

[54] SNOW-CUTTING MACHINE

[56] References Cited

[75] Inventor: Louis L. LePoix, Baden-Baden

U.S. PATENT DOCUMENTS

- D. 201,451 6/1965 Graham ..... D15/25
- D. 234,533 3/1975 Kimzey et al. .... D32/16
- D. 253,174 10/1979 Mason ..... D15/12

[73] Assignee: Ing. Alfred Schmidt GmbH, St. Blasien, Fed. Rep. of Germany

Primary Examiner—A. Hugo Word  
Assistant Examiner—Ruth McInroy  
Attorney, Agent, or Firm—Cushman, Darby & Cushman

[\*\*] Term: 14 Years

[57] CLAIM

[21] Appl. No.: 137,135

The ornamental design for snow cutting machine, as shown and described.

[22] Filed: Dec. 23, 1987

DESCRIPTION

[30] Foreign Application Priority Data

Jun. 24, 1987 [DE] Fed. Rep. of Germany ..... AZ 2  
REG686/87

FIG. 1 is a left side elevational view of a snow cutting machine showing my new design; the right side being a mirror image;

FIG. 2 is a front elevational view thereof;

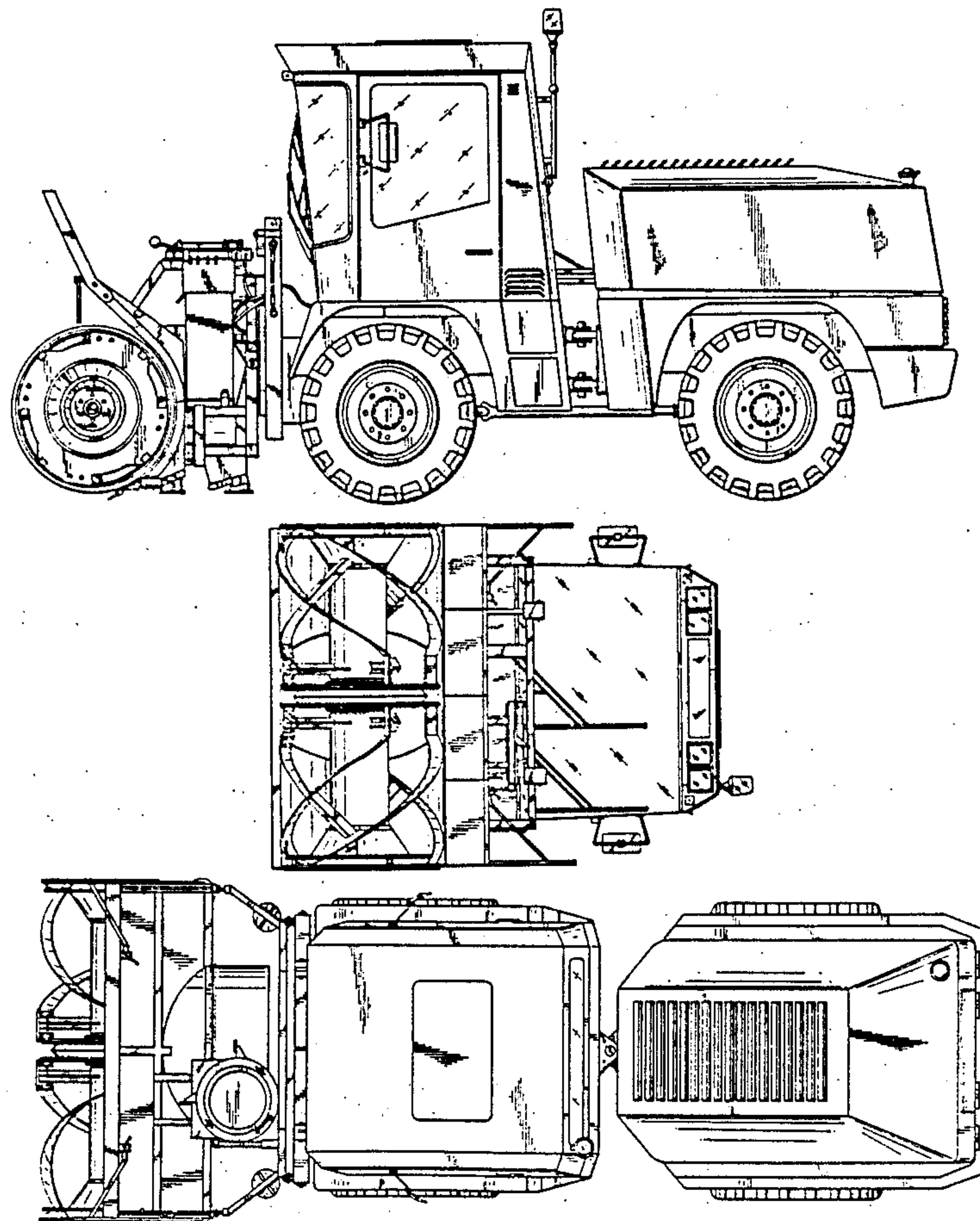
FIG. 3 is a rear elevational view thereof;

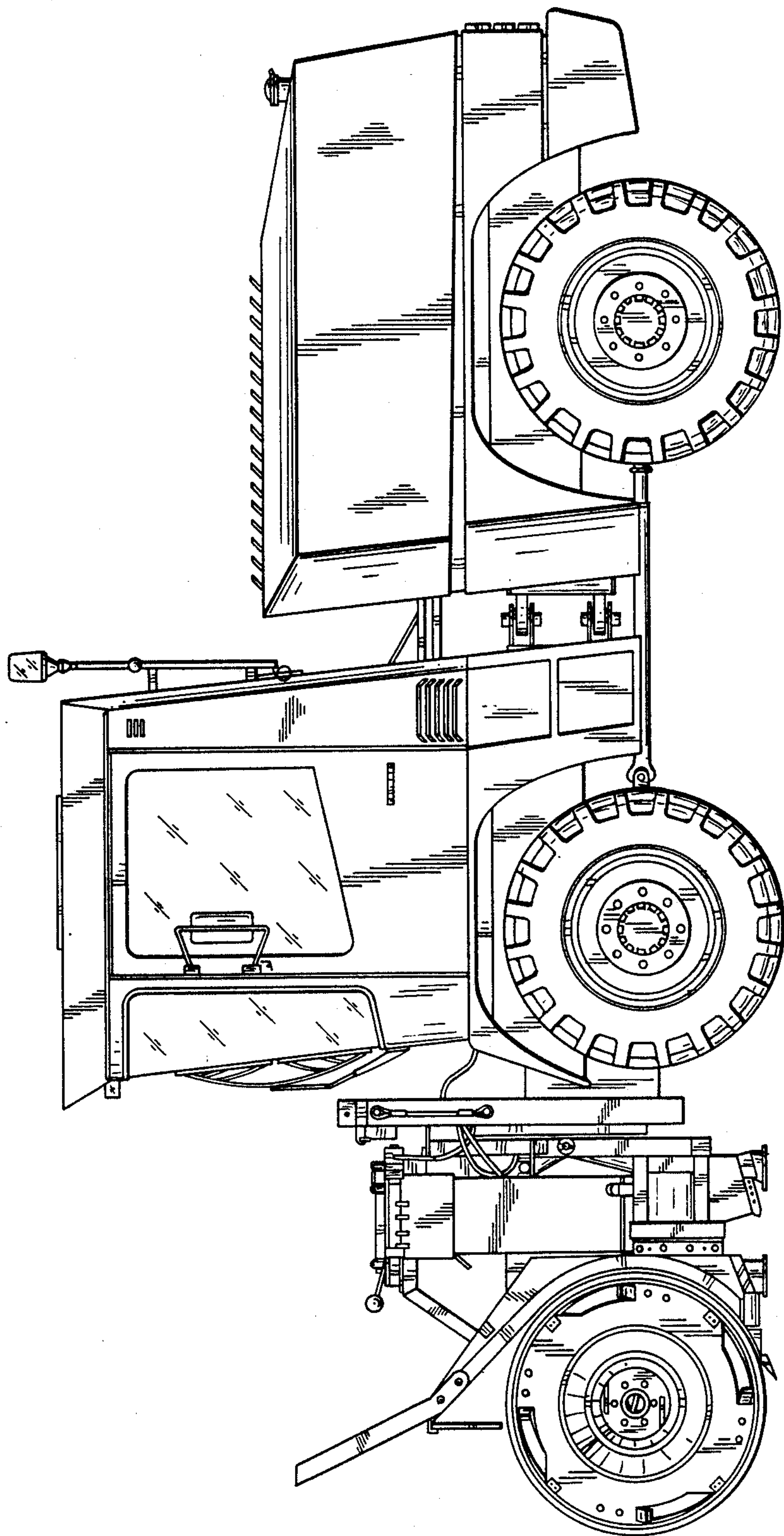
FIG. 4 is a top plan view thereof; and

FIG. 5 is a top plan view thereof in an alternate position.

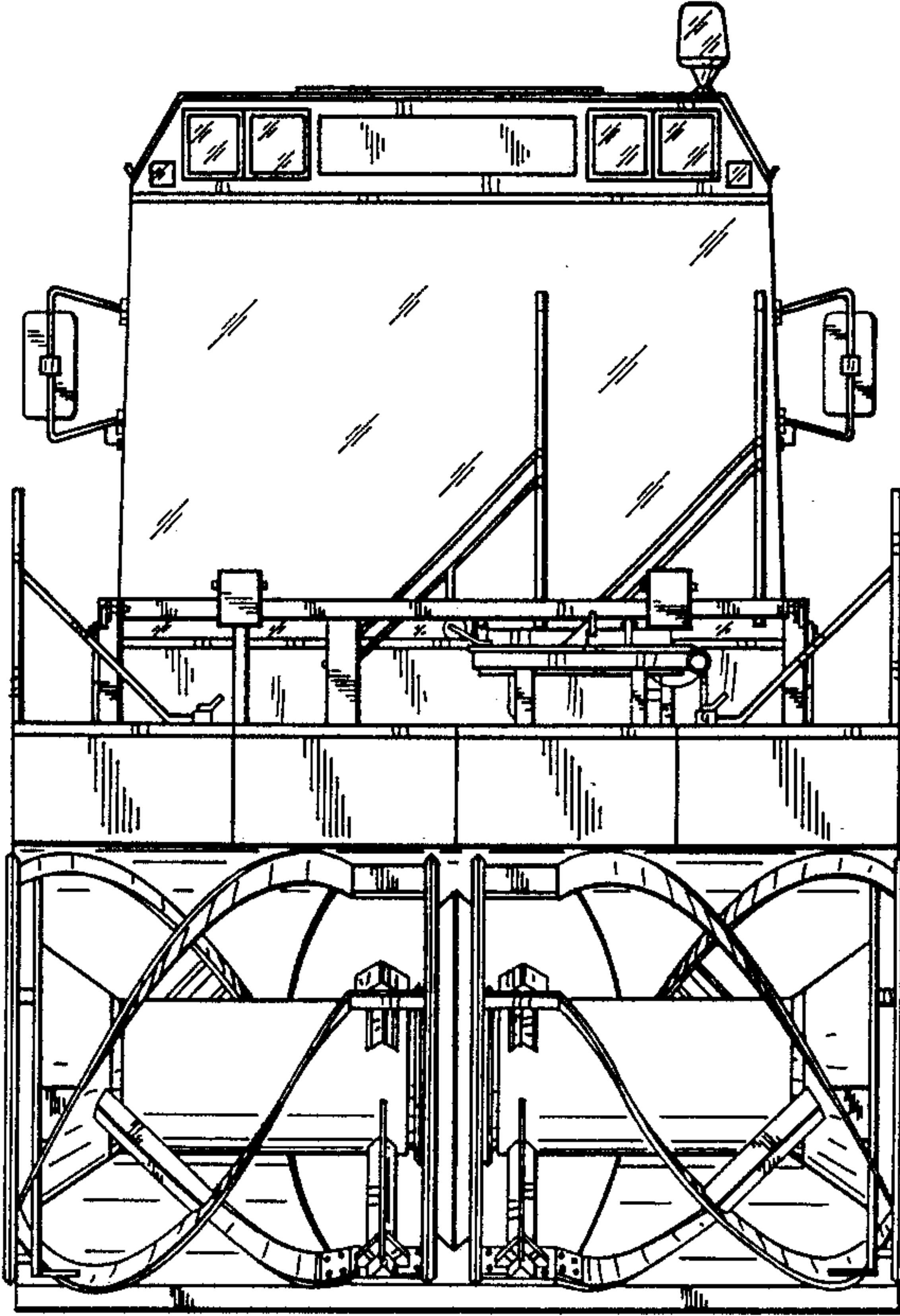
[52] U.S. Cl. .... D15/11

[58] Field of Search ..... D15/10-12,  
D15/23, 25-26; 37/235, 264, 266, 270



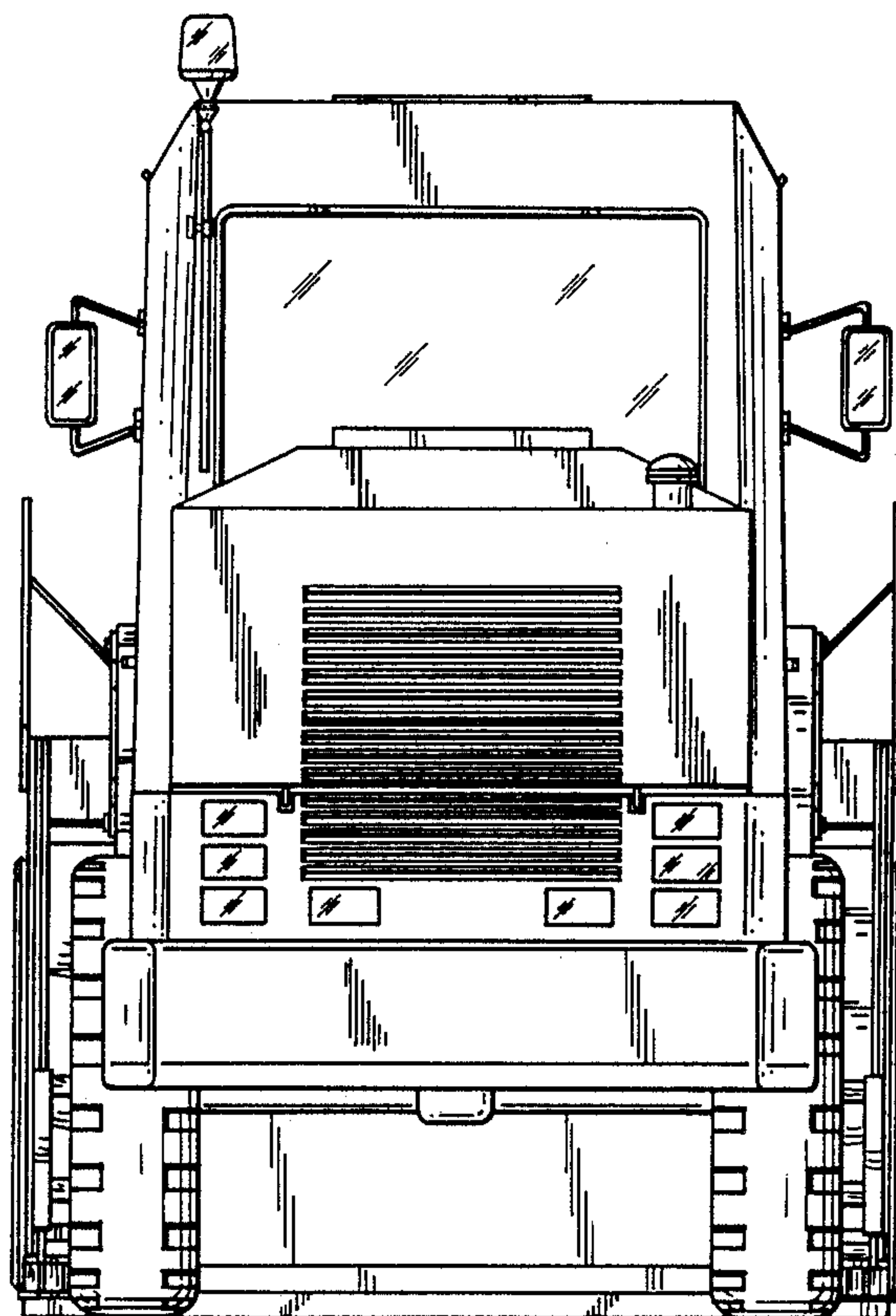


**Fig. 1**

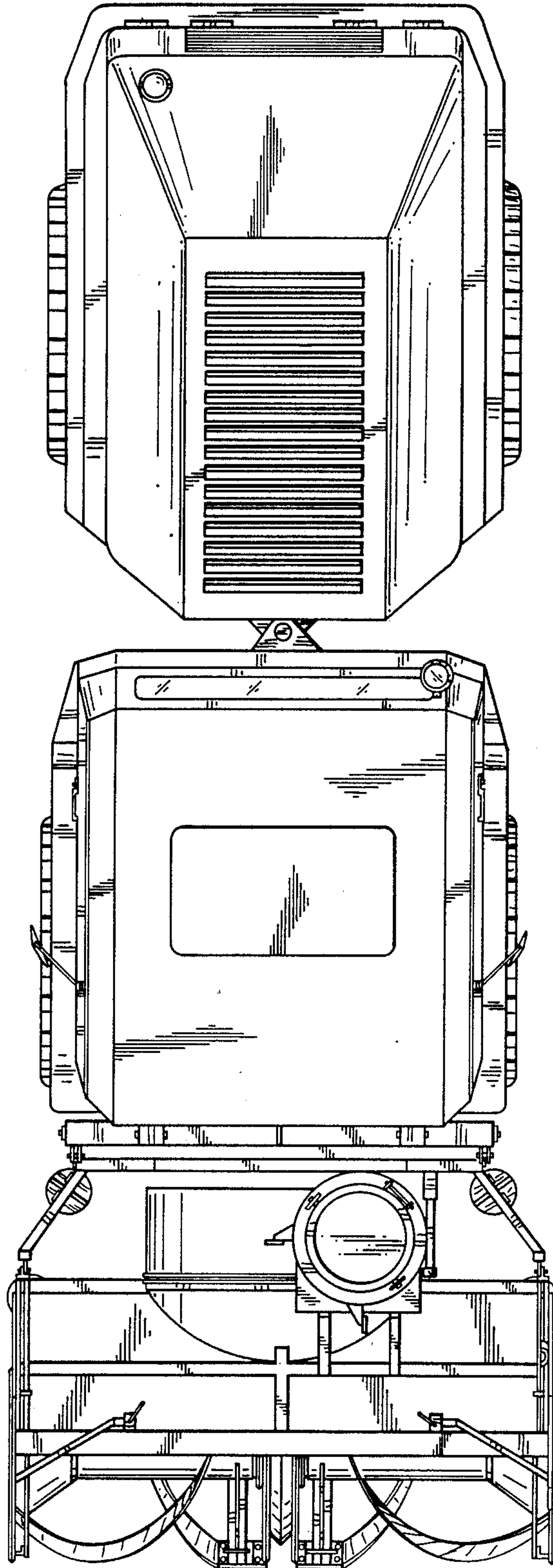


**Fig. 2**

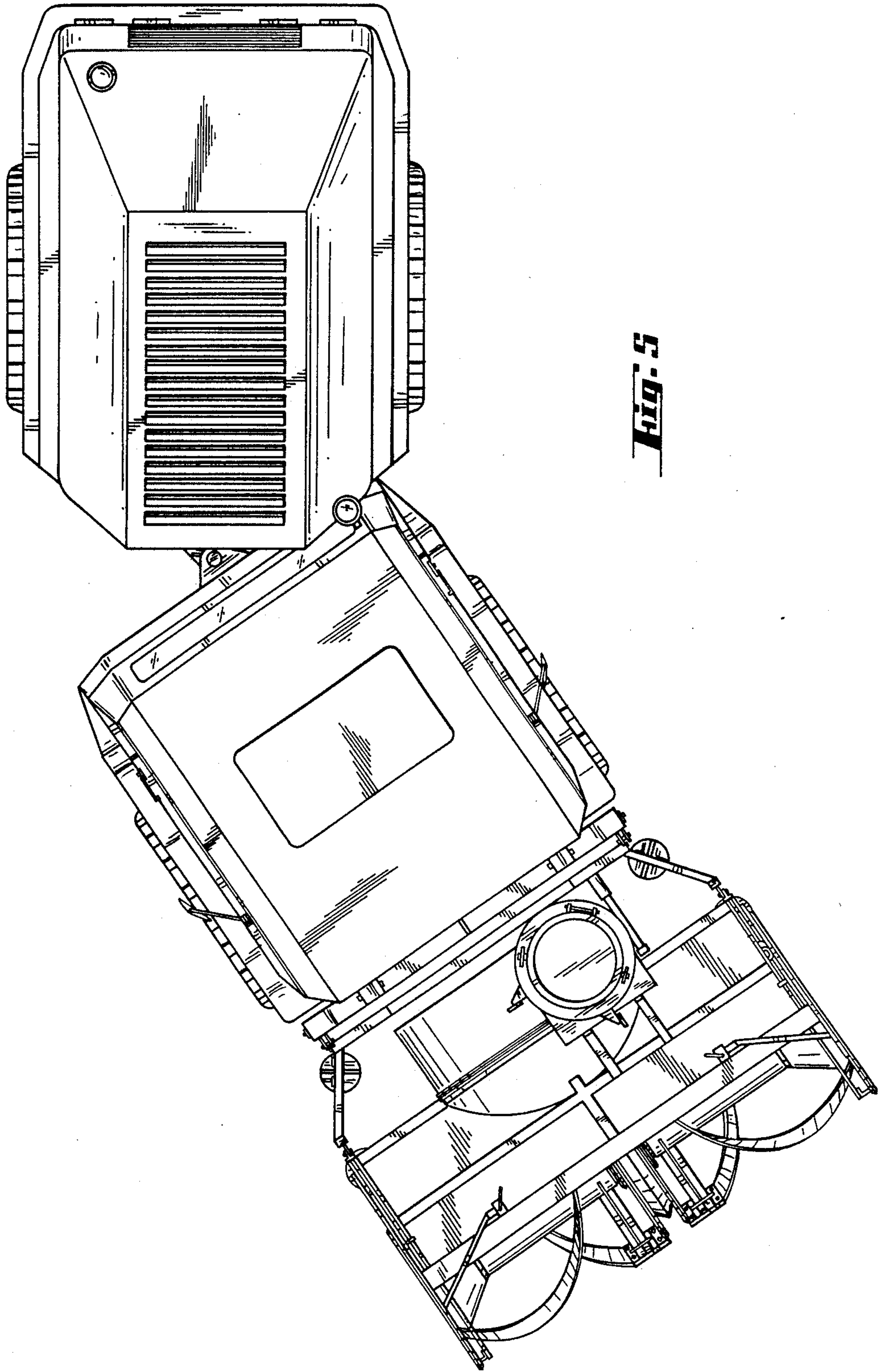




***Fig. 3***



**Fig. 4**



**Fig. 5**