

[54] TRANSCEIVER

[75] Inventors: Ichiro Hino, Yokohama; Toshihisa Yokoi, Tokyo, both of Japan

[73] Assignee: Sony Corporation, Tokyo, Japan

[**] Term: 14 Years

[21] Appl. No.: 289,769

[22] Filed: Dec. 27, 1988

[30] Foreign Application Priority Data

Aug. 15, 1988 [JP] Japan 63-32536

[52] U.S. Cl. D14/137; D14/192

[58] Field of Search D14/124, 137-139, D14/157, 159, 191, 218, 251, 257-258, 299, 192; D21/111, 113; 446/26; D10/30, 31, 33; 455/73, 89, 90, 351

[56] References Cited

U.S. PATENT DOCUMENTS

D. 246,104	10/1977	Vong	D14/192
D. 279,671	7/1985	Stanton	D14/192
2,064,603	12/1936	Harrison	446/26 X
2,805,326	9/1957	Schwartz	446/26 X
4,589,660	5/1986	Tsuzuki	446/26 X

OTHER PUBLICATIONS

HFD; 09/14/87; p. 111; top left-My First Sony Products.

Hong Kong Enterprise; 3/85; p. 328; top left-Combined Wristwatch and Radio.

Hong Kong Toys '87; p. 145; bottom right-"Wrist Talkie".

Primary Examiner-Theodore M. Shooman

Attorney, Agent, or Firm-Lewis H. Eslinger; Jay H. Maioli

[57] CLAIM

The ornamental design for a transceiver, as shown and described.

DESCRIPTION

FIG. 1 is a top, front, and right-side perspective view of a transceiver, showing our new design;

FIG. 2 is a front elevational view thereof;

FIG. 3 is a rear elevational view thereof;

FIG. 4 is a left-side elevational view thereof;

FIG. 5 is a right-side elevational view thereof;

FIG. 6 is a top plan view thereof; and

FIG. 7 is a bottom plan view thereof.

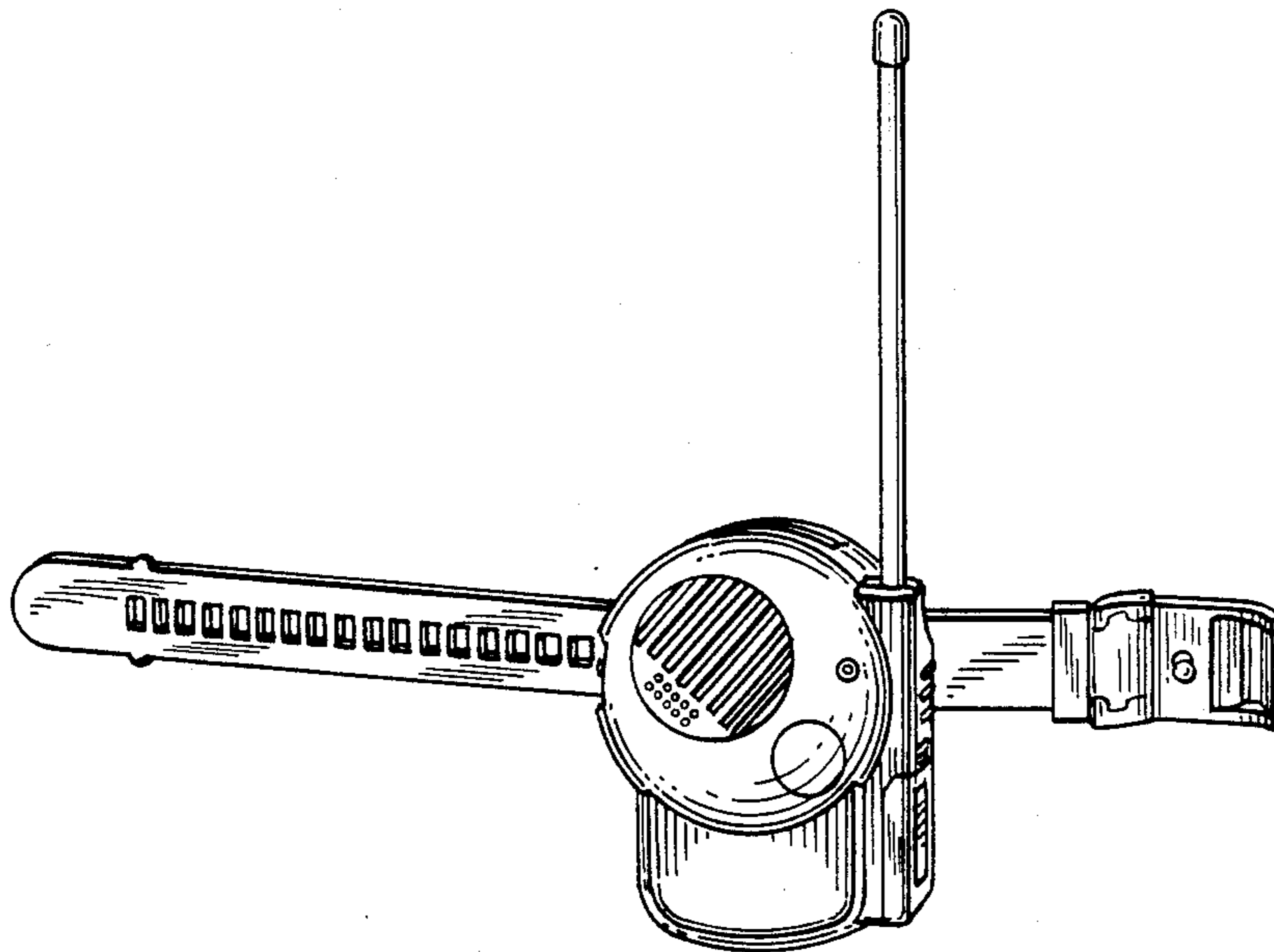


FIG. 1

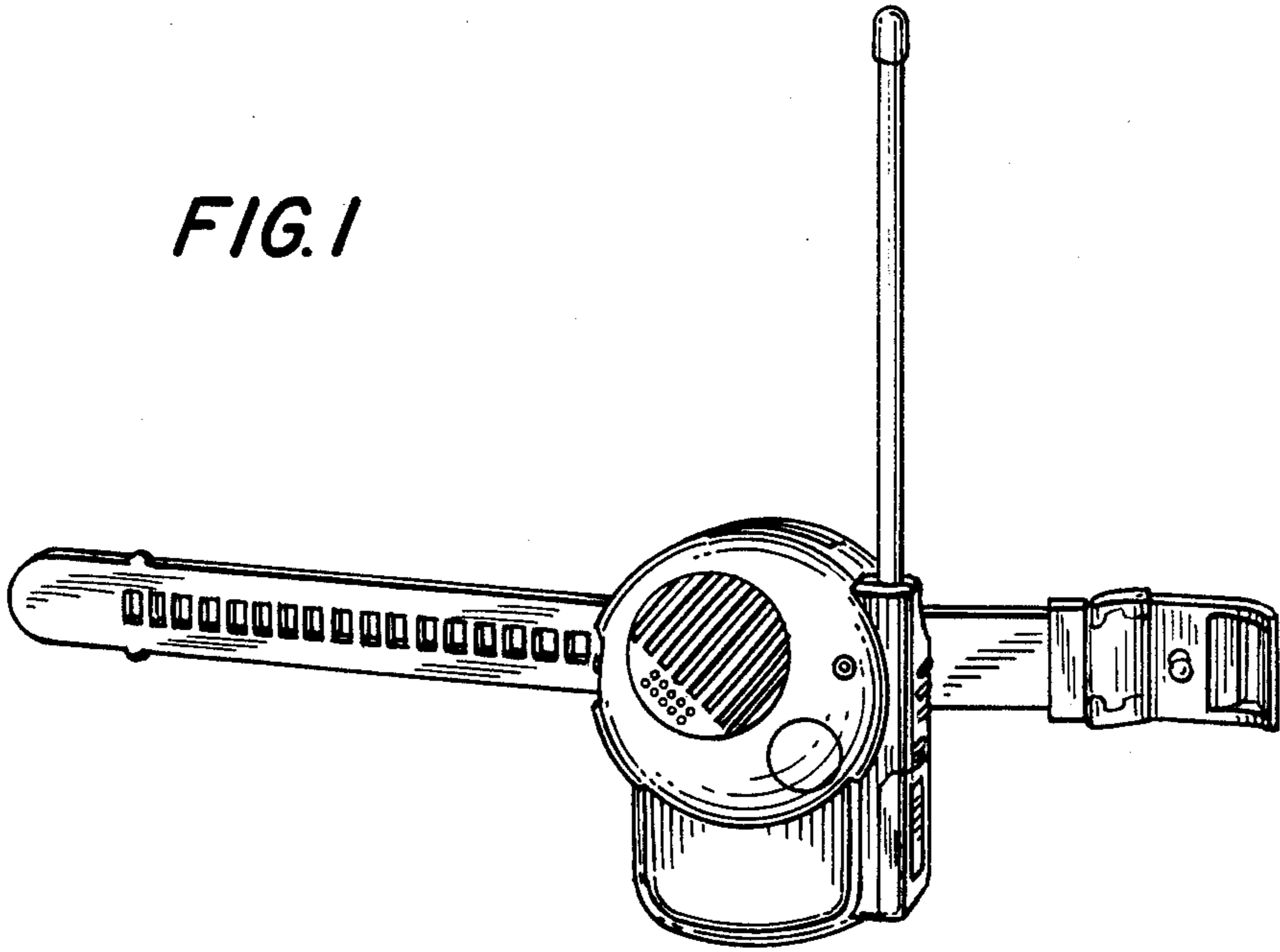
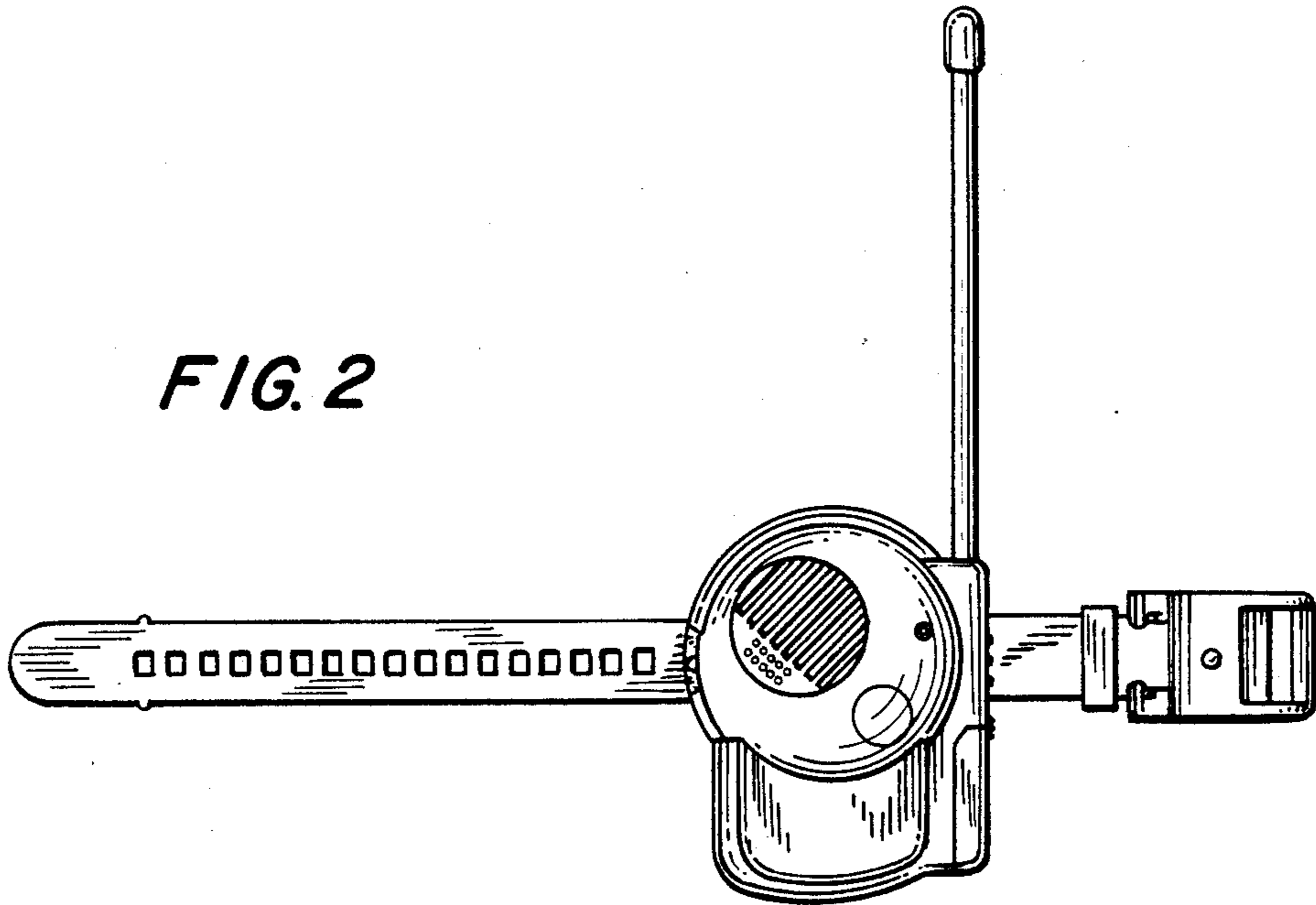


FIG. 2



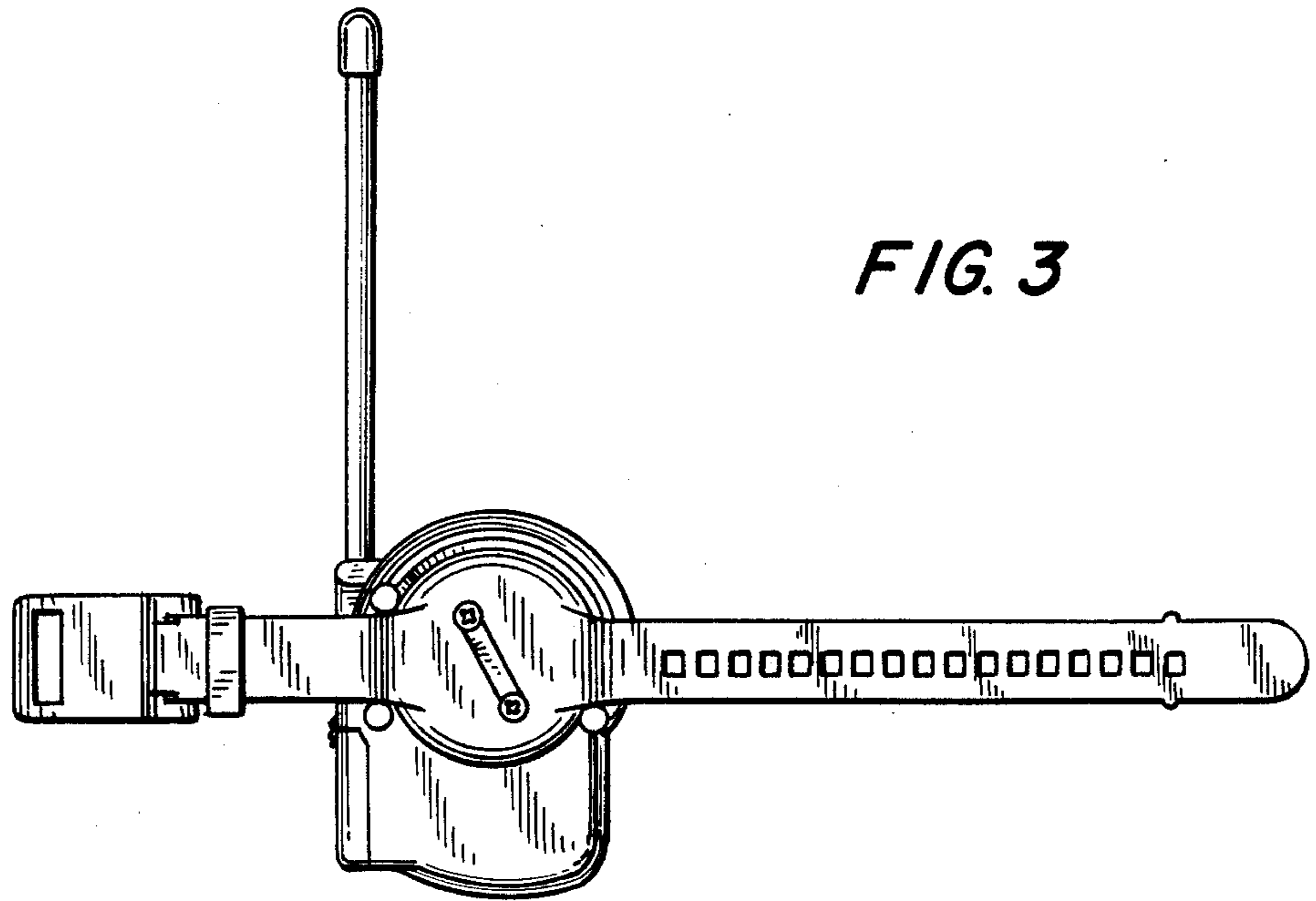


FIG. 3

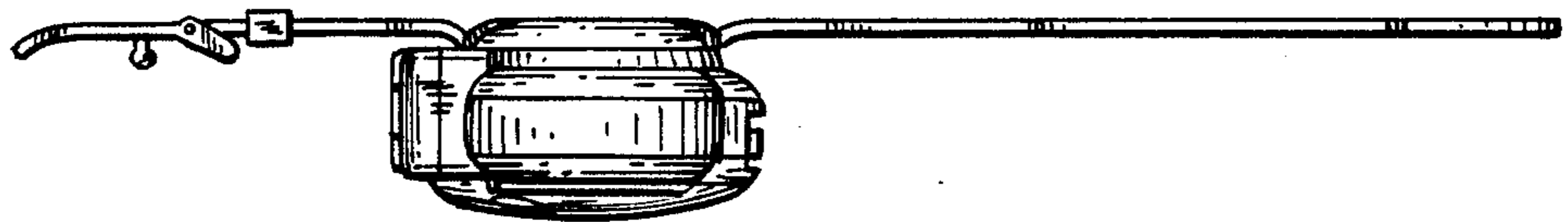


FIG. 7

FIG. 6

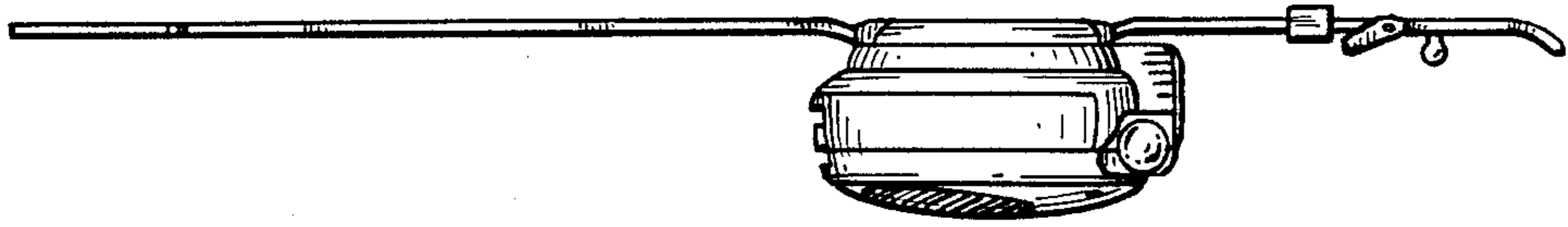


FIG. 4

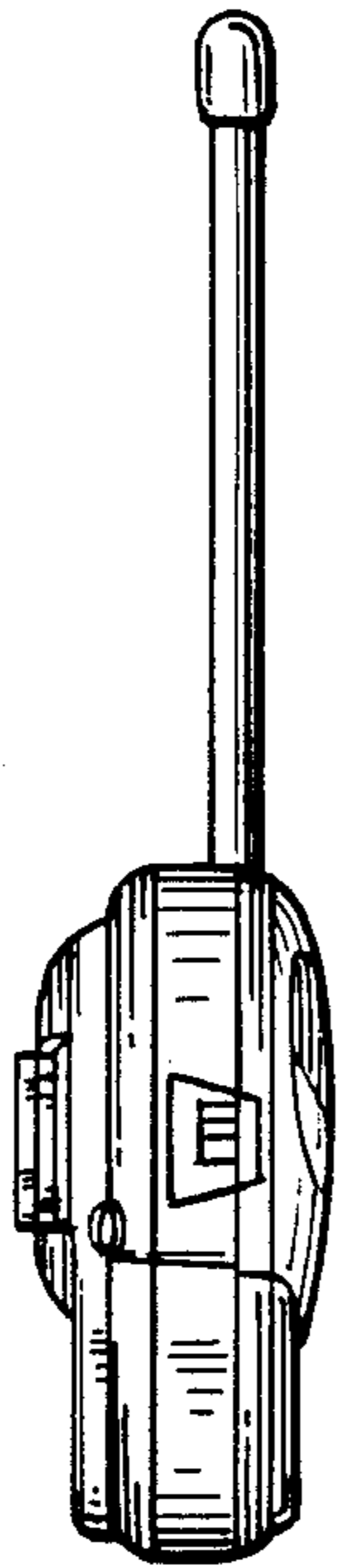


FIG. 5

