

[54] BRACKET FOR SUSPENDING A FILTER IN FRONT OF A VIDEO MONITOR SCREEN

[75] Inventor: Paul R. Bedard, Oakville, Canada

[73] Assignee: Fellowes Manufacturing Inc., Itasca, Ill.

[\*\*] Term: 14 Years

[21] Appl. No.: 82,693

[22] Filed: Aug. 7, 1987

[52] U.S. Cl. .... D14/114; D8/373

[58] Field of Search ..... D14/100, 113, 114, 116; D8/373, 380, 381, 382; D18/7; 235/435, 462, 467, 440, 470-473, 482, 484, 486; 358/64, 231, 250, 252, 248, 249, 254; 248/917-925, 475.1, 300, 121, 122, 123.1, 126, 176, 201, 277, 678

[56] References Cited

U.S. PATENT DOCUMENTS

- D. 257,038 9/1980 Leblanc ..... D14/114
- 3,031,526 4/1962 Oberstein ..... 358/252 X
- 4,051,535 9/1977 Inglis ..... 358/250 X
- 4,084,778 4/1978 Dominguez ..... 248/300 X

- 4,415,932 11/1983 Rogers ..... 358/248 X
- 4,529,268 7/1985 Brown ..... D14/106 X
- 4,633,322 12/1986 Fourny ..... 358/252
- 4,712,870 12/1987 Robinson et al. .... 358/250 X

FOREIGN PATENT DOCUMENTS

- 623855 5/1949 United Kingdom ..... 248/300

Primary Examiner—Susan J. Lucas

Assistant Examiner—Freda S. Nunn

Attorney, Agent, or Firm—Rogers & Scott

[57] CLAIM

The ornamental design for a bracket for suspending a filter in front of a video monitor screen, as shown and described.

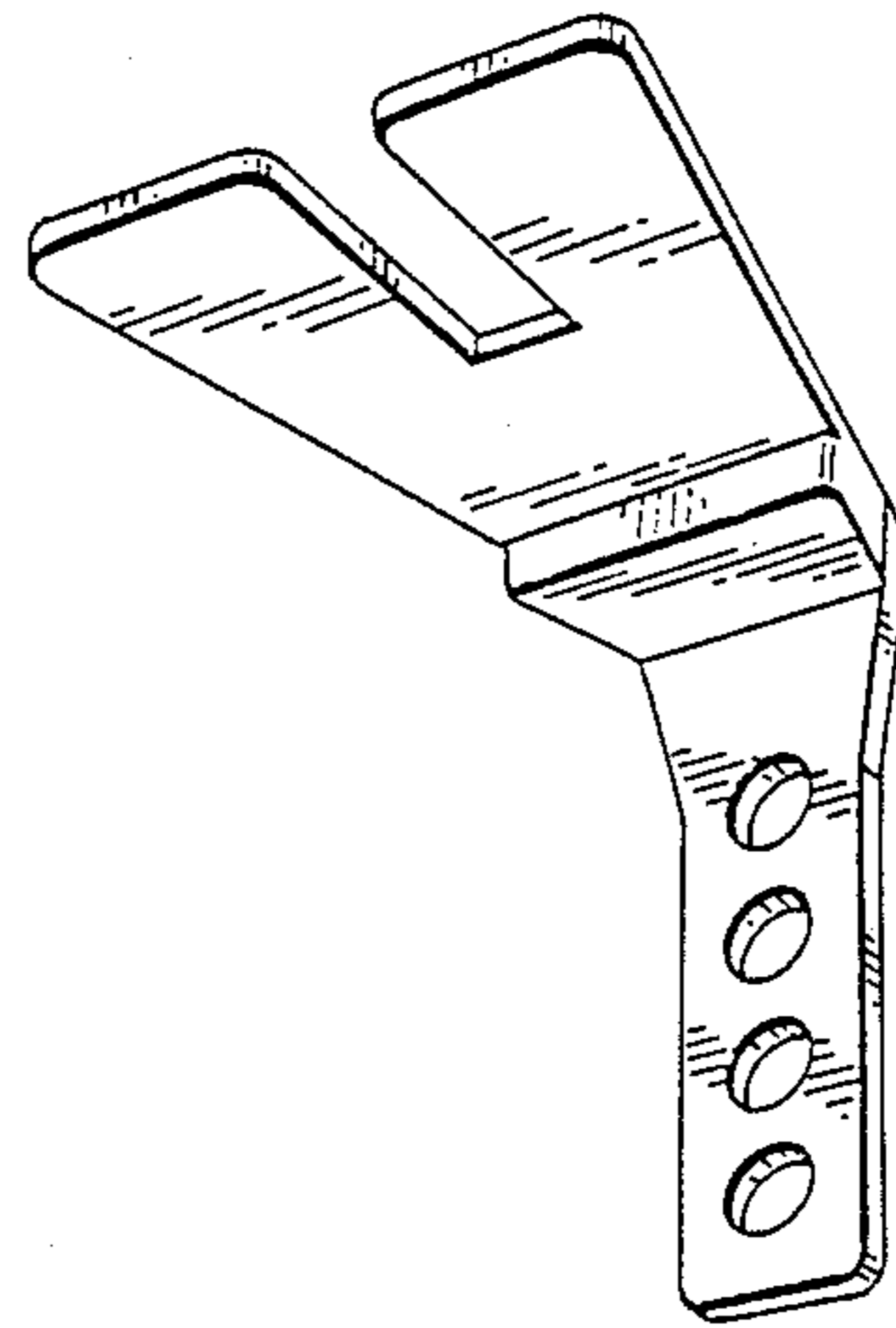
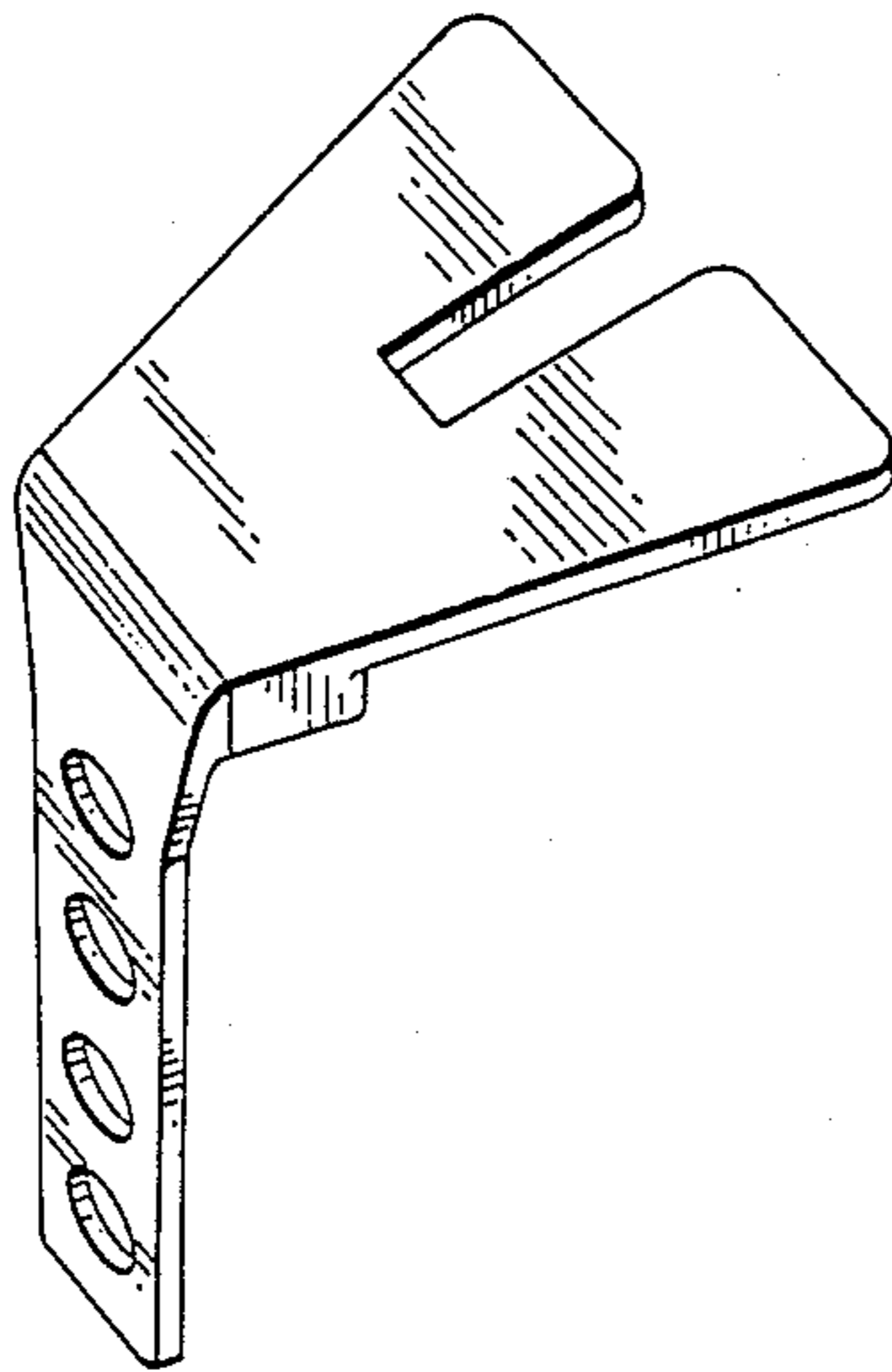
DESCRIPTION

FIG. 1 is a top perspective view of a bracket for suspending a filter in front of a video monitor screen showing my new design;

FIG. 2 is a bottom perspective view thereof;

FIG. 3 is a top plan view thereof;

FIG. 4 is a right side elevational view thereof, the left side elevational view being a mirror image.



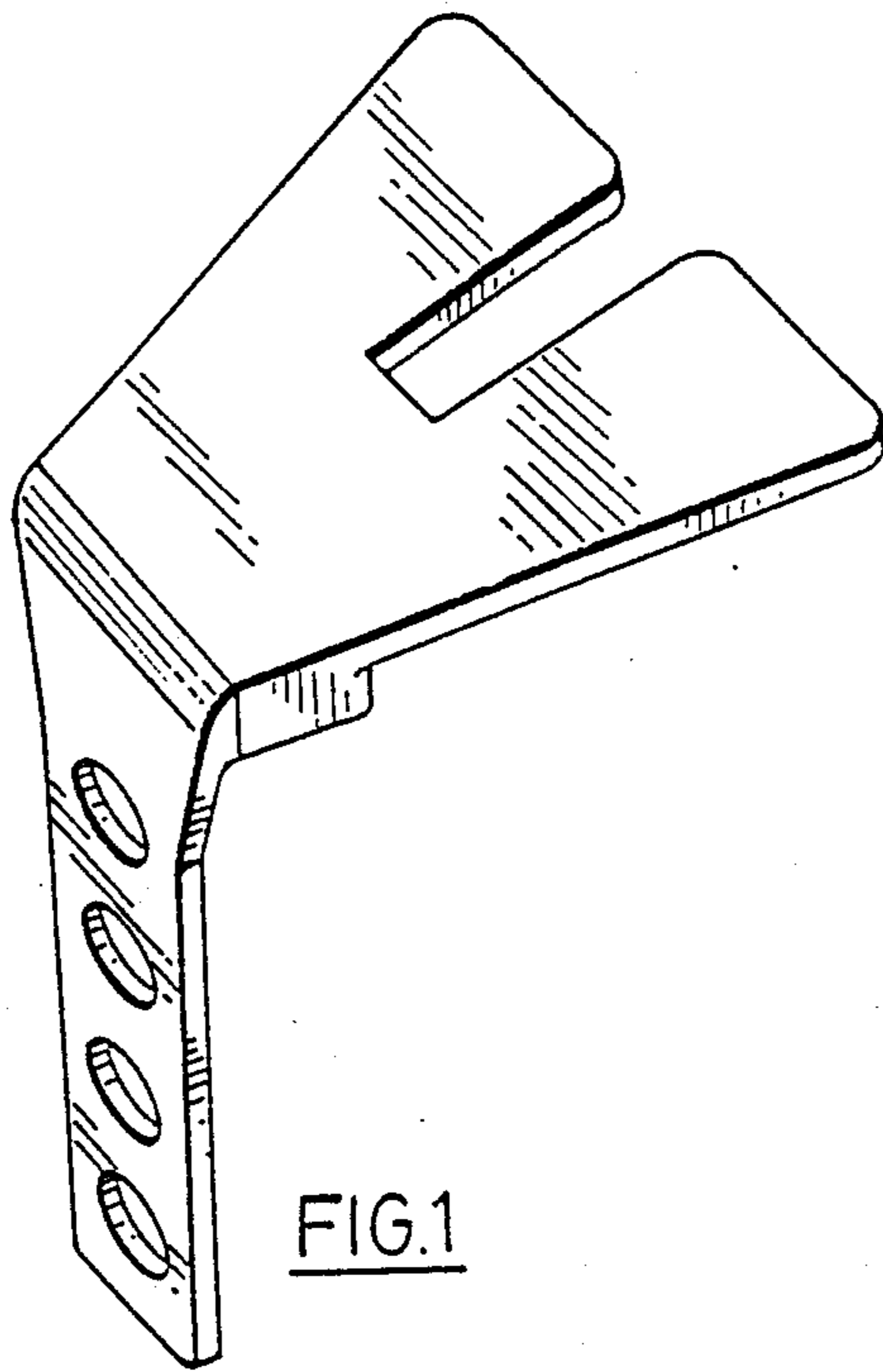


FIG. 1

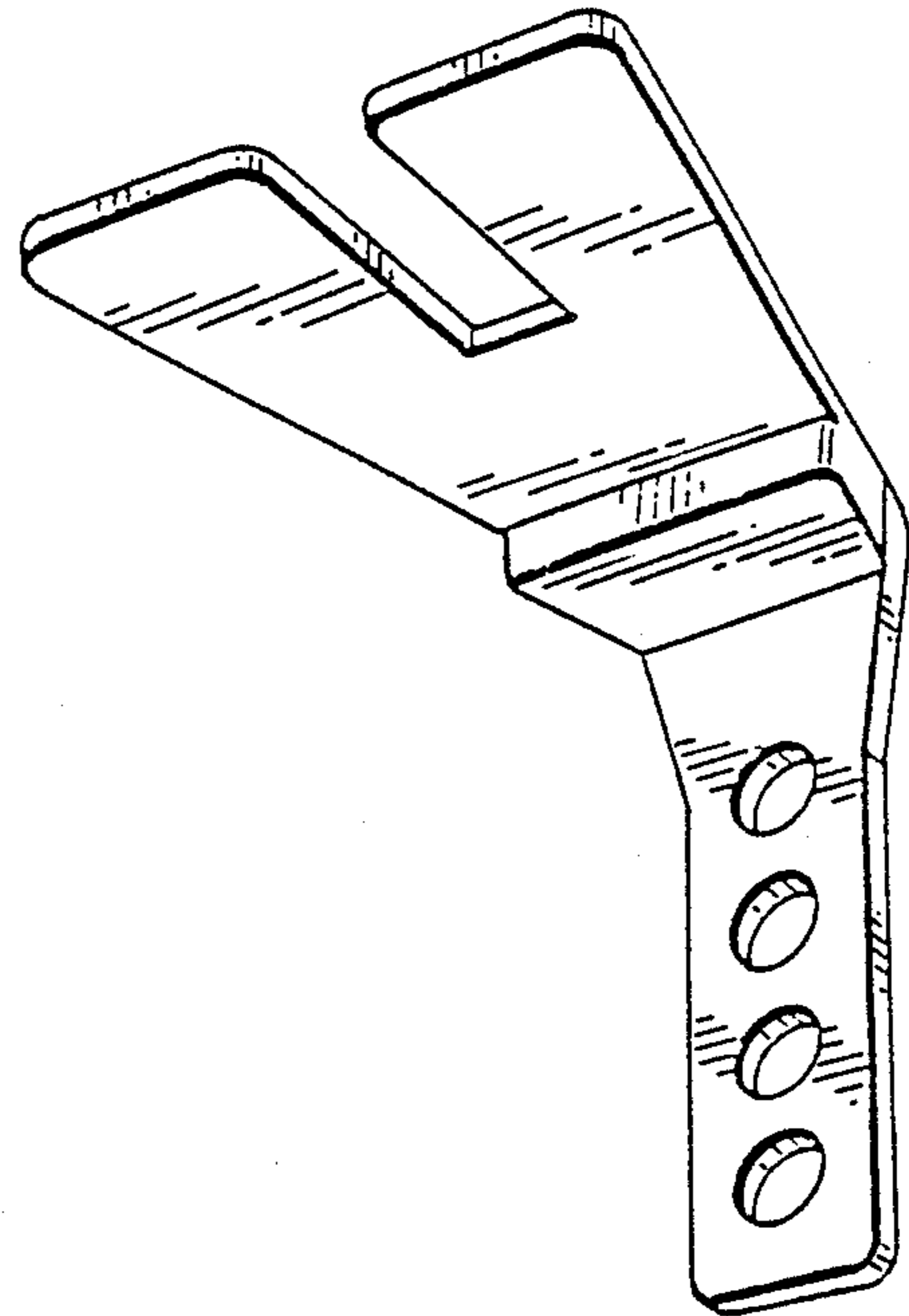


FIG. 2

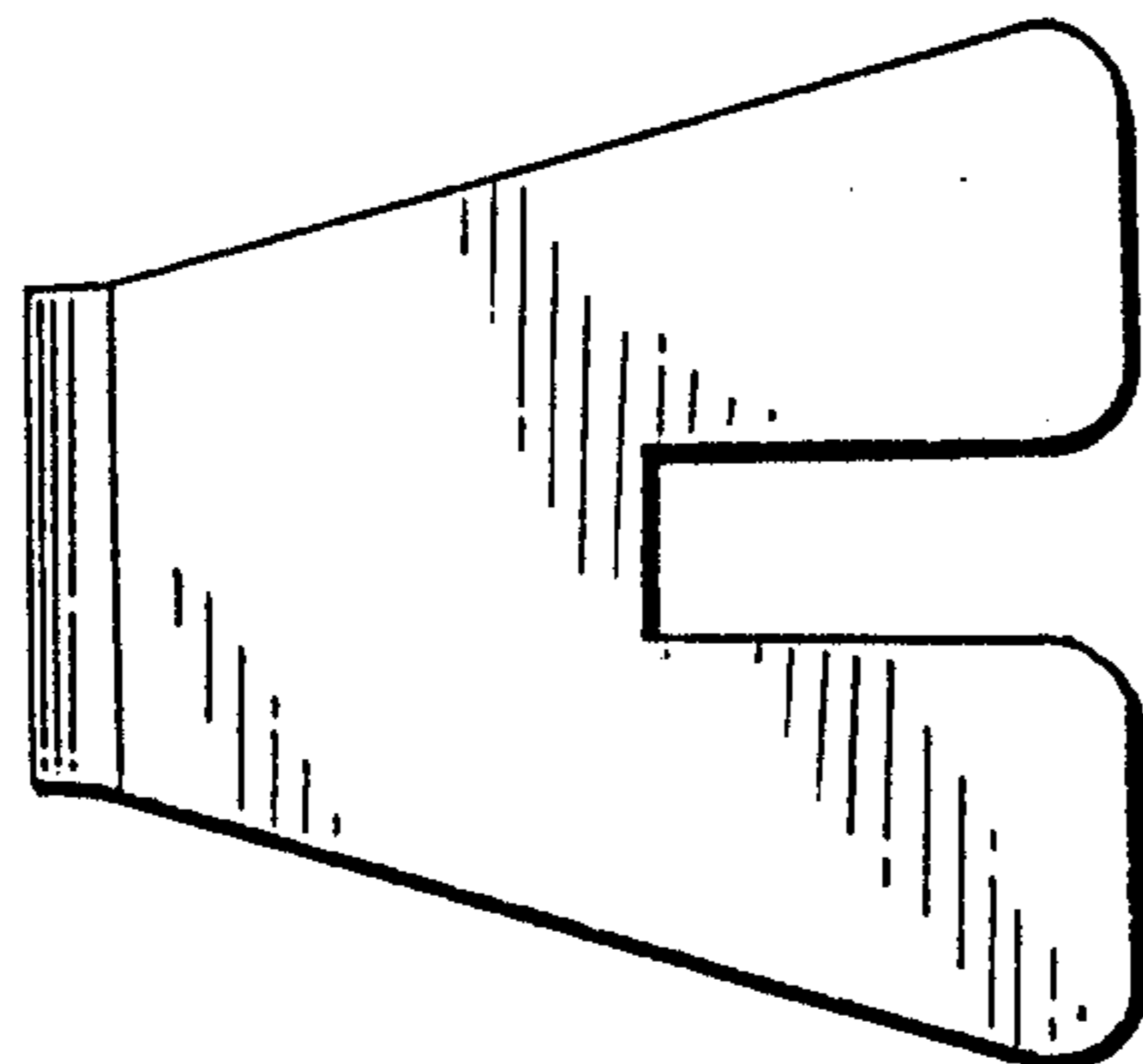


FIG. 3

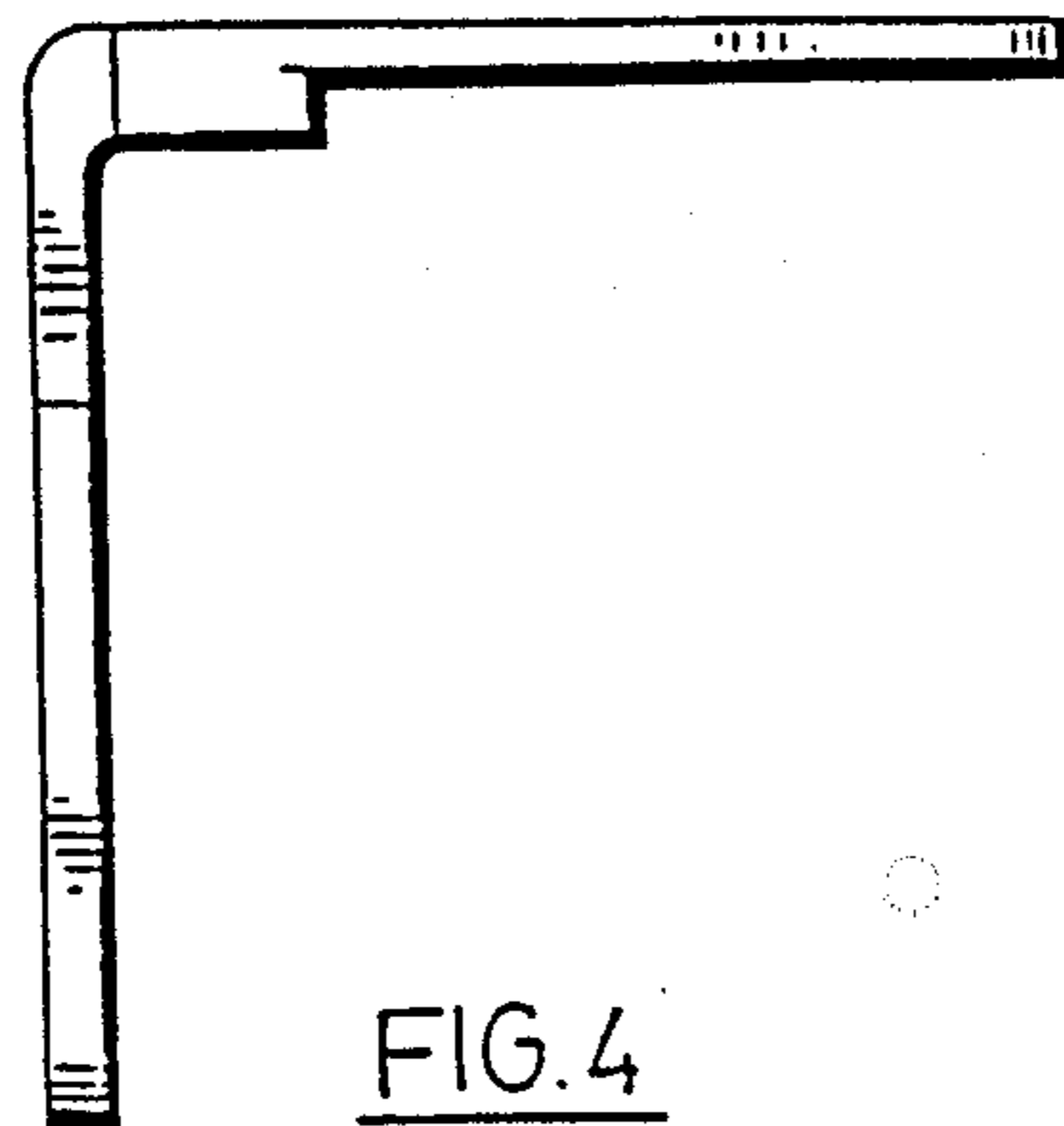


FIG. 4