

[54] CONNECTOR SOCKET

4,611,878 9/1986 Hall et al. D13/24 X

[75] Inventor: Kyousuke Tajima, Gunma, Japan

[73] Assignee: Hosiden Electronics Co., Ltd., Osaka, Japan

[**] Term: 14 Years

[21] Appl. No.: 155,938

[22] Filed: Feb. 16, 1988

[30] Foreign Application Priority Data

Aug. 19, 1987 [JP] Japan 62-33737

[52] U.S. Cl. D13/146

[58] Field of Search D13/24, 30; 439/660, 439/682, 685, 680

[56] References Cited

U.S. PATENT DOCUMENTS

- D. 286,281 10/1986 Sekiguchi D13/24
- D. 298,312 11/1988 Sekiguchi D13/24

OTHER PUBLICATIONS

Connector socket TCS7934, on page p. 12 of Hosiden, 11-87 Catalog.

Primary Examiner—Susan J. Lucas
Assistant Examiner—Joel Sincavage
Attorney, Agent, or Firm—Pollock, Vande Sande and Priddy

[57] CLAIM

The ornamental design for a connector socket, as shown and described.

DESCRIPTION

FIG. 1 is a top, front and left side perspective view of a connector socket showing my new design; FIG. 2 is a front elevational view thereof; FIG. 3 is a rear elevational view thereof; FIG. 4 is a right side elevational view thereof; FIG. 5 is a top plan view thereof; and FIG. 6 is a bottom plan view thereof.

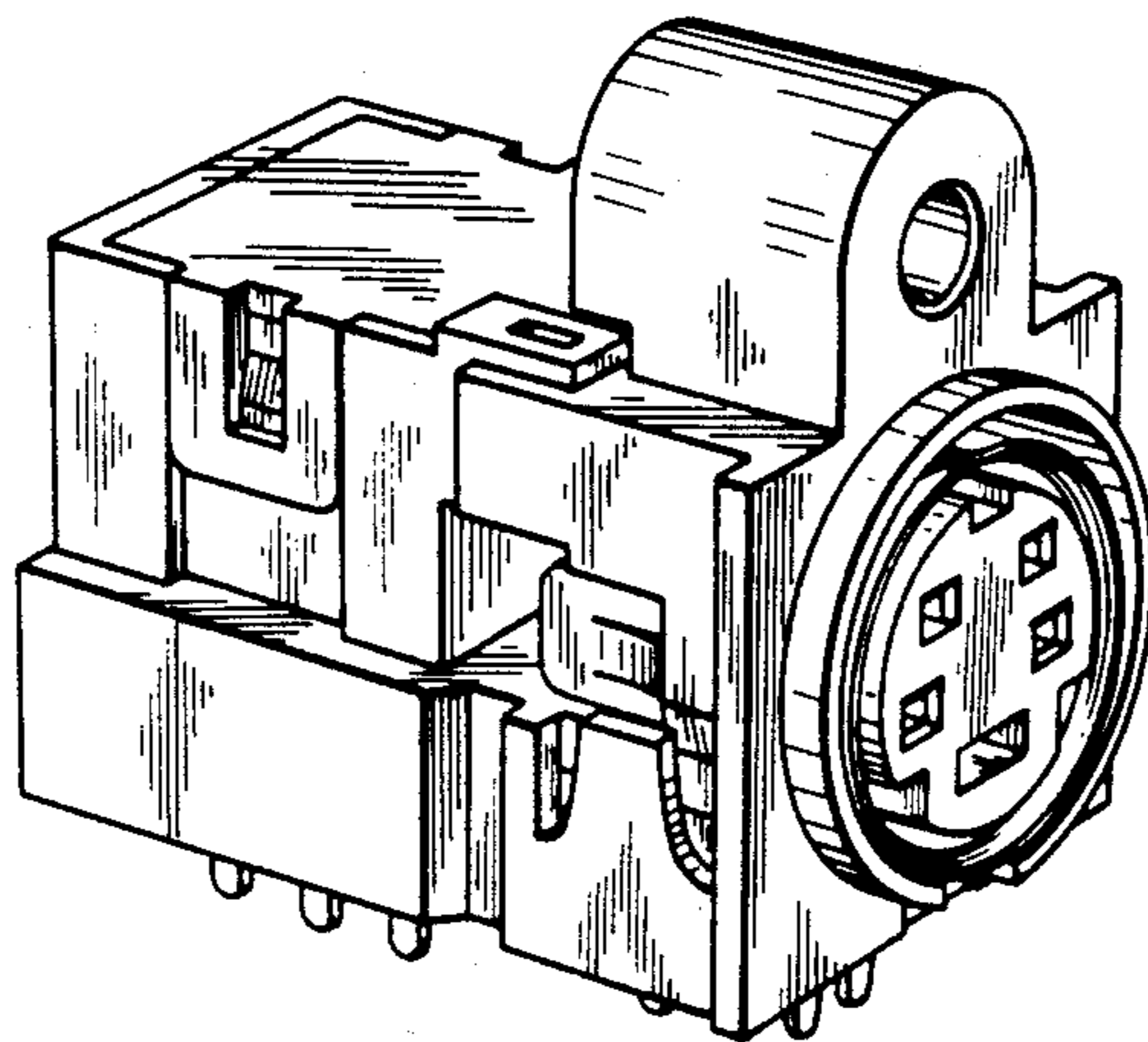


FIG. 1

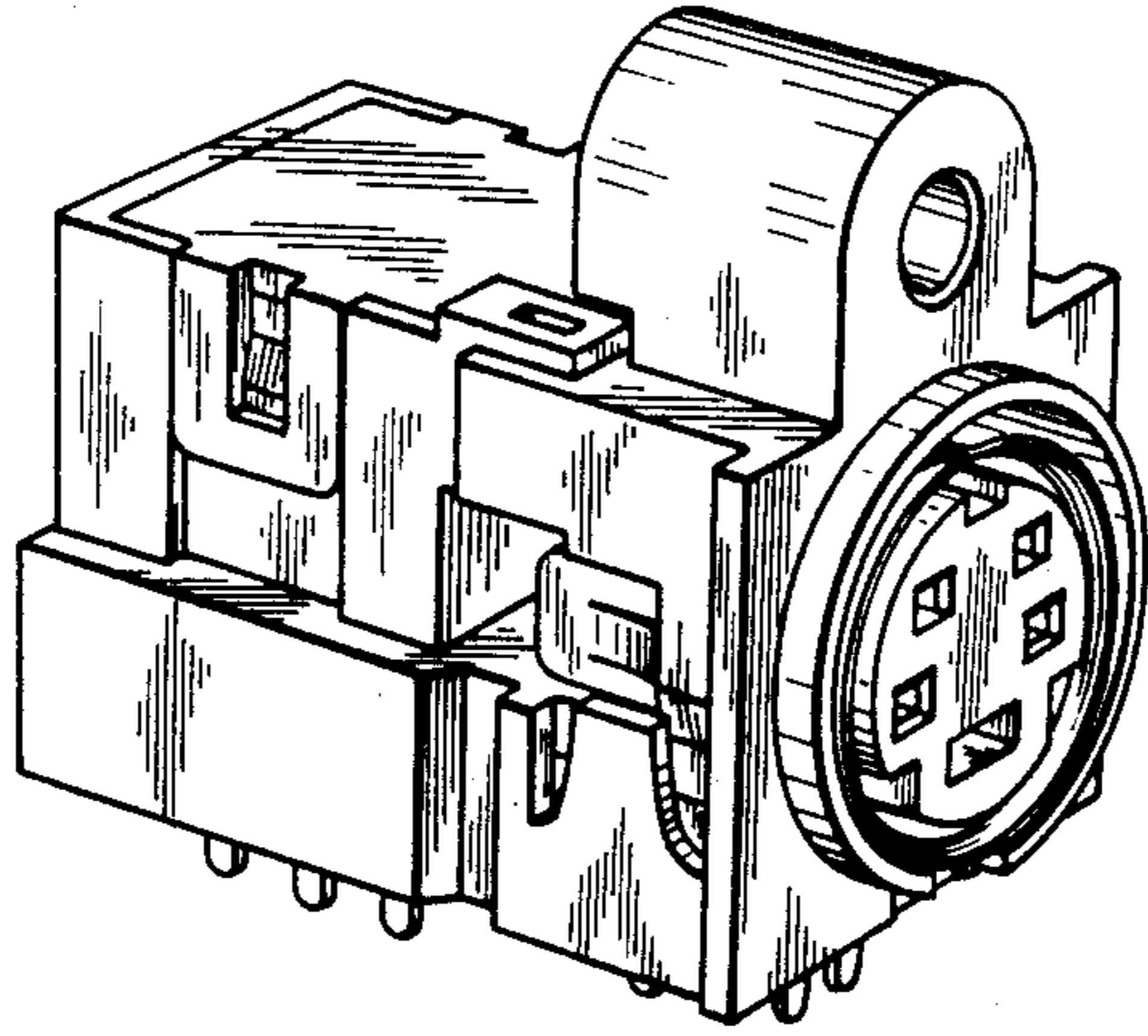


FIG. 2

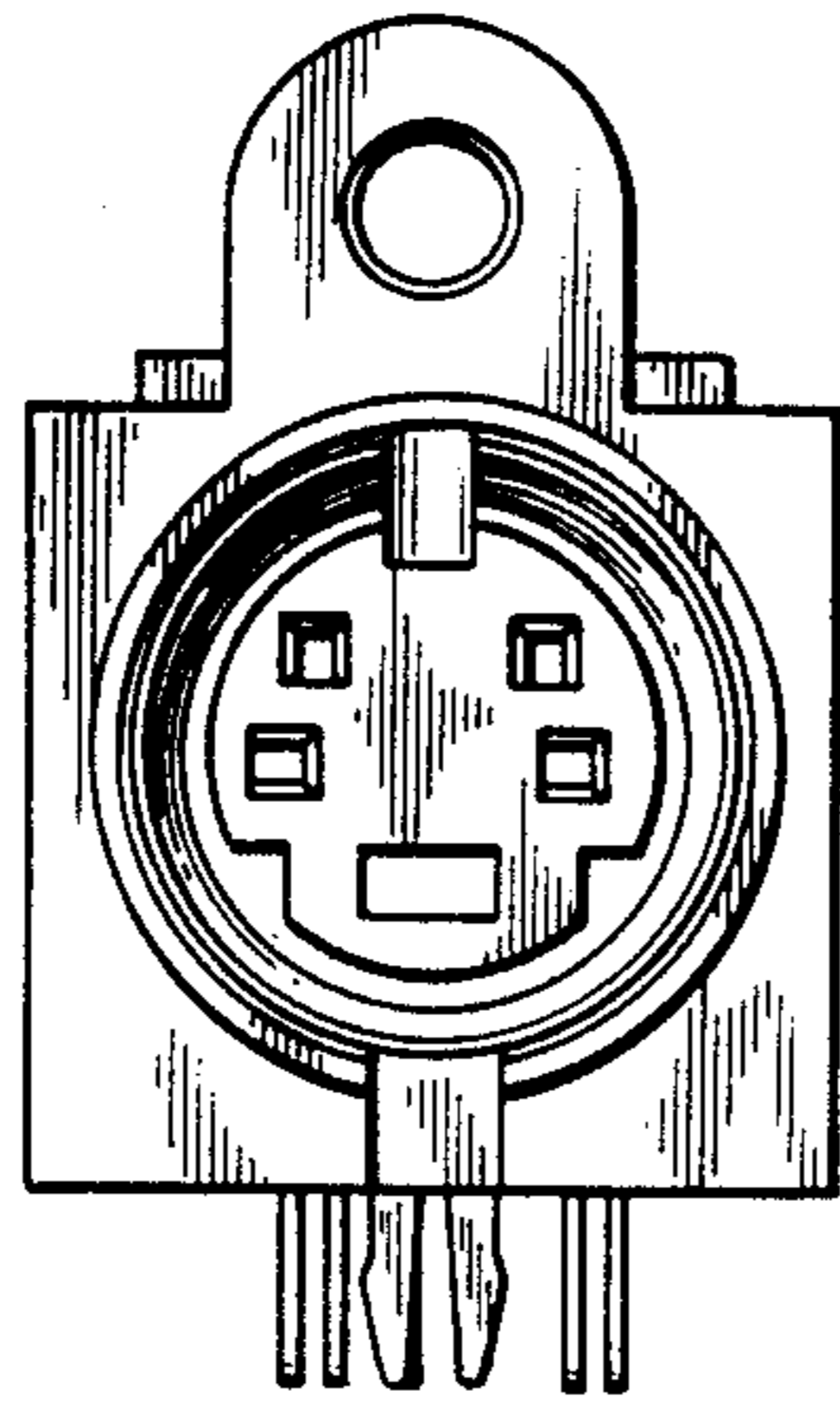


FIG. 3

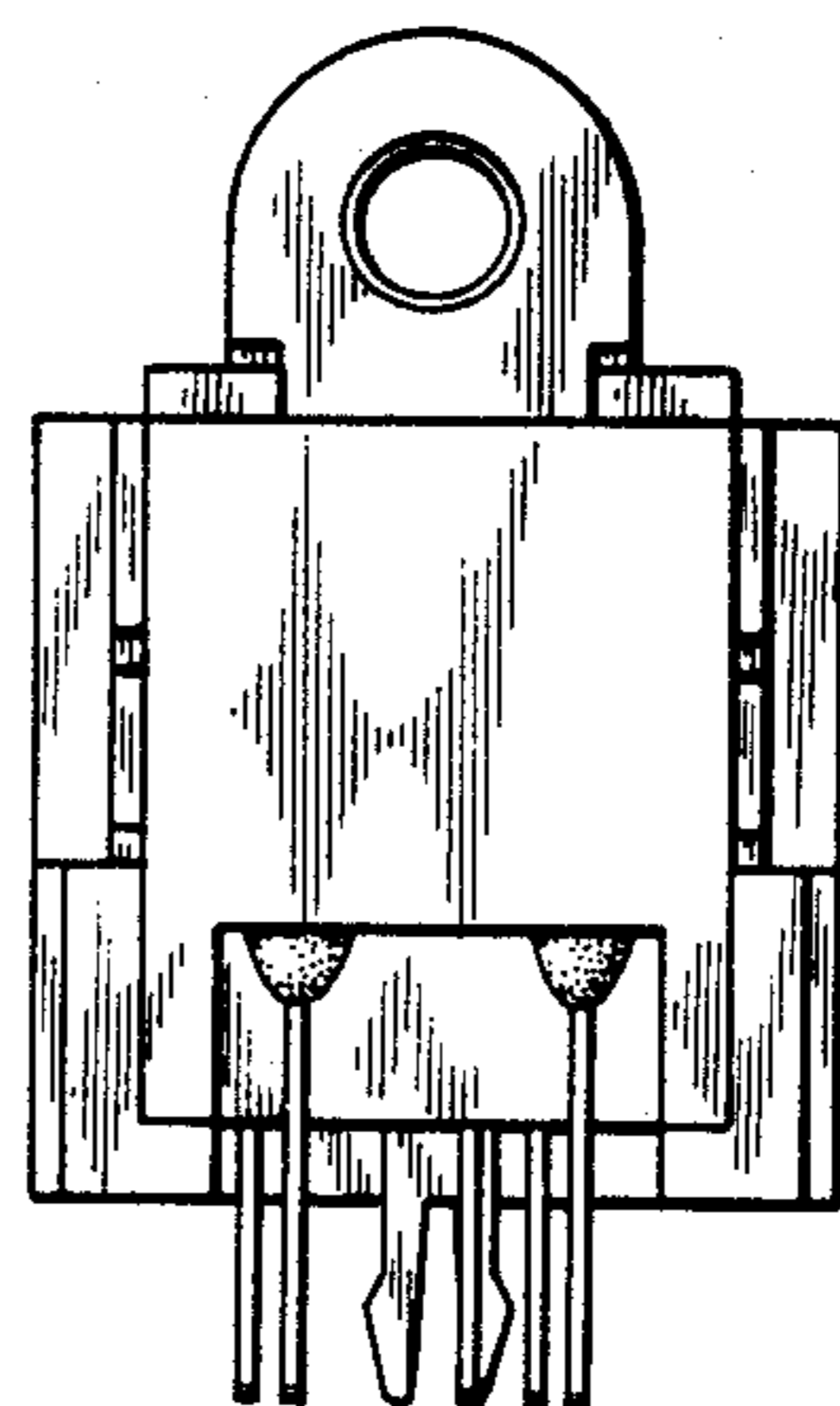


FIG. 4

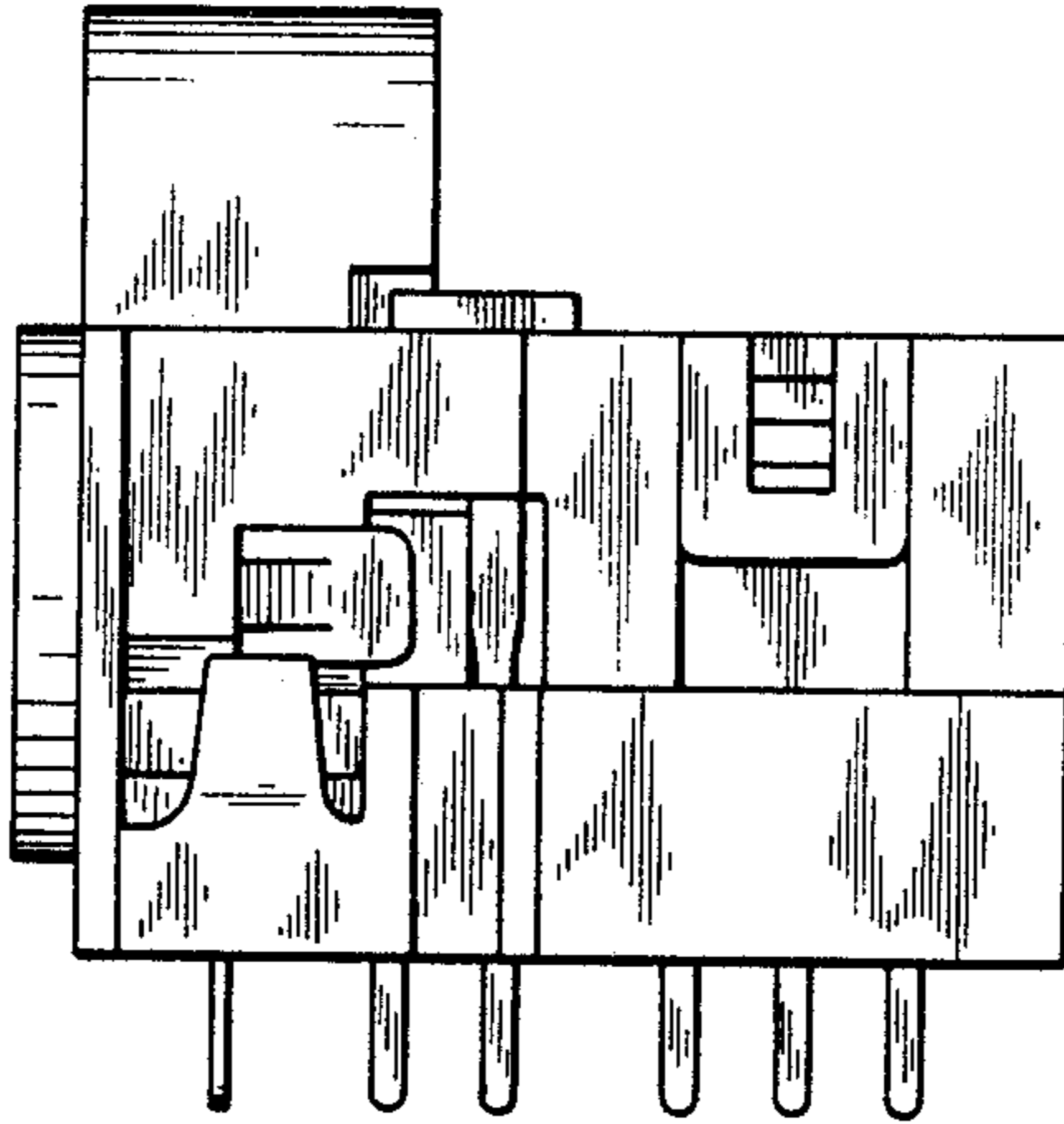


FIG. 5

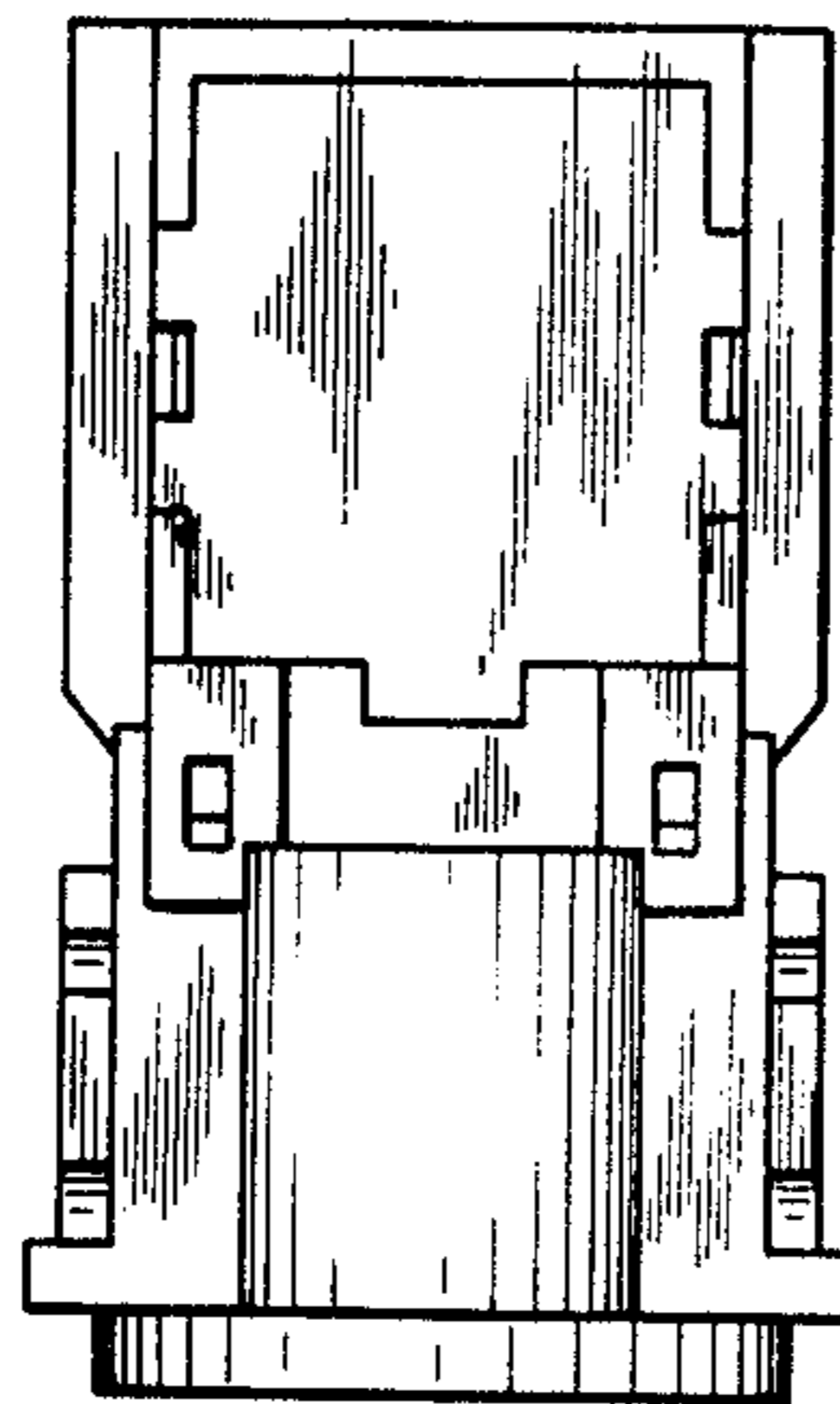


FIG. 6

