

[54] ADAPTER FOR A TRACK LIGHT

[75] Inventors: Lou Bedocs, Bishops Stortford, England; Michael C. Eksteen, Verwoerdburg, South Africa

[73] Assignee: Thorn EMI plc, London, England

[\*\*] Term: 14 Years

[21] Appl. No.: 60,894

[22] Filed: Jun. 12, 1987

[30] Foreign Application Priority Data

Dec. 12, 1986 [ZA] South Africa ..... 86/1066  
[52] U.S. Cl. .... D13/133; D26/138  
[58] Field of Search ..... D13/24; D26/60-66, D26/118, 138, 140; 362/404-408, 269, 275, 287, 418, 419, 427, 428, 147

[56] References Cited

U.S. PATENT DOCUMENTS

3,894,781	7/1975	Donato .....	439/121
4,190,309	2/1980	Glass .....	439/118
4,687,446	8/1987	Birch et al. ....	439/553
4,699,439	10/1987	Cohen .....	439/119 X

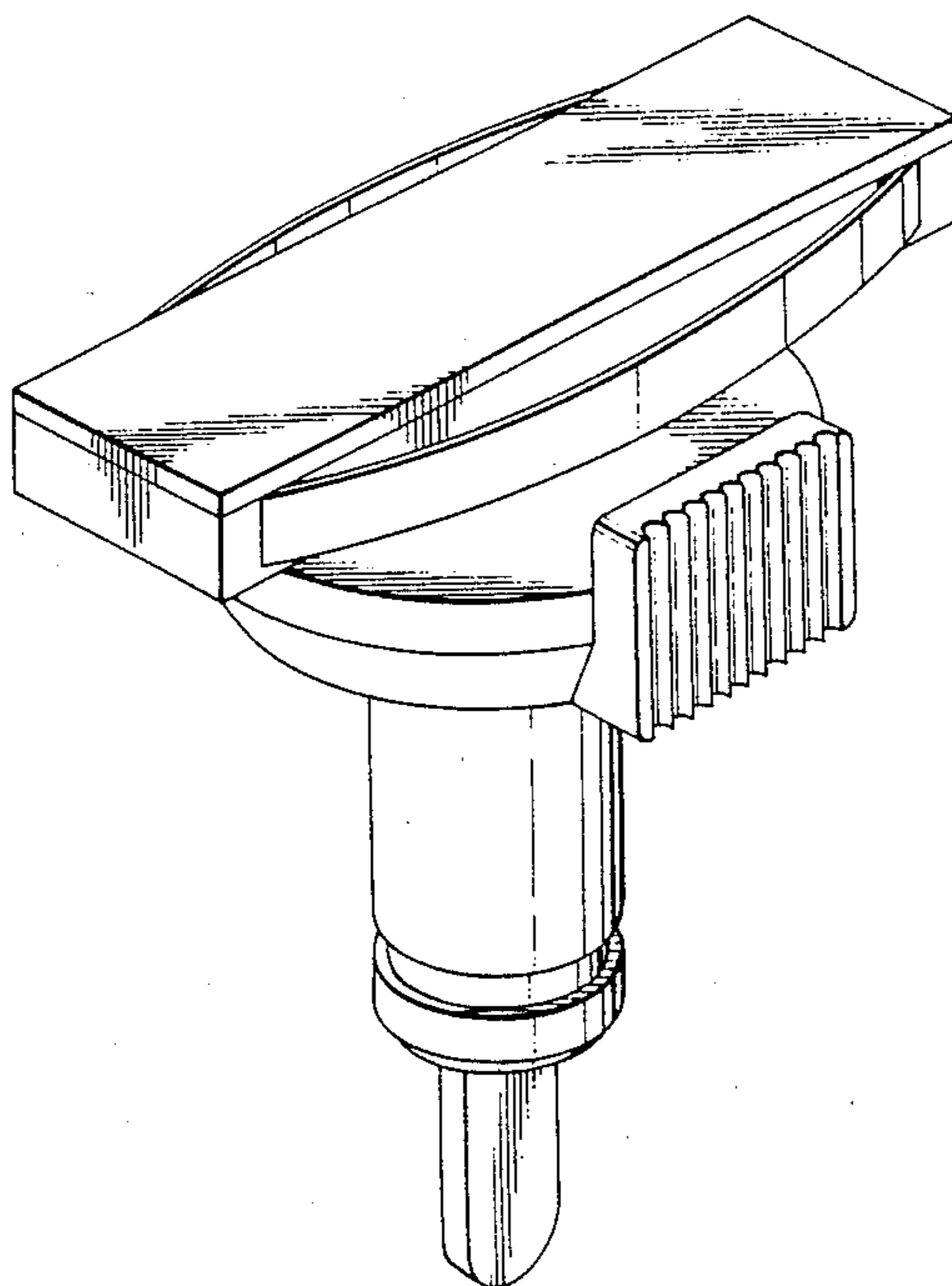
Primary Examiner—Susan J. Lucas  
Attorney, Agent, or Firm—Fleit, Jacobson, Cohn, Price, Holman & Stern

[57] CLAIM

The ornamental design for an adapter for a track light, as shown and described.

DESCRIPTION

FIG. 1 is a perspective view of an adapter for a track light showing our new design;  
FIG. 2 is a side elevational view thereof on an enlarged scale, the opposite side being a mirror image;  
FIG. 3 is a top plan view thereof on an enlarged scale; and  
FIG. 4 is a bottom plan view thereof on an enlarged scale.



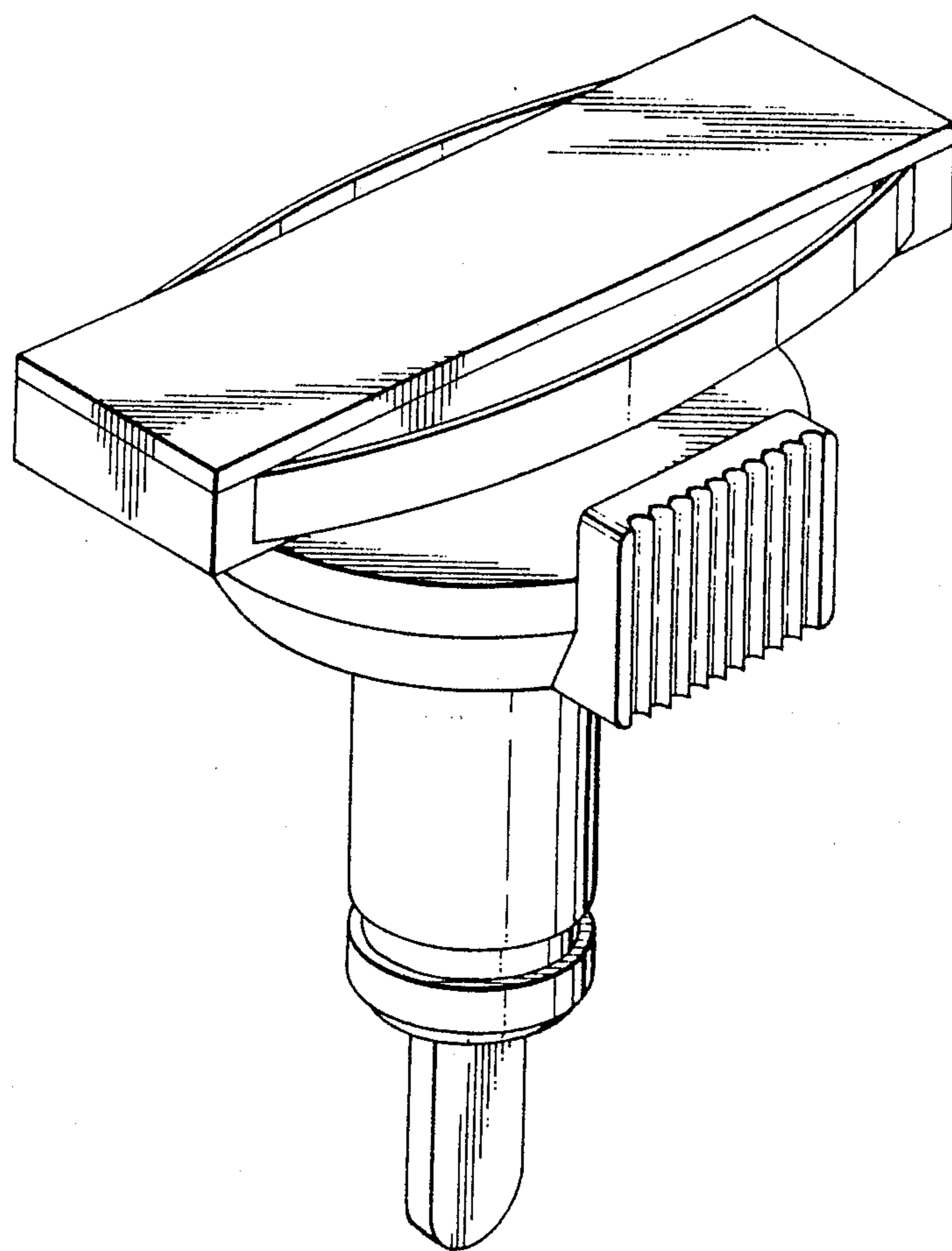


FIG. 1

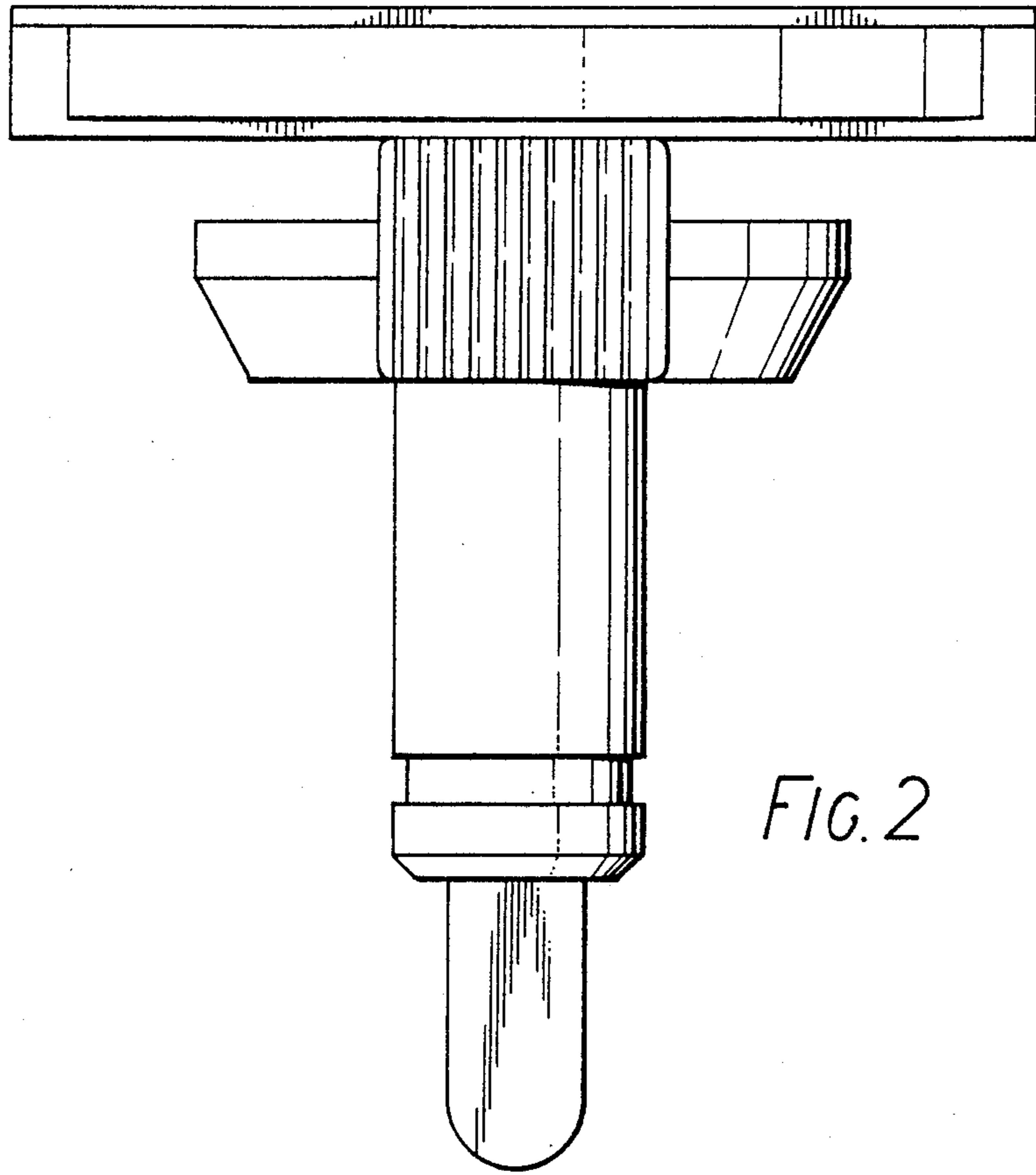


FIG. 2

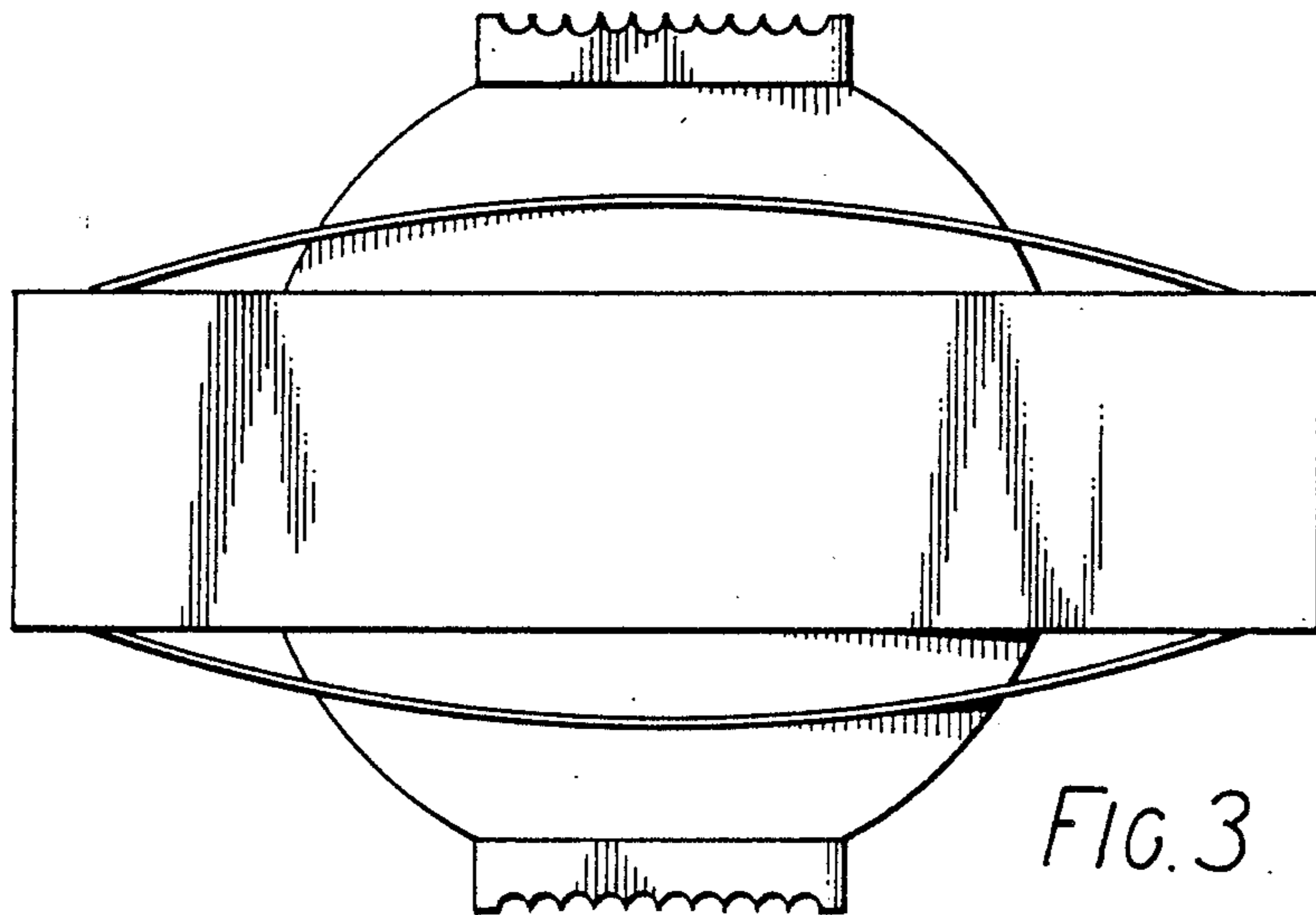


FIG. 3

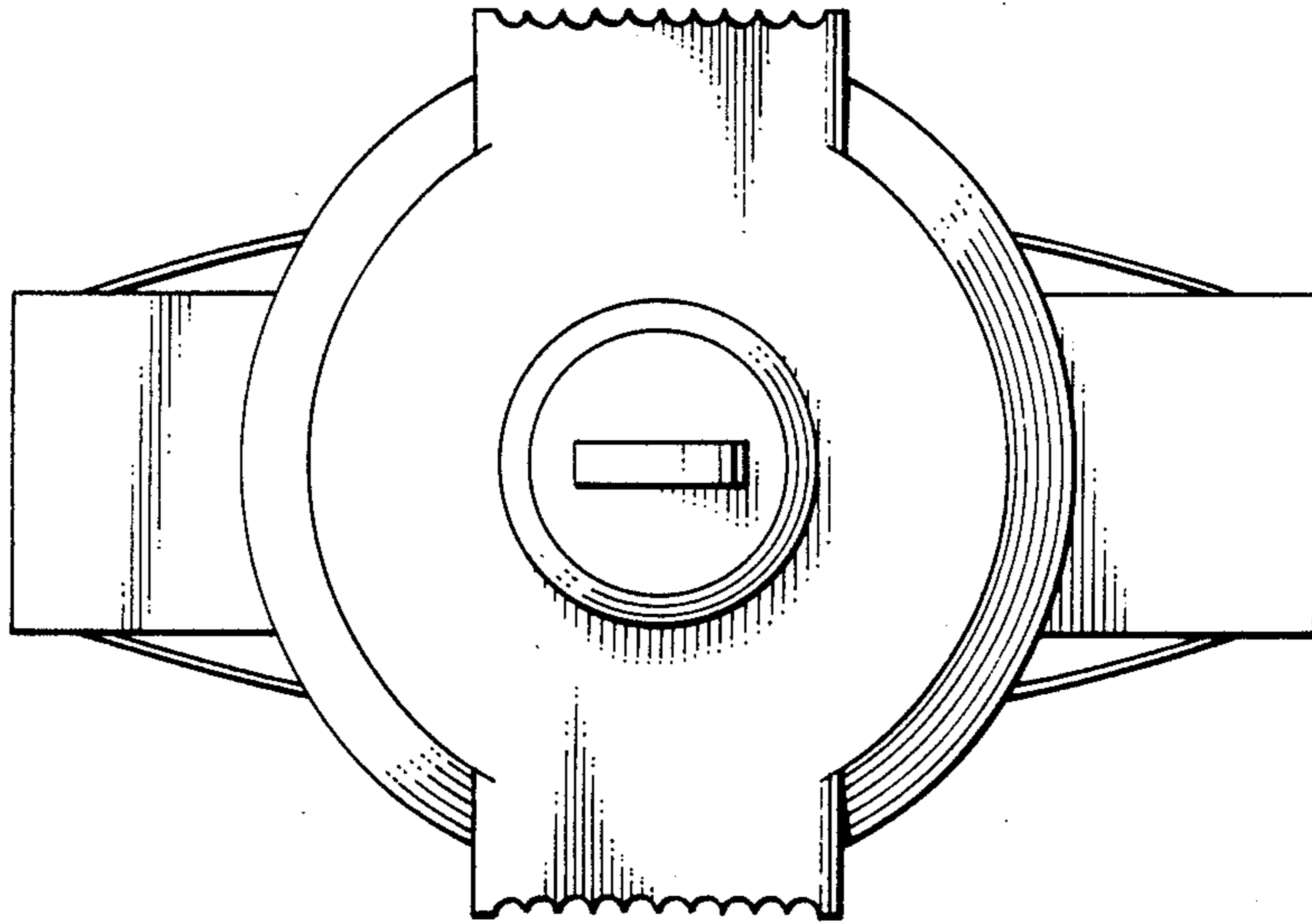


FIG. 4