

[54] PORTABLE BATTERY CASE

D. 300,920 5/1989 Gierke D13/4

[75] Inventors: Fusao Fushiya; Hajime Ohta, both of Anjo, Japan

Primary Examiner—Susan J. Lucas
Assistant Examiner—Joel Sincavage
Attorney, Agent, or Firm—Dennison, Meserole, Pollack & Scheiner

[73] Assignee: Makita Electric Works, Ltd., Anjo, Japan

[57] CLAIM

[**] Term: 14 Years

The ornamental design for a portable battery case, as shown and described.

[21] Appl. No.: 177,030

DESCRIPTION

[22] Filed: Apr. 4, 1988

[30] Foreign Application Priority Data

Nov. 5, 1987 [JP] Japan 62-45153

[52] U.S. Cl. D13/103

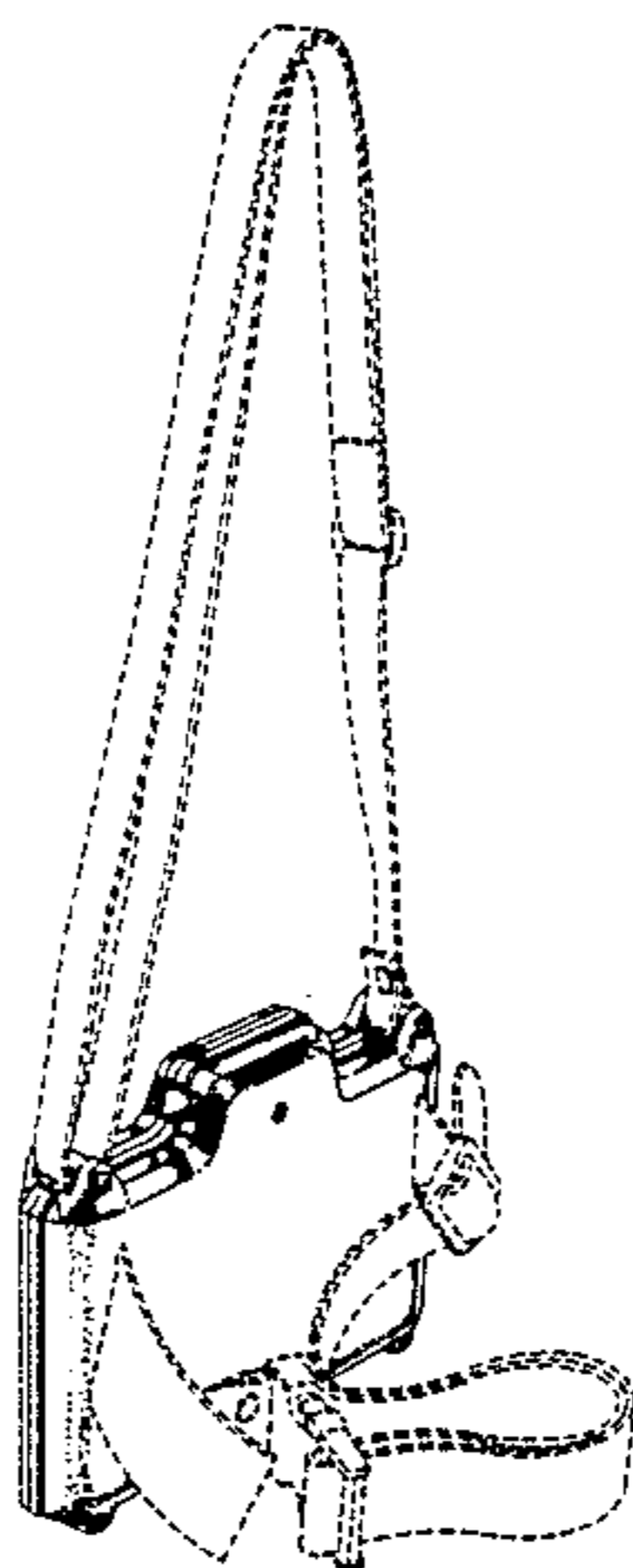
[58] Field of Search D13/8, 10, 103, 119,
D13/4; 310/50; 320/27, 2; 429/48, 54, 96, 97,
99, 121, 122, 160, 163, 176, 178, 187

FIG. 1 is a front perspective view of a portable battery case showing our new design;
FIG. 2 is a front elevational view thereof;
FIG. 3 is a rear elevational view thereof;
FIG. 4 is a left side elevational view thereof;
FIG. 5 is a right side elevational view thereof;
FIG. 6 is a top plan view thereof;
FIG. 7 is a bottom plan view thereof; and
FIG. 8 is a rear perspective view thereof with an attached strap and belt shown in broken lines.
The broken line showing is for illustrative purposes only and forms no part of the claimed design.

[56] References Cited

U.S. PATENT DOCUMENTS

D. 299,640 1/1989 Price D13/8



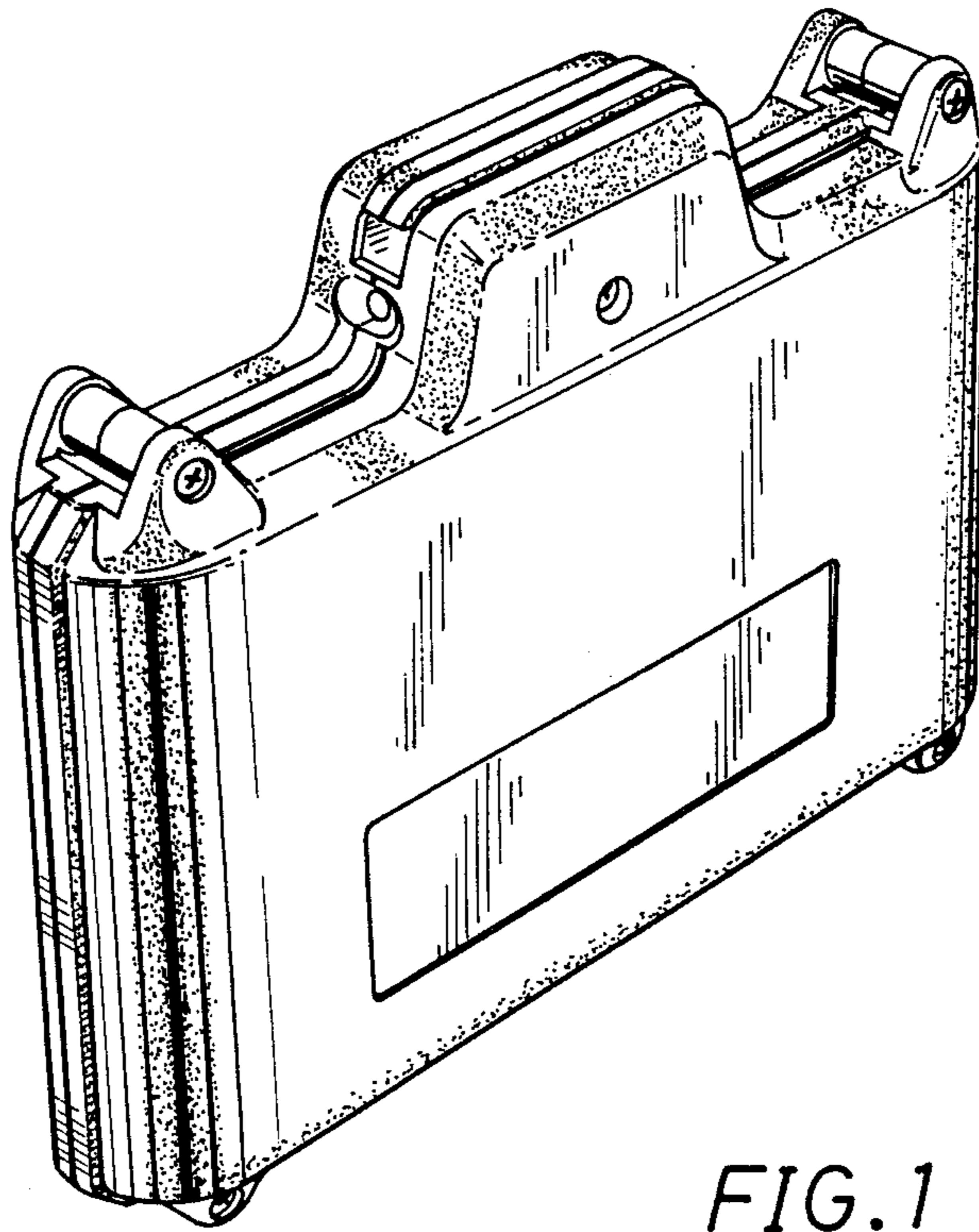


FIG. 1

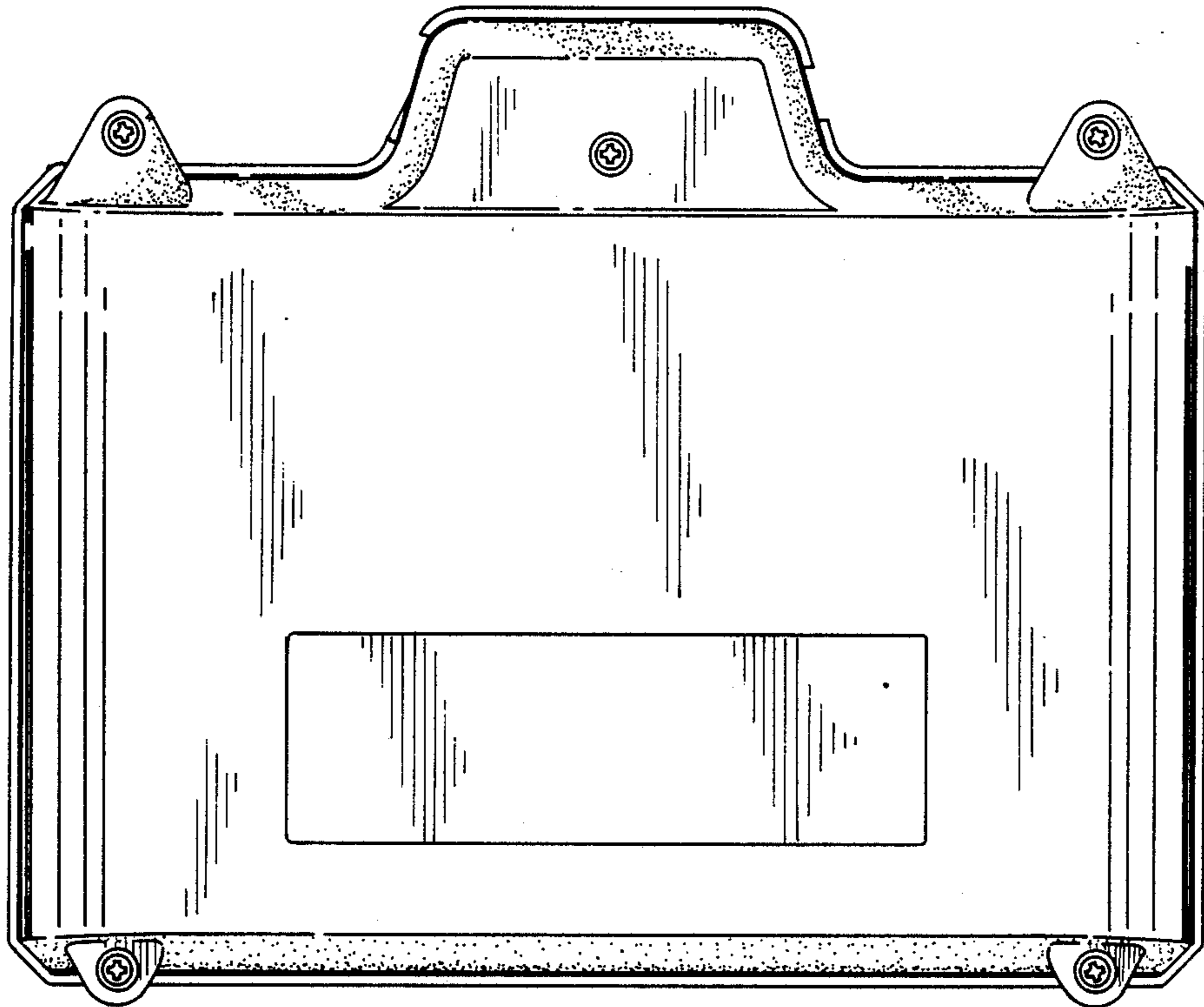


FIG. 2

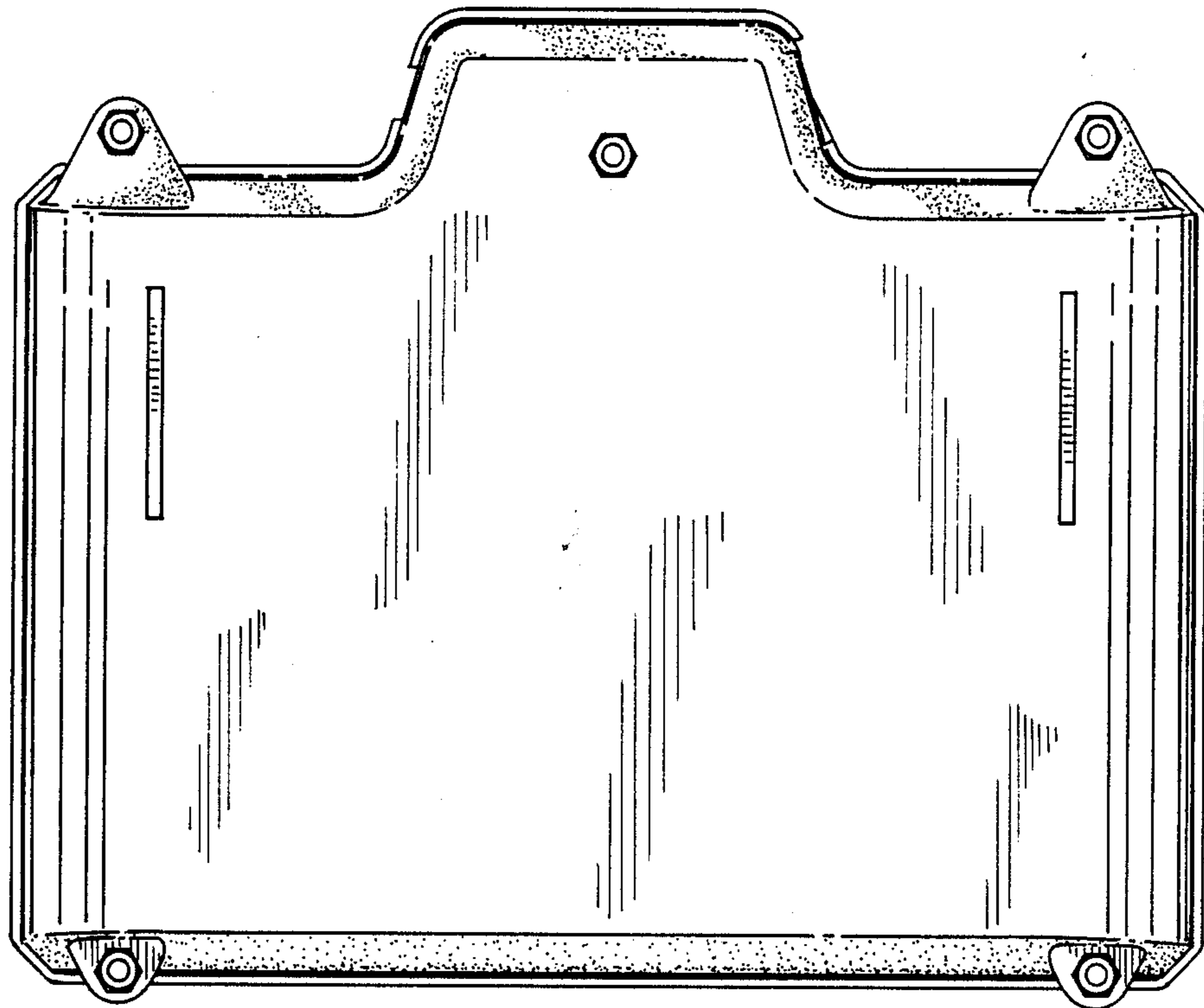


FIG. 3

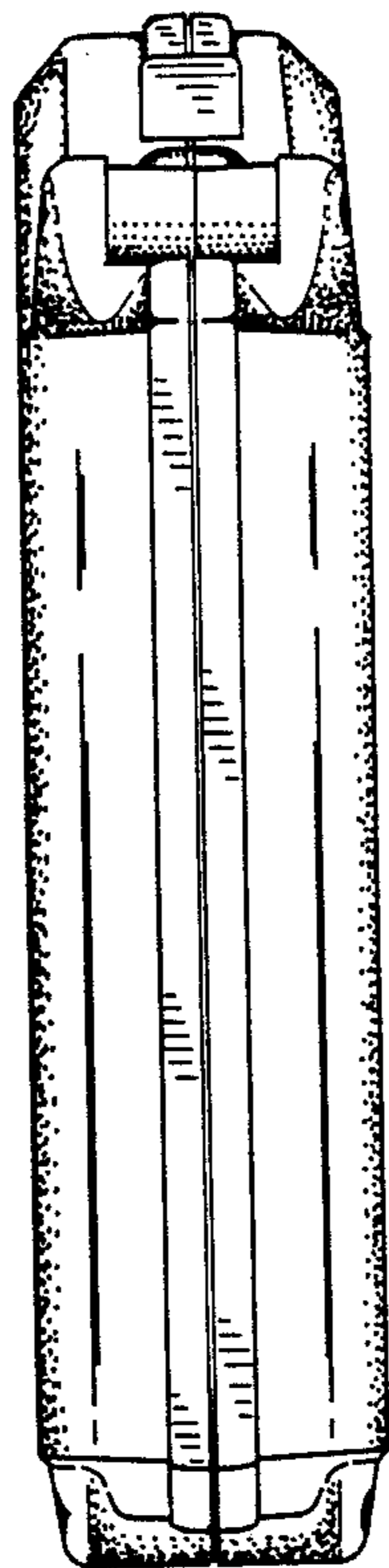


FIG. 4

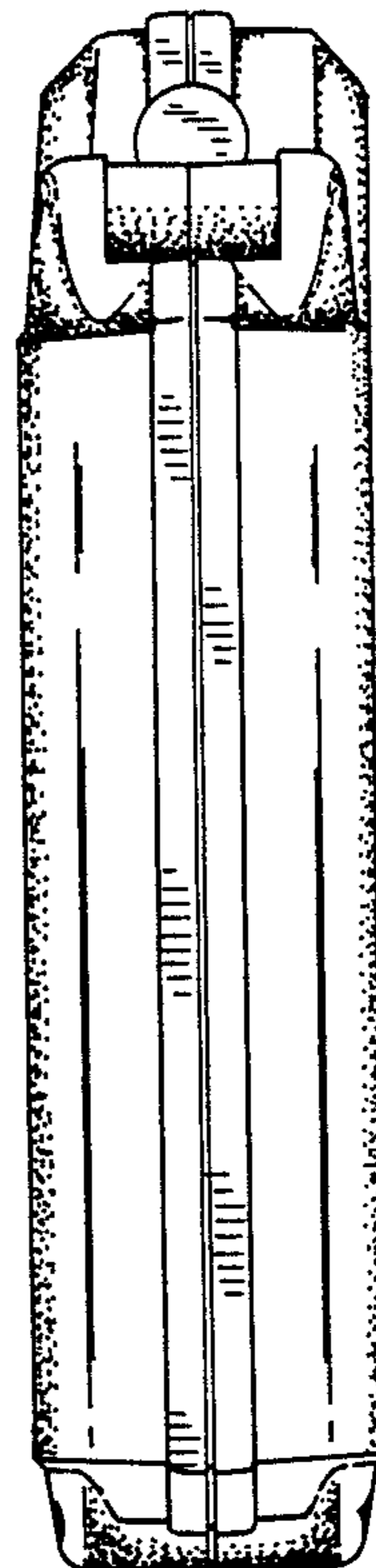


FIG. 5

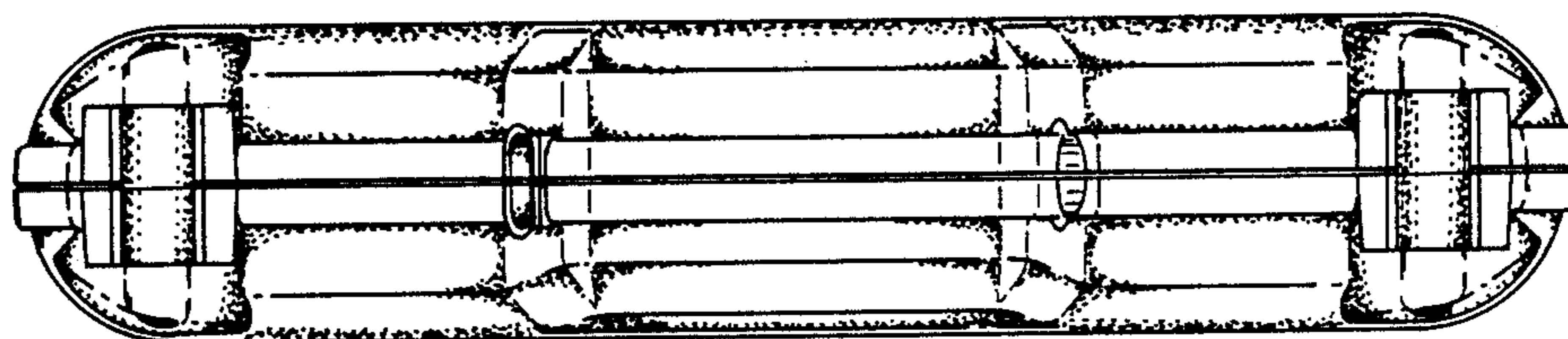


FIG. 6

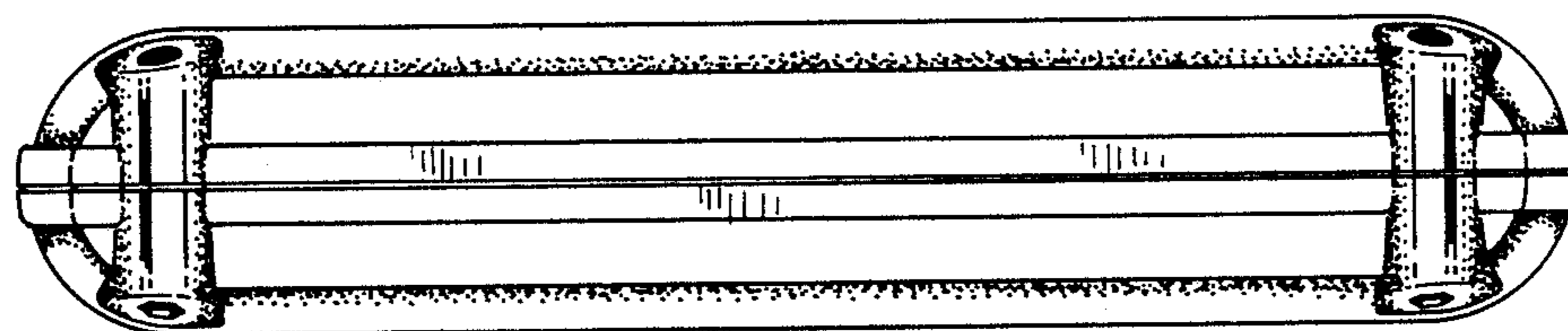


FIG. 7

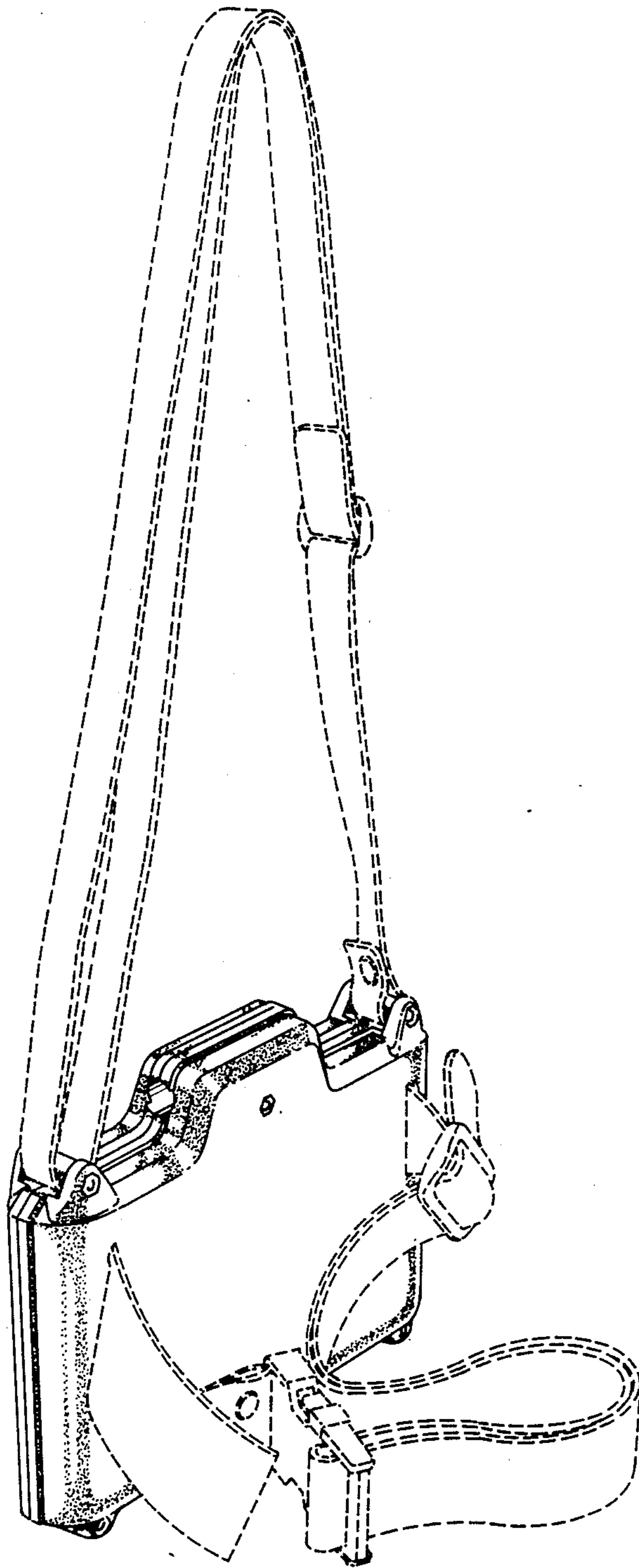


FIG. 8