

[54] AUTOMOBILE DOOR PANEL EXTERIOR SURFACE

[75] Inventor: Leonardo Fioravanti, Moncalieri, Italy

[73] Assignee: Fabrice Automobile Ferrari Societa per Azioni Esercizio, Modena, Italy

[**] Term: 14 Years

[21] Appl. No.: 327,186

[22] Filed: Mar. 22, 1989

Related U.S. Application Data

[62] Division of Ser. No. 912,493, Sep. 29, 1986.

[30] Foreign Application Priority Data

Mar. 29, 1986 [IT] Italy 65206/86

[52] U.S. Cl. D12/196

[58] Field of Search D12/91, 92, 196; 296/185

[56] References Cited

PUBLICATIONS

Ferrari Testa Rossa, Road and Track, pp. 46-47 and front cover (Dec., 1984) Door Panel.

Ferrari Cavallino, Road and Track, p. 163 (May, 1985), Door Panel.

Primary Examiner—James M. Gandy
Attorney, Agent, or Firm—Robin, Blecker, Daley & Driscoll

[57] CLAIM

The ornamental design for an automobile door panel exterior surface, as shown and described.

DESCRIPTION

FIG. 1 is a perspective view taken from in front and above of an automobile door panel exterior surface showing my new design;

FIG. 2 is a perspective view taken from in front thereof at a slightly different angle and on a reduced scale;

FIG. 3 is a side elevation view of FIG. 2;

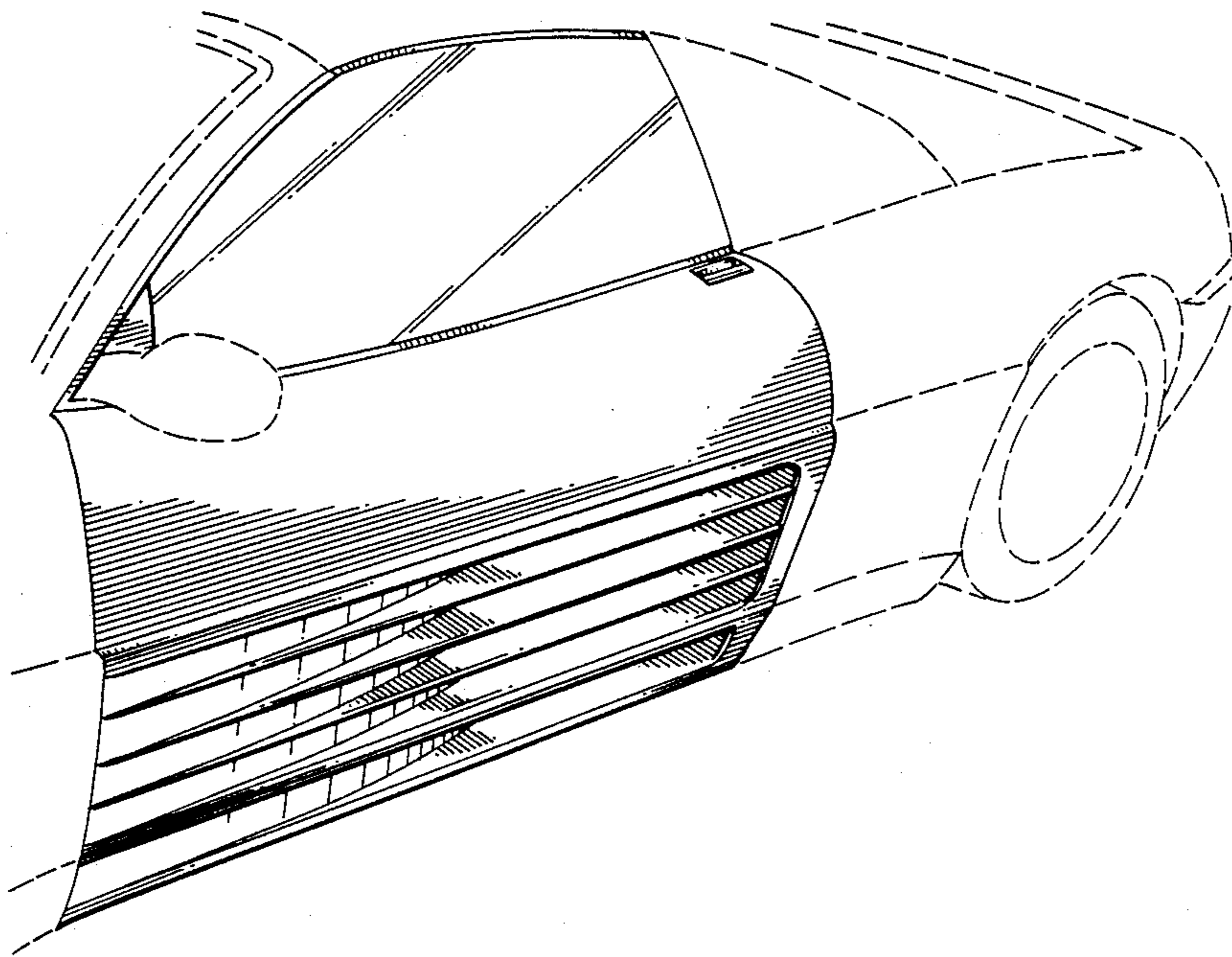
FIG. 4 is a perspective view of FIG. 2 taken from a slightly different angle;

FIG. 5 is a side elevation view of FIG. 2 identical to that of FIG. 3;

FIG. 6 is a perspective view taken from in front of an automobile door panel exterior surface shading a second embodiment of my new design for the opposite side of the automobile; and

FIG. 7 is a perspective view of FIG. 2 taken from the rear.

The broken line showing of an automobile is for illustrative purposes only and forms no part of the claimed design.



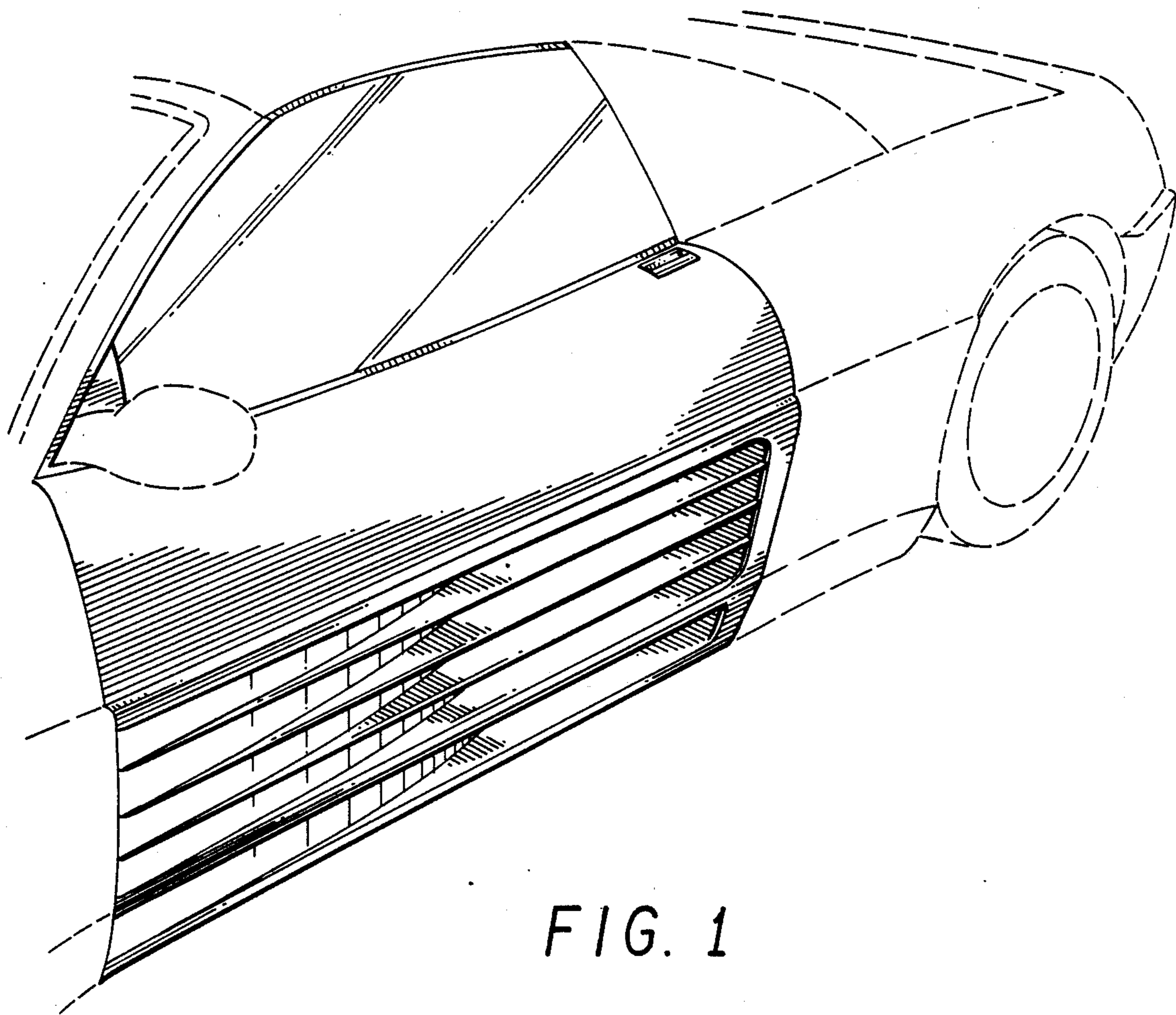


FIG. 1

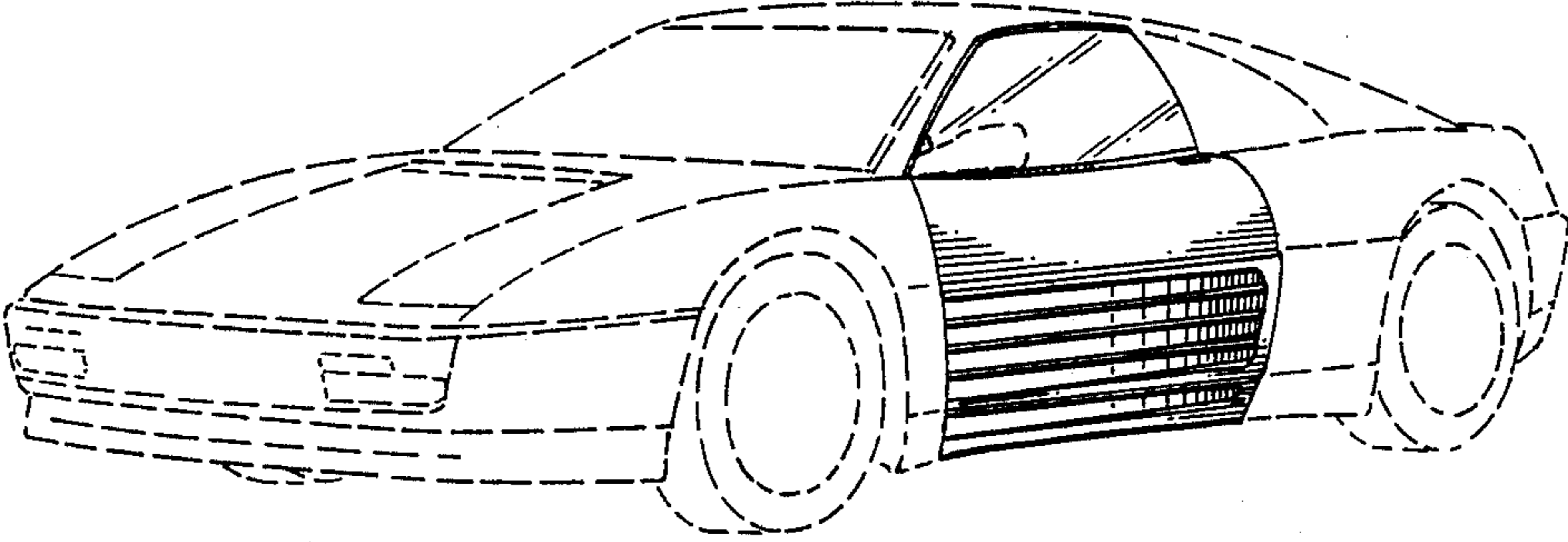


FIG. 2

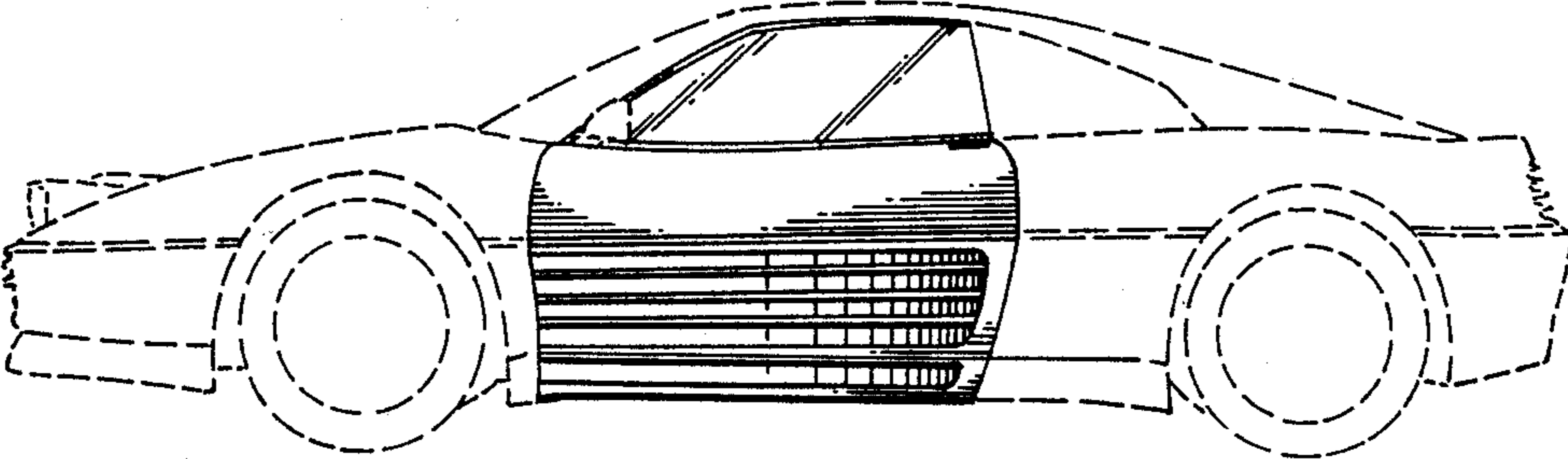


FIG. 3

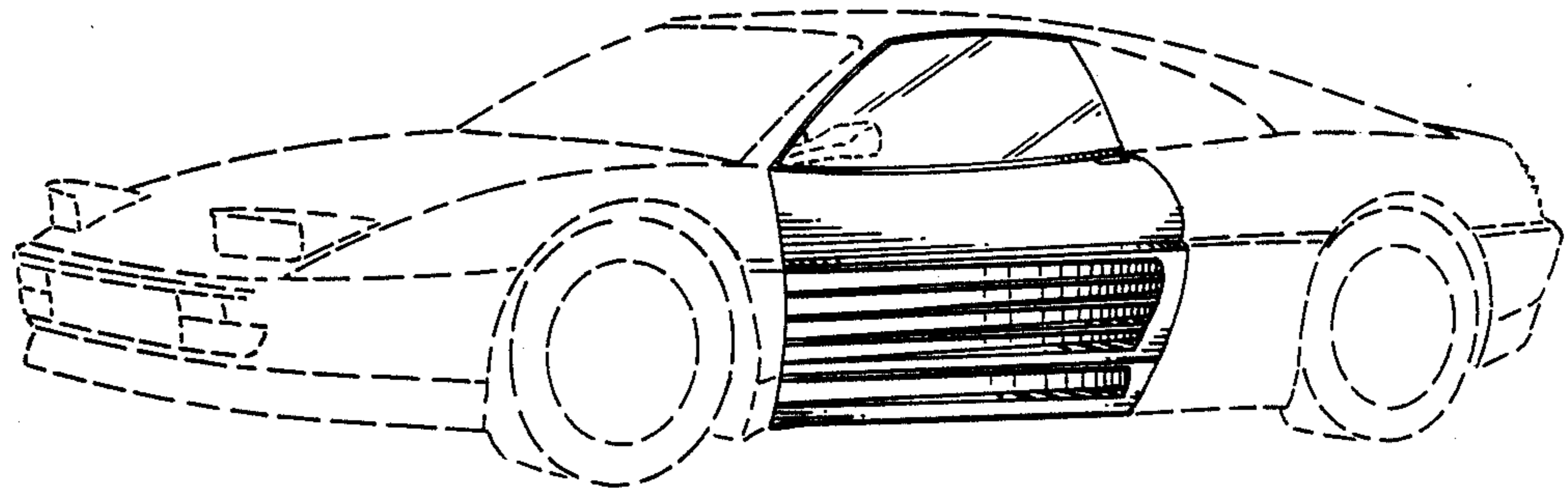


FIG. 4

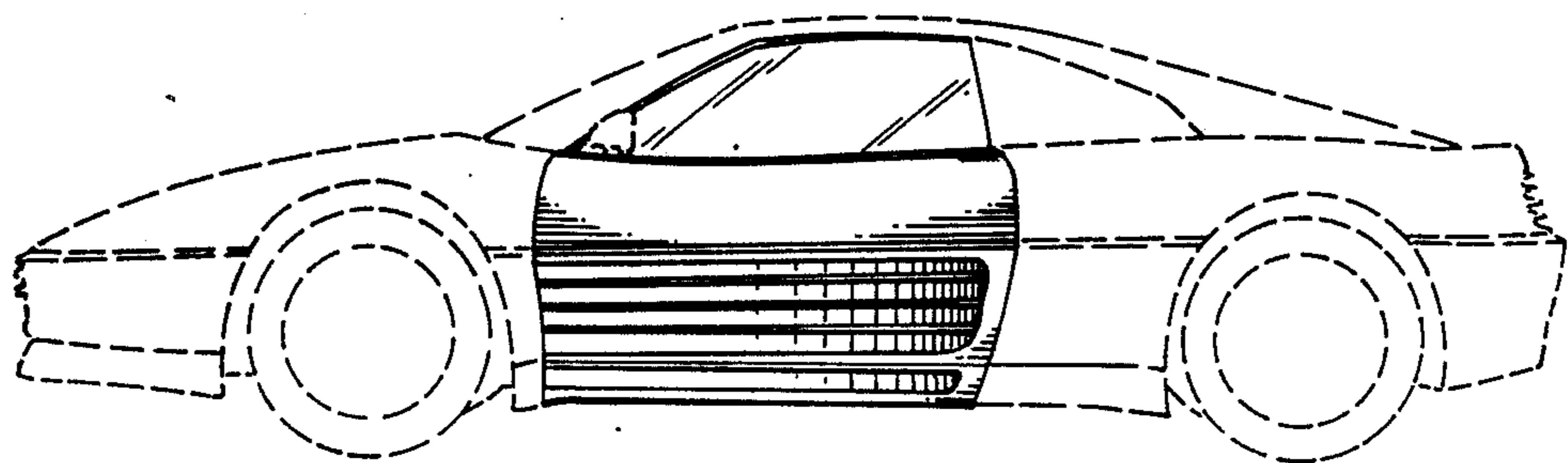


FIG. 5

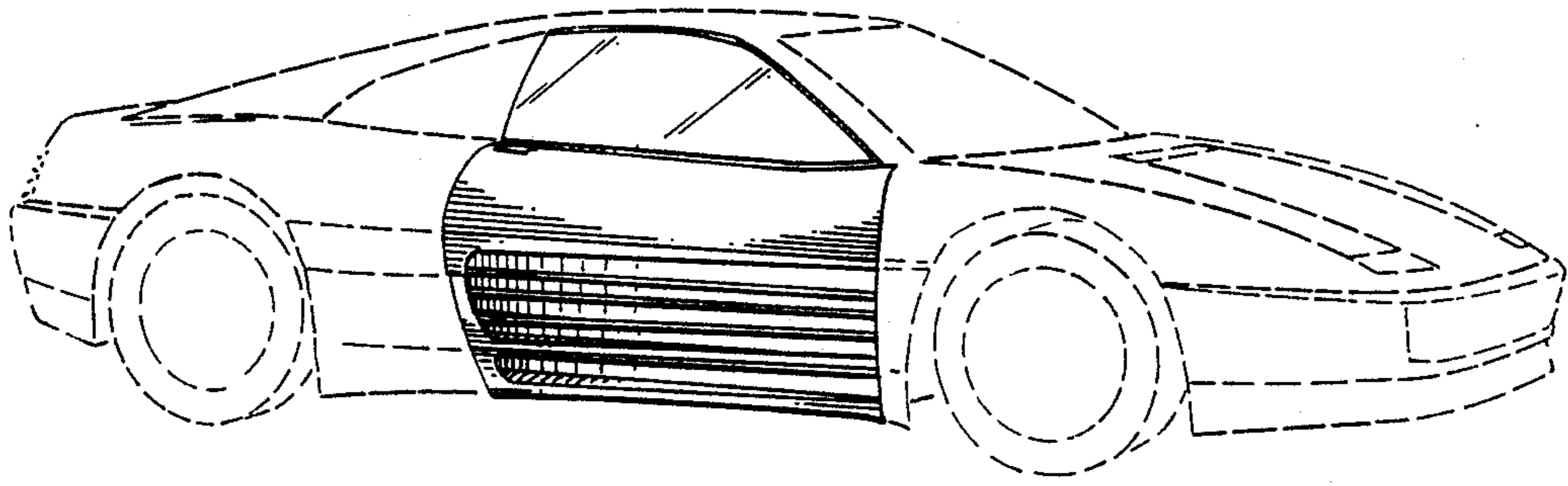


FIG. 6

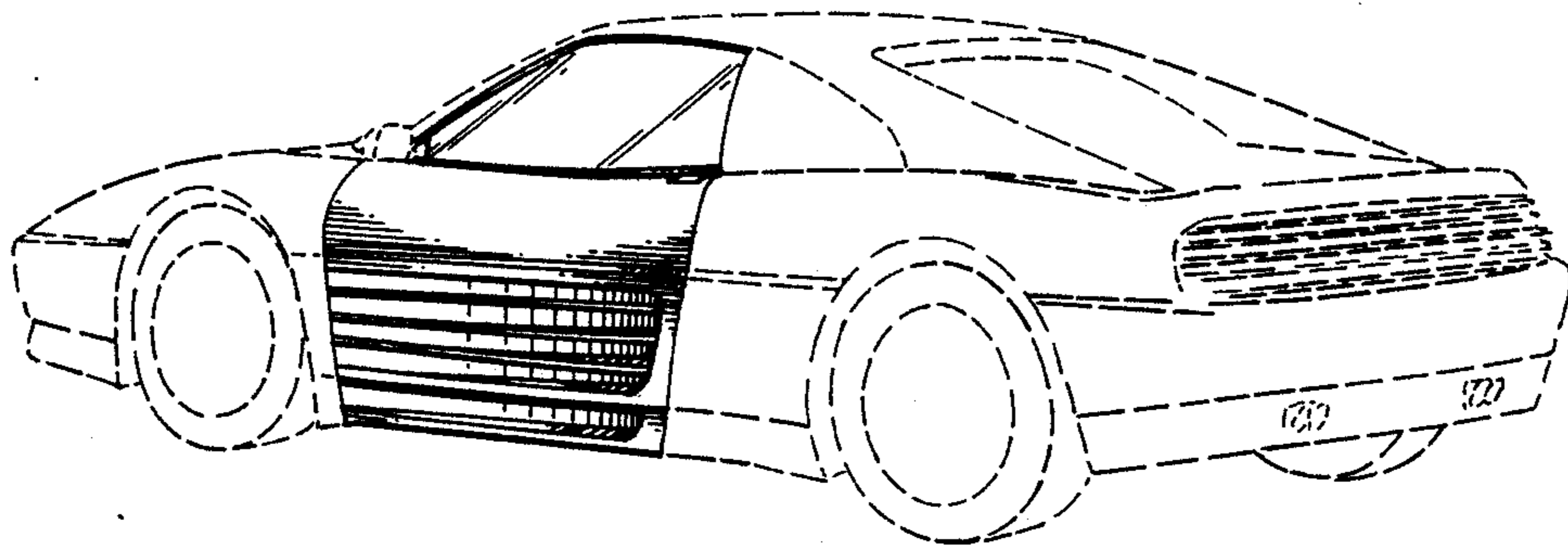


FIG. 7