

[54] **FRAME UNIT FOR TRUCK BED COVER**
[76] **Inventor: A. Edward Moore, 215 Grandpre,
l'Arcadie, Quebec, Canada, JOJ 1H0**
[**] **Term: 14 Years**
[21] **Appl. No.: 166,614**
[22] **Filed: Mar. 11, 1988**
[52] **U.S. Cl. D12/156**
[58] **Field of Search D12/156; 296/100, 102,
296/104, 105, 165, 136, 10, 26, 27**

4,756,325 7/1988 Daniels 296/105

Primary Examiner—James M. Gandy
Attorney, Agent, or Firm—Banner, Birch, McKie &
Beckett

[57] **CLAIM**

The ornamental design for a frame unit for truck bed cover, as shown and described.

DESCRIPTION

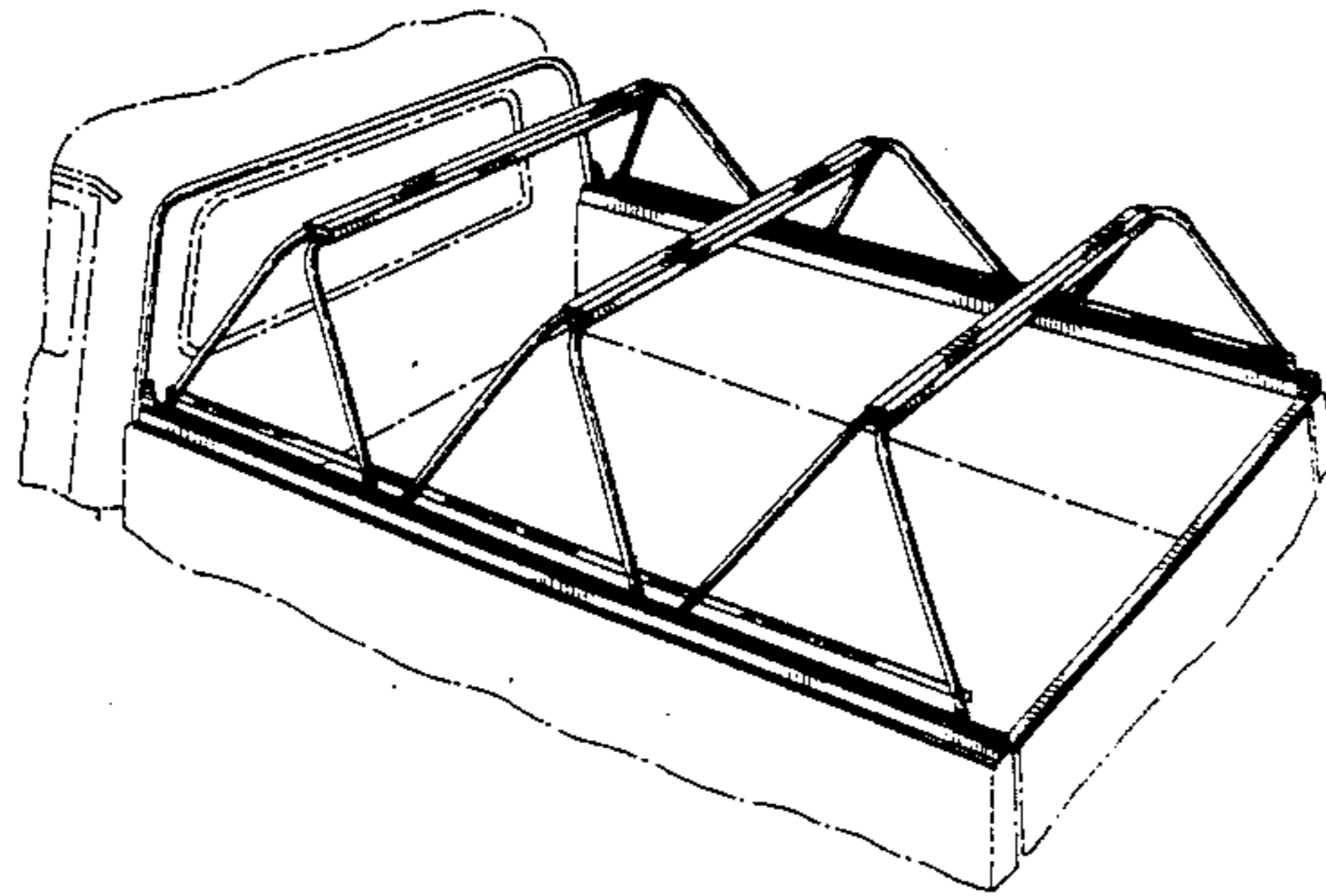
FIG. 1 is a rearward, downward perspective view of a frame unit for truck bed cover showing the new design; FIG. 2 is a forward, downward perspective view thereof.

The broken line showing of a portion of a pickup truck is for illustrative purposes only and forms no part of the claimed design.

[56] **References Cited**

U.S. PATENT DOCUMENTS

3,773,379 11/1973 Loiseau 296/100
3,874,721 4/1975 Tuggle 296/105
4,721,336 1/1988 Jones 296/105



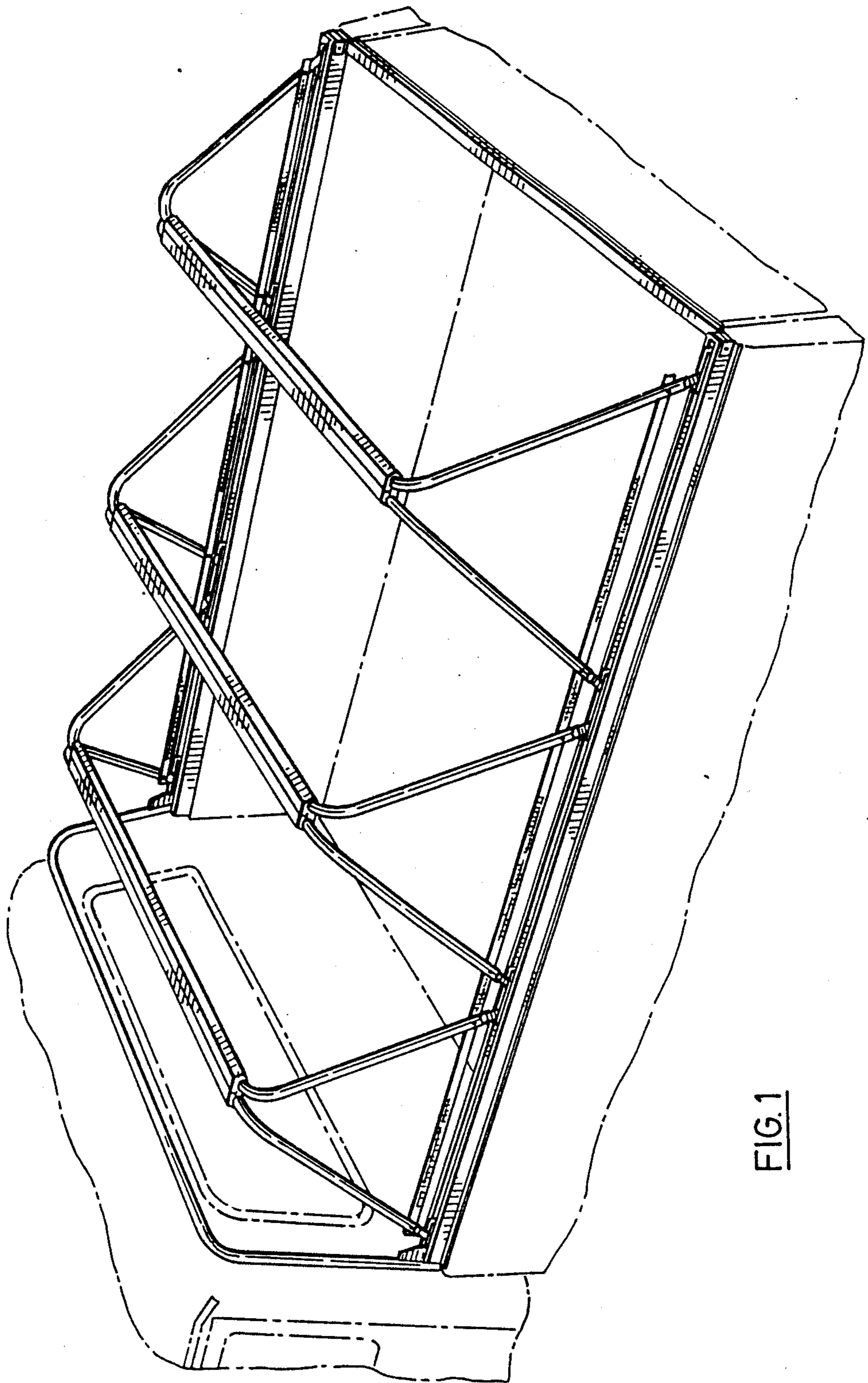


FIG. 1

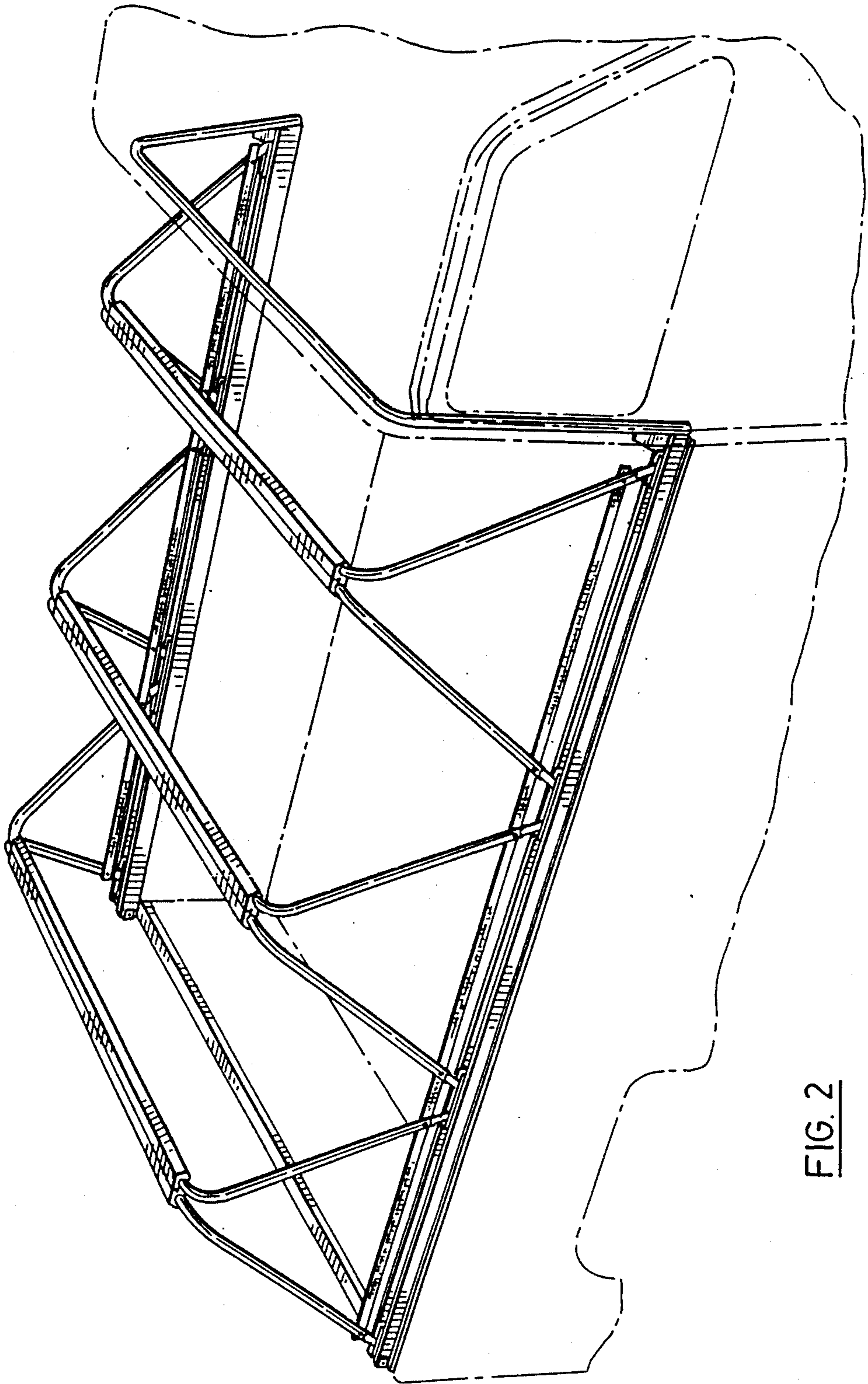


FIG. 2