

[54] **CHRISTMAS TREE STAND**

[76] Inventor: **Jaroslav Matousek**, Vålatorpsvägen  
17, S-255 90 Helsingborg, Sweden

[\*\*] Term: **14 Years**

[21] Appl. No.: **231,832**

[22] Filed: **Aug. 10, 1988**

[30] **Foreign Application Priority Data**

Feb. 10, 1988 [SE] Sweden ..... 88-0299

[52] U.S. Cl. .... **D11/130.1**

[58] Field of Search ..... D11/125, 128, 129, 130,  
D11/130.1; 248/519, 523-525, 527-529;  
47/40.5; 428/7-9

D. 120,234 4/1940 Wlodyga ..... D11/125  
D. 164,386 8/1951 Rose ..... D11/129  
2,734,993 2/1956 Fritz ..... D11/130

*Primary Examiner*—B. J. Bullock  
*Assistant Examiner*—Dominic Simone  
*Attorney, Agent, or Firm*—Merchant, Gould, Smith,  
Edell, Welter & Schmidt

[57] **CLAIM**

The ornamental design for a Christmas tree stand, as shown.

**DESCRIPTION**

FIG. 1 is a front perspective view of a Christmas tree stand showing my new design;  
FIG. 2 is a left side view thereof, the right side being identical;  
FIG. 3 is a rear view thereof;  
FIG. 4 is a top view thereof;  
FIG. 5 is a bottom view thereof;  
FIG. 6 is a front view thereof.

[56] **References Cited**

**U.S. PATENT DOCUMENTS**

D. 70,532 7/1926 Bozzuto ..... D11/130.1  
D. 71,067 6/1924 Langseth ..... D11/130.1  
D. 102,220 12/1936 Bird et al. .... D11/129

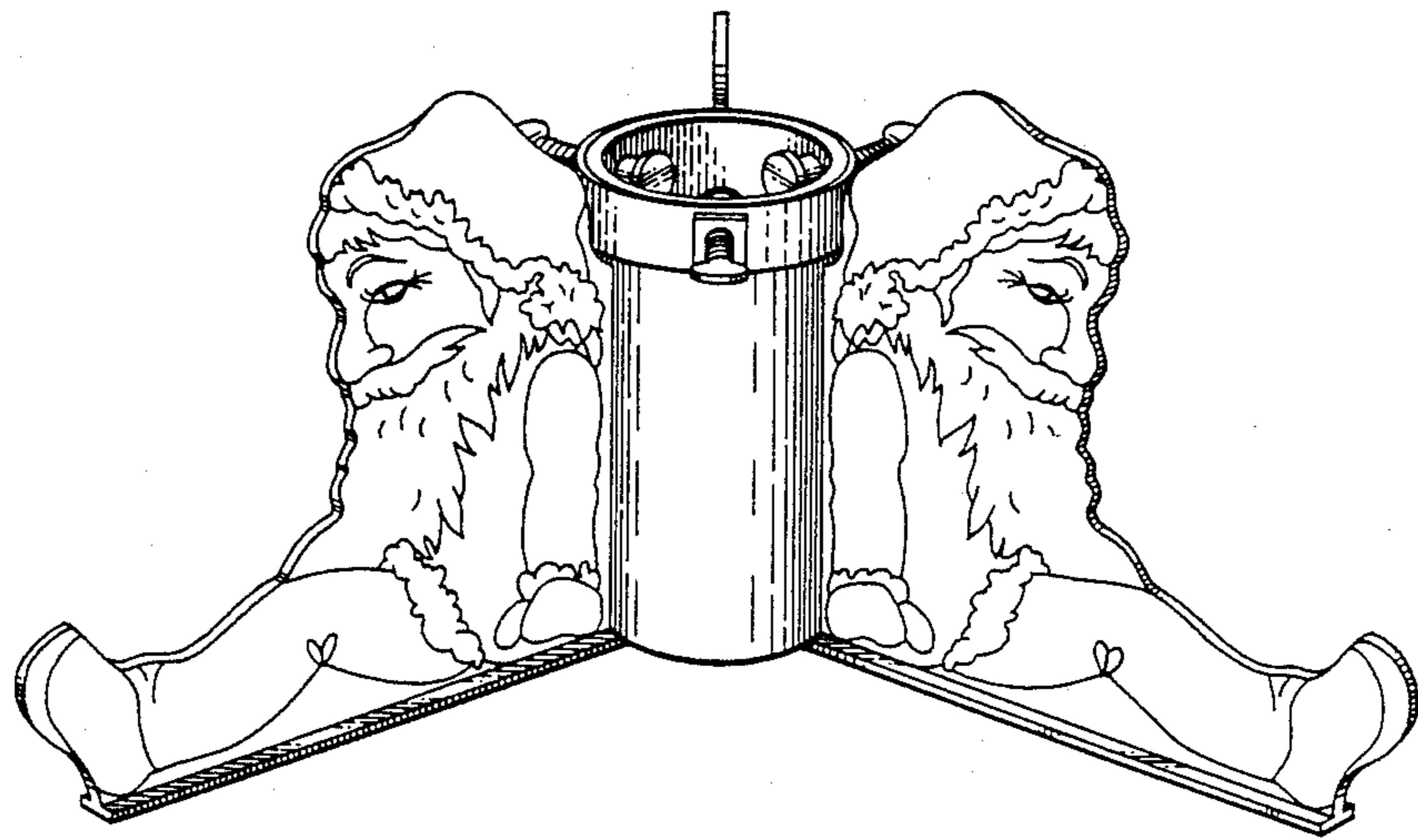


FIG. 1

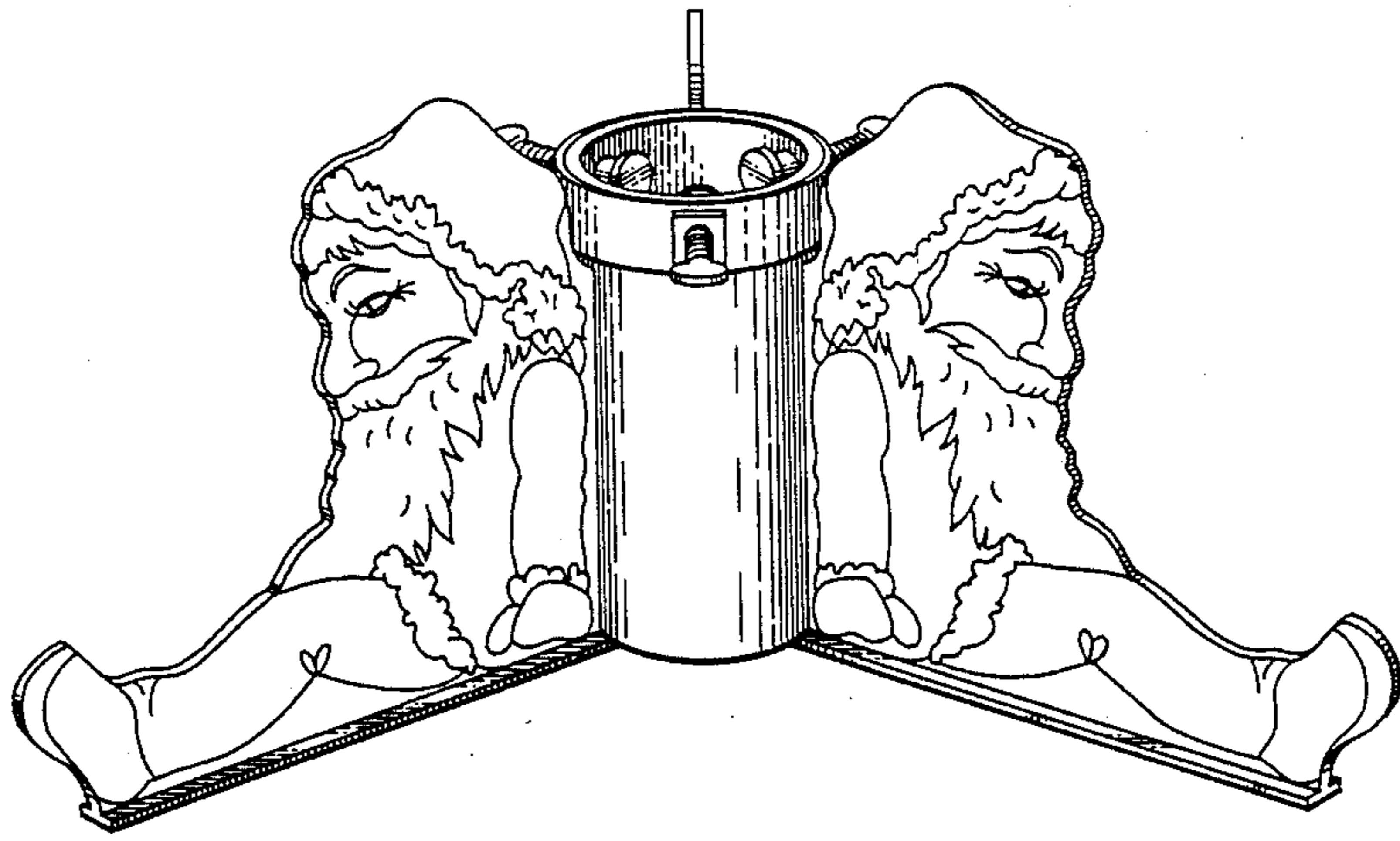


FIG. 2

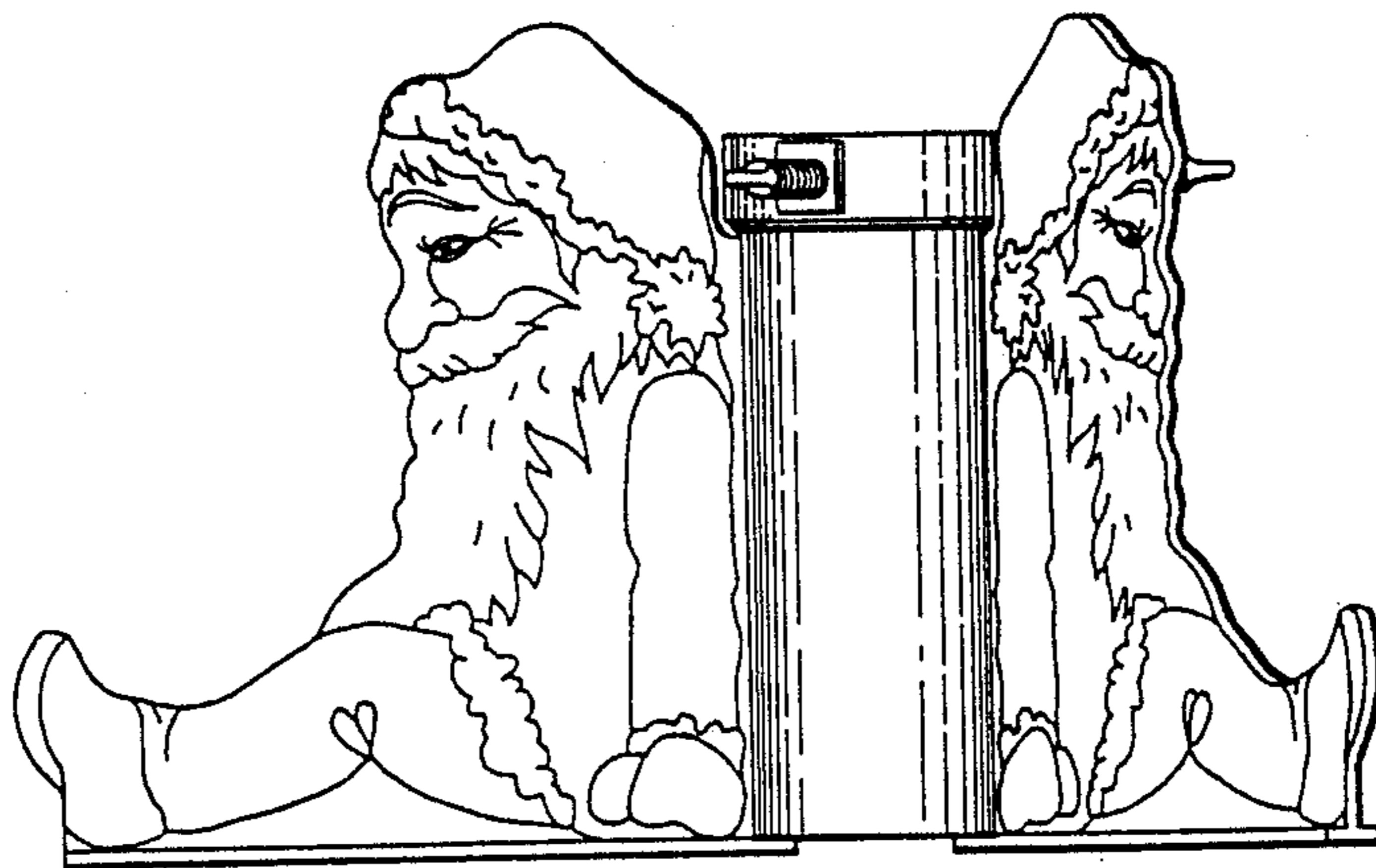


FIG. 3

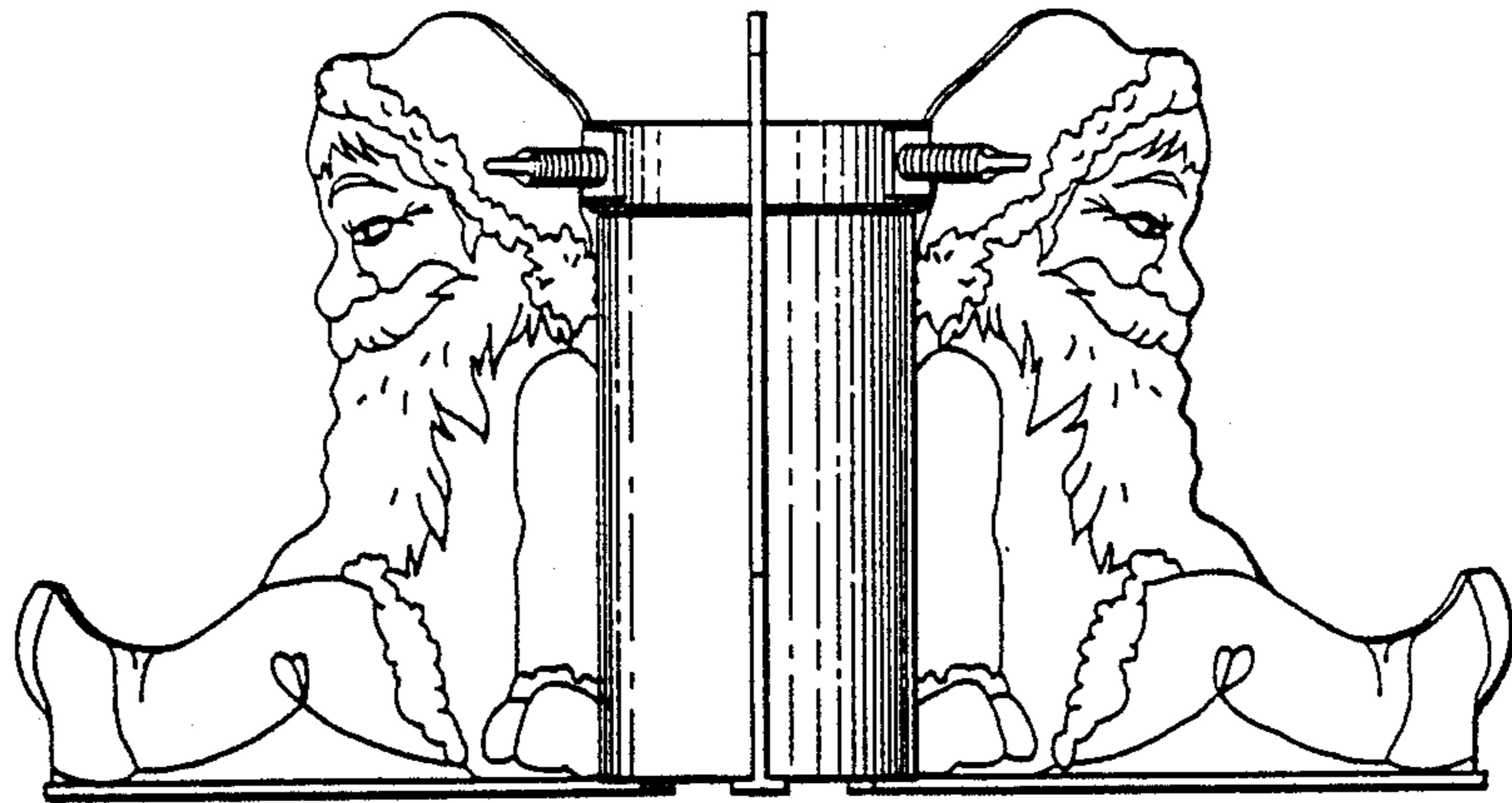


FIG. 4

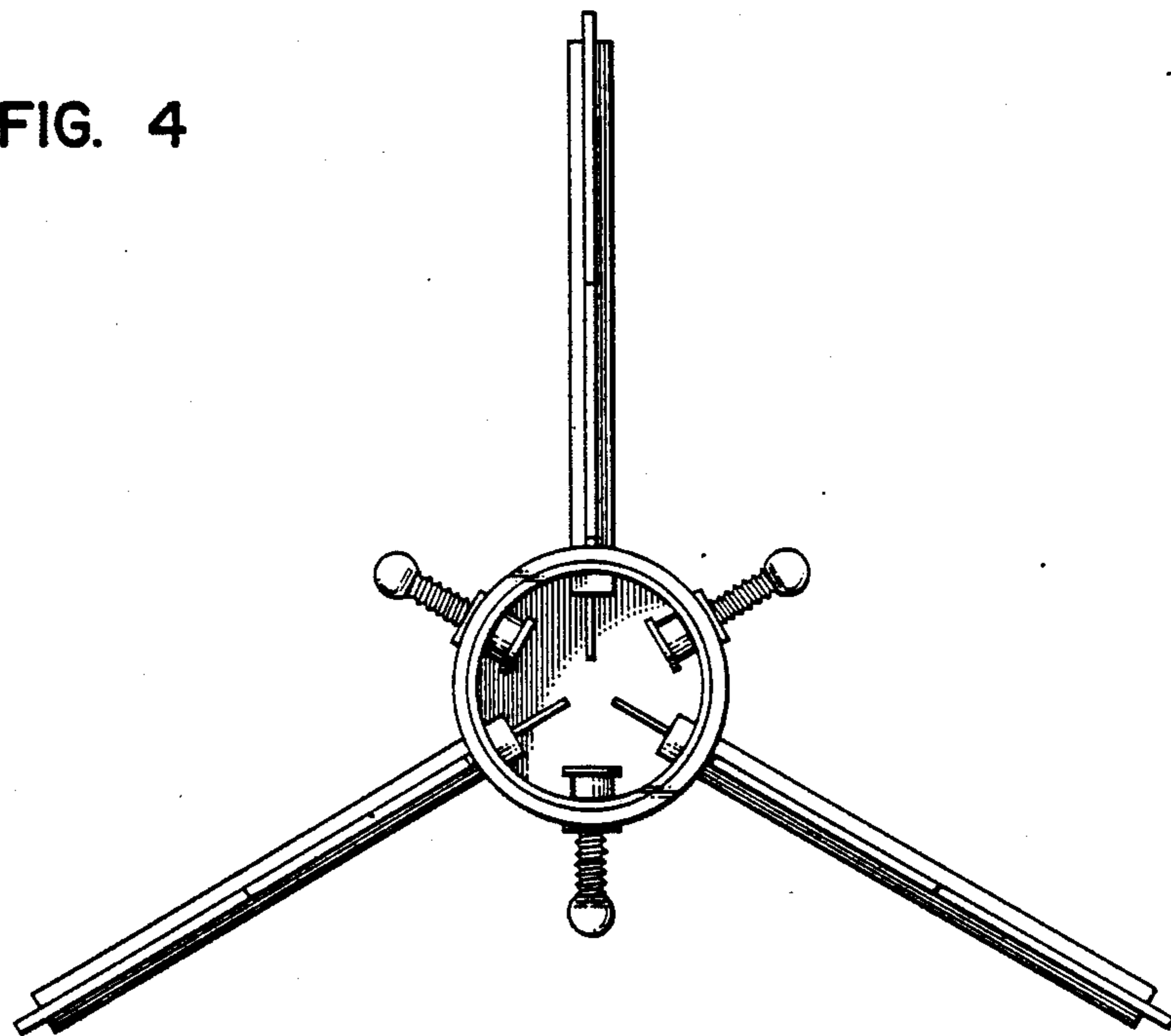


FIG. 5

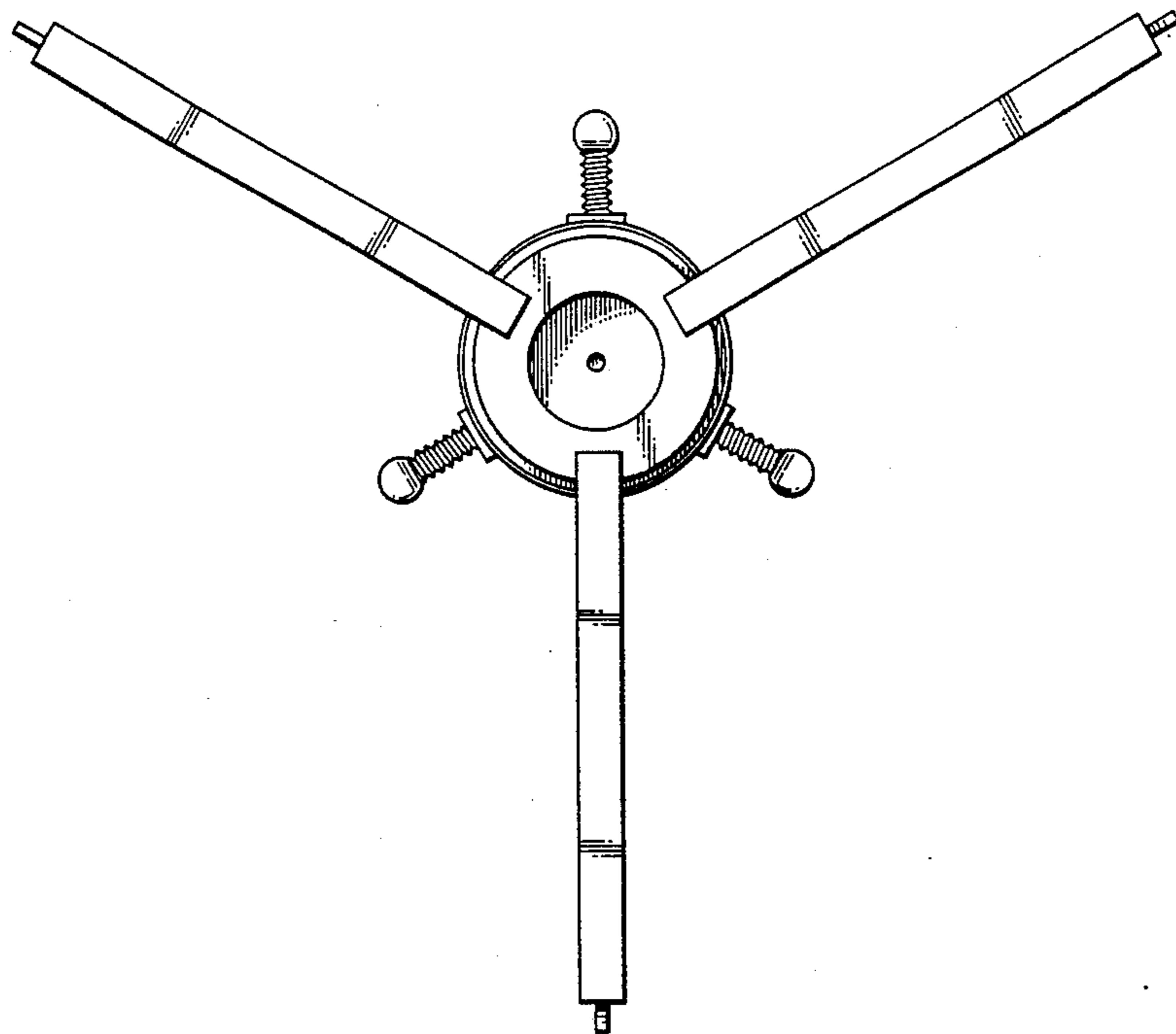


FIG. 6

