

[54] COMPUTER ANALYZER

[75] Inventors: Robert J. Rzadzki, Schaumburg; Lee F. Radtke, Lake Zurich, both of Ill.

[73] Assignee: Sun Electric Corporation, Crystal Lake, Ill.

[**] Term: 14 Years

[21] Appl. No.: 8,641

[22] Filed: Jan. 28, 1987

[52] U.S. Cl. D10/75

[58] Field of Search D10/46, 75, 76, 79; D6/438, 439, 396, 400, 444, 445, 447; D34/19, 21; D24/1.1, 17; 324/77 R, 378, 379, 394; 364/130, 424.1, 424.3, 424.4, 481; D14/100, 107, 114; 73/117.2

[56] References Cited

U.S. PATENT DOCUMENTS

- D. 147,437 9/1947 Folk D10/75 X
- D. 215,493 9/1969 Burrige D10/46 X

- D. 219,306 11/1970 Morgan et al. D10/46
- D. 262,442 12/1981 Bressler et al. D10/75 X
- D. 299,345 1/1989 Foy et al. D10/75 X
- 4,270,174 5/1981 Karlin et al. 324/378 X
- 4,476,531 10/1984 Marino et al. 324/379 X

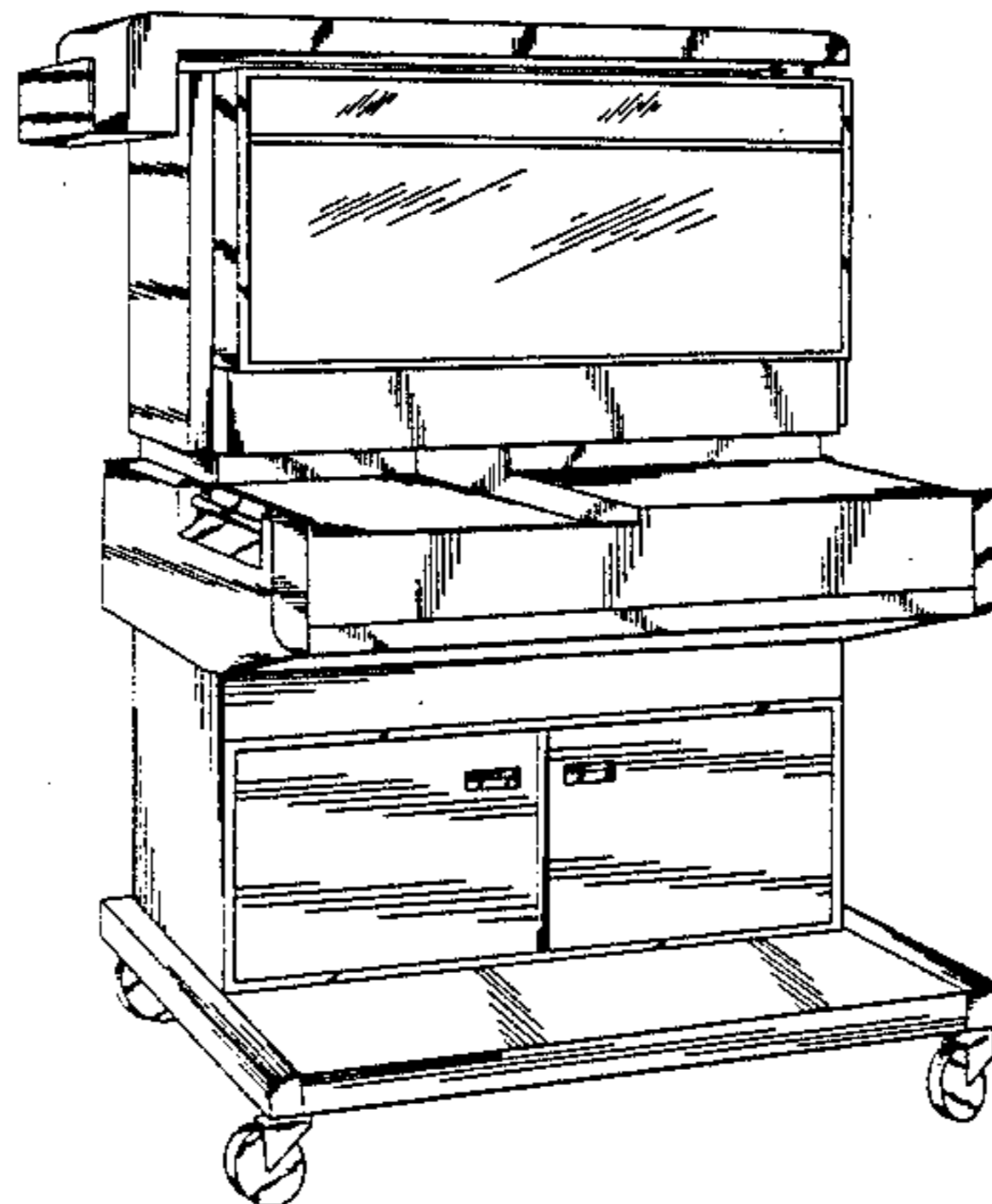
Primary Examiner—Nelson C. Holtje
Assistant Examiner—Antoine D. Davis
Attorney, Agent, or Firm—Nicholas A. Camasto

[57] CLAIM

The ornamental design for a computer analyzer, as shown and described.

DESCRIPTION

FIG. 1 is a top plan, front and left side perspective view of a computer analyzer showing our new design; FIG. 2 is a front elevational view; FIG. 3 is a left side elevational view; FIG. 4 is a right side elevational view; FIG. 5 is a rear elevational view; FIG. 6 is a top plan view; and FIG. 7 is a bottom plan view thereof.



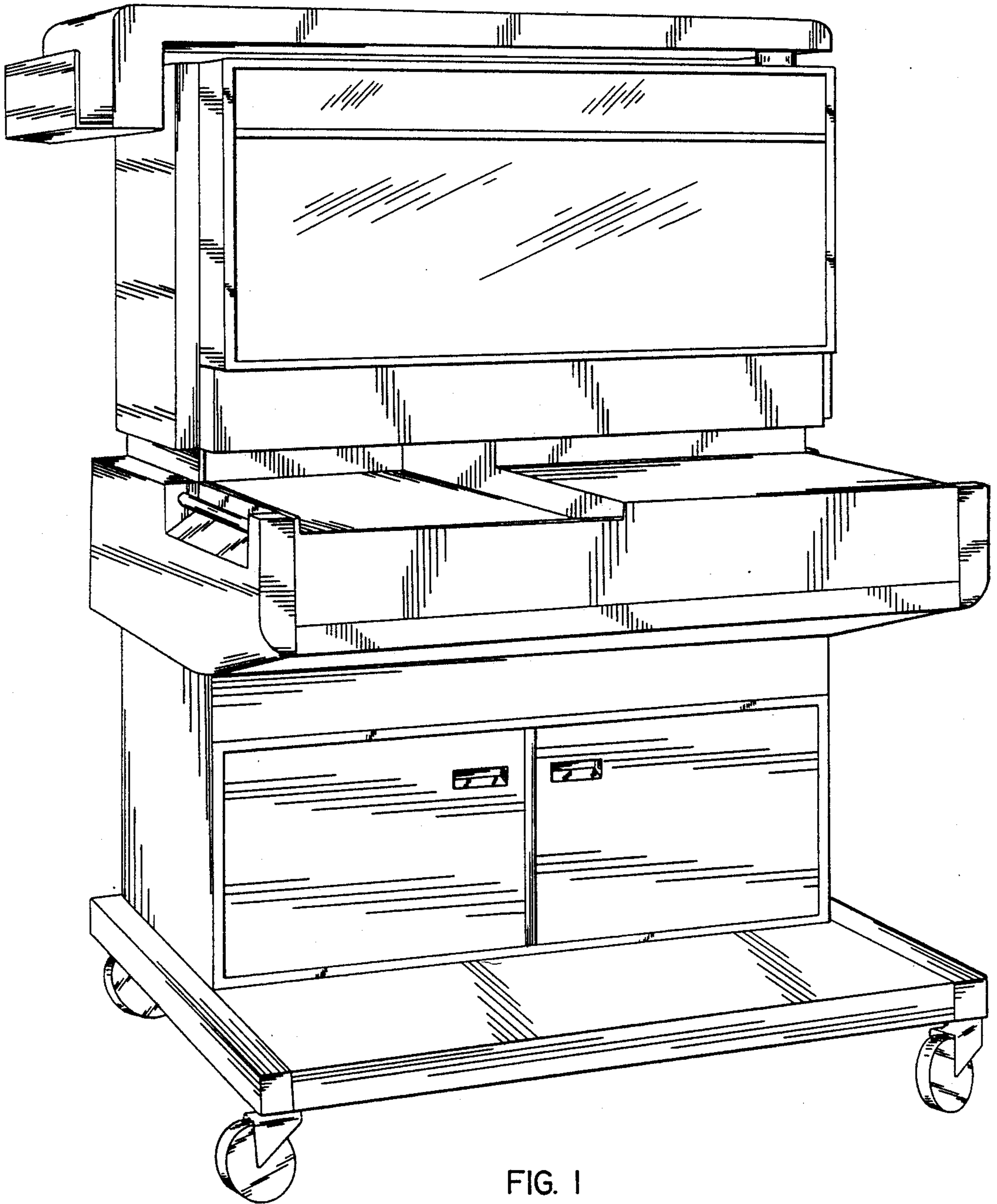


FIG. 1

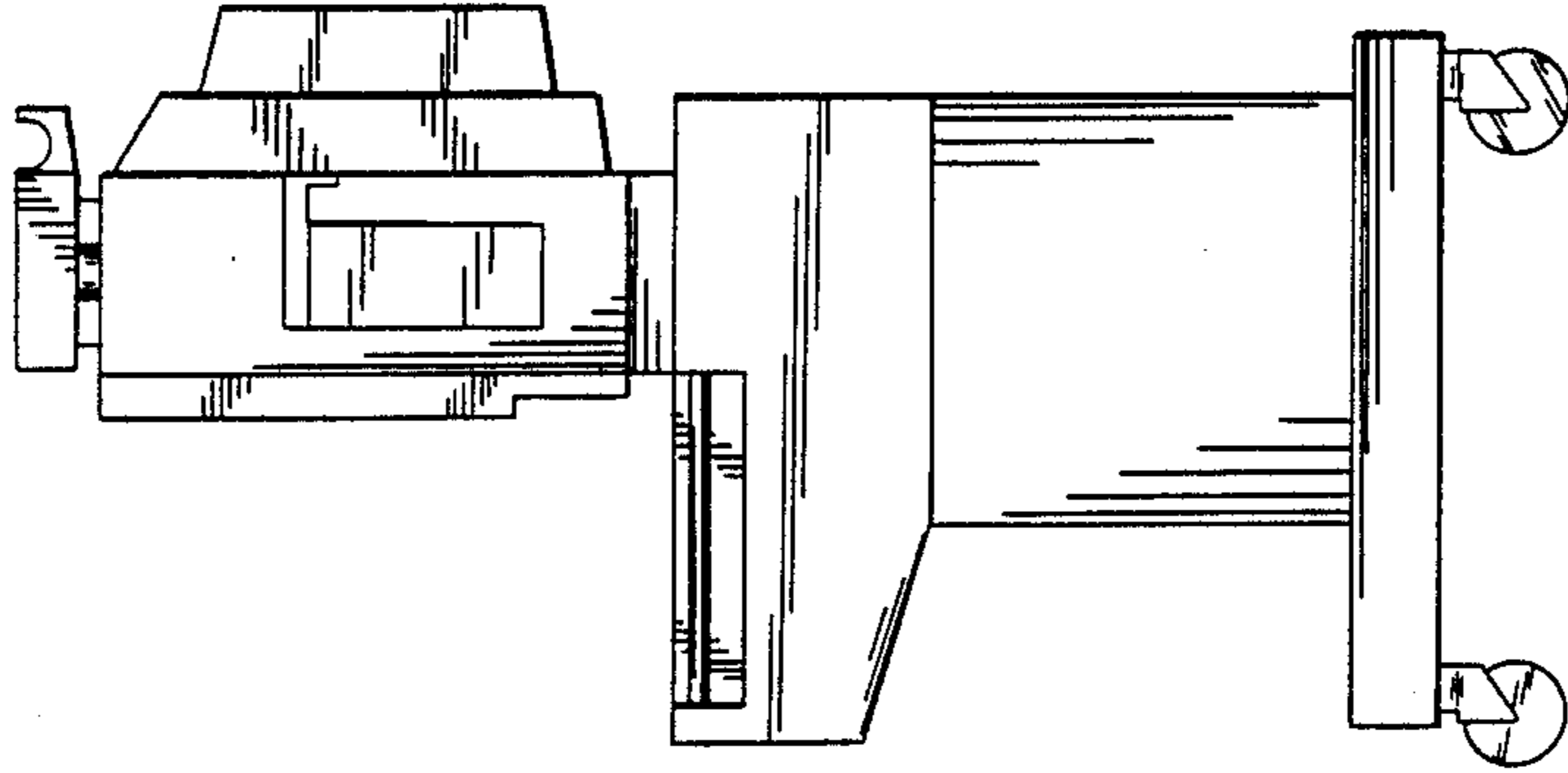


FIG. 4

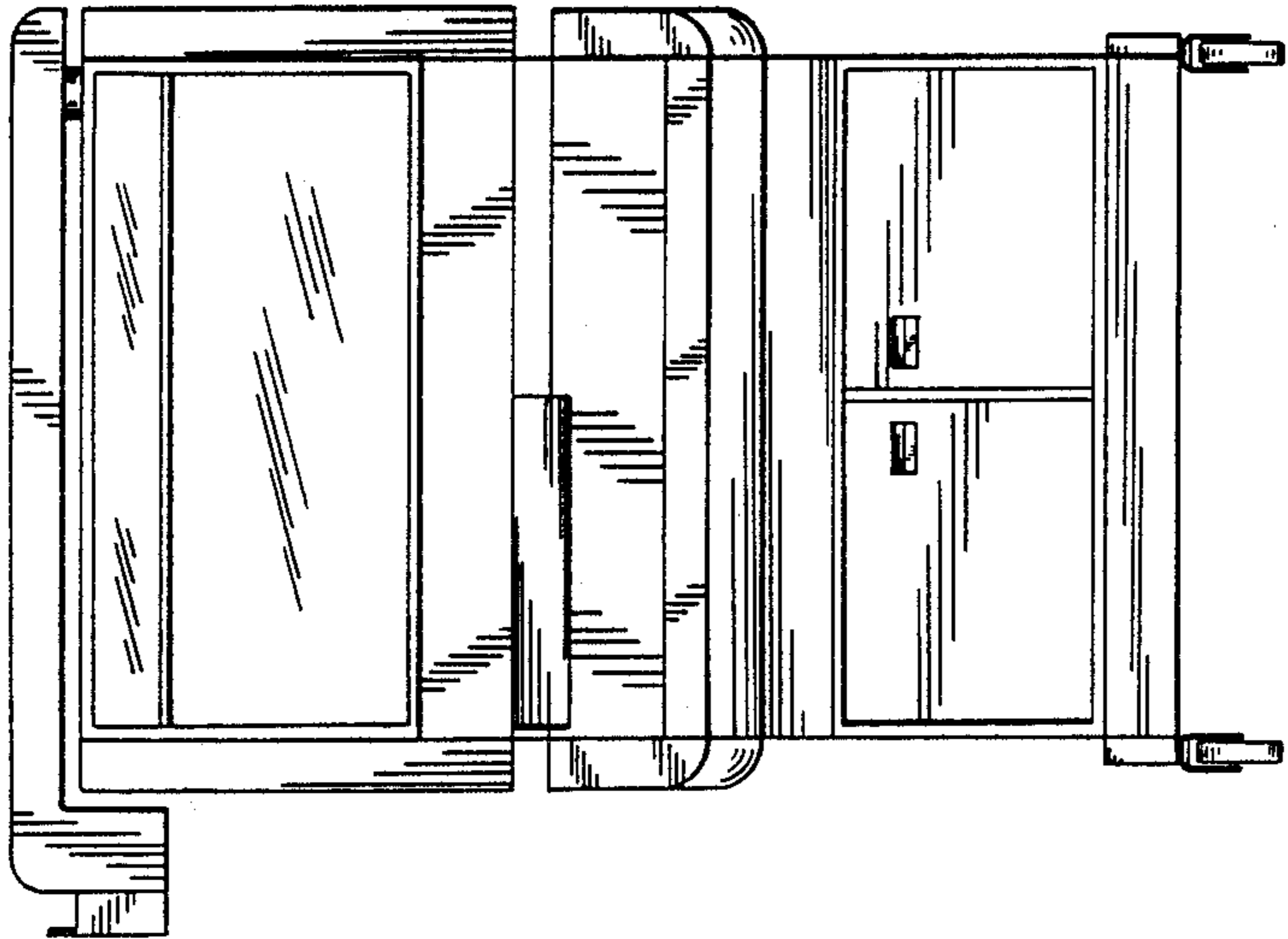


FIG. 2

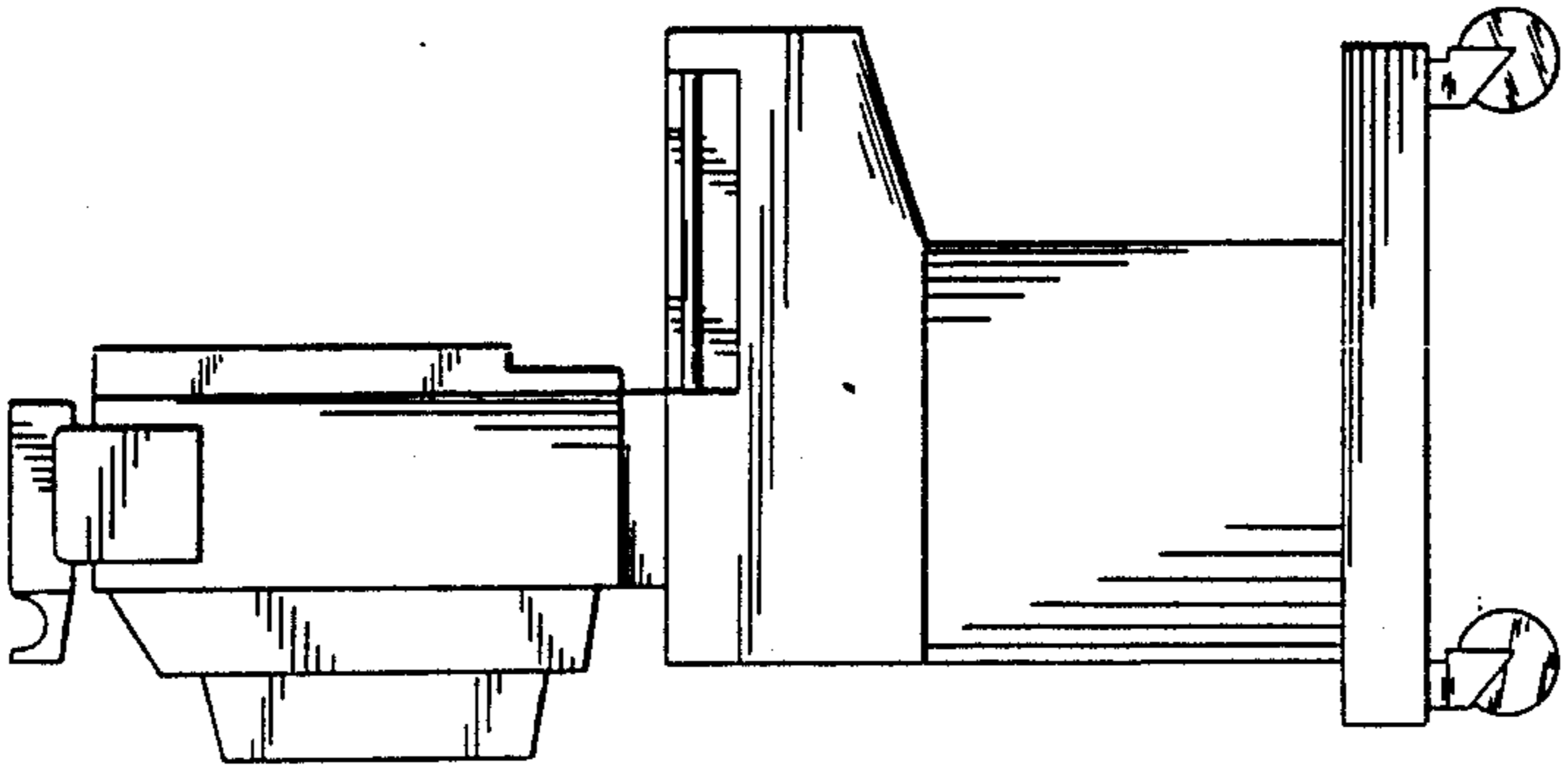


FIG. 3

FIG. 6

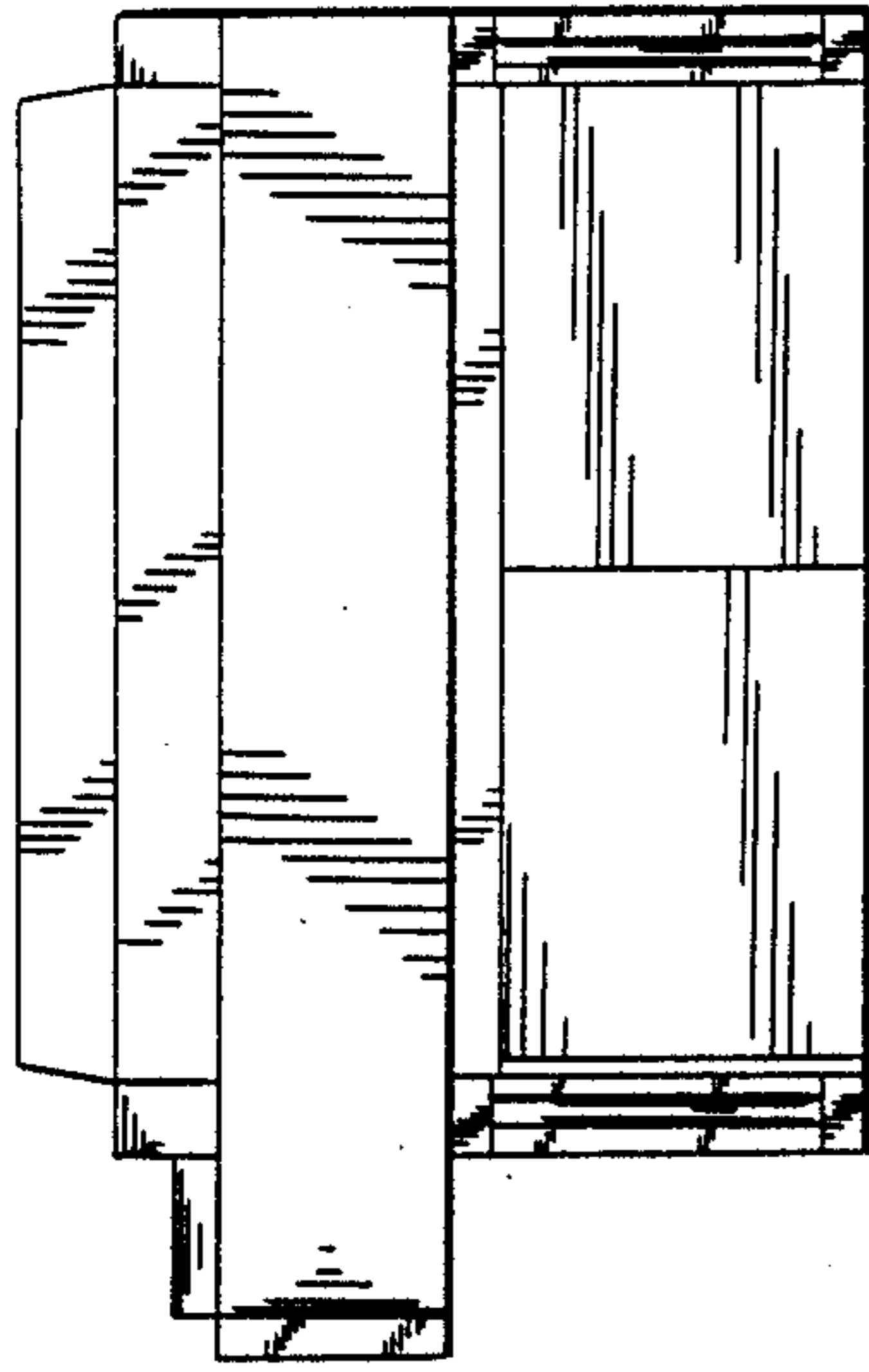


FIG. 7

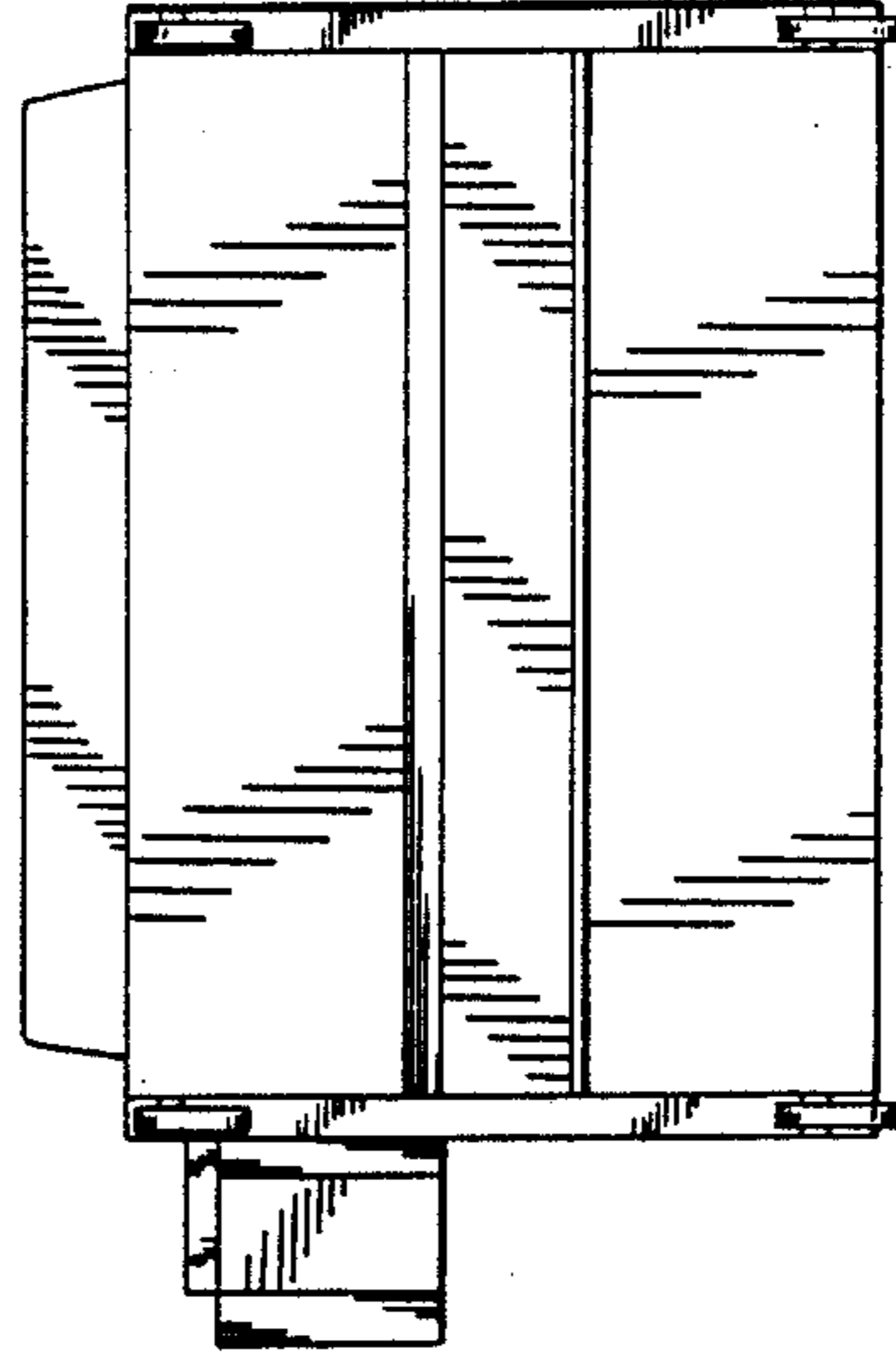


FIG. 5

