

[54] WATCH DISPLAY CASE

[75] Inventor: Thomas J. Harvey, Pawtucket, R.I.

[73] Assignee: International Packaging Corporation, Pawtucket, R.I.

[**] Term: 14 Years

[21] Appl. No.: 104,811

[22] Filed: Oct. 5, 1987

[52] U.S. Cl. D9/424

[58] Field of Search D9/424, 426, 433, 422, D9/423, 418, 414, 455, 457; 206/44 R, 45.23, 45.28, 45.15, 45.19, 18; 224/180, 152, 903

2,314,943 3/1943 Jensen 206/557

3,162,997 12/1964 Schmidt 206/45.18

4,199,059 4/1980 Maroszek 206/45.18

4,216,858 8/1980 Beauchamp 206/45.18 X

Primary Examiner—Bernard Ansher
 Assistant Examiner—Prabhakar Deshmukh
 Attorney, Agent, or Firm—Salter & Michaelson

[57] CLAIM

The ornamental design for a watch display case, as shown and described.

DESCRIPTION

FIG. 1 is a front elevational view of a watch display case showing my new design;

FIG. 2 is a left side elevational view thereof, the right side being a mirror image;

FIG. 3 is a top plan view thereof;

FIG. 4 is a bottom plan view thereof;

FIG. 5 is a rear elevational view thereof; and

FIG. 6 is an exploded perspective view showing the case with the cover separated therefrom.

[56] References Cited

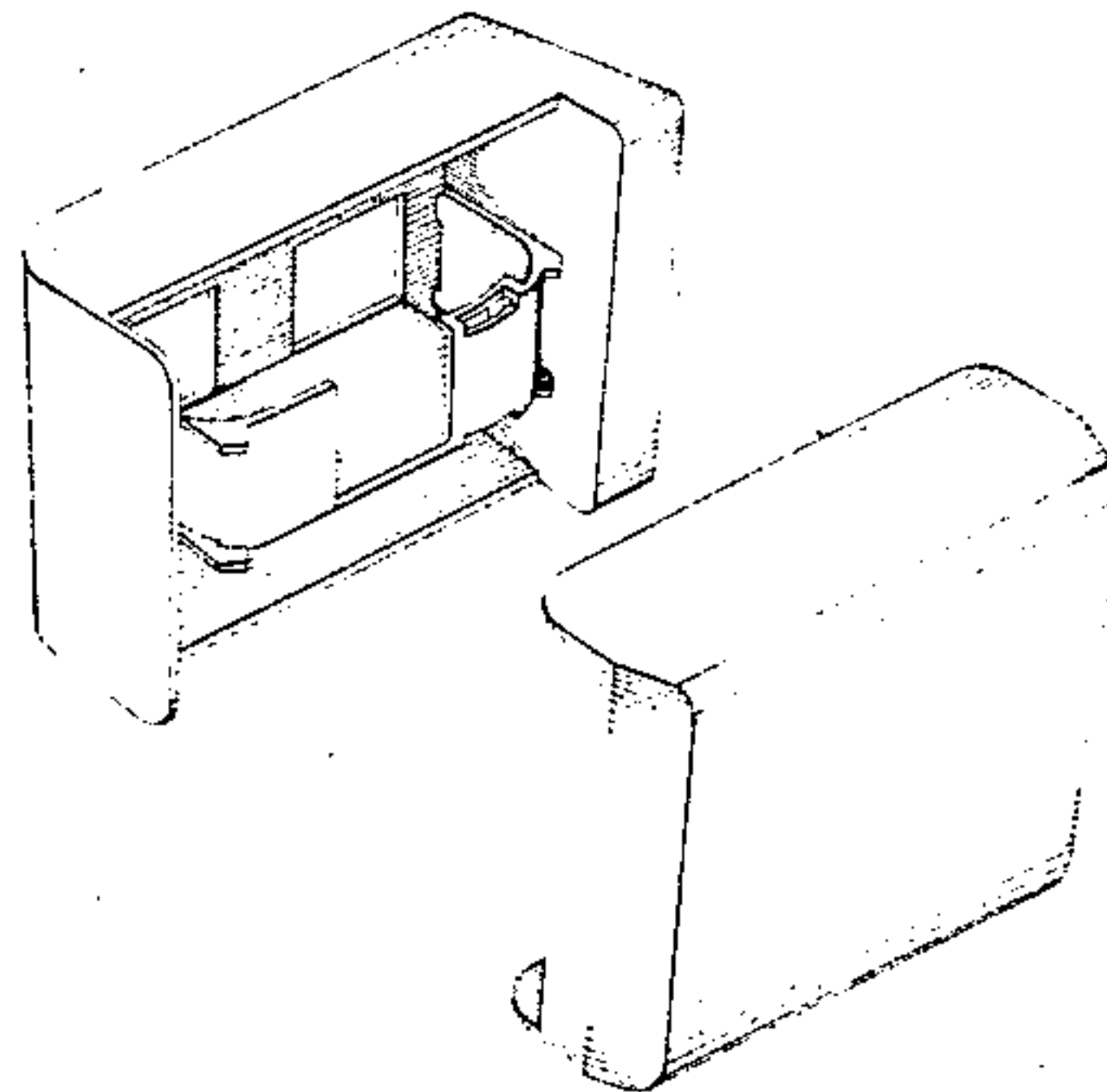
U.S. PATENT DOCUMENTS

D. 214,160 5/1969 Beck D9/420

D. 240,202 6/1976 Ferguson D9/422

D. 240,203 6/1976 Ferguson D9/422

D. 263,797 4/1982 Beauchamp D9/424



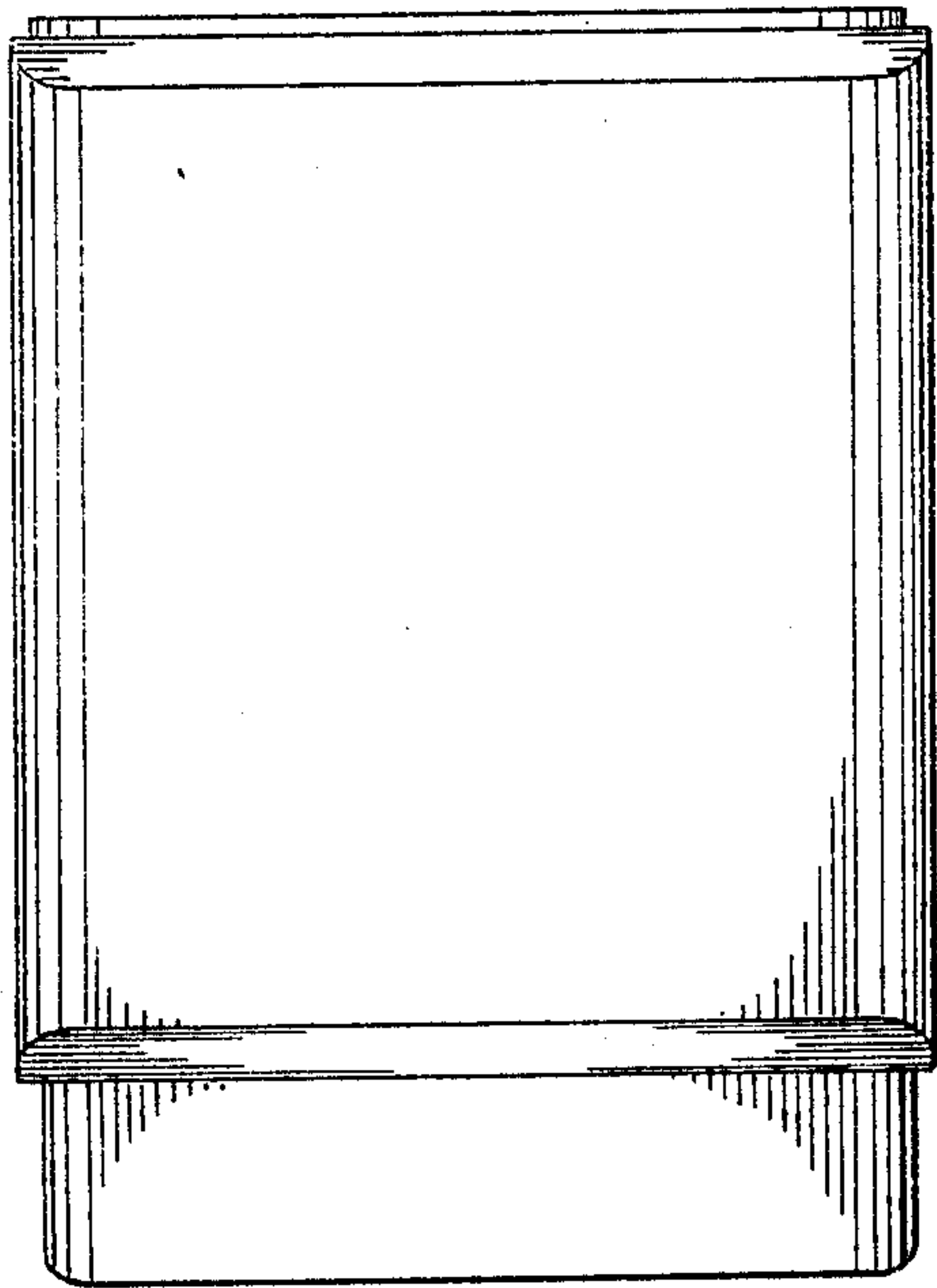


FIG. 1

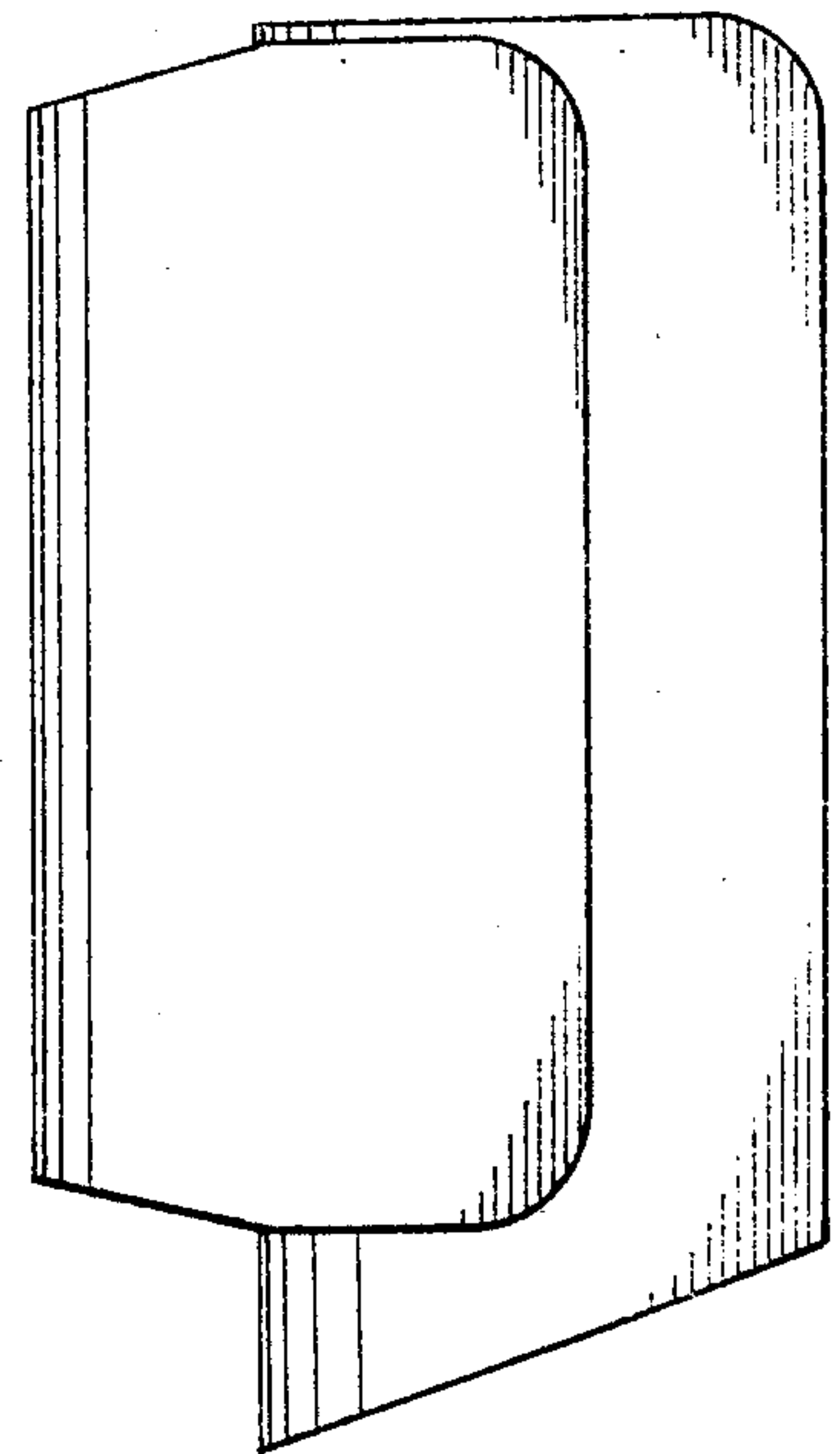


FIG. 2

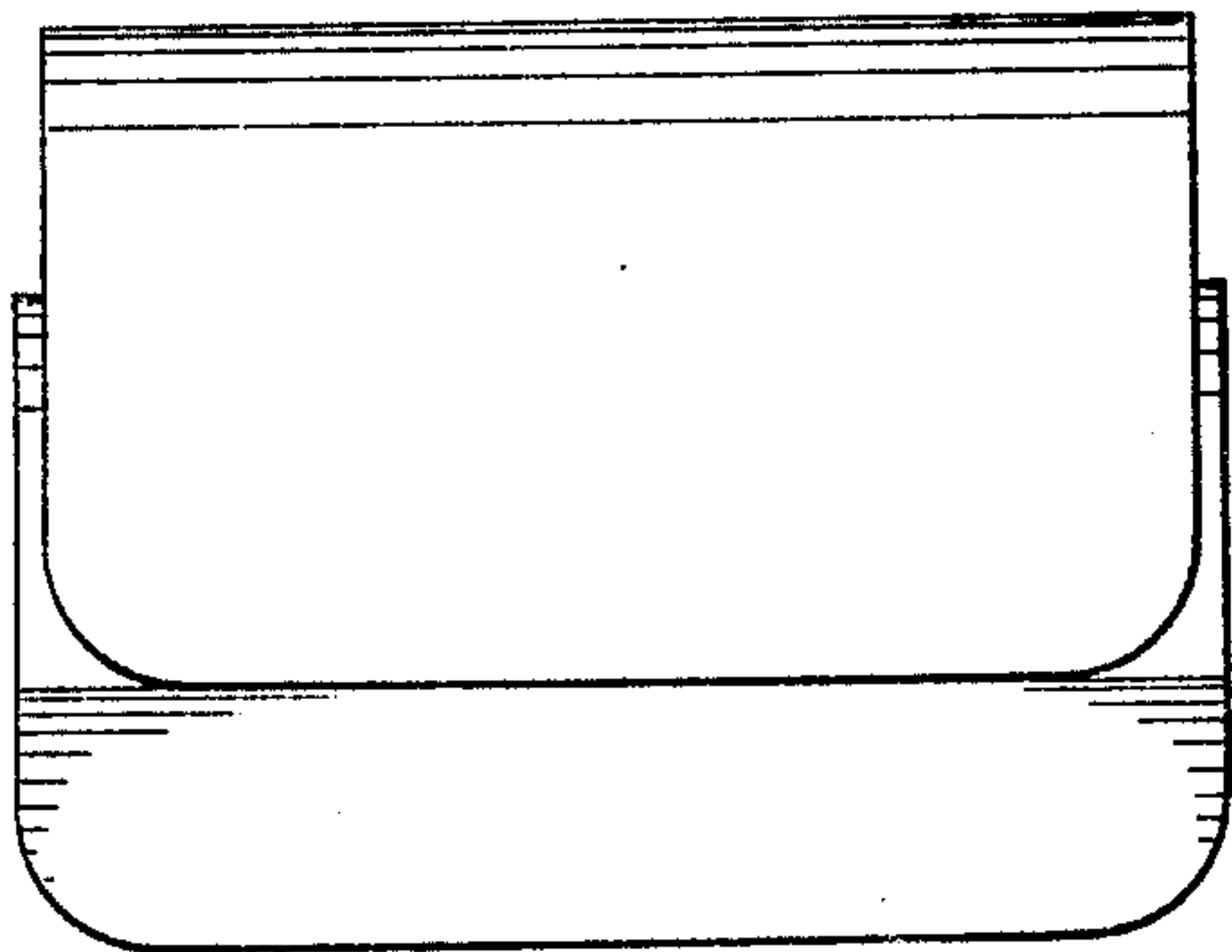


FIG. 3

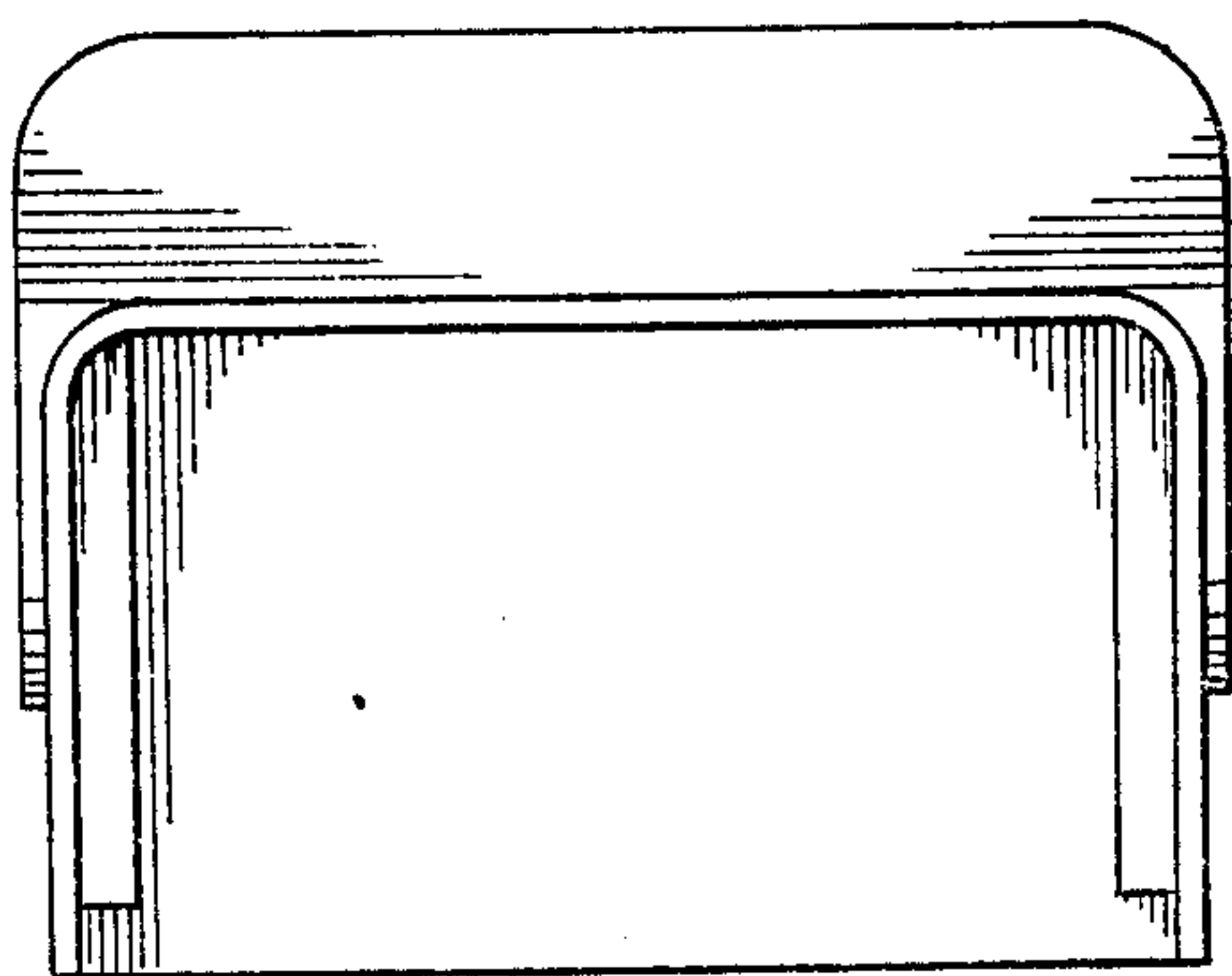


FIG. 4

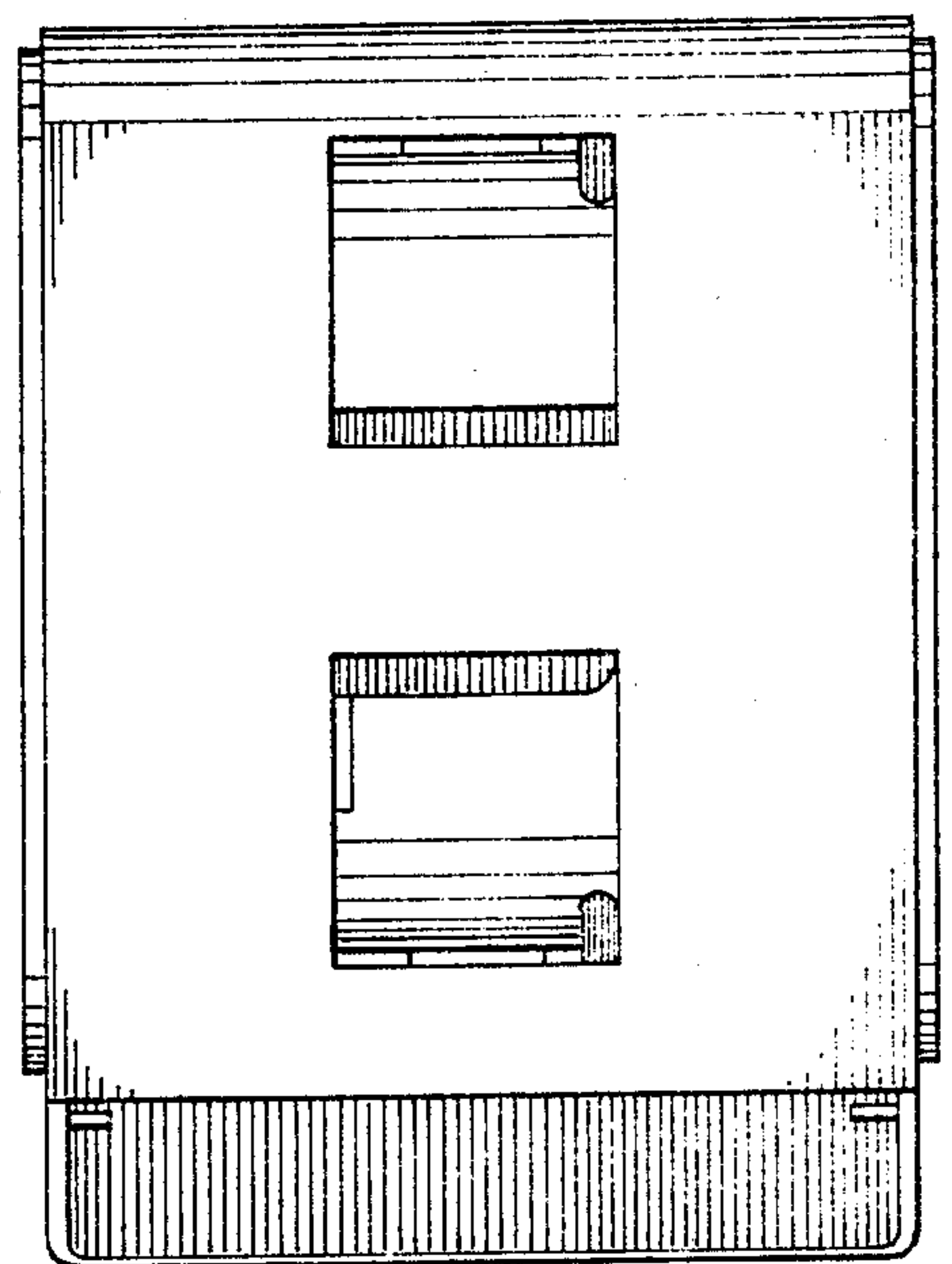


FIG. 5

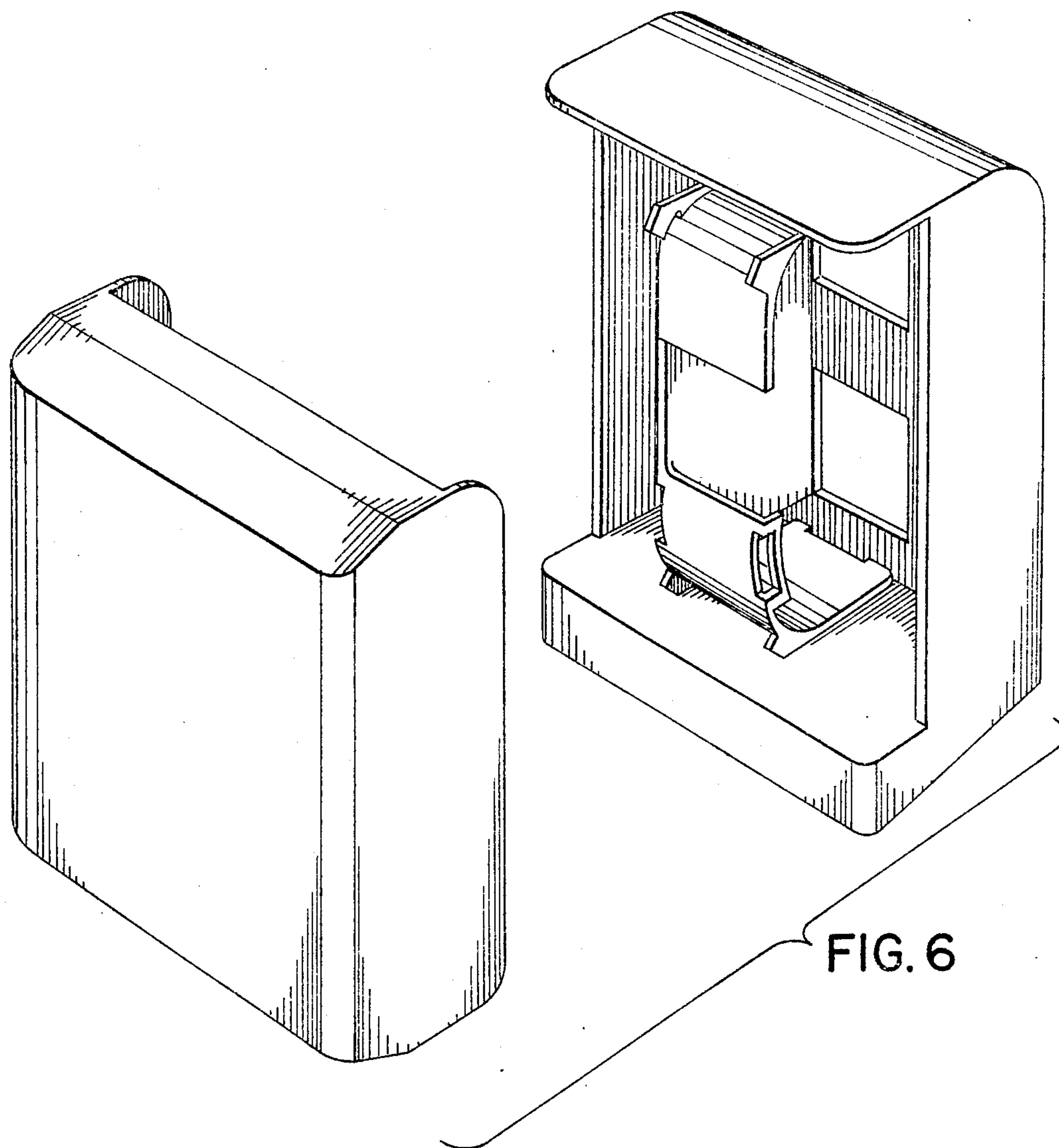


FIG. 6