

[54] WEATHER-RESISTANT ASSEMBLY FOR PROTECTING OUTDOOR DUPLEX ELECTRICAL RECEPTACLES

4,058,358 11/1977 Carlisle 220/242 X
4,134,516 1/1979 Sullo 220/242
4,197,959 4/1980 Kramer 174/67 X

[75] Inventor: David Grenell, North Woodmere, N.Y.

Primary Examiner—Susan J. Lucas
Attorney, Agent, or Firm—Kirschstein, Ottinger, Israel & Schiffmiller

[73] Assignee: Greenfield Diecasting Corp., Freeport, N.Y.

[57] CLAIM

[**] Term: 14 Years

The ornamental design for a weather-resistant assembly for protecting outdoor duplex electrical receptacles, as shown and described.

[21] Appl. No.: 66,403

DESCRIPTION

[22] Filed: Jun. 25, 1987

[52] U.S. Cl. D8/353; D13/156

[58] Field of Search D13/31; D8/350, 353; 439/136, 140, 142, 144, 147; 174/66, 67; 220/241, 242

FIG. 1 is a front elevational view of a weather-resistant cover assembly for protecting outdoor duplex electrical receptacles showing my new design, with one cover closed and one cover open, it being understood that the two covers are identical;

[56] References Cited

U.S. PATENT DOCUMENTS

D. 273,084 3/1984 Henkel D8/353
D. 275,173 8/1984 Mastro et al. D8/353
3,716,815 2/1973 Riches 174/67 X

FIG. 2 is a right side elevational view thereof;

FIG. 3 is a top plan view thereof;

FIG. 4 is a left side elevational view thereof;

FIG. 5 is a rear elevational view thereof;

FIG. 6 is a bottom plan view thereof.

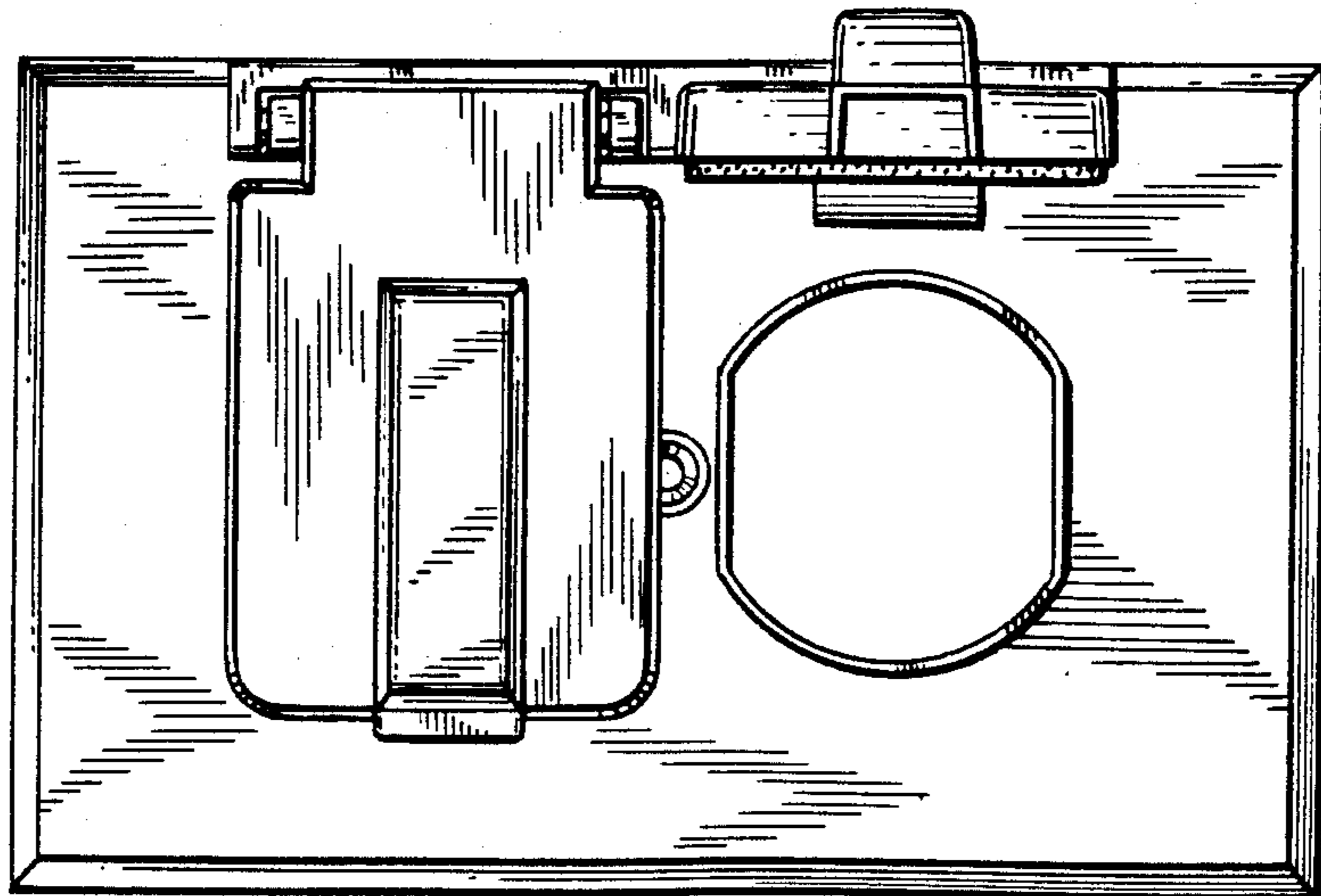


FIG. 2

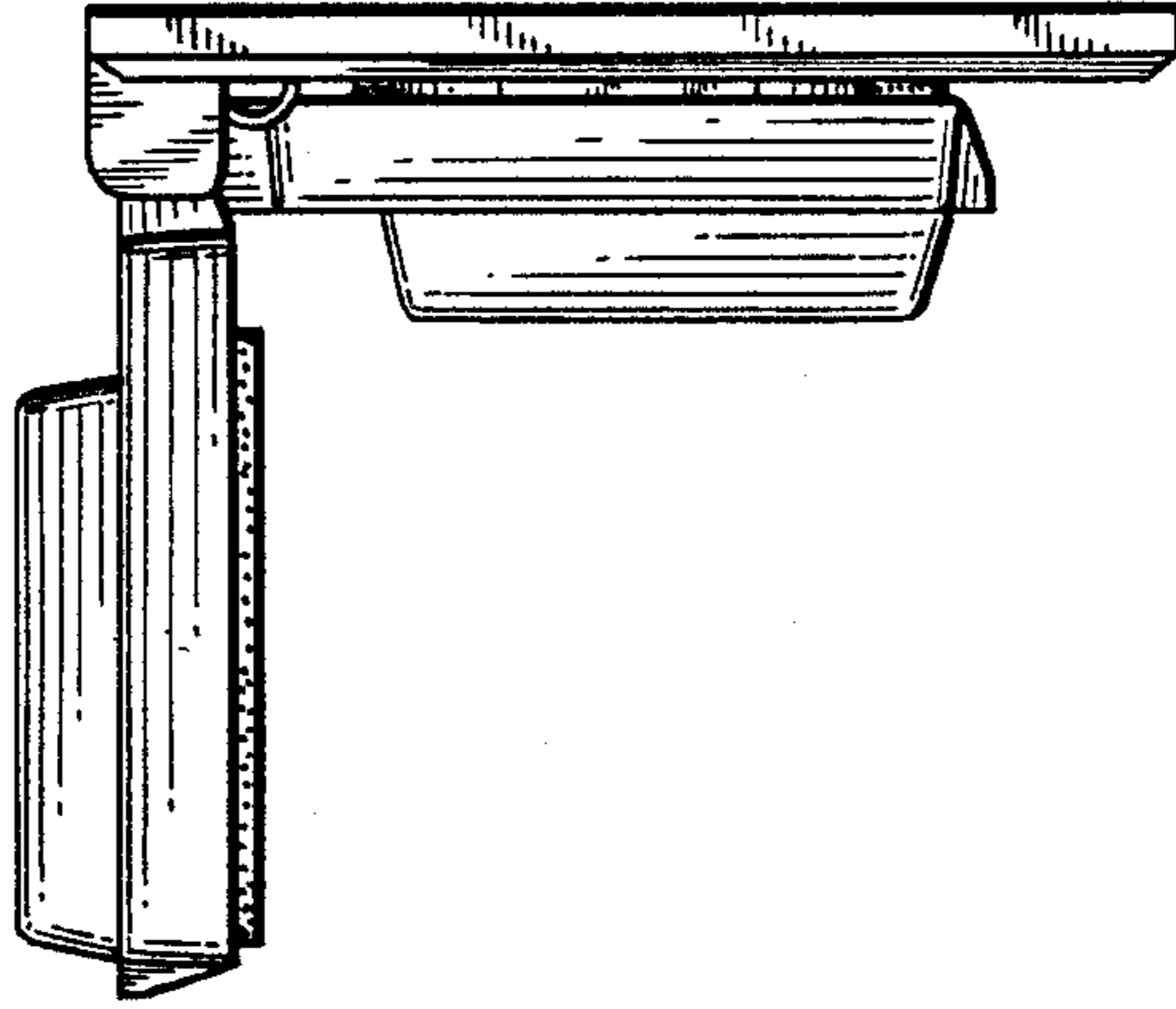


FIG. 1

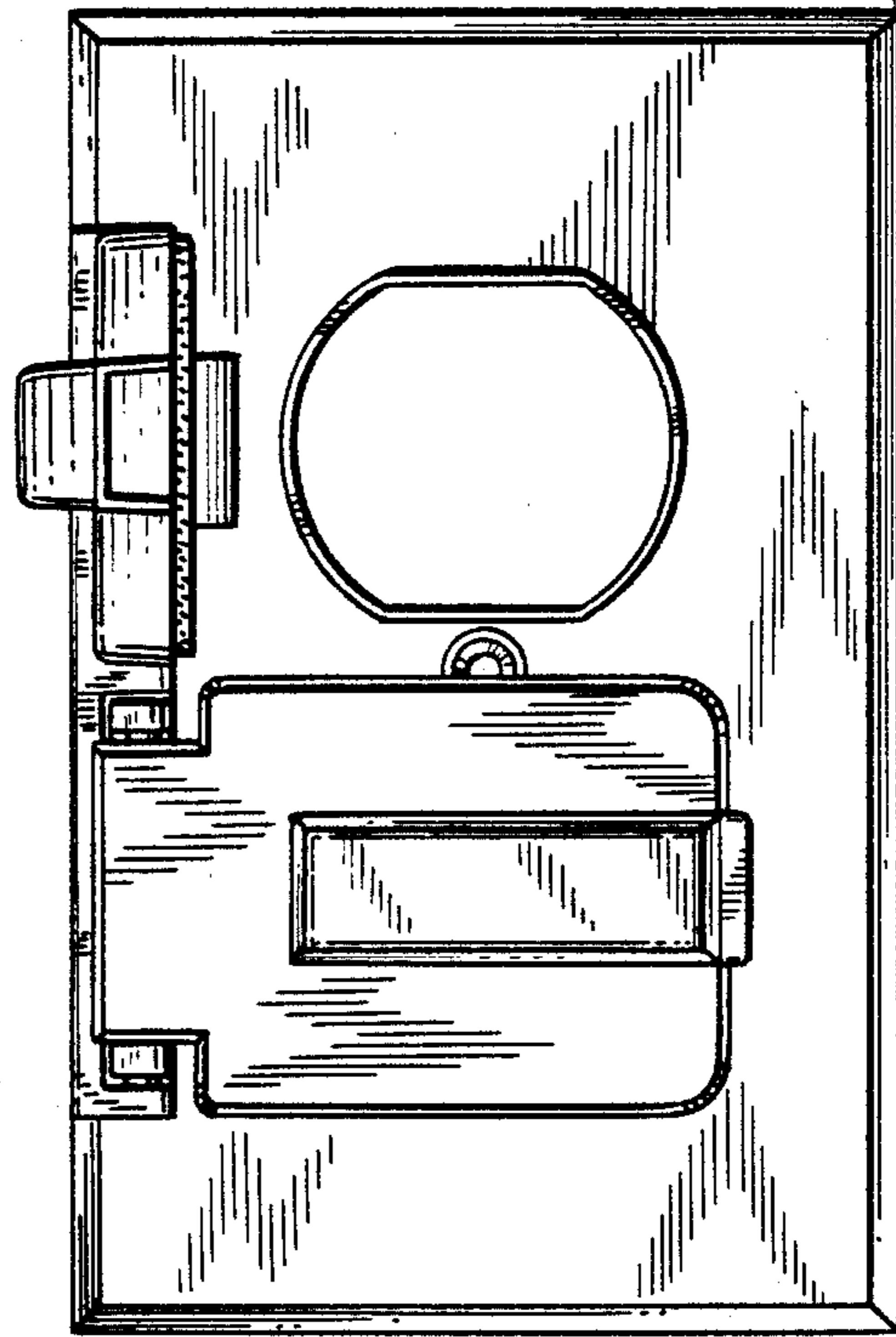


FIG. 3

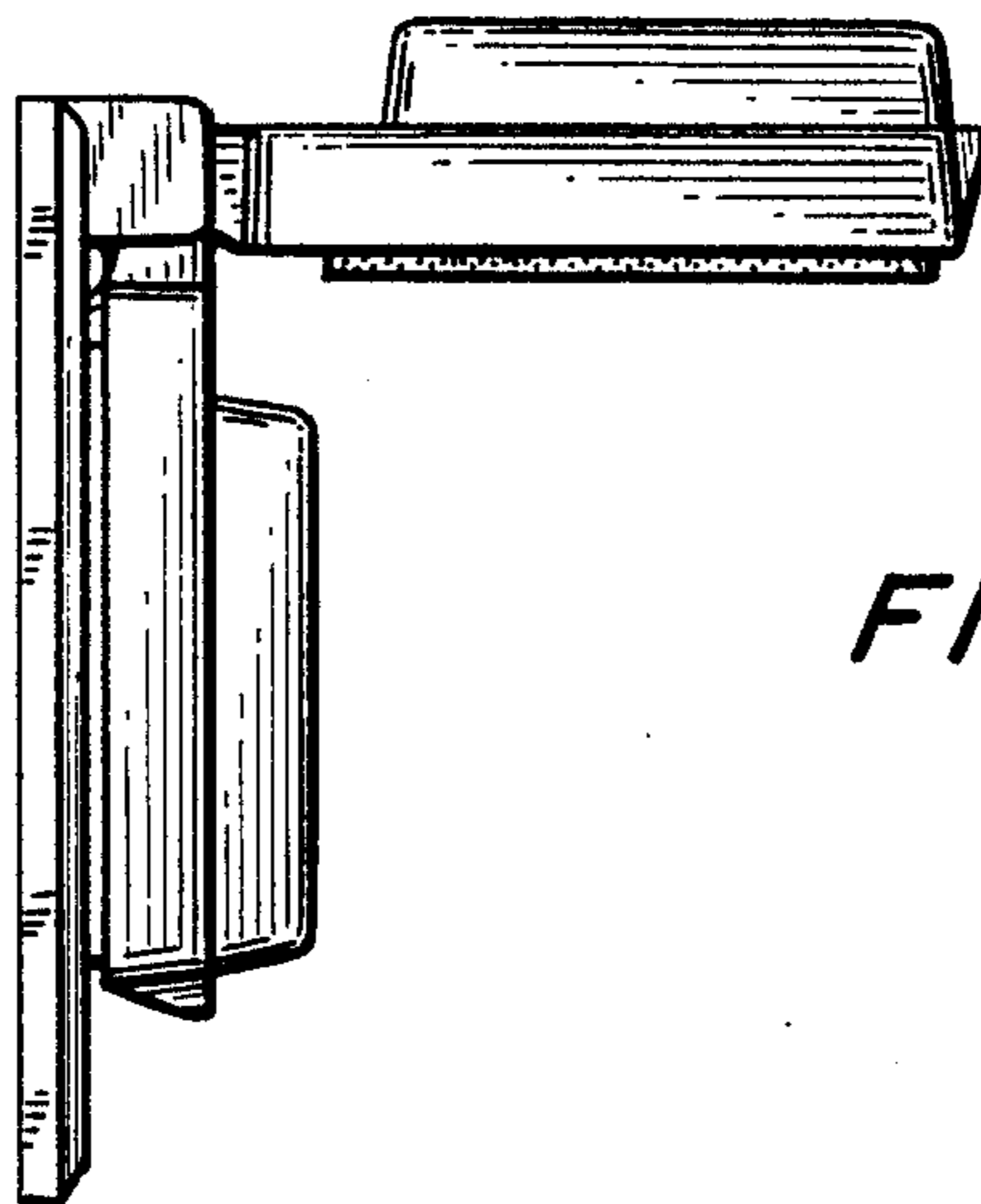
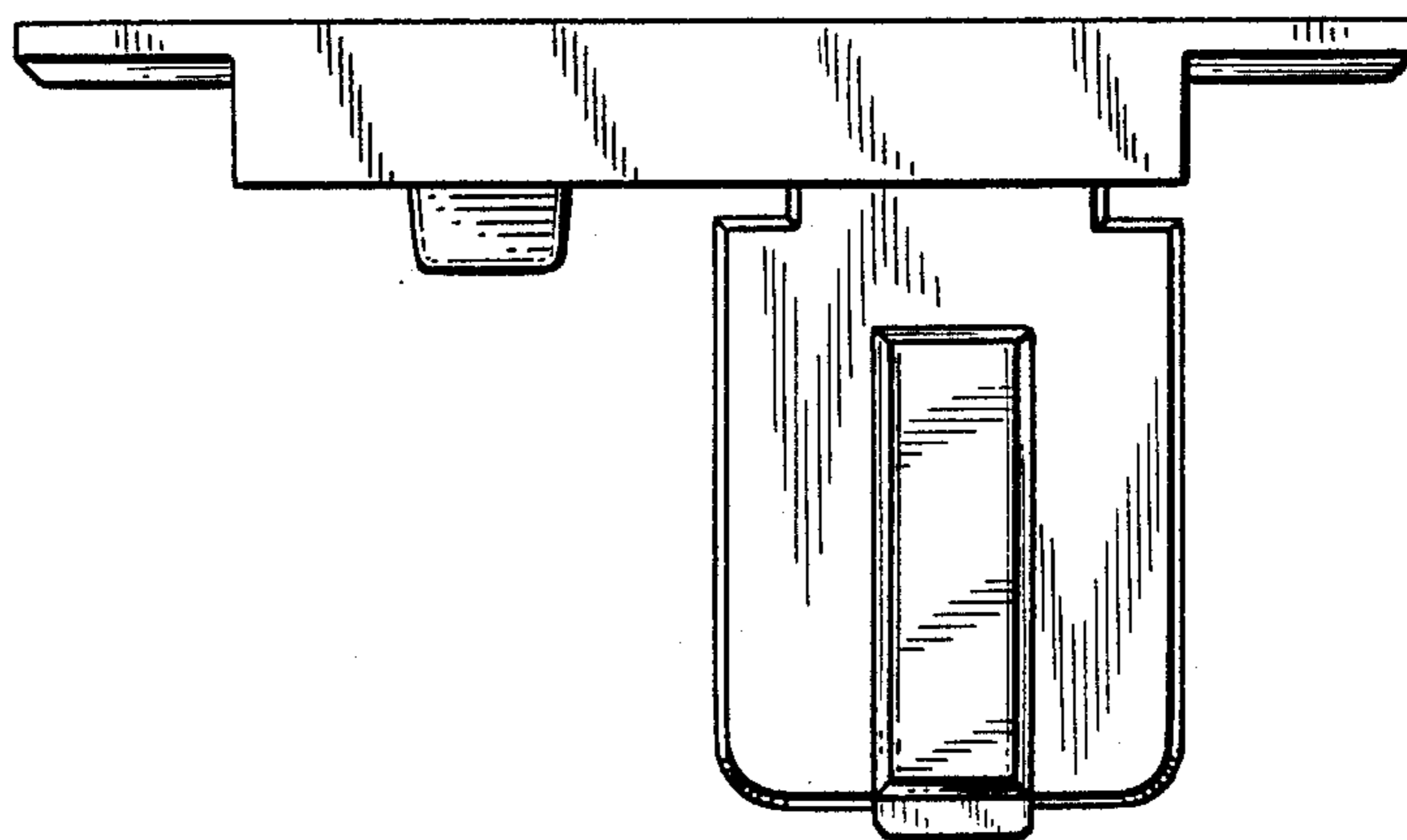


FIG. 4

FIG. 5

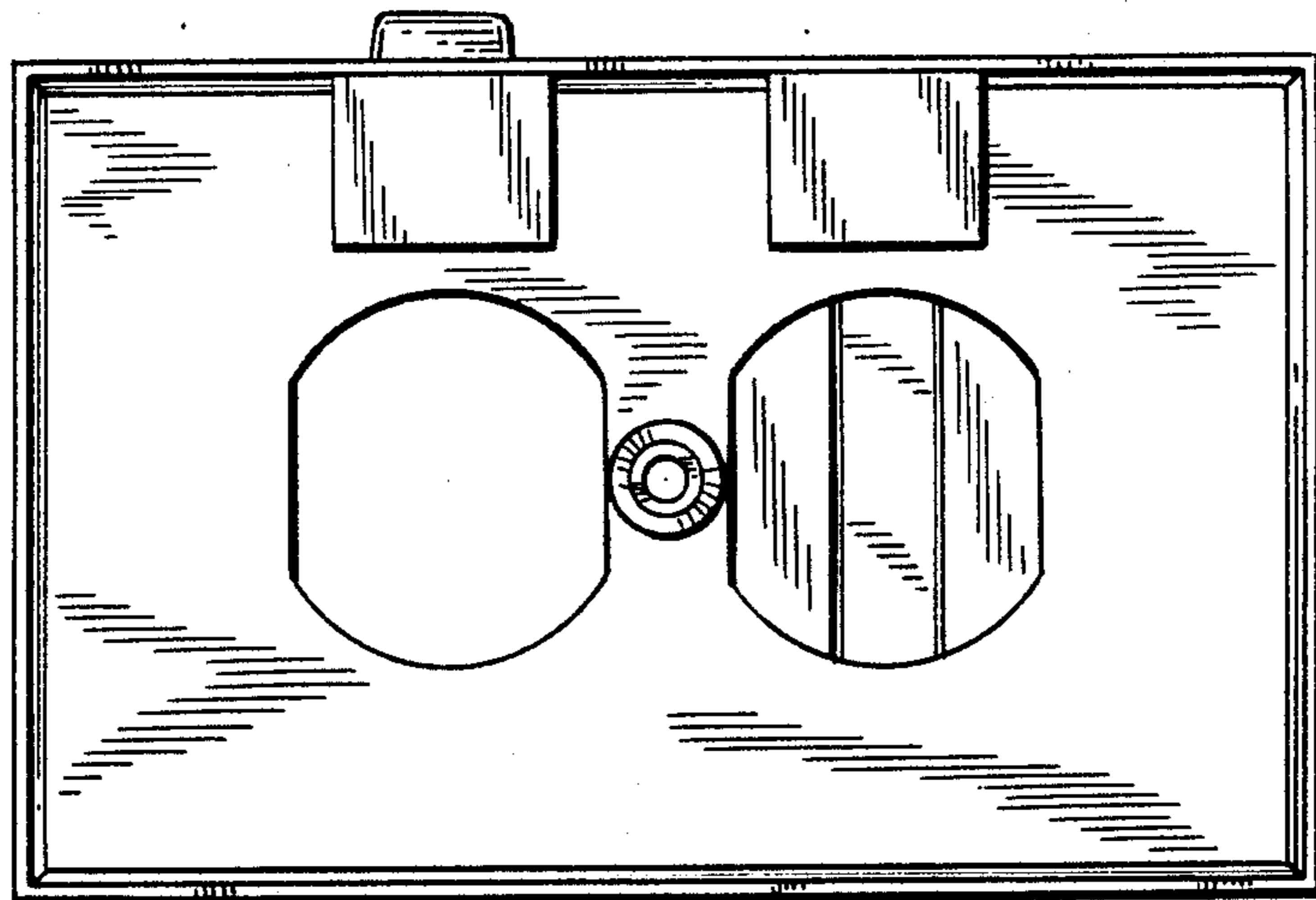


FIG. 6

