

[54] PORTABLE ELECTRIC GRINDER

[75] Inventor: Masaharu Tohdoh, Hiroshima, Japan

[73] Assignee: Ryobi Ltd., Hiroshima, Japan

[**] Term: 14 Years

[21] Appl. No.: 94,790

[22] Filed: Sep. 8, 1987

[30] Foreign Application Priority Data

Mar. 9, 1987 [JP] Japan 62-8997

[52] U.S. Cl. D8/62

[58] Field of Search D8/30, 61, 62; D19/53; D4/100, 101; D7/139; 51/170 PT; 81/54, 57.11, 57.14, 57.26; 173/163; 310/50

[56] References Cited

U.S. PATENT DOCUMENTS

2,906,067 9/1959 Hale 51/170 PT

FOREIGN PATENT DOCUMENTS

172443 10/1934 Fed. Rep. of Germany 81/54

OTHER PUBLICATIONS

AEG Power Tool Catalog; p. 27; bottom panel, Die Grinder #GSL-500.

Japanese Design Registration 624903 published May 11, 1984.

Japanese Design Registration 331965 published Jul. 7, 1971.

Primary Examiner—Winifred E. Herrmann

Assistant Examiner—John Warchol

Attorney, Agent, or Firm—Sughrue, Mion, Zinn, Macpeak & Seas

[57] CLAIM

The ornamental design for a portable electric grinder, as shown.

DESCRIPTION

FIG. 1 is a front, top and right side perspective view of a portable electric grinder showing my new design, FIG. 2 is a right side elevational view thereof; FIG. 3 is a left side elevational view thereof; FIG. 4 is a front elevational view thereof; FIG. 5 is a rear elevational view thereof; FIG. 6 is a top plan view thereof; and FIG. 7 is a bottom plan view thereof.

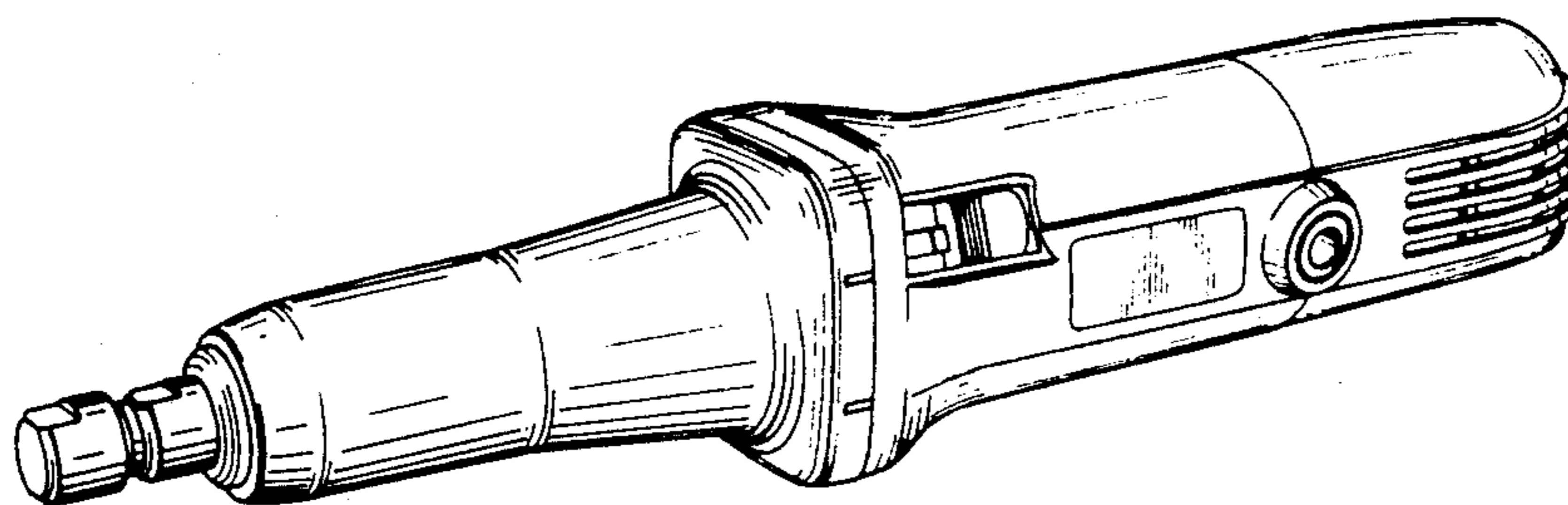


FIG. 1

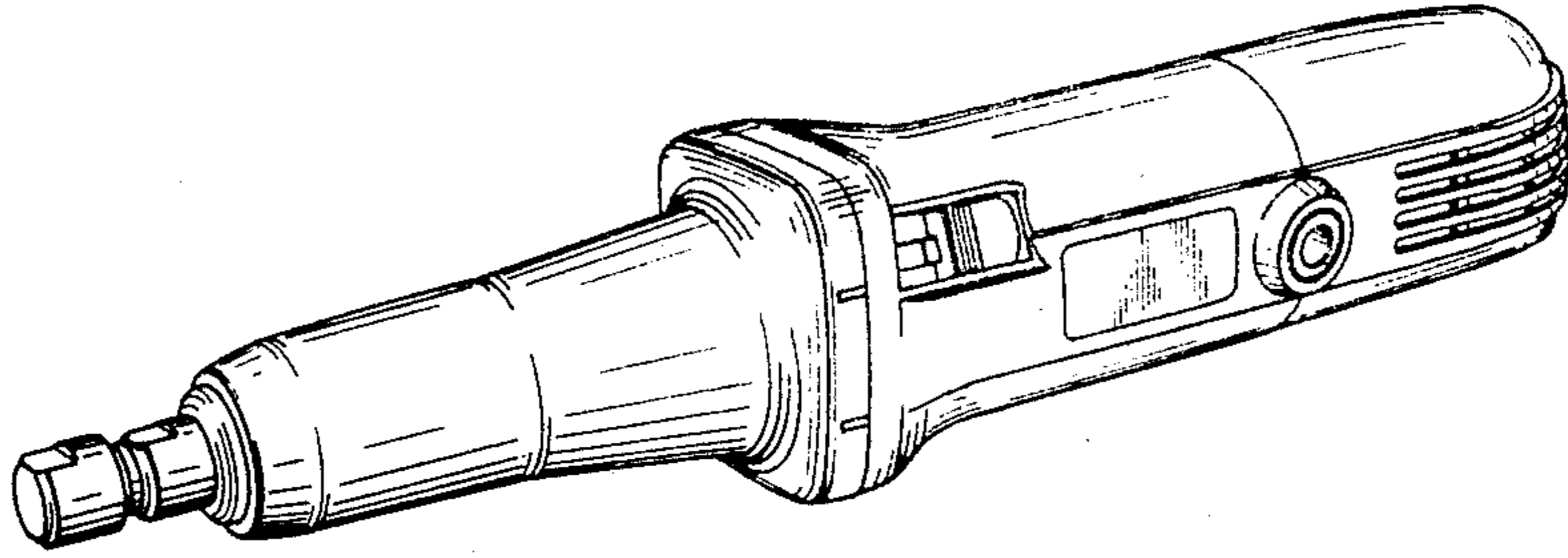


FIG. 2

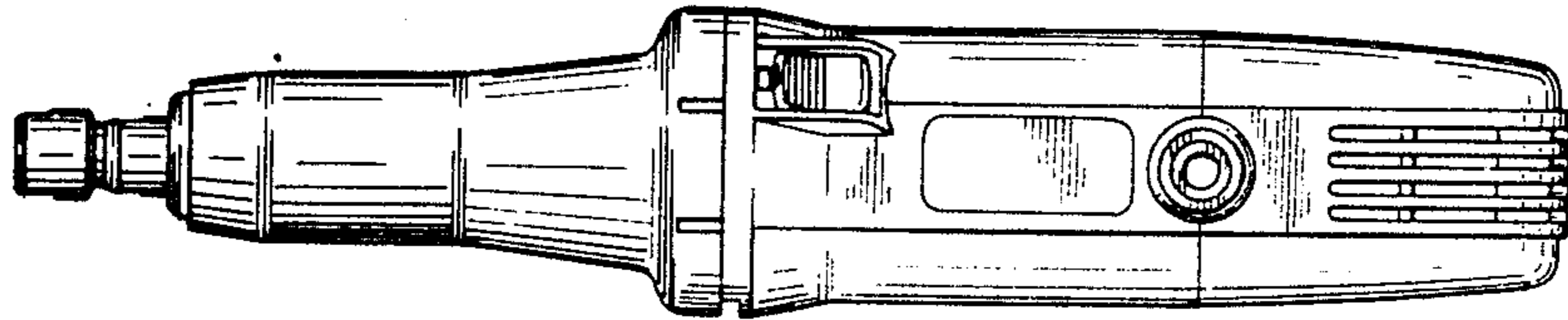


FIG. 3

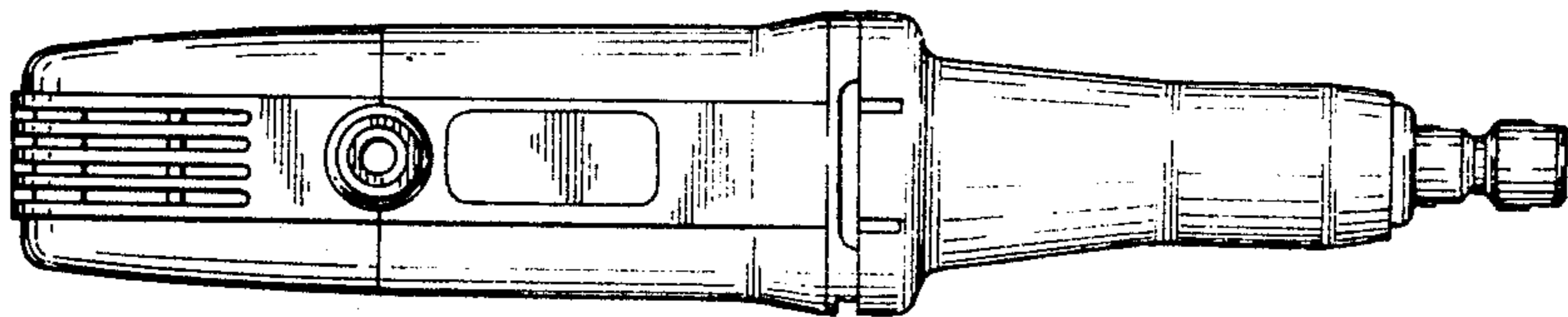


FIG. 4

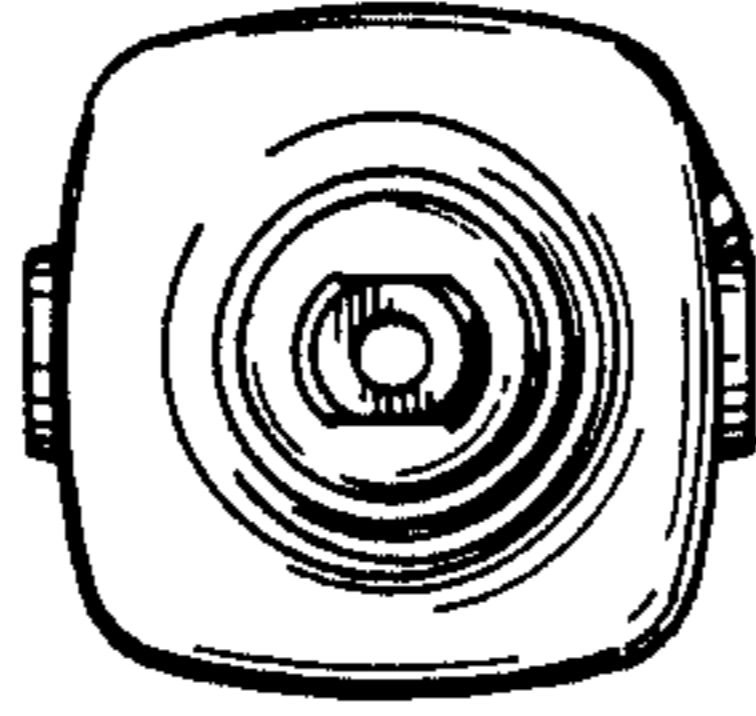


FIG. 5

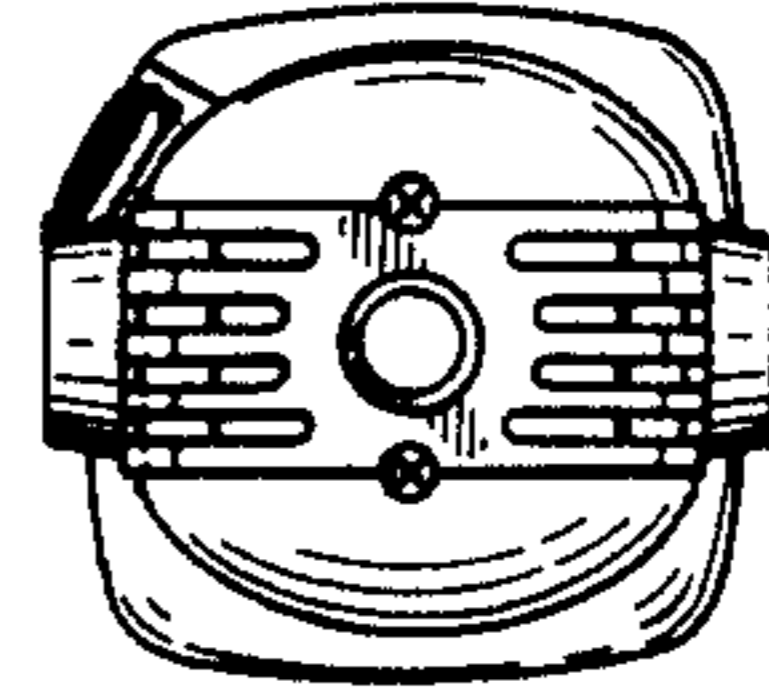


FIG. 6

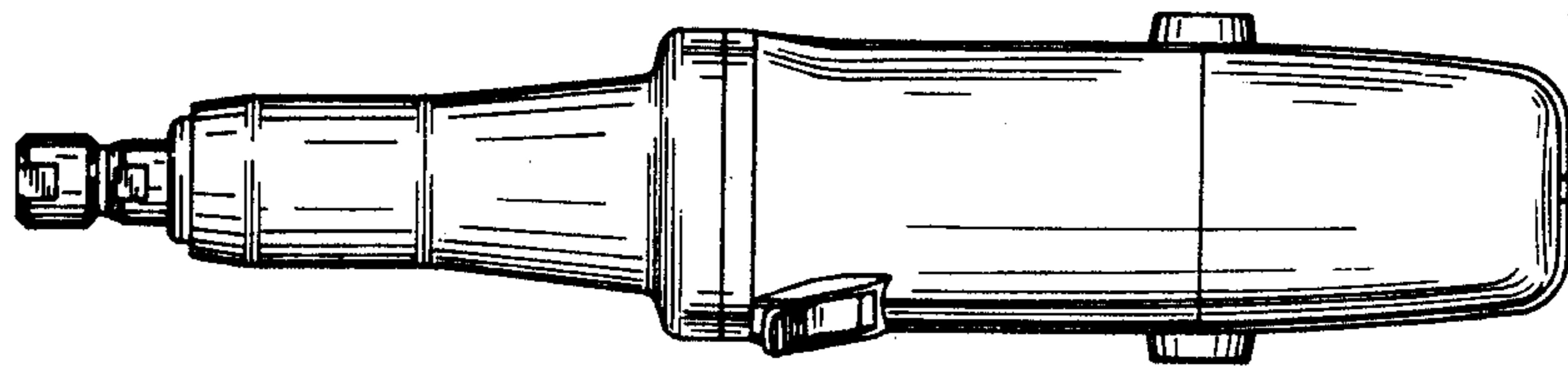


FIG. 7

