

United States Patent [19]

Taylor

[11] Patent Number: **Des. 310,467**

[45] Date of Patent: **** Sep. 11, 1990**

[54] **GOLF CLUB SHAFT EXTRACTOR**

[76] Inventor: **Gary R. Taylor**, 812 E. Aloha St.,
Camarillo, Calif. 93010

[**] Term: **14 Years**

[21] Appl. No.: **126,287**

[22] Filed: **Nov. 27, 1987**

[52] U.S. Cl. **D8/14**

[58] Field of Search **D8/14, 51, 88, 89;**
81/124.7, 124.1, 3.29, 437; 29/264, 263, 266

[56] **References Cited**

U.S. PATENT DOCUMENTS

D. 284,637	7/1986	Erickson et al.	D8/14
1,509,680	9/1924	Meek	81/124.1
3,634,921	1/1972	Gagnon	29/264
3,740,814	6/1973	Marshall	29/264

3,869,741	3/1975	Logan	81/437
3,972,104	8/1976	Partin et al.	D8/51 X
4,060,884	12/1977	Hamilton	29/263
4,305,193	12/1981	Anderson	29/263
4,422,355	12/1983	Burns, Jr.	81/3.29

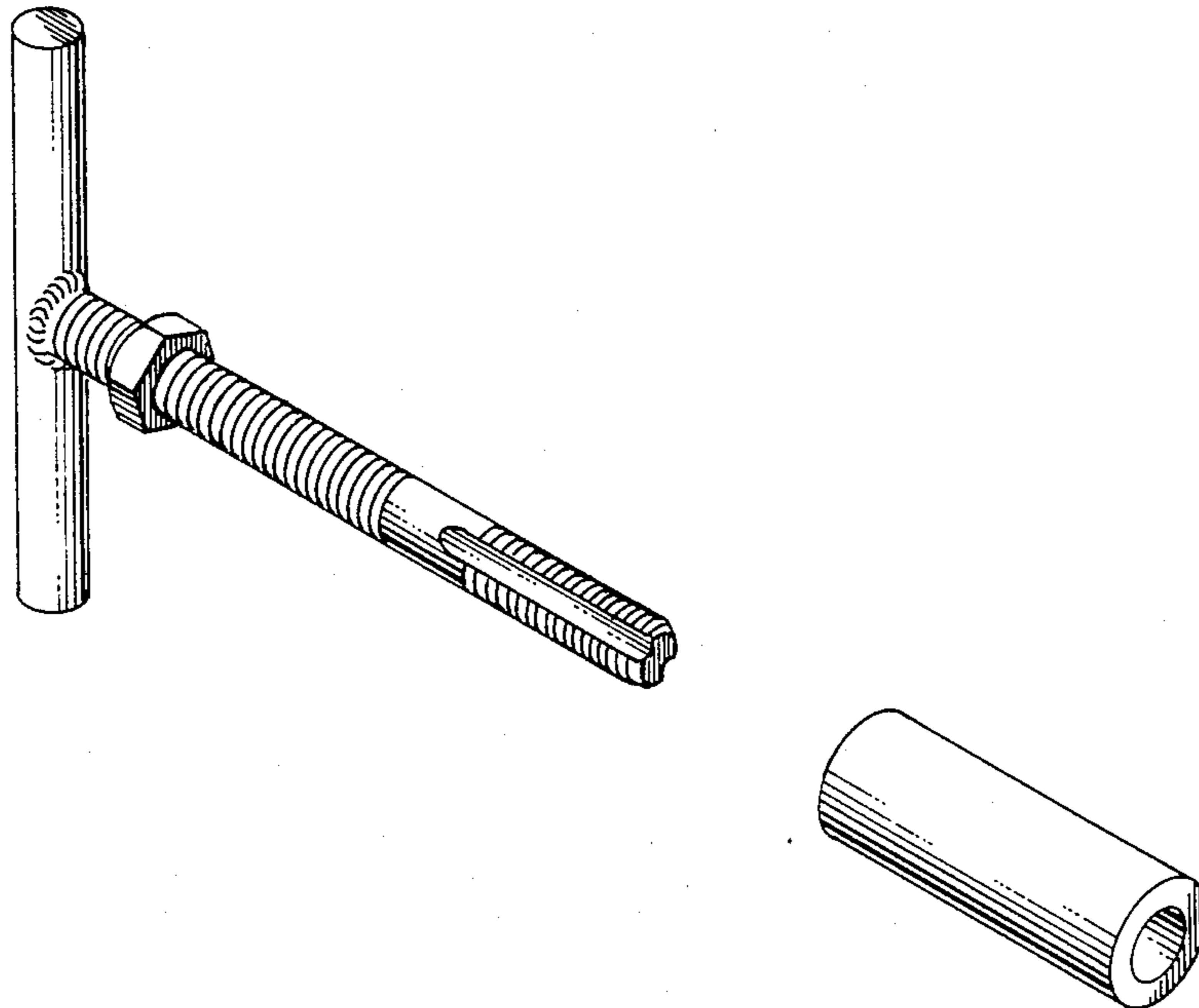
Primary Examiner—Bruce W. Dunkins
Assistant Examiner—Clare E. Heflin
Attorney, Agent, or Firm—Roger A. Marrs

[57] **CLAIM**

The ornamental design for a golf club shaft extractor, as shown.

DESCRIPTION

FIG. 1 is an exploded perspective of a golf club shaft extractor showing my new design;
FIG. 2 is a side elevational view thereof;
FIG. 3 is a top plan view thereof; and
FIG. 4 is a bottom plan view thereof.



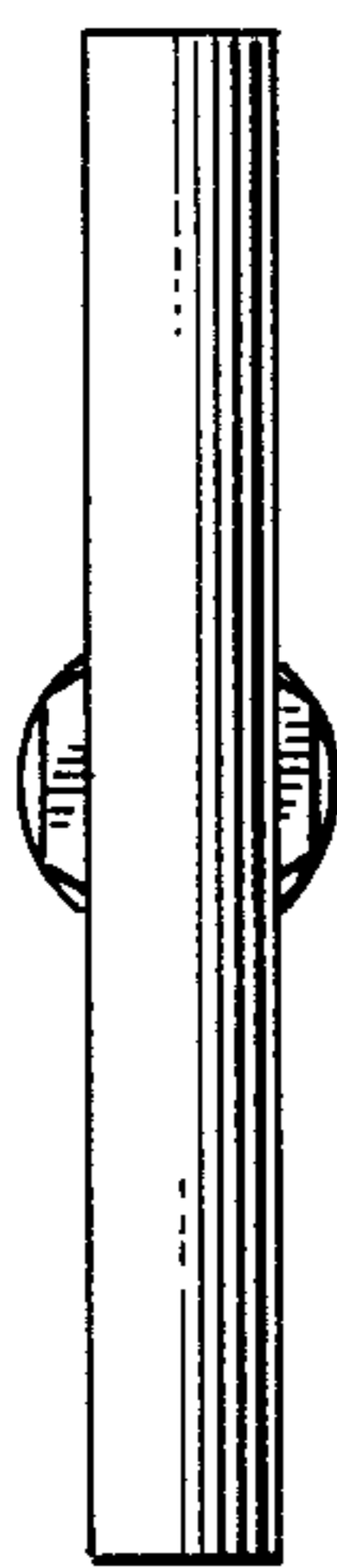
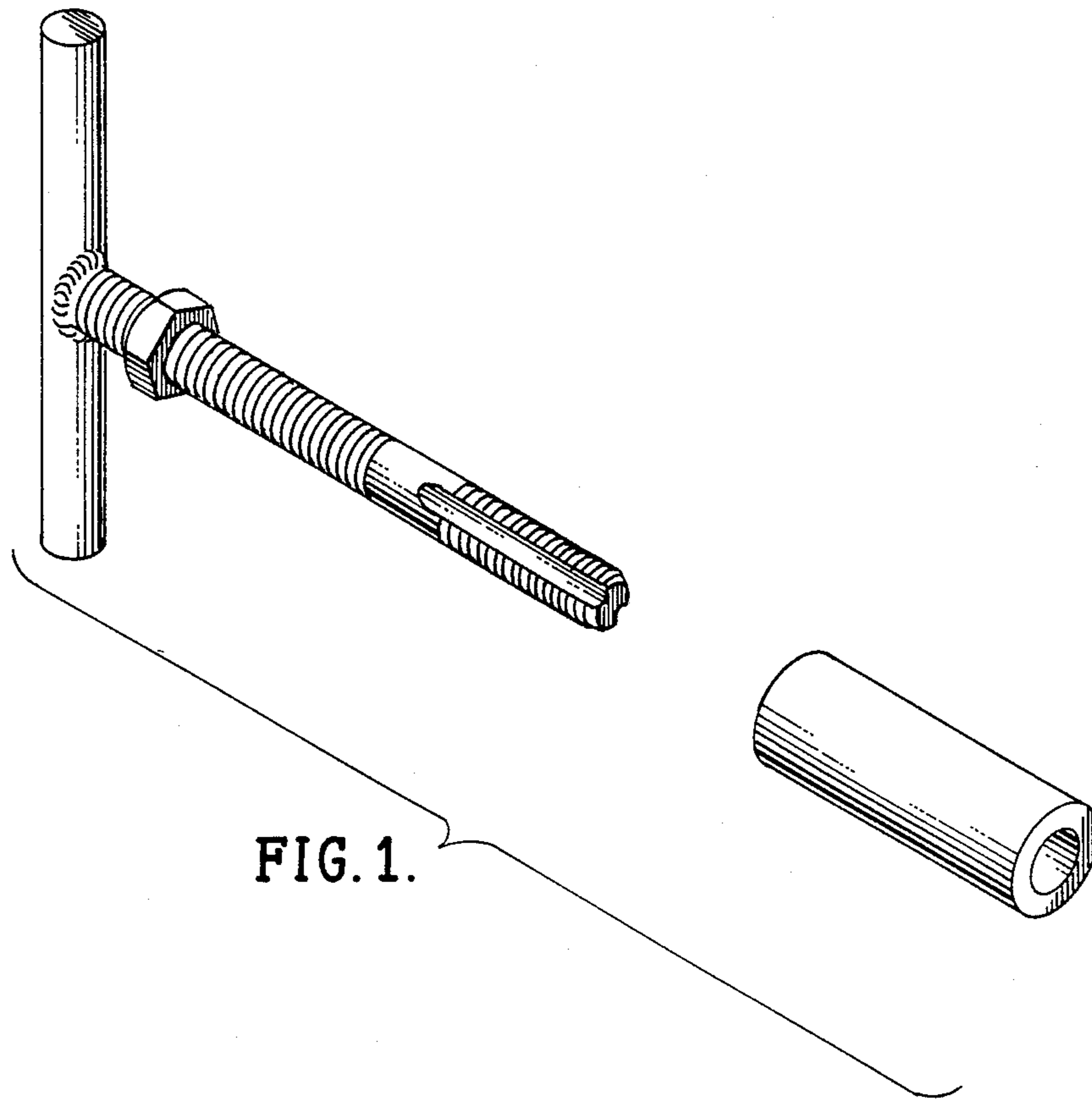


FIG. 3.

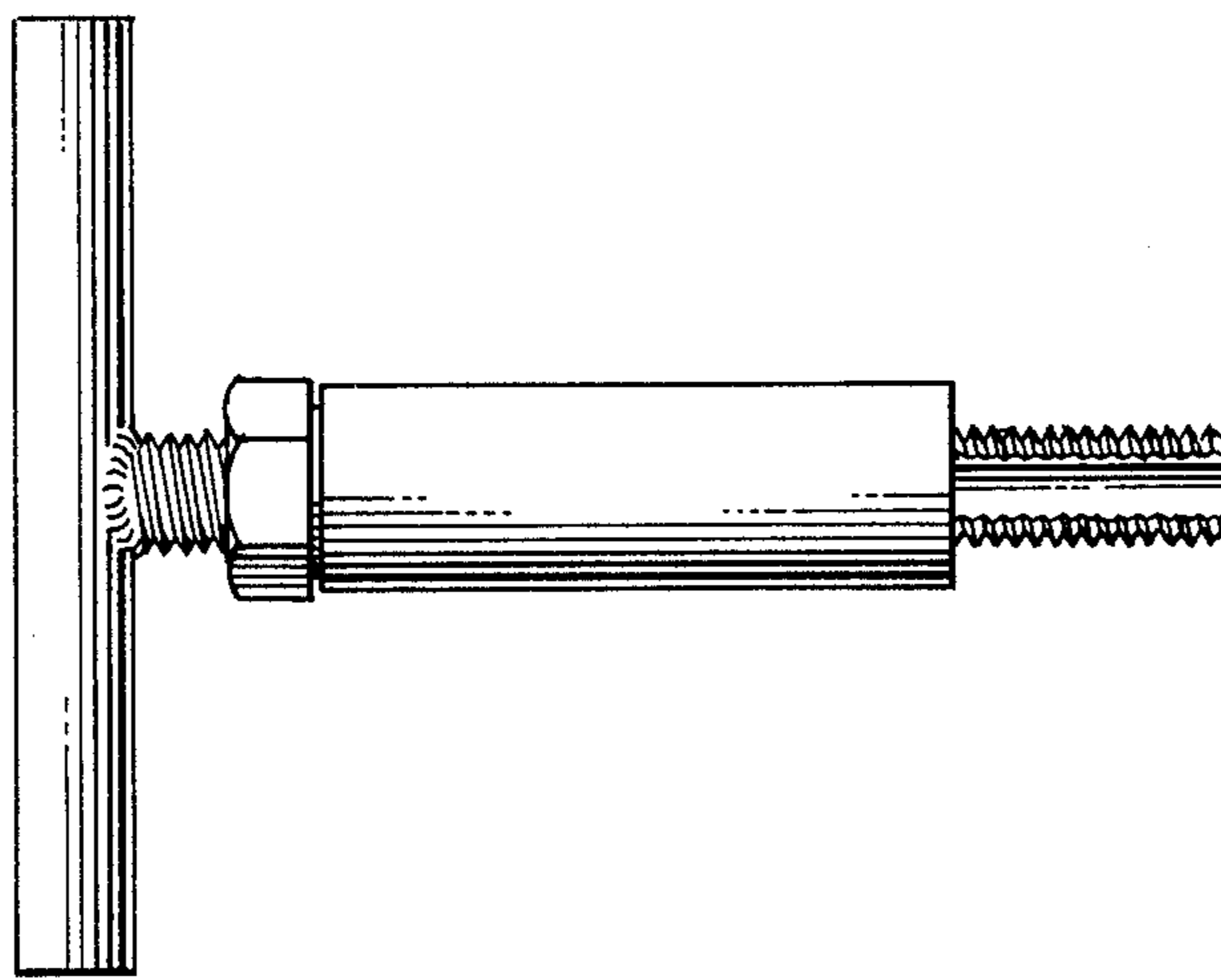


FIG. 2.

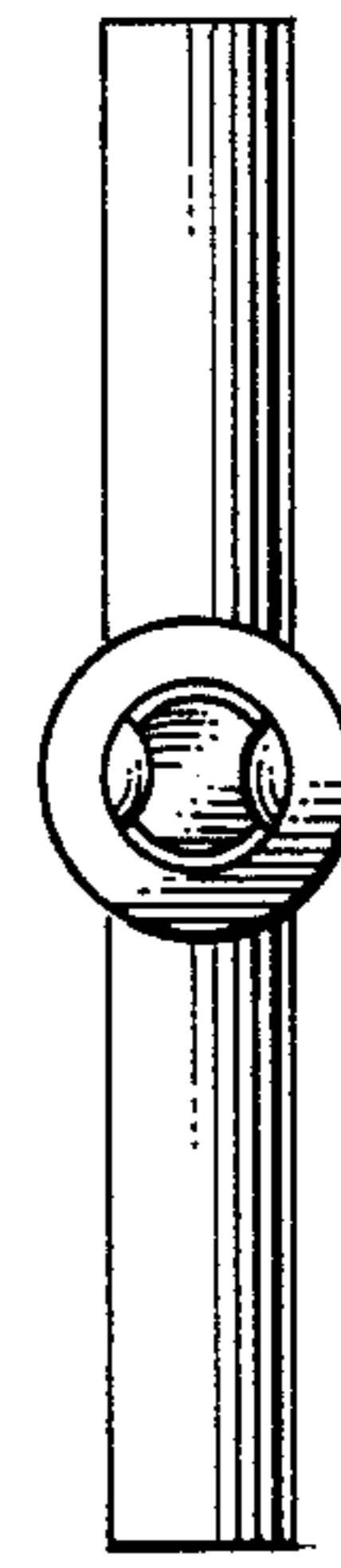


FIG. 4.