

[54] **COVERED DISH OR THE LIKE**

[75] **Inventor: Douglas M. Laib, Blackstone, Mass.**

[73] **Assignee: Dart Industries Inc., Deerfield, Ill.**

[**] **Term: 14 Years**

[21] **Appl. No.: 275,143**

[22] **Filed: Nov. 22, 1988**

[52] **U.S. Cl. D7/615; D7/542**

[58] **Field of Search D7/79, 16, 17, 23;
D9/352; D34/40; 220/4 D; 206/505, 508, 509,
520, 519, 515**

[56] **References Cited**

U.S. PATENT DOCUMENTS

D. 197,572 2/1964 Ziskin D7/79

Primary Examiner—Bernard Ansher

Assistant Examiner—Terry A. Pfeffer

Attorney, Agent, or Firm—John A. Doninger

[57] **CLAIM**

The ornamental design for a covered dish or the like, as shown.

DESCRIPTION

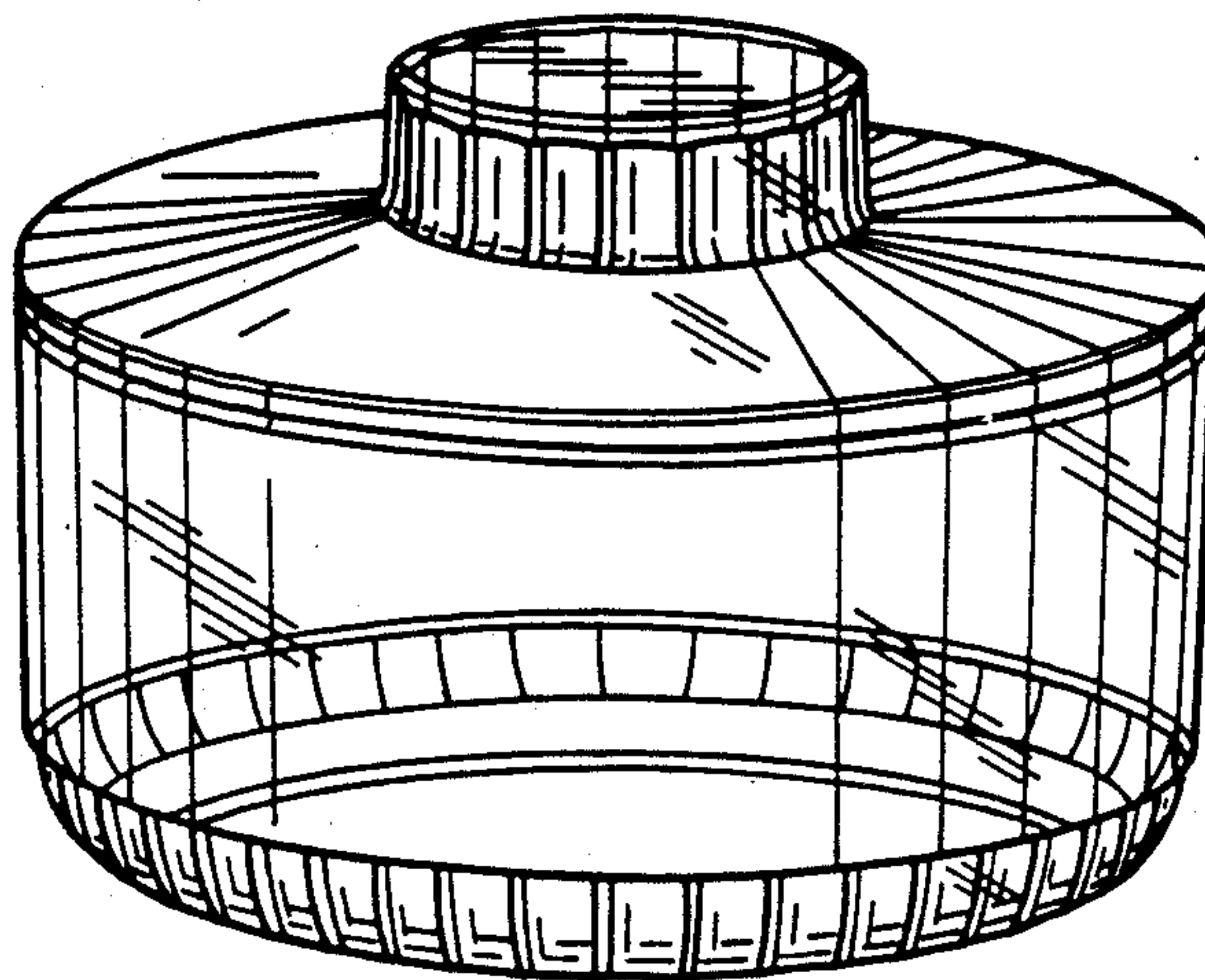
FIG. 1 is a top perspective view of the covered dish or the like showing my new design;

FIG. 2 is a side elevational view thereof;

FIG. 3 is a top plan view thereof;

FIG. 4 is a bottom plan view thereof; and

FIG. 5 is a cross-sectional view taken along line 5—5 of FIG. 3.



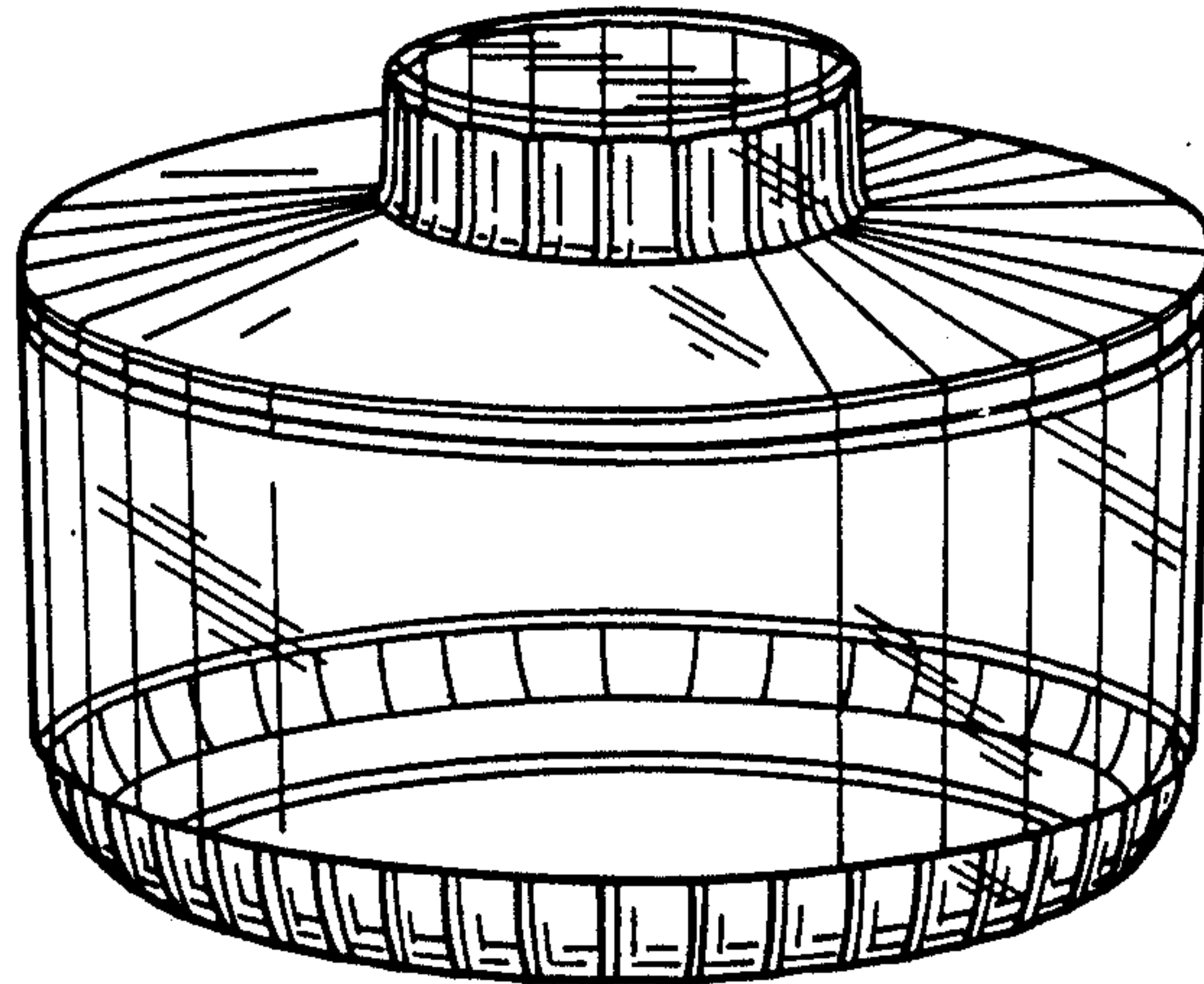


FIG. 1

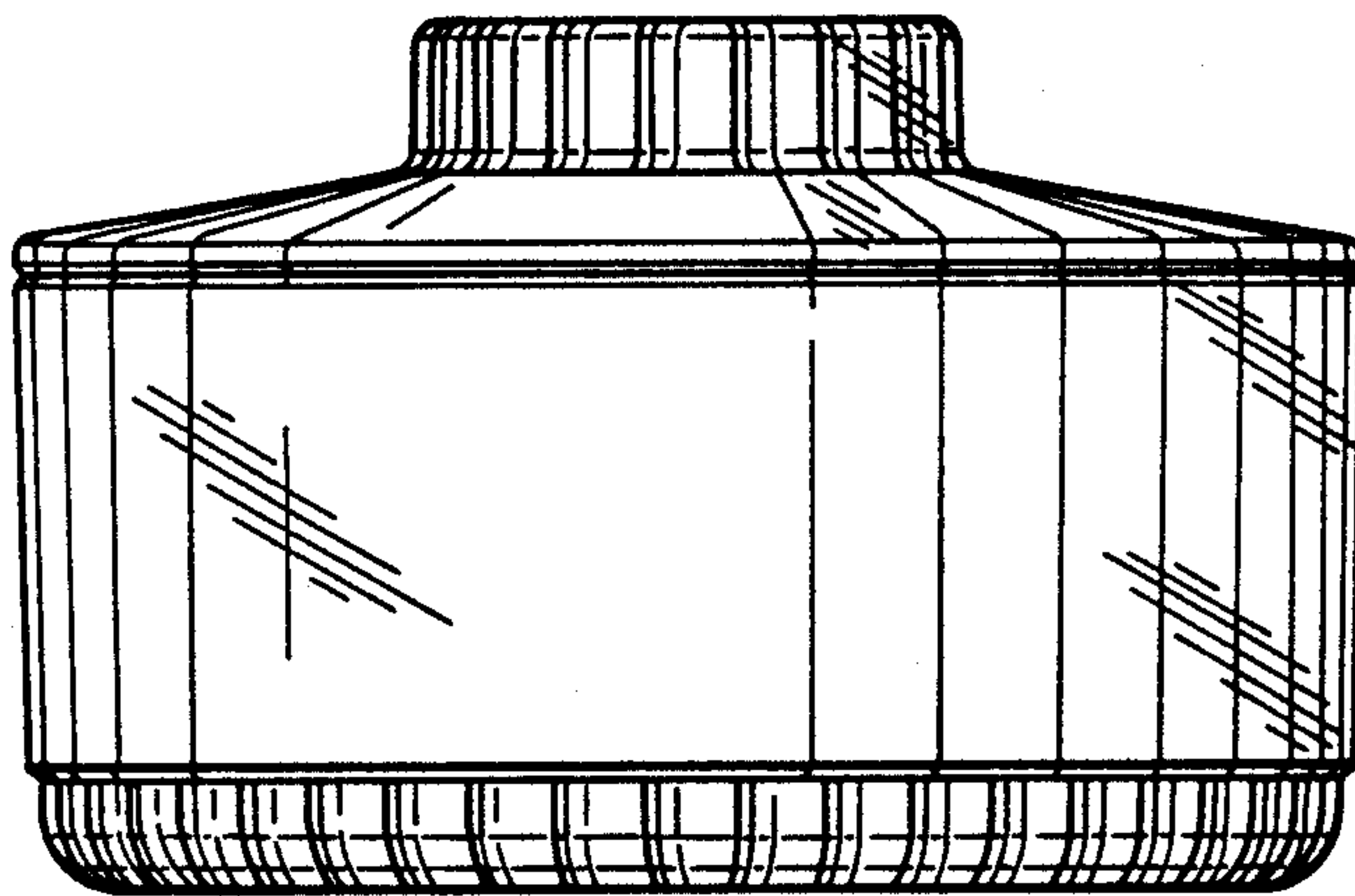


FIG. 2

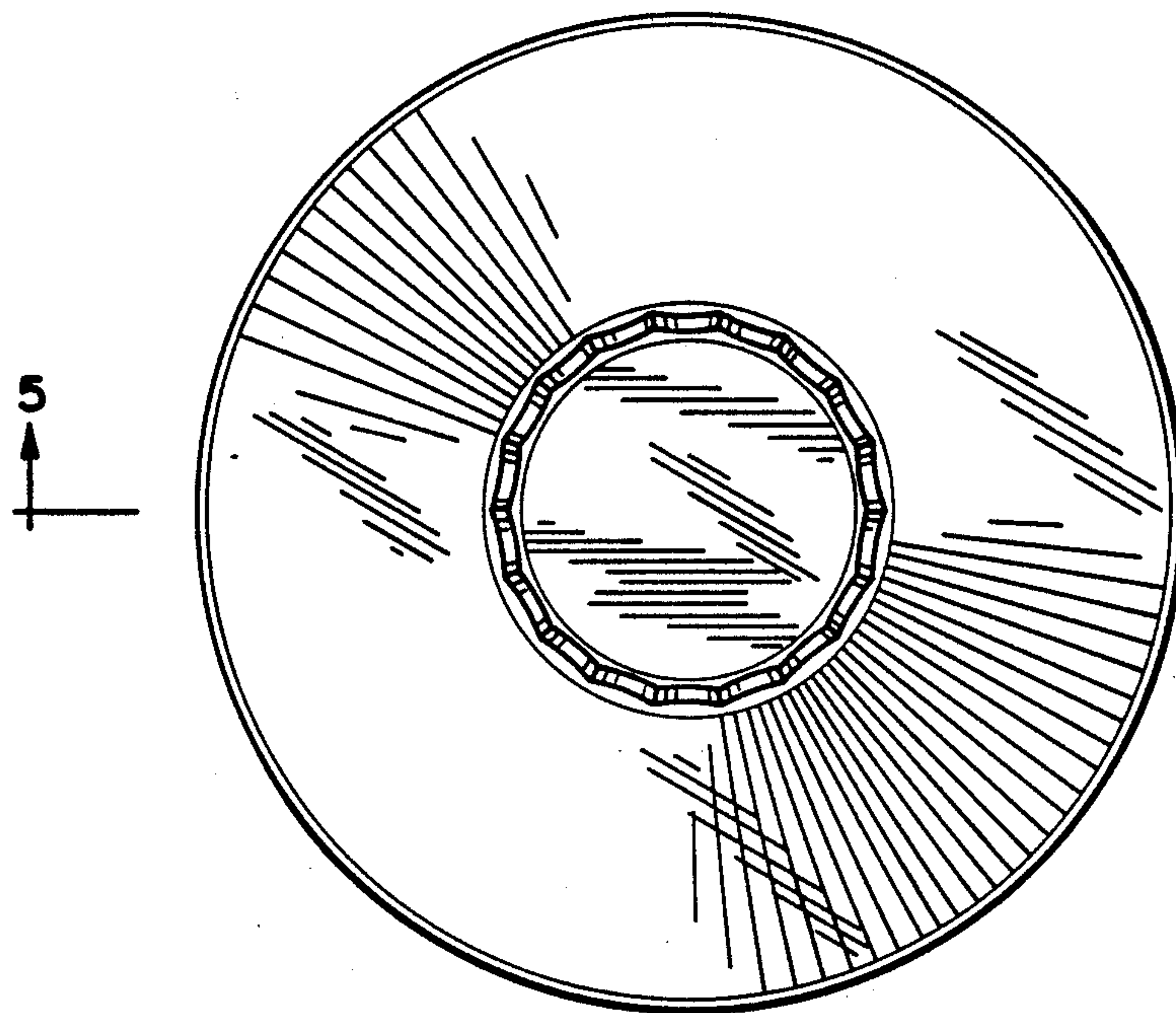


FIG. 3

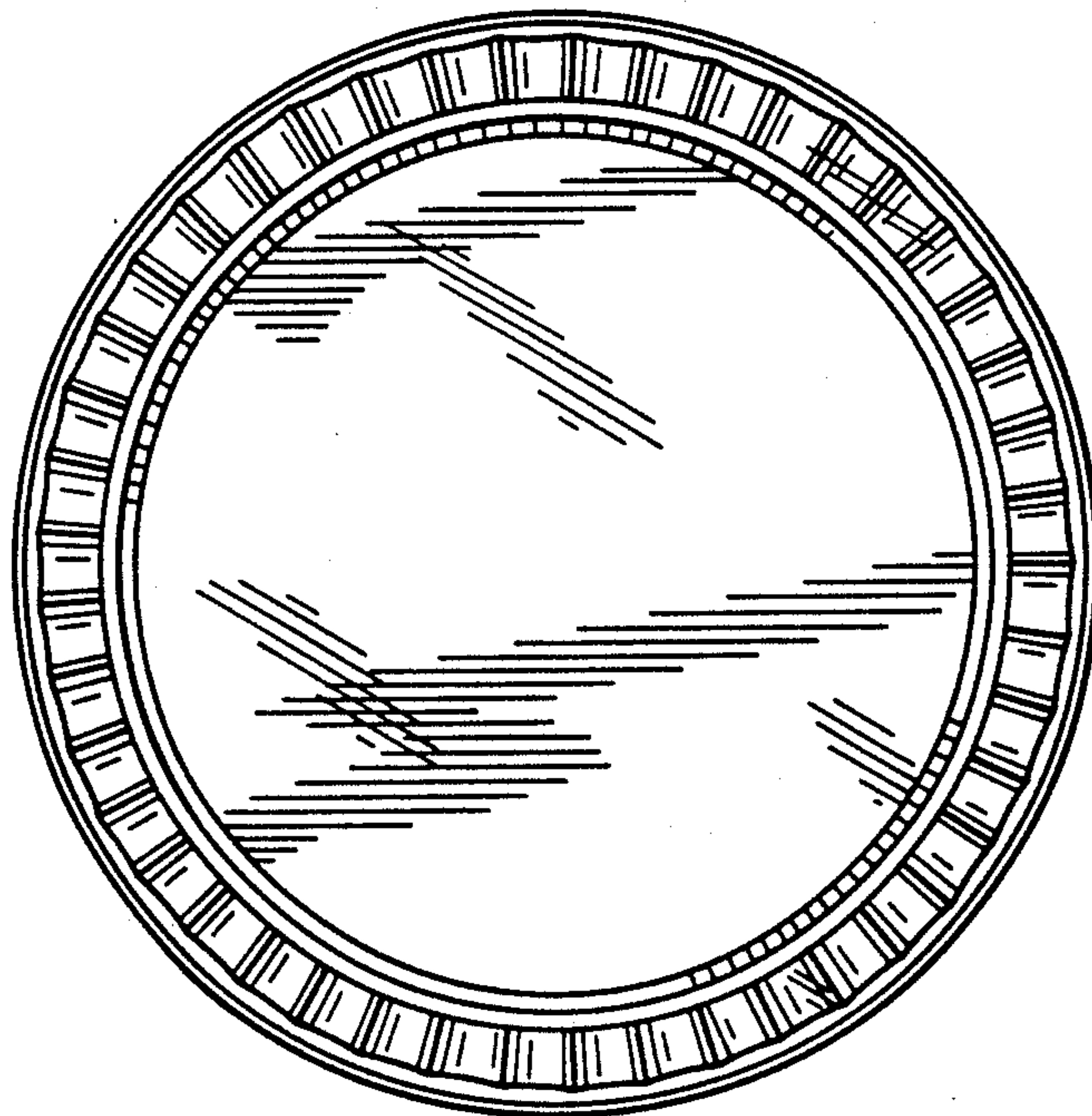


FIG. 4

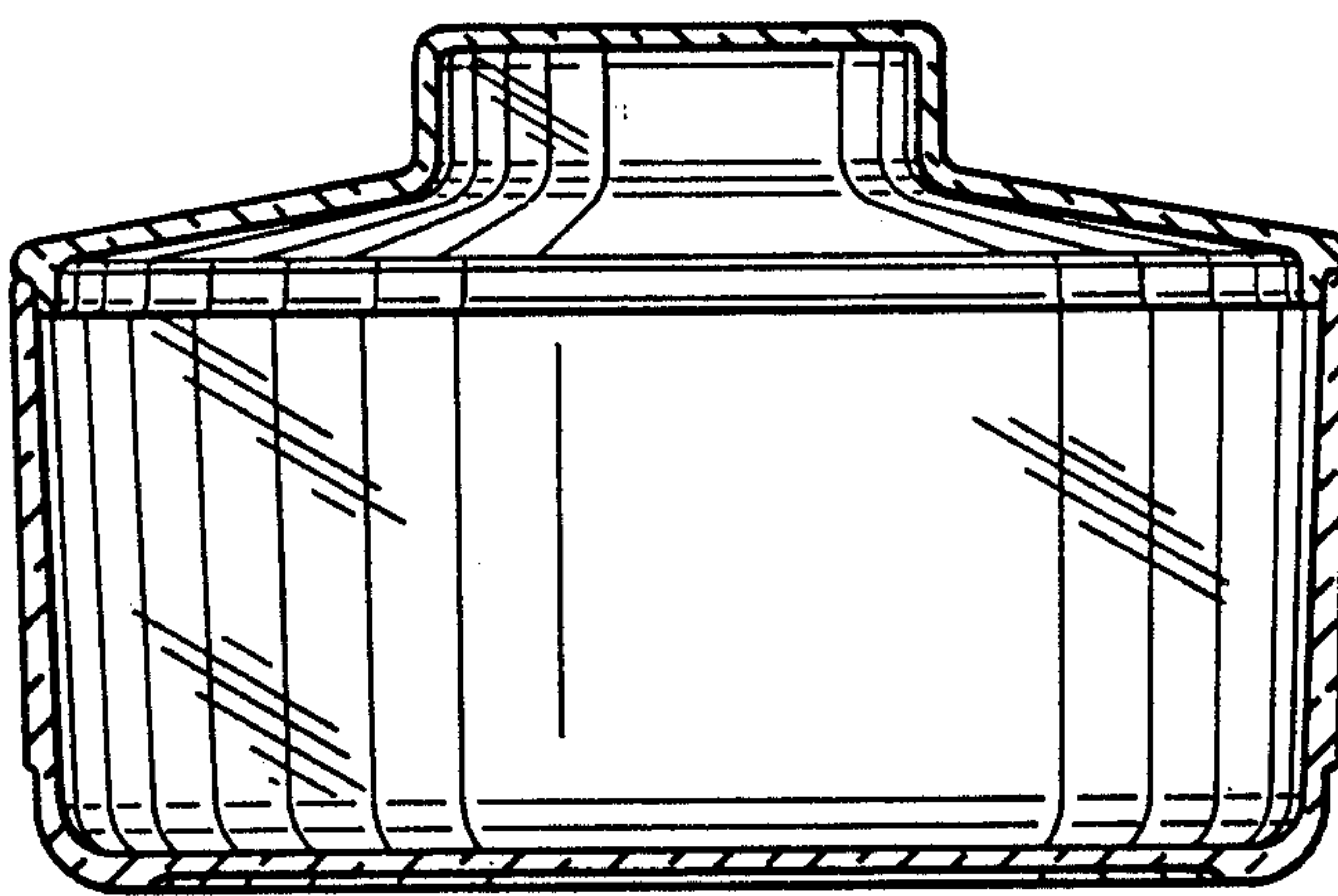


FIG. 5