

[54] FLOWER BOX SUPPORT

[76] Inventor: Thomas A. Gipe, 3710 Evans Trail Way, Beltsville, Md. 20705

[**] Term: 14 Years

[21] Appl. No.: 161,887

[22] Filed: Feb. 29, 1988

[52] U.S. Cl. D6/556; D6/574

[58] Field of Search D6/512, 553, 567, 572, D6/574; D8/354, 363, 373, 376, 380-381; 211/13, 86-88, 90, 126, 134

[56] References Cited

U.S. PATENT DOCUMENTS

D. 260,832	9/1981	Verdesca et al.	D6/574 X
1,243,059	10/1917	Friesleben	D6/574 X
4,052,816	10/1977	Perez	211/88 X
4,188,891	2/1980	Boyajian	211/88 X
4,316,296	2/1982	Lubin	211/88 X
4,357,881	11/1982	DeLong	211/88 X

OTHER PUBLICATIONS

Architectural Graphic Standards, (1981), p. 516—Garden Tool Bracket—lower right corner of page.

Primary Examiner—Wallace R. Burke
Assistant Examiner—Brian N. Vinson
Attorney, Agent, or Firm—Sughrue, Mion, Zinn, Macpeak & Seas

[57] CLAIM

The ornamental design for a flower box support, as shown and described.

DESCRIPTION

FIG. 1 is a perspective view of a flower box support showing my new design, the broken-line depiction of a flower box being for illustrative purposes only and forming no part of the claimed design; FIG. 2 is a right side elevational view thereof, the left side being a mirror image of that shown; FIG. 3 is a rear elevational view thereof; FIG. 4 is a top plan view thereof; and FIG. 5 is a bottom plan view thereof.

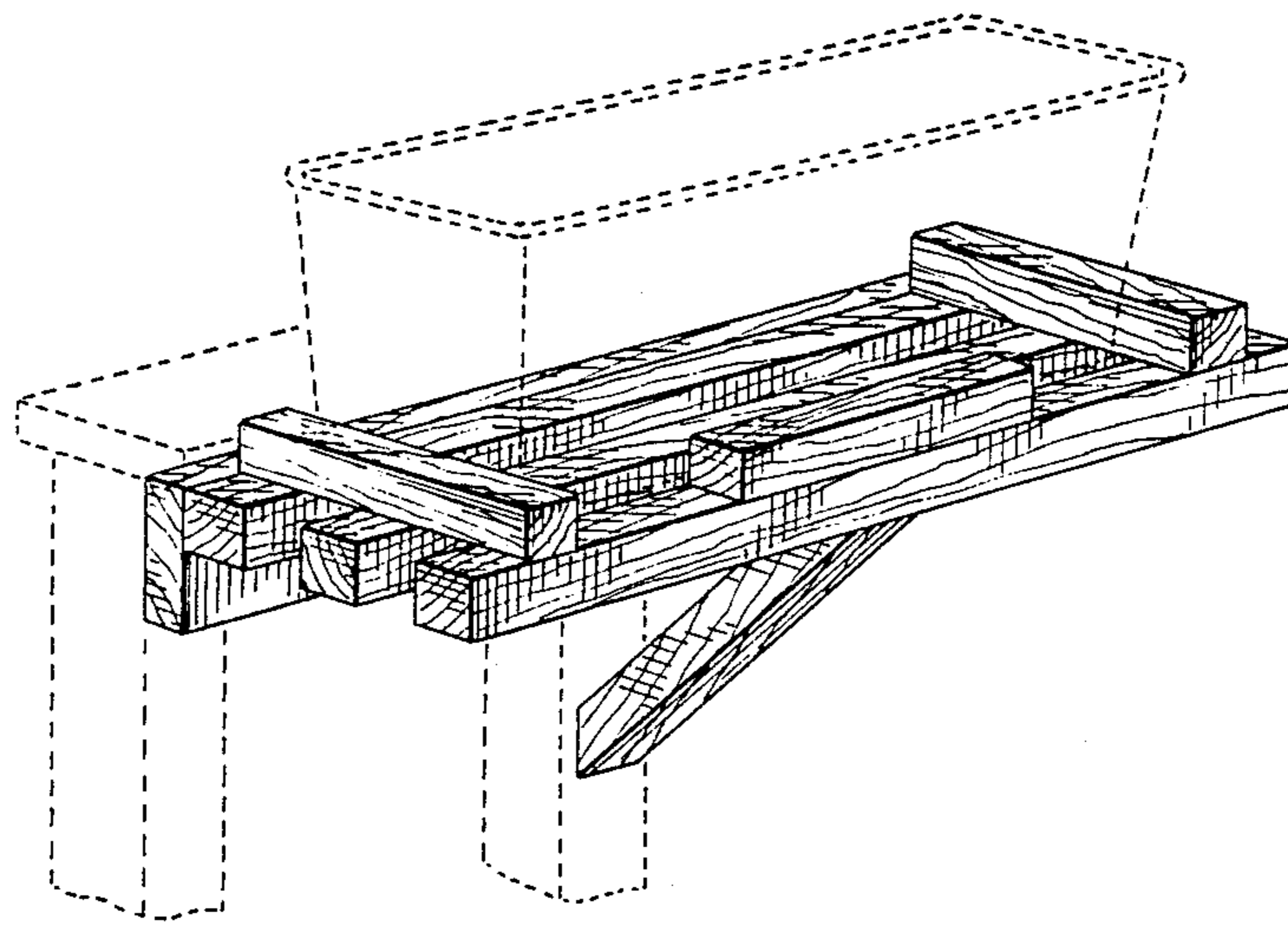


FIG. 1

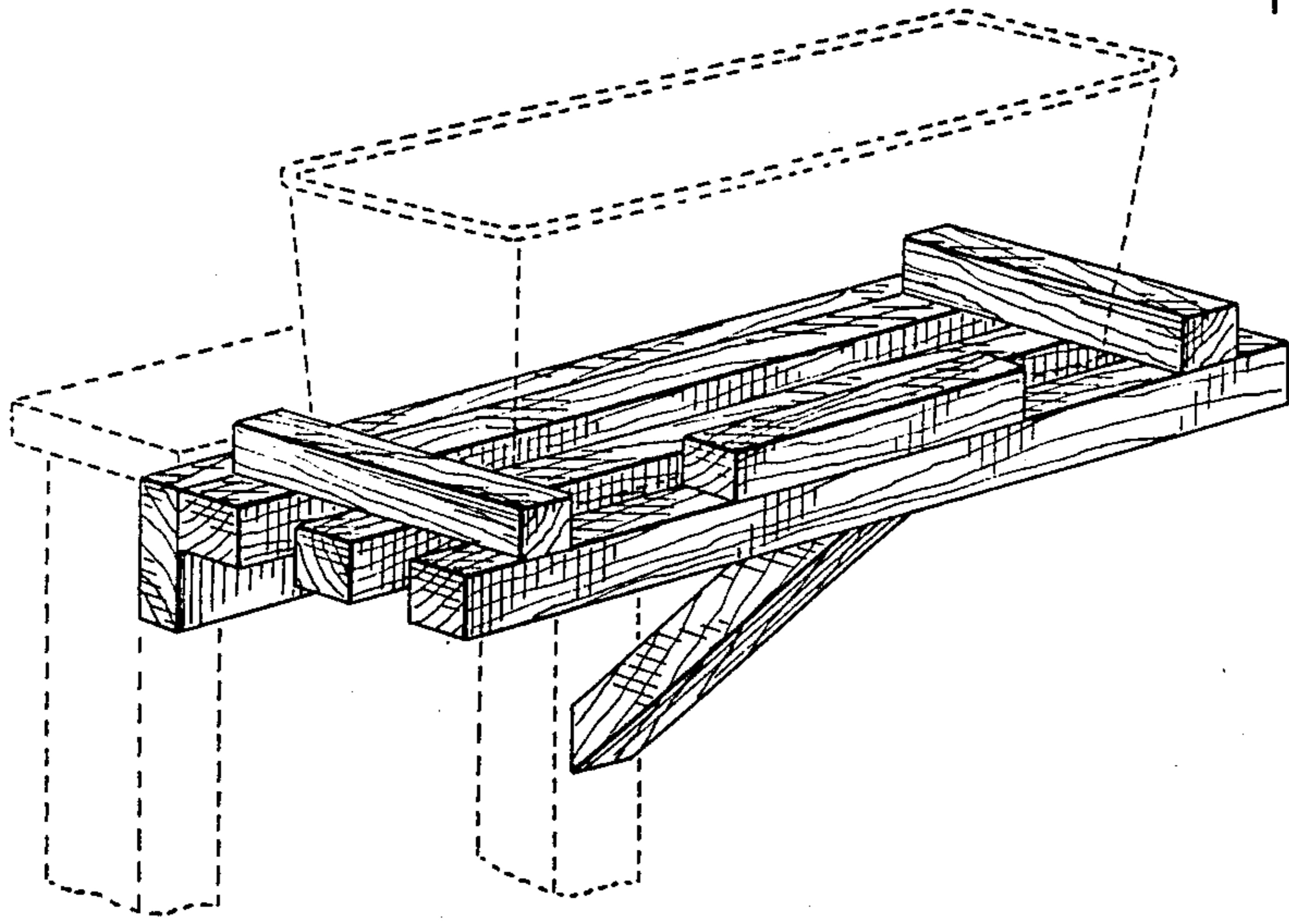


FIG. 2

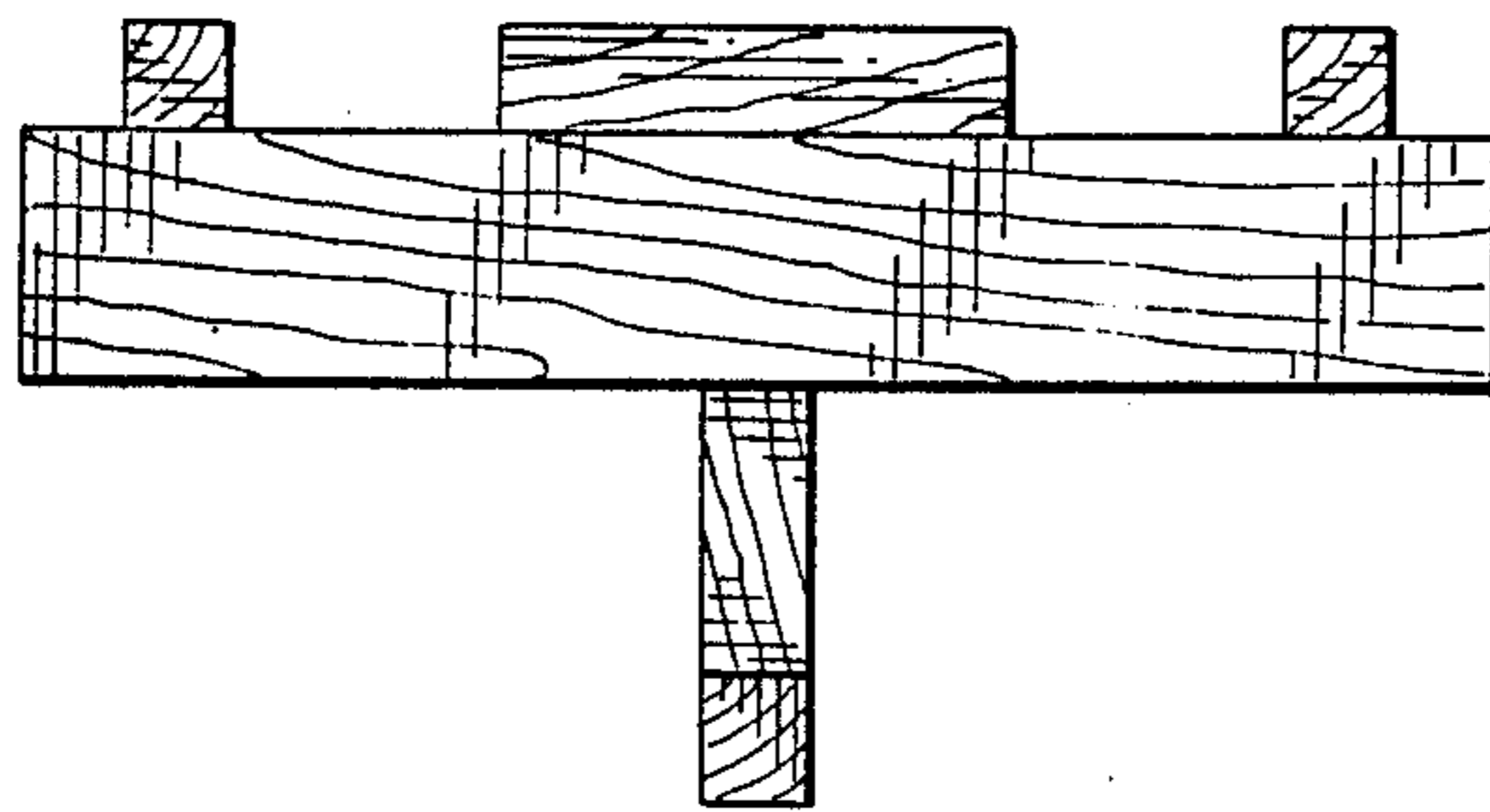
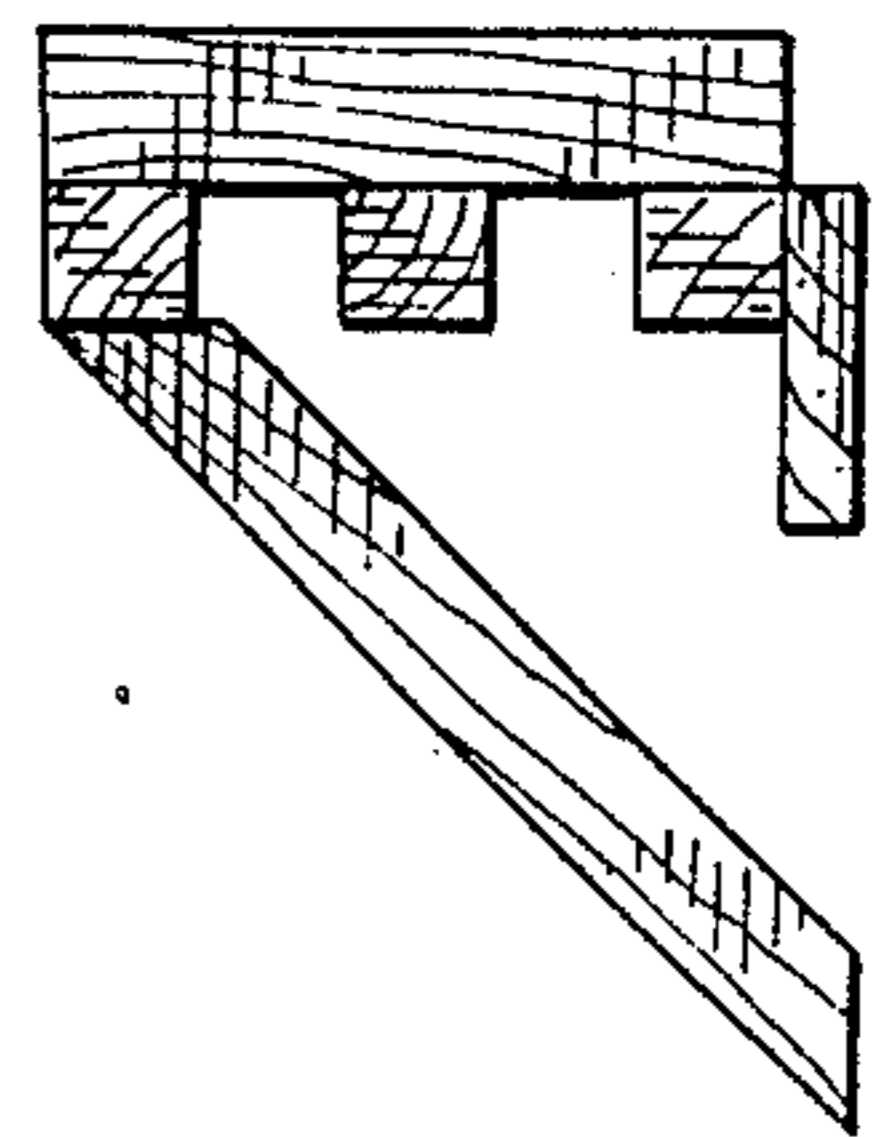


FIG. 3

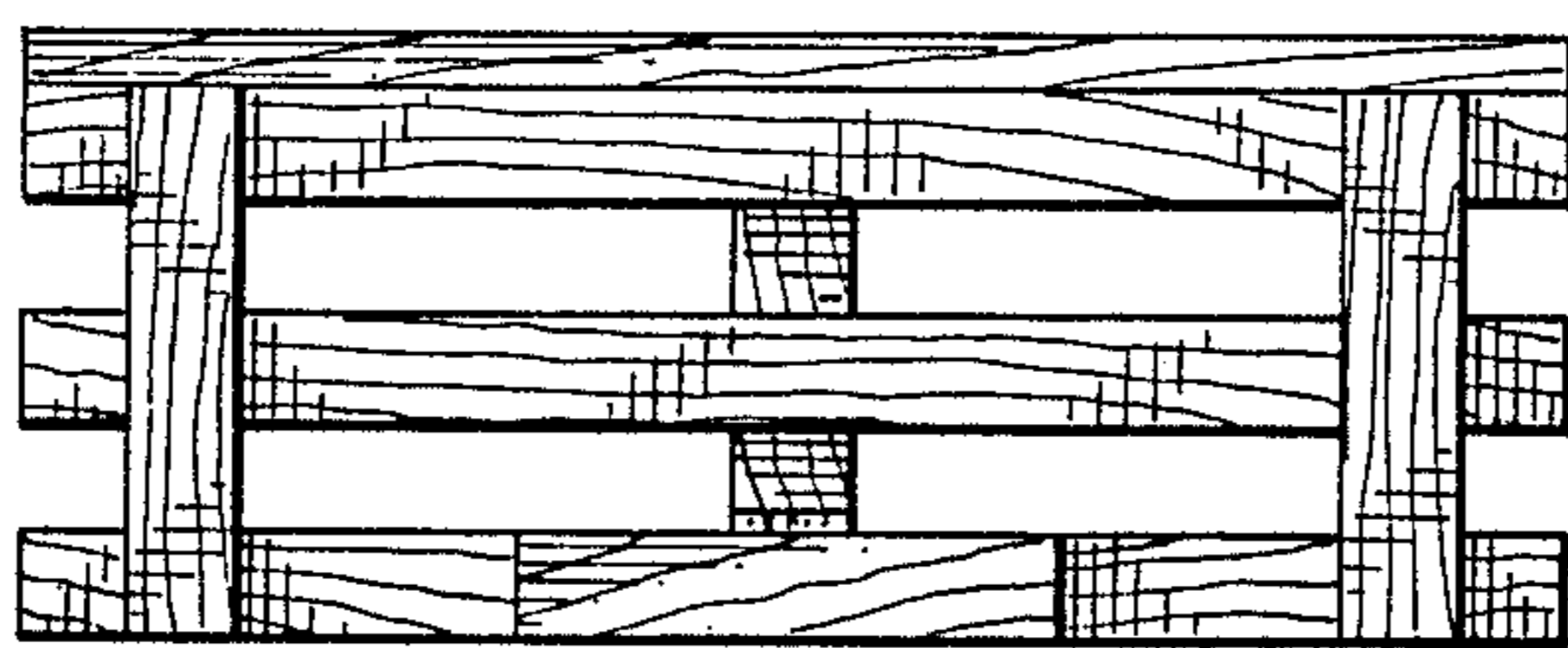


FIG. 4

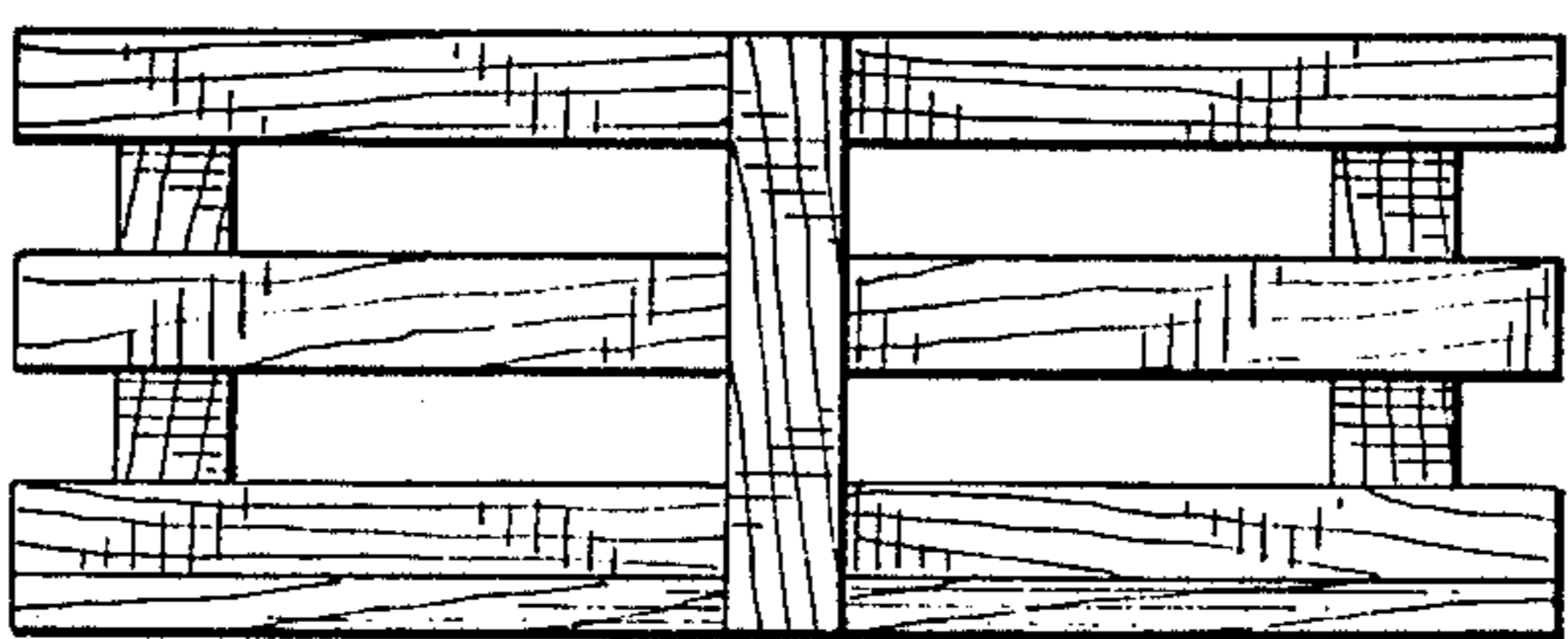


FIG. 5