

- [54] **COMBINED TOOTHBRUSH AND TUMBLER HOLDER HOLDER**
- [75] **Inventor: E. Pekka Korpijaakko, Rocky Hill, N.J.**
- [73] **Assignee: The Willette Corporation, New Brunswick, N.J.**
- [**] **Term: 14 Years**
- [21] **Appl. No.: 140,833**
- [22] **Filed: Jan. 4, 1988**
- [52] **U.S. Cl. D6/531**
- [58] **Field of Search D6/512, 524, 527-529, D6/531-532, 534-535, 536, 540, 567, 574, 553; 211/13, 60.1, 70.6, 70.7, 86-88, 90**

- D. 215,100 9/1969 Seller D6/528
- D. 291,519 8/1987 Chap D6/531

OTHER PUBLICATIONS

Selfix brochure DDA-699, (1986), Shelf 2577.
Domus, (Feb. 1977), p. 14, Shelf.
Primary Examiner—Wallace R. Burke
Assistant Examiner—Brian N. Vinson
Attorney, Agent, or Firm—Sperry, Zoda & Kane

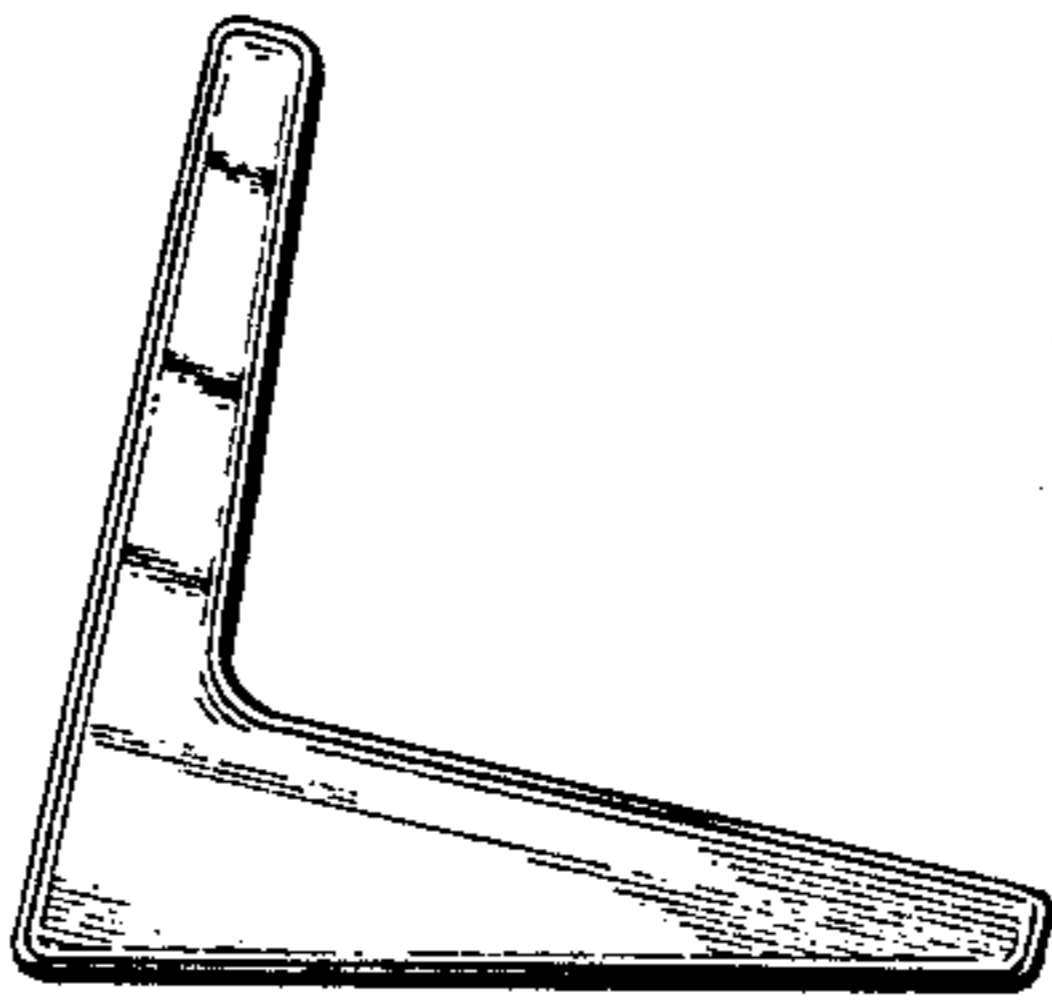
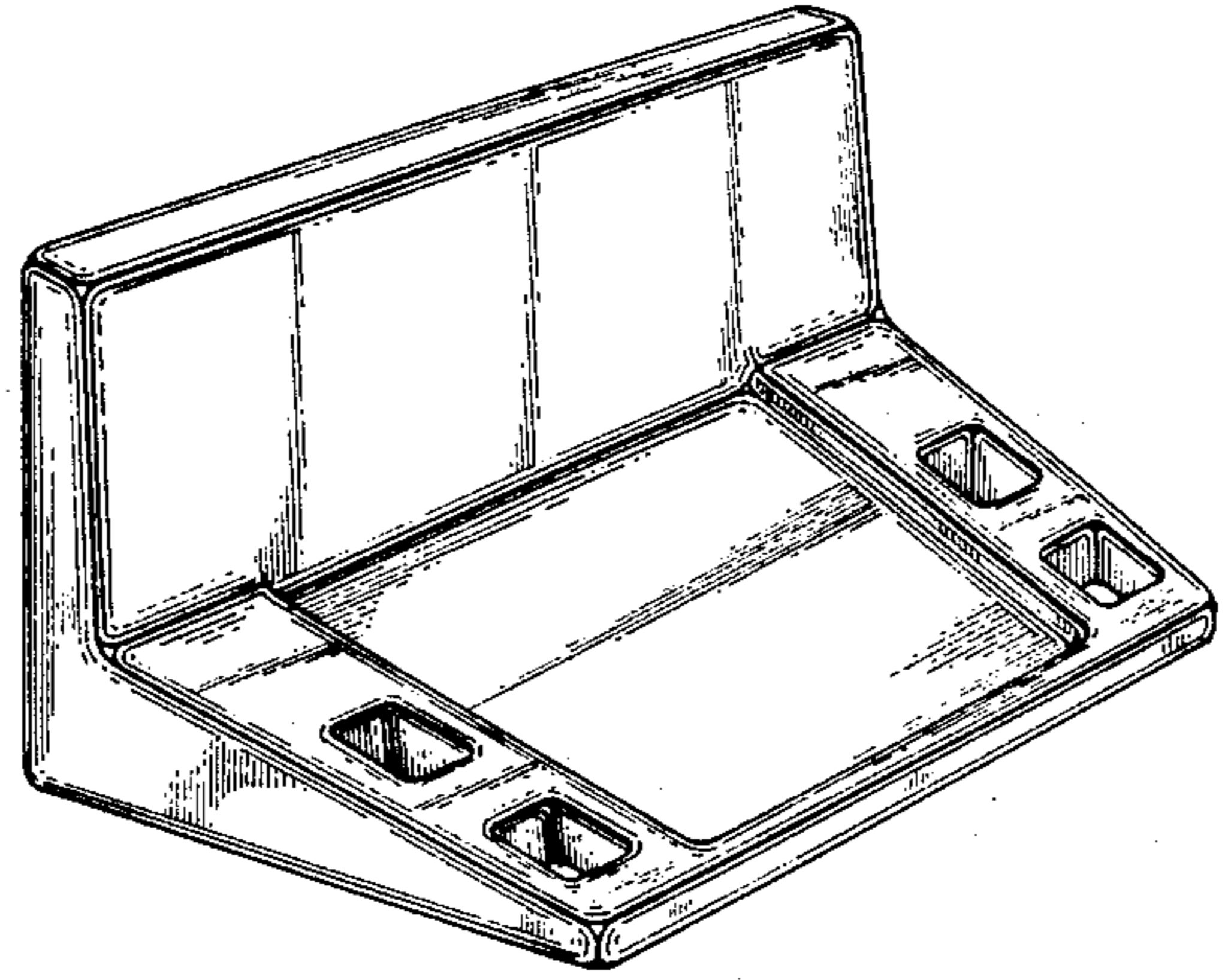
CLAIM

The ornamental design for a combined toothbrush and tumbler holder, as shown and described.

DESCRIPTION

FIG. 1 is a top, front, and left side perspective view of a combined toothbrush and tumbler holder showing my new design;
FIG. 2 is a left side elevational view thereof, the right side being a mirror image of that shown;
FIG. 3 is a top plan view thereof; and
FIG. 4 is a bottom plan view thereof.

- [56] **References Cited**
U.S. PATENT DOCUMENTS
D. 63,549 12/1923 Baker D6/529
D. 134,295 11/1942 Steward D6/574
D. 139,716 12/1944 White D6/529



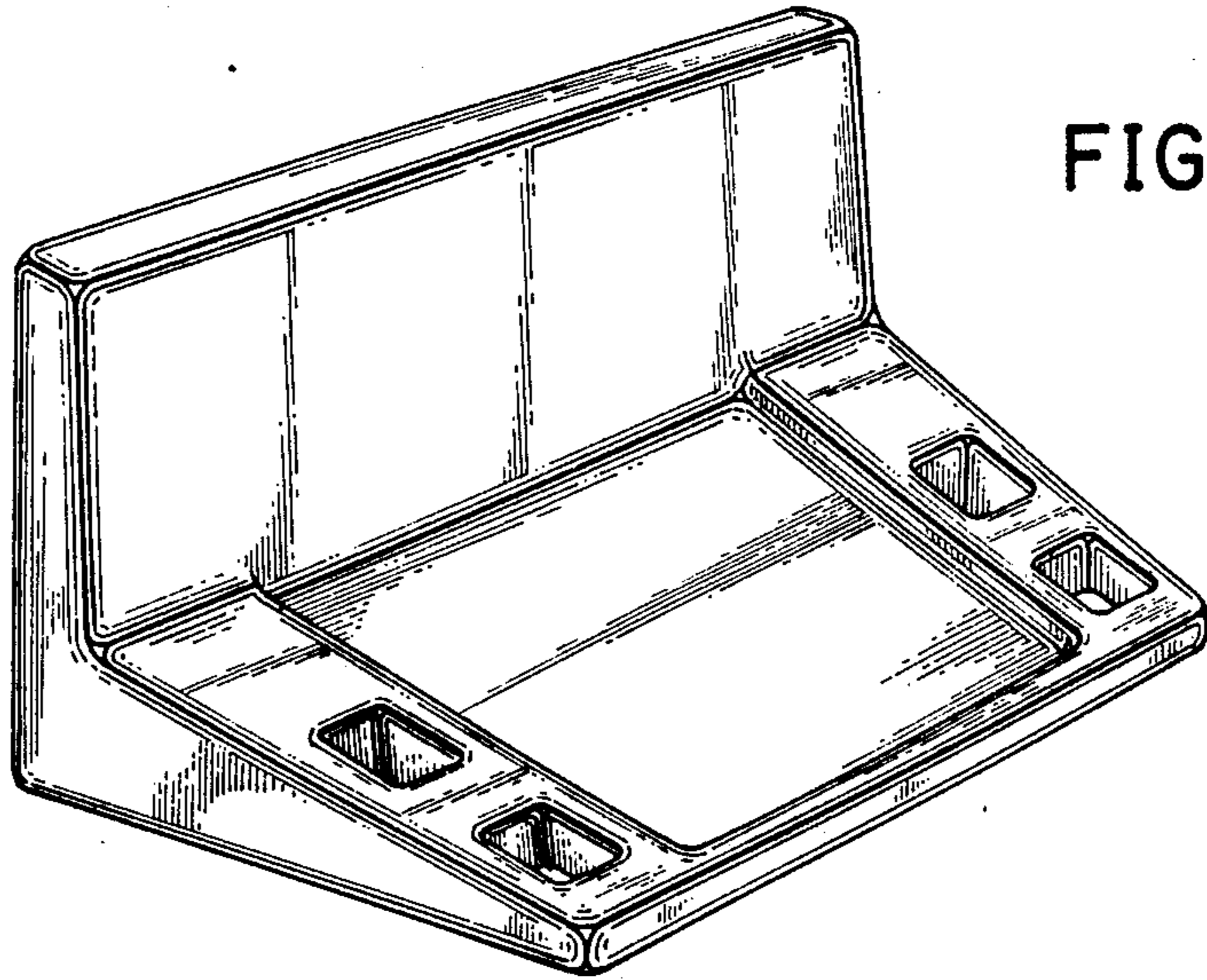


FIG. 1

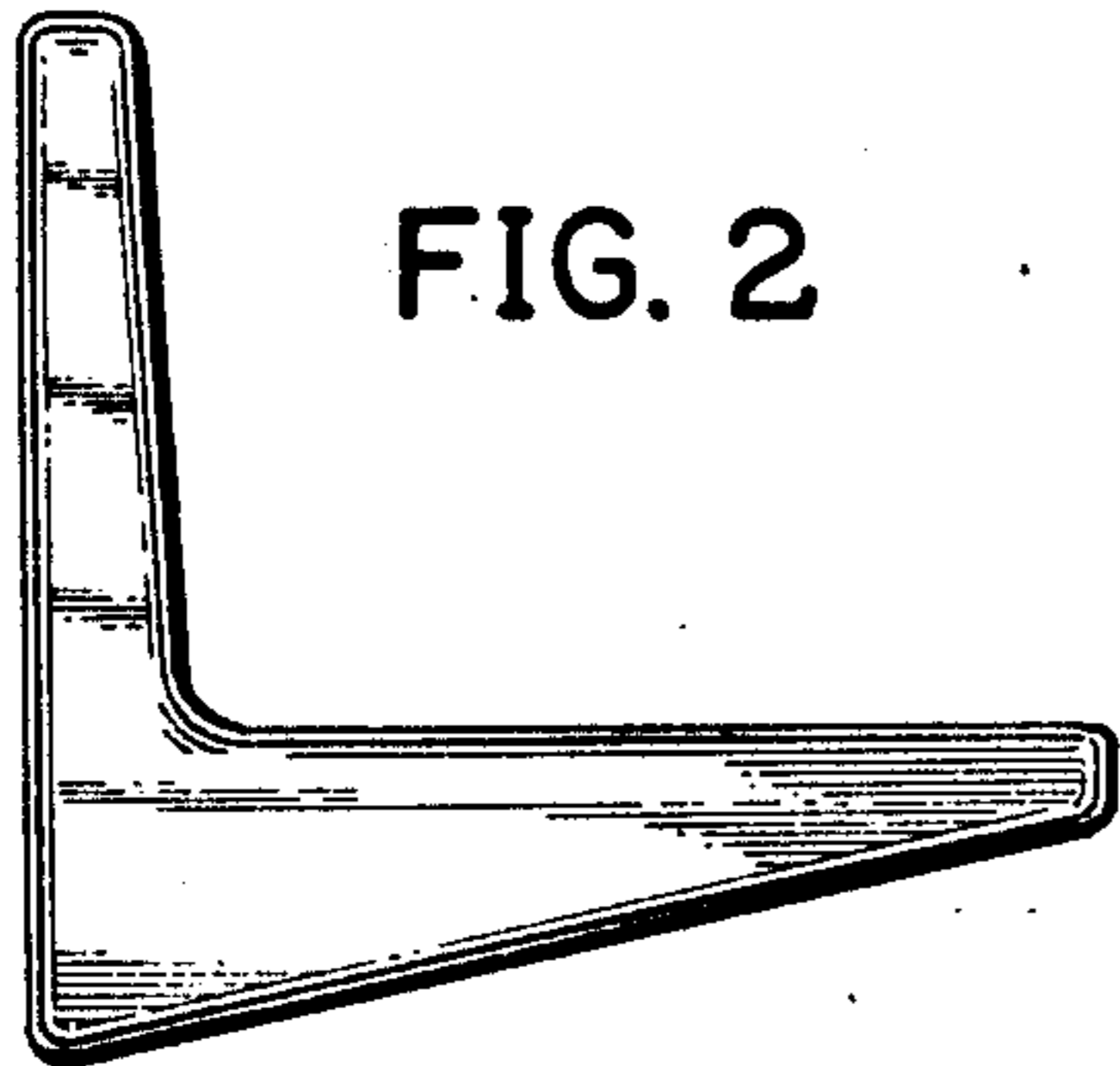


FIG. 2

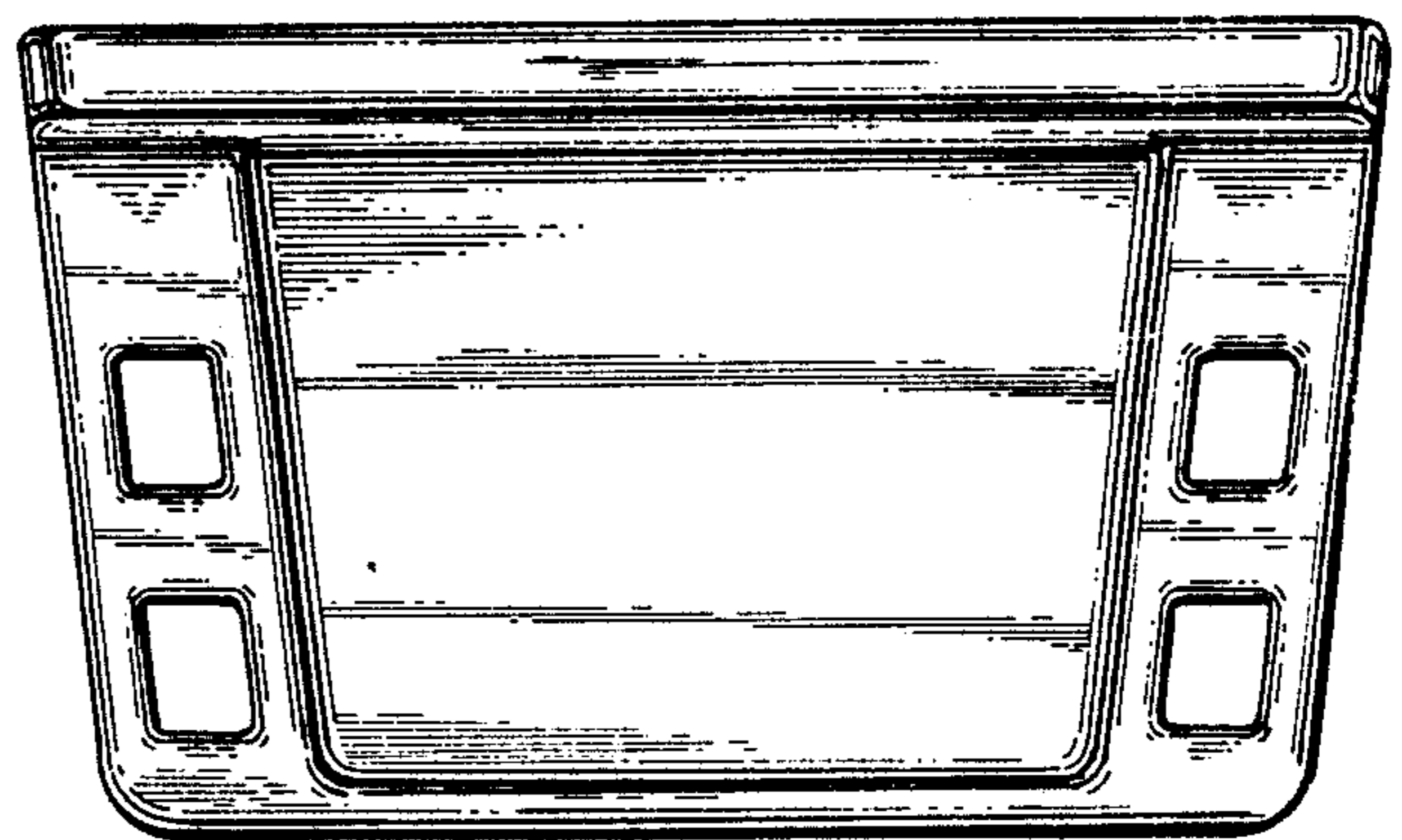


FIG. 3

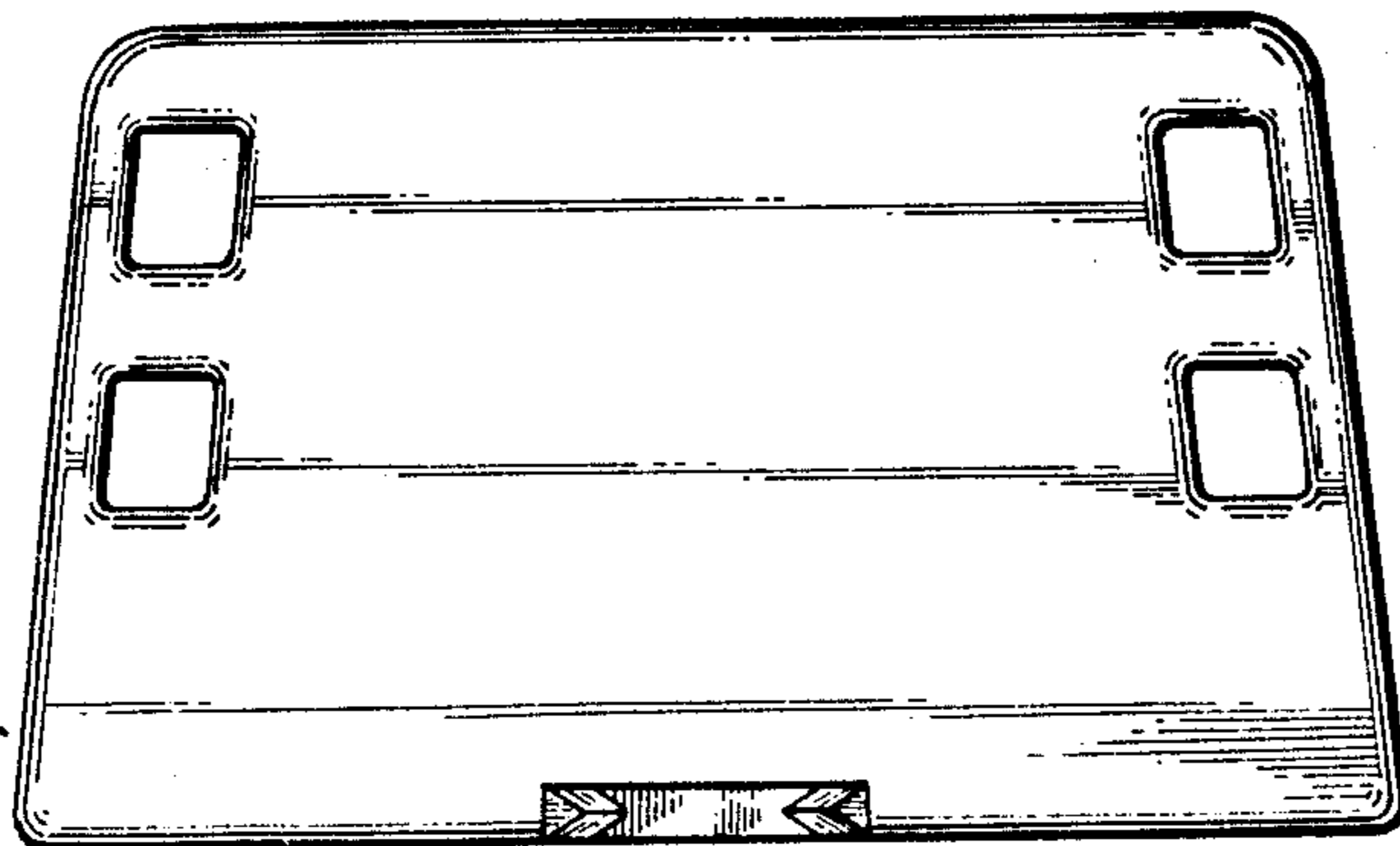


FIG. 4