

[54] MEMORIAL FLAG DISPLAY CASE

[76] Inventor: Hollis R. Beasley, Bay Dr. No 29, Niceville, Fla. 32578

[**] Term: 14 Years

[21] Appl. No.: 265,125

[22] Filed: Oct. 31, 1988

[52] U.S. Cl. D6/470

[58] Field of Search D11/131, 164, 181, 184; D6/559, 470; 116/173; 312/234, 204, 114; 206/216; 428/13

[56] References Cited

U.S. PATENT DOCUMENTS

- D. 149,251 4/1948 Civita D11/131
- D. 149,294 4/1984 Newmon D11/131
- D. 189,039 10/1960 Allen D11/131
- D. 262,080 12/1981 Dunn D11/184
- D. 290,447 6/1987 Evans D11/131

- 2,535,149 12/1950 McBride 206/216
- 2,841,272 7/1958 Dreier 428/13
- 3,760,521 9/1973 Barraya D6/470
- 4,879,145 11/1989 McLellan et al. D6/470

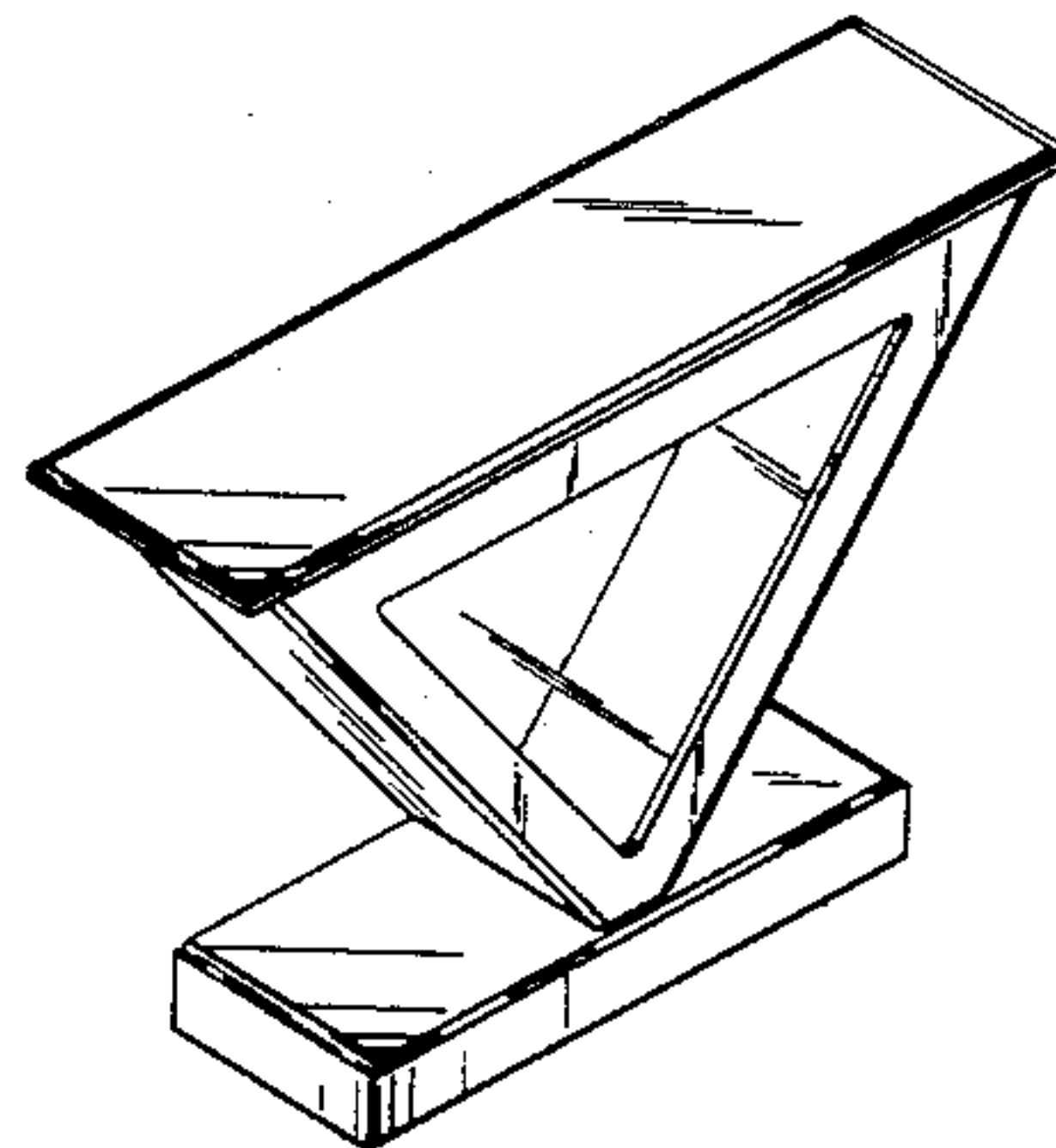
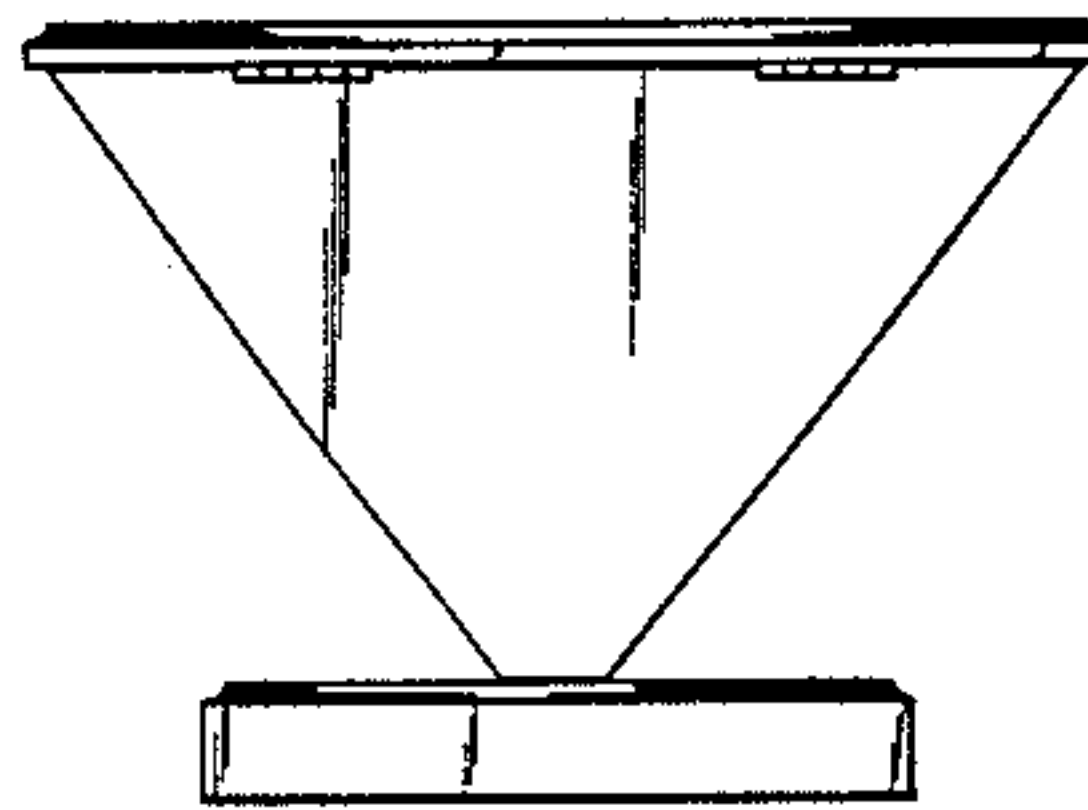
Primary Examiner—B. J. Bullock
Assistant Examiner—Dominic Simone
Attorney, Agent, or Firm—George A. Bode

[57] CLAIM

The ornamental design for a memorial flag display case, as shown and described.

DESCRIPTION

FIG. 1 is a front elevational view of a memorial flag display case showing my new design;
FIG. 2 is a top plan view thereof;
FIG. 3 is a bottom plan view thereof;
FIG. 4 is a rear elevational view thereof;
FIG. 5 is a right side elevational view thereof;
FIG. 6 is a left side elevational view thereof;
FIG. 7 is a top front perspective view thereof.



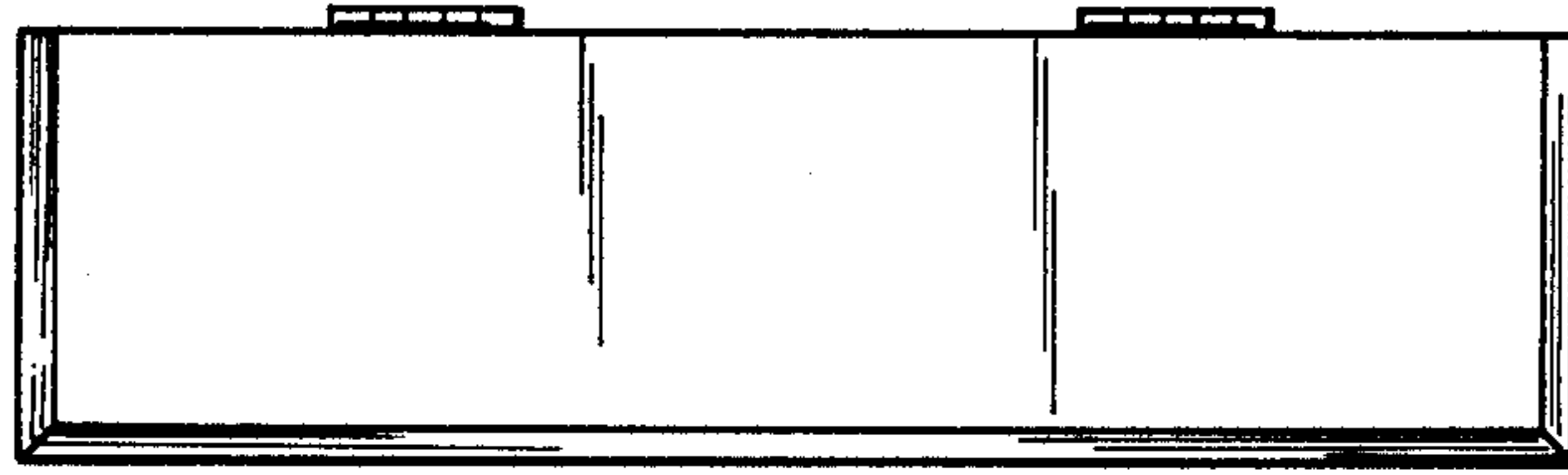


FIG. 2

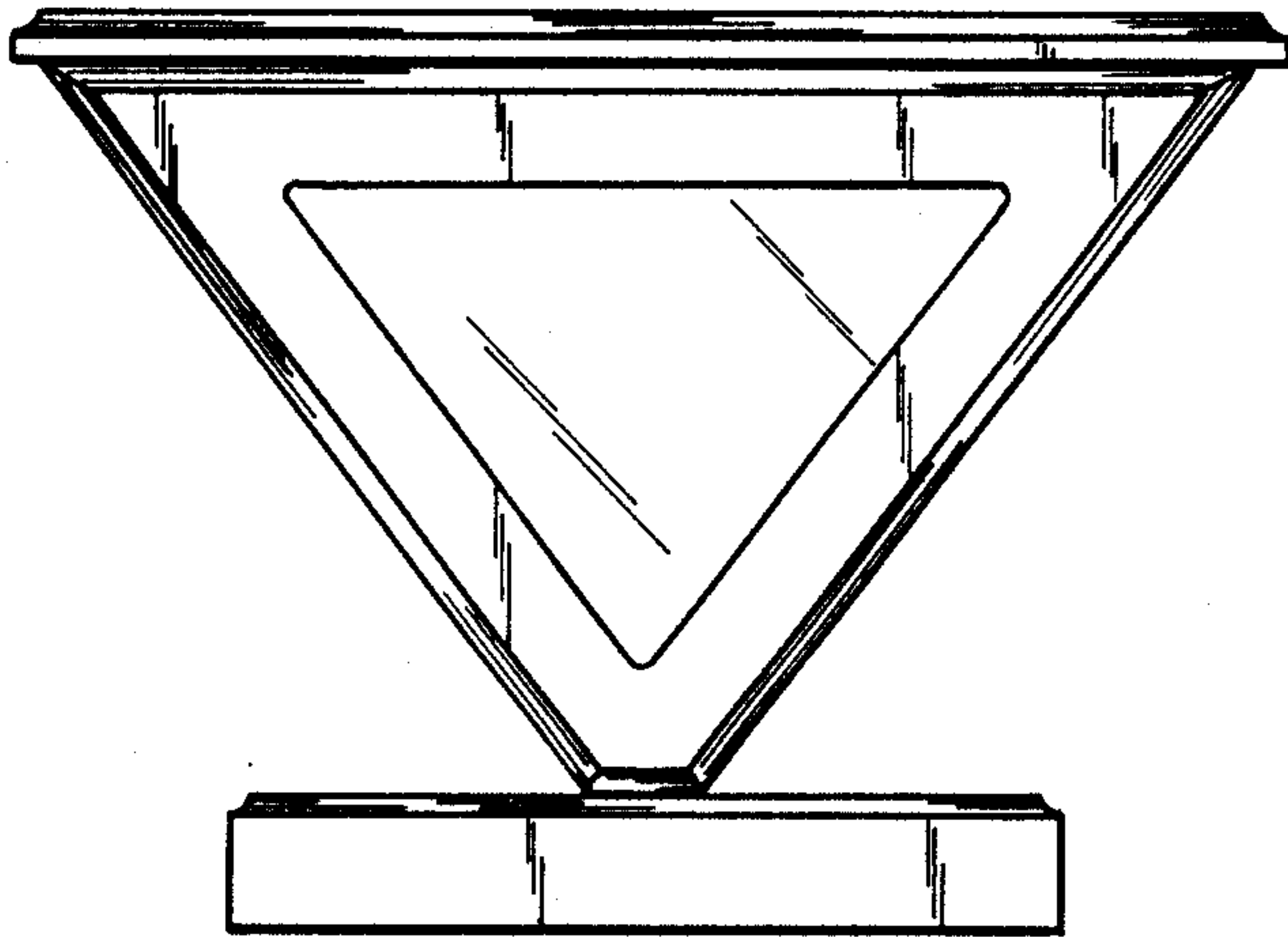


FIG. 1

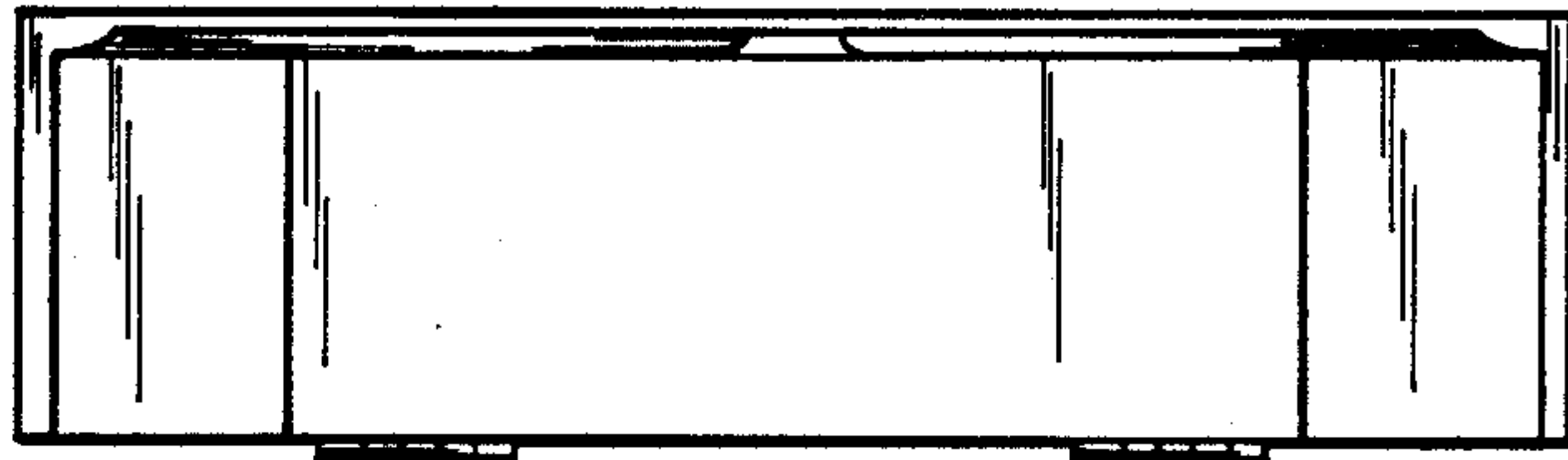


FIG. 3

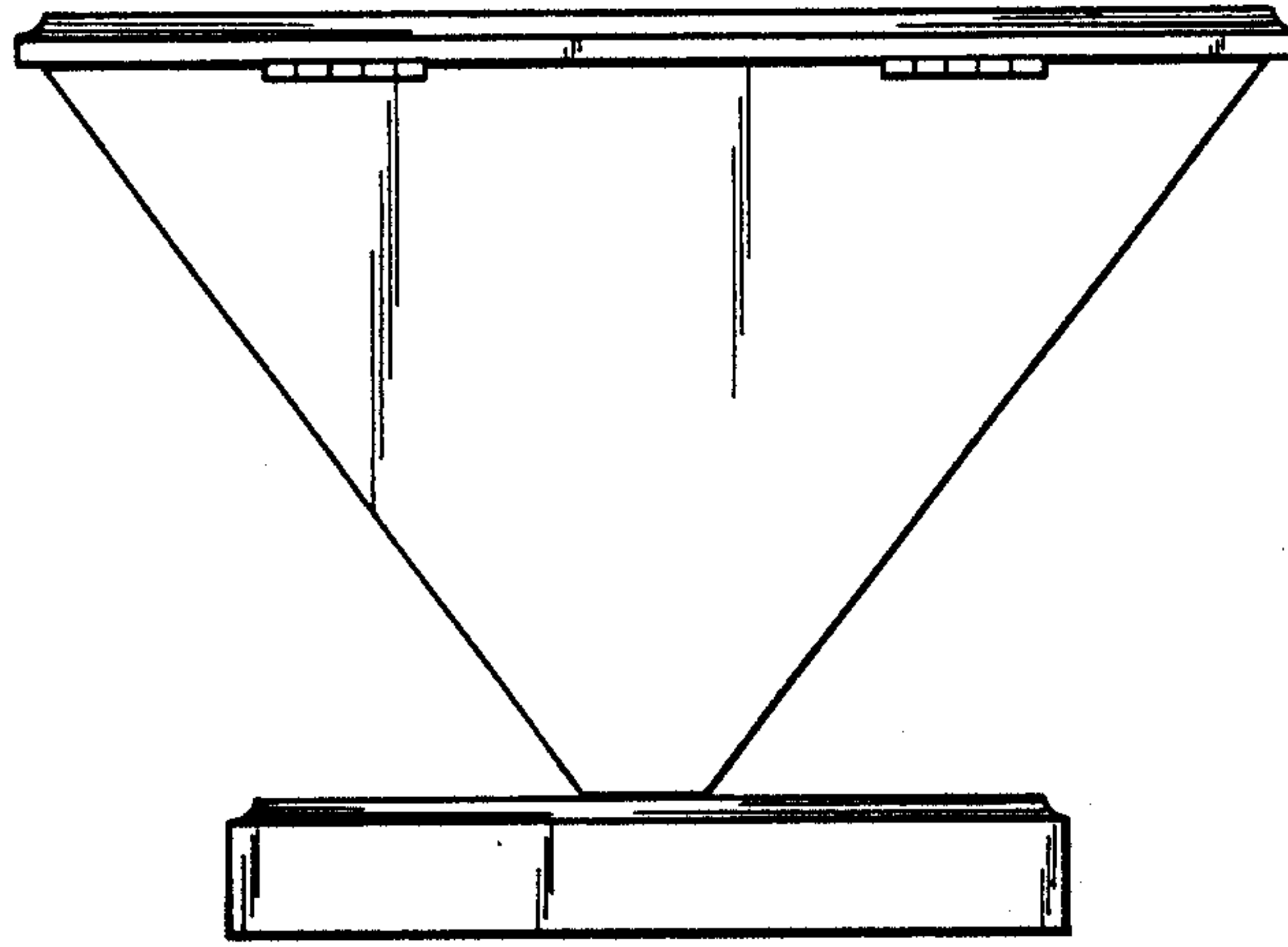


FIG. 4

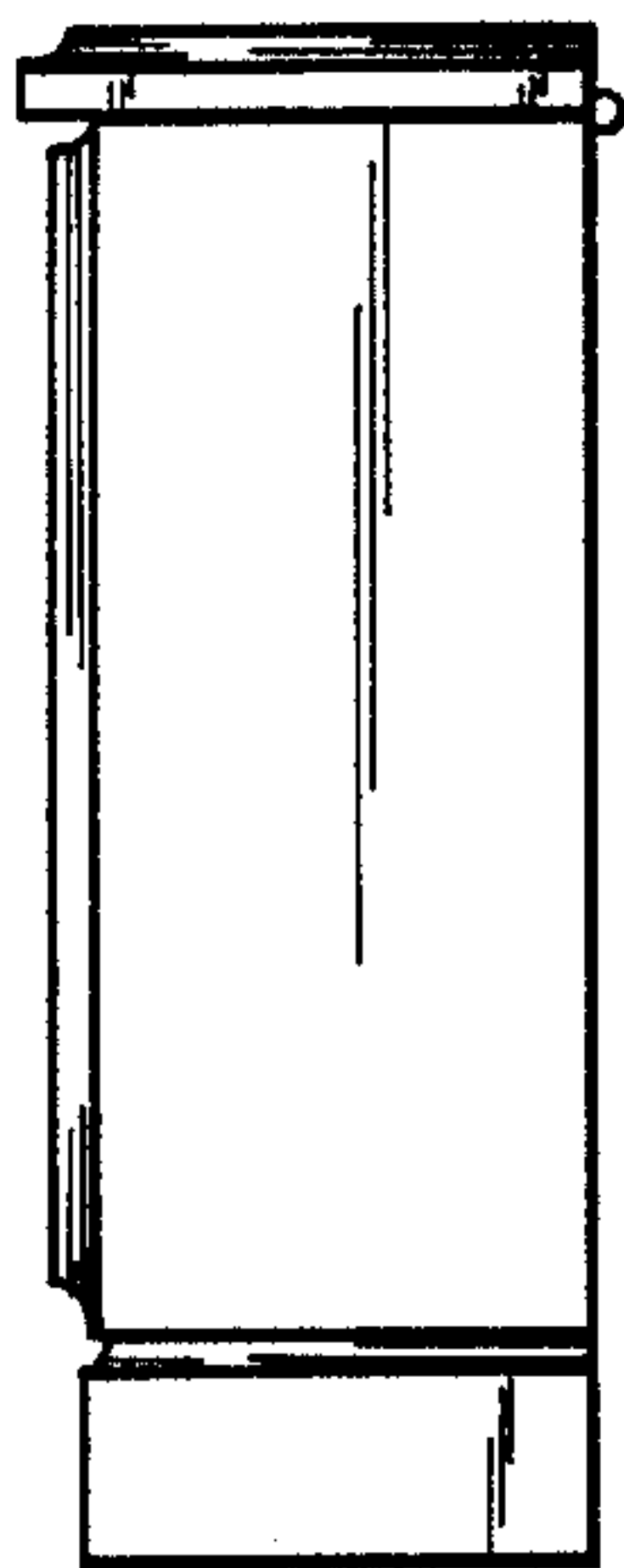


FIG. 5

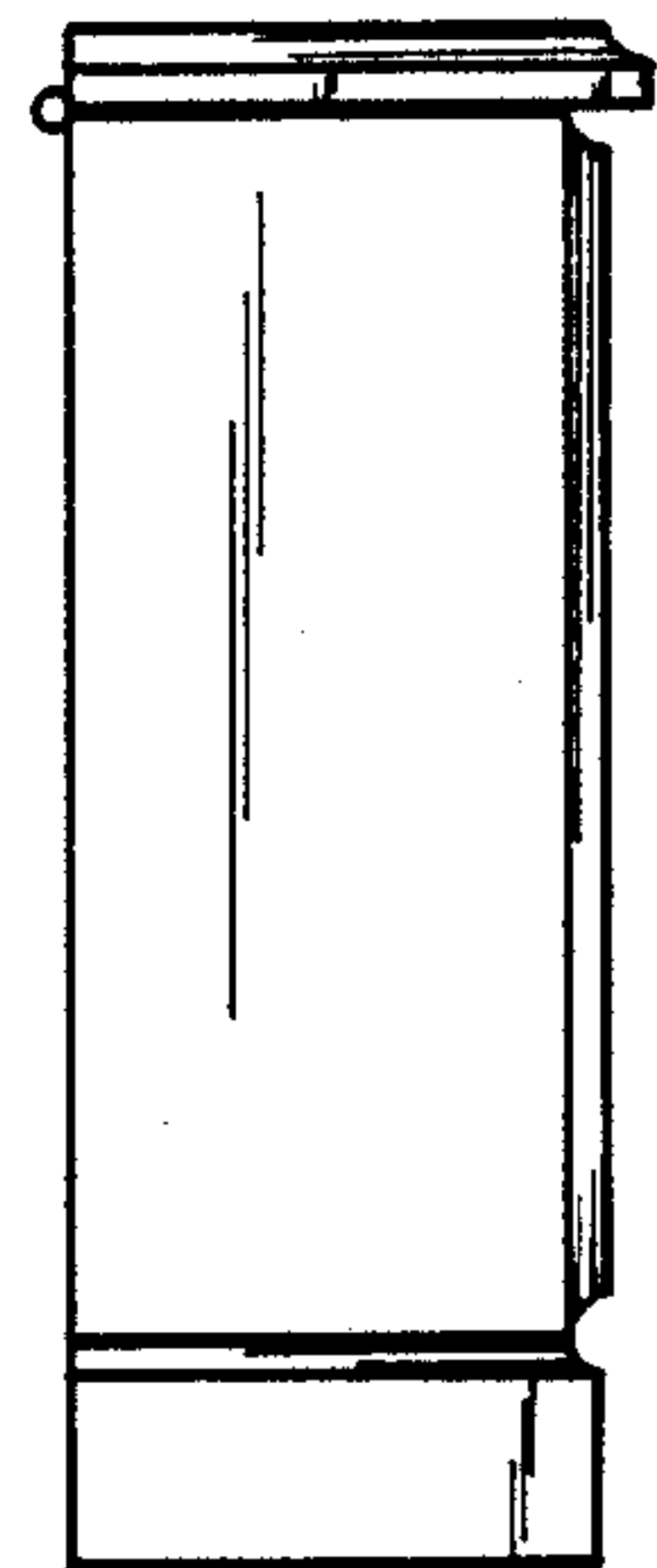


FIG. 6

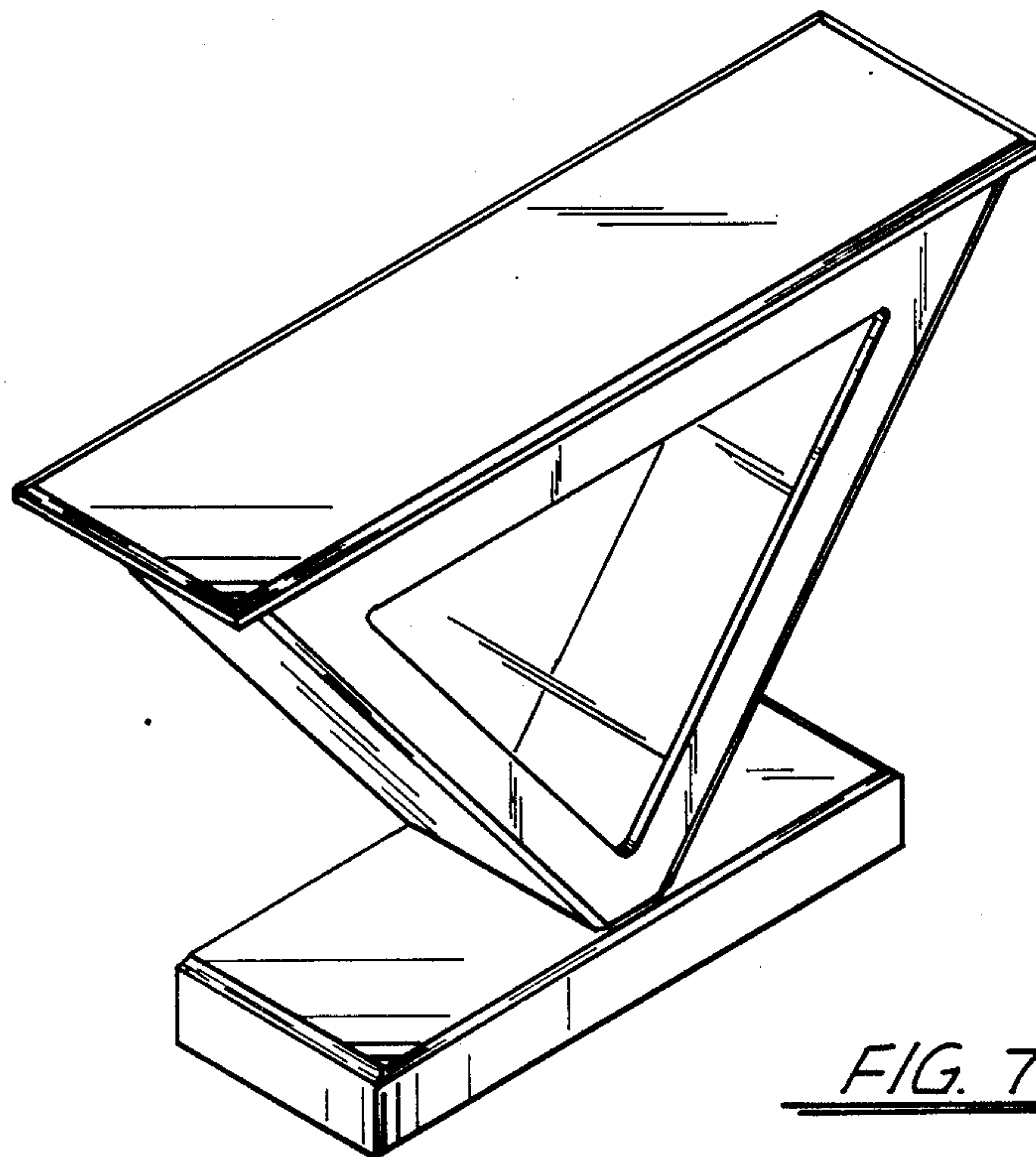


FIG. 7