

[54] LUGGAGE CASE

[75] Inventors: Renato P. Castelli, Gent; Willibald Van Hoyer, Zwijnaarde, both of Belgium; Richard Miles, Crowborough; Stephen T. Green, Oxford, both of England

[73] Assignee: Samsonite Corporation, Denver, Colo.

[\*] Notice: The portion of the term of this patent subsequent to Dec. 26, 2006 has been disclaimed.

[\*\*] Term: 14 Years

[21] Appl. No.: 858,295

[22] Filed: Apr. 30, 1986

[30] Foreign Application Priority Data

Oct. 31, 1985 [GB] United Kingdom ..... 1030155
[52] U.S. Cl. .... D3/76
[58] Field of Search ..... D3/76, 50, 53, 58, 73

[56] References Cited

U.S. PATENT DOCUMENTS

D. 225,590 12/1972 Valaguzza ..... D3/76
D. 286,705 11/1986 Miles ..... D3/76 X
4,299,313 11/1981 Null ..... 190/18 A
4,544,050 10/1985 Seynhaeve ..... 190/18 A

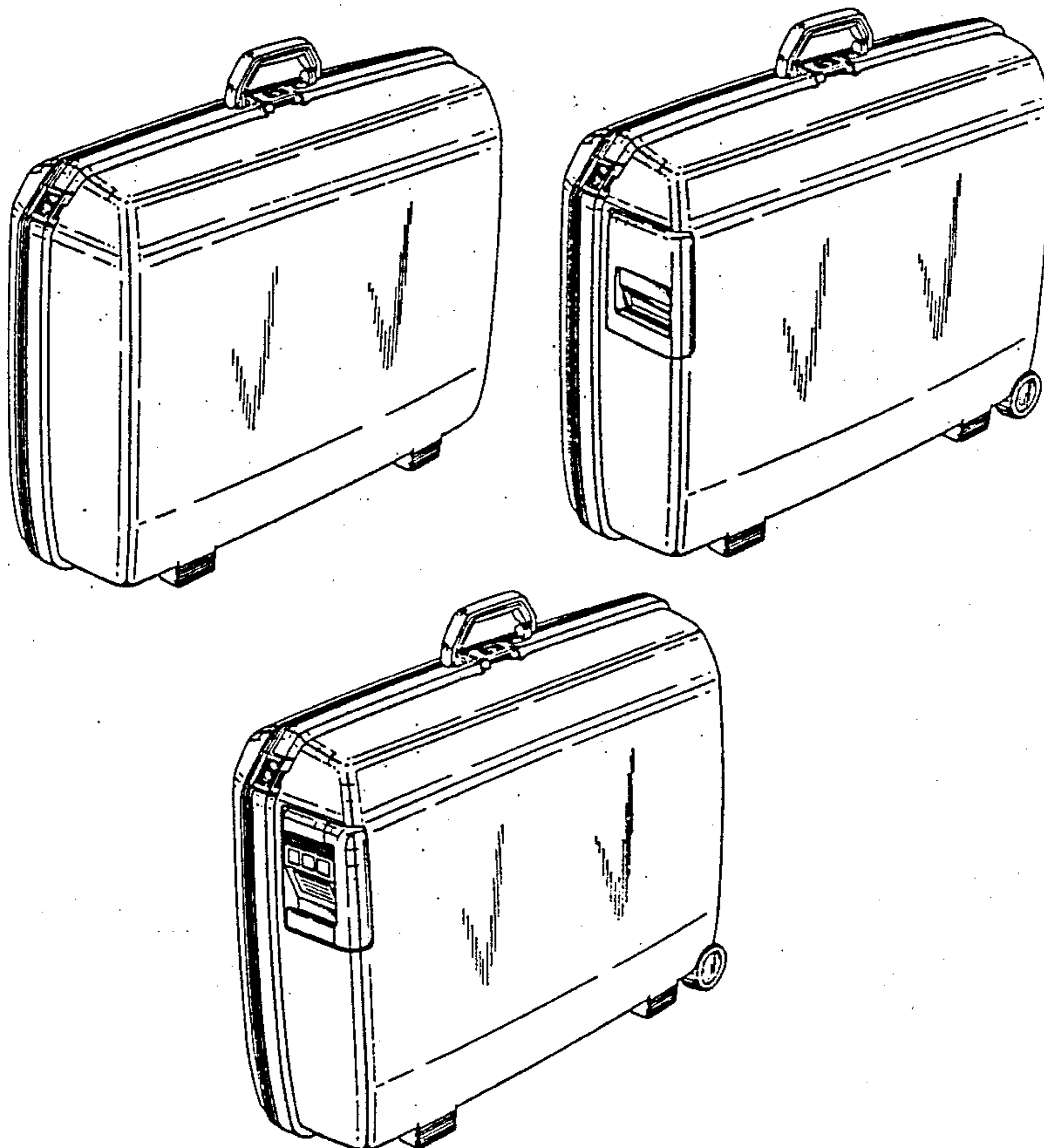
Primary Examiner—James R. Largen
Attorney, Agent, or Firm—Gregory W. O'Connor

[57] CLAIM

The ornamental design for a luggage case, as shown and described.

DESCRIPTION

FIG. 1 is a perspective view taken from the top, front and right side of a luggage case showing our new design;
FIG. 2 is a left side elevational view thereof;
FIG. 3 is a top plan view thereof;
FIG. 4 is a front elevational view thereof, the rear being a mirror image of the front shown;
FIG. 5 is a perspective view taken from the bottom, left side thereof;
FIG. 6 is a perspective view taken from the top, front and right side of a second embodiment thereof;
FIG. 7 is a left side elevational view of FIG. 6;
FIG. 8 is a top plan view of FIG. 6;
FIG. 9 is a front elevational view of FIG. 6;
FIG. 10 is a perspective view taken from the bottom, rear and left side of FIG. 6;
FIG. 11 is a perspective view taken from the top, front and right side of a third embodiment thereof;
FIG. 12 is a left side elevational view of FIG. 11;
FIG. 13 is a top plan view of FIG. 11;
FIG. 14 is a front elevational view of FIG. 11; and
FIG. 15 is a perspective view taken from the bottom, rear and left side of FIG. 11.



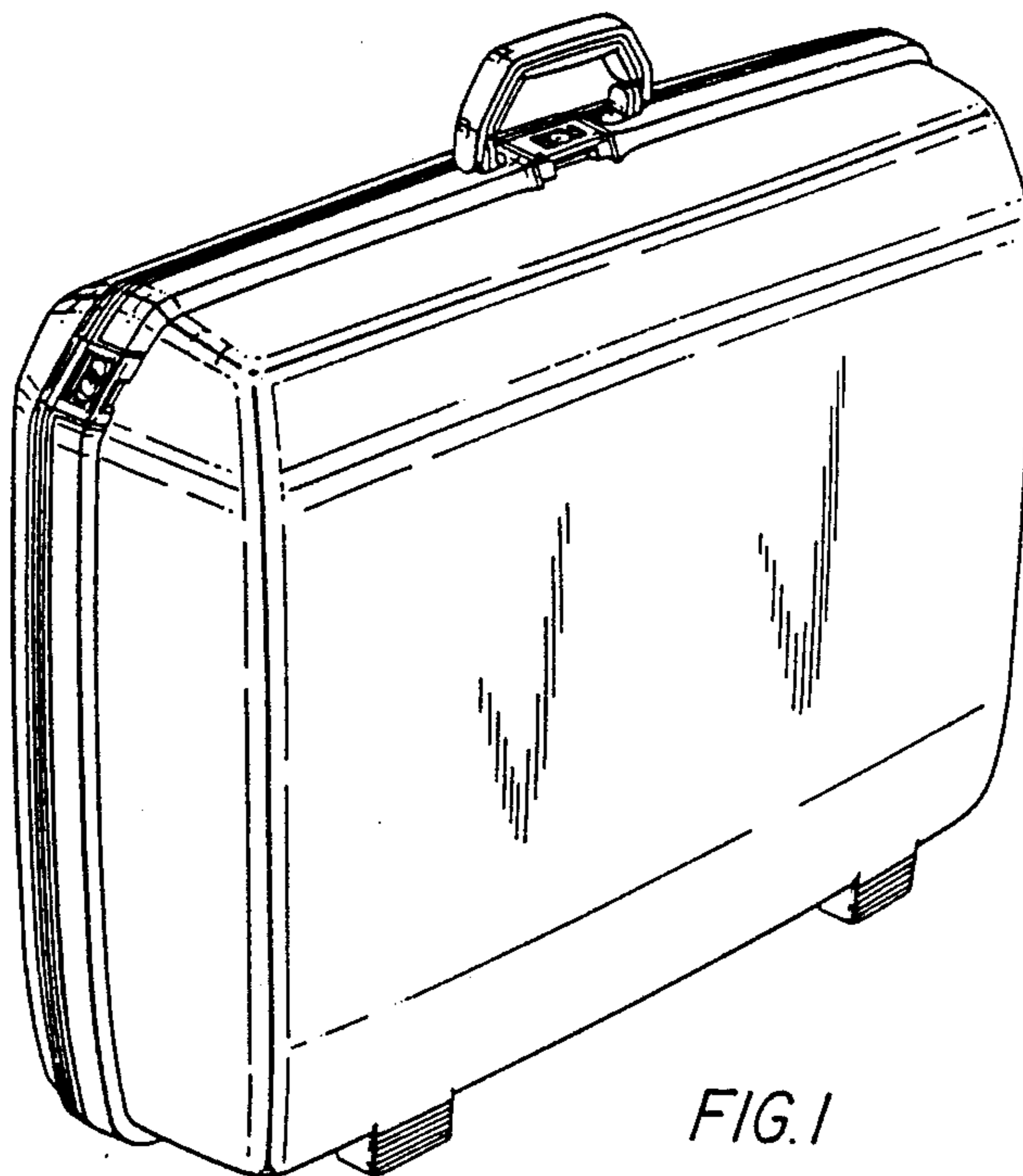


FIG. 1

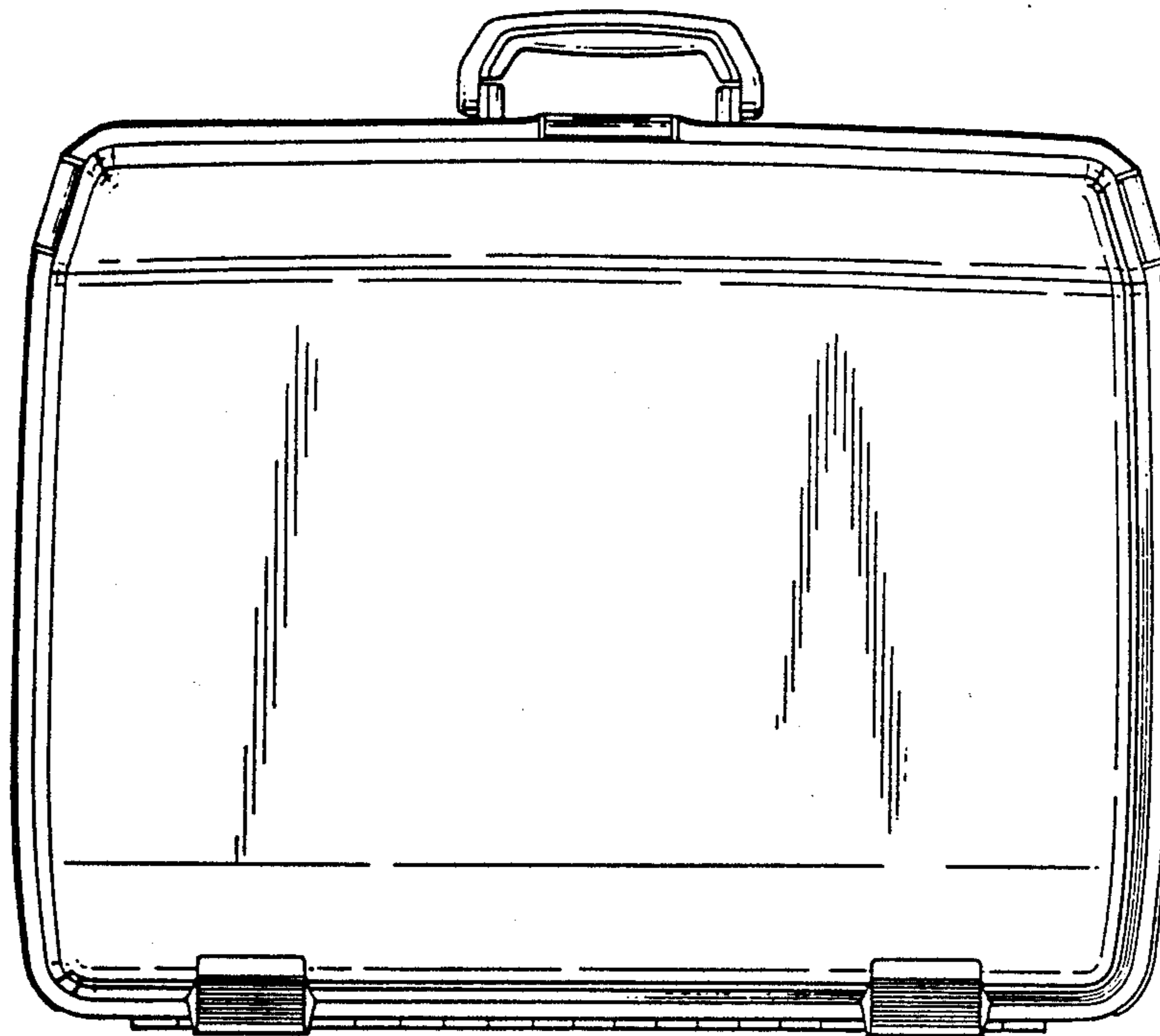


FIG. 2

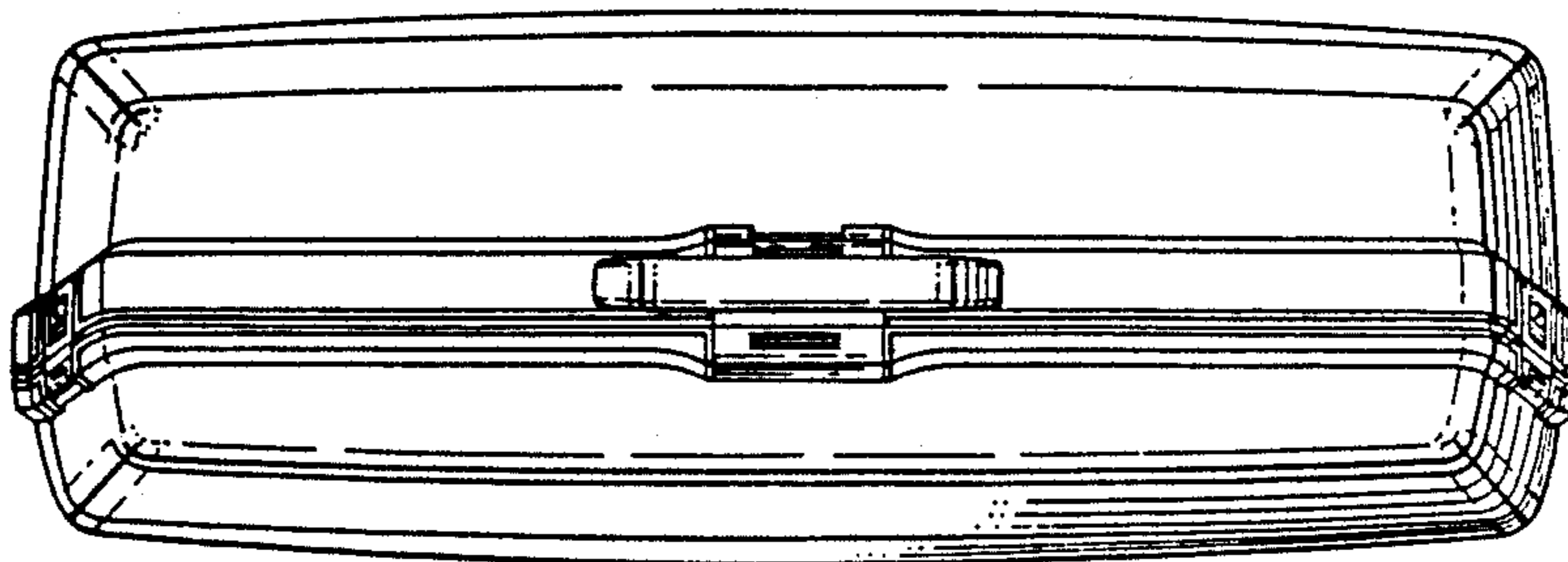


FIG. 3

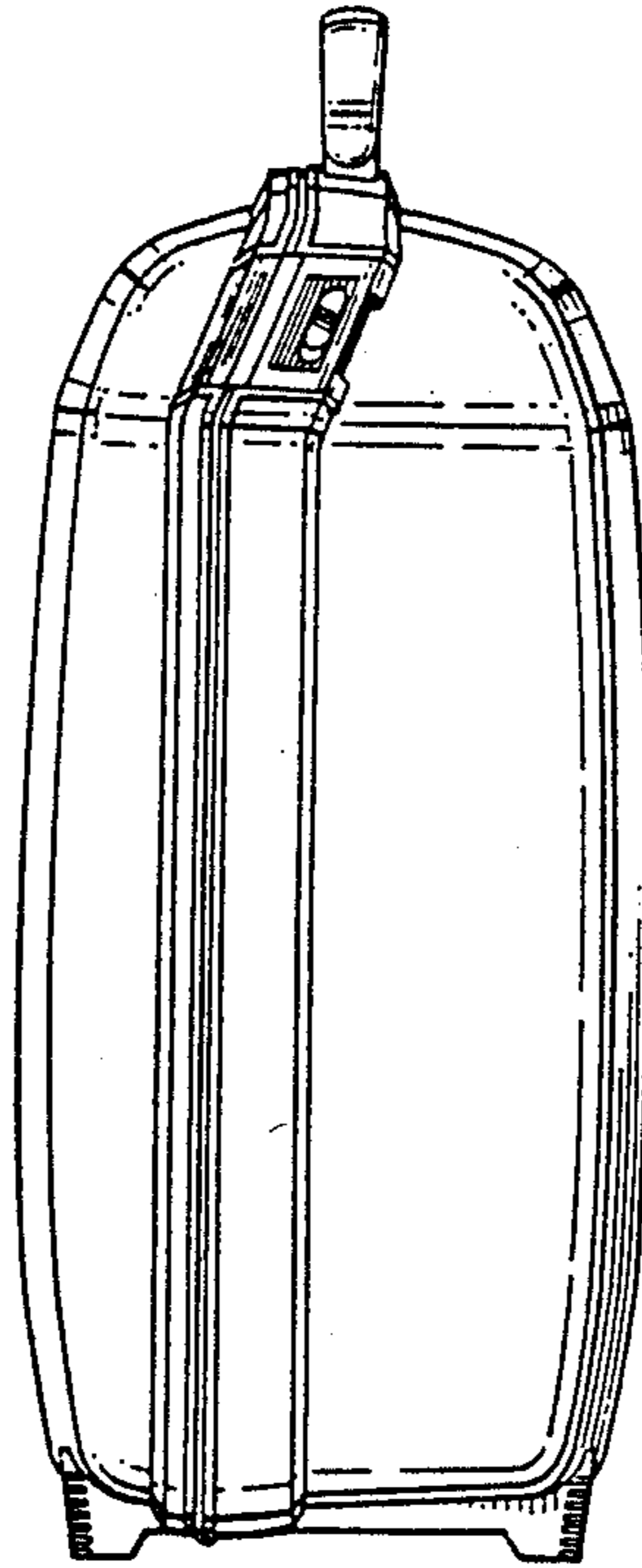


FIG. 4

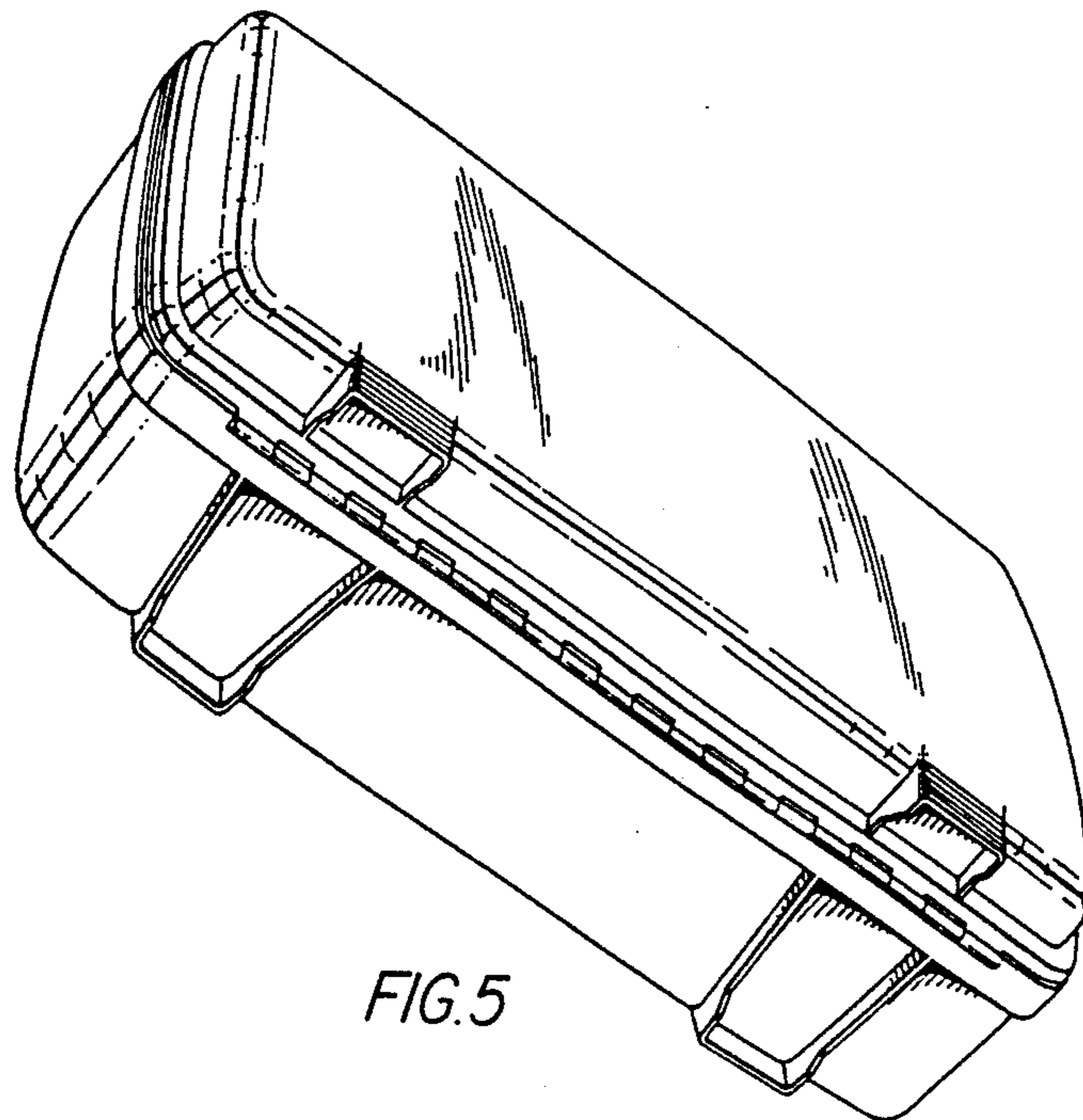


FIG. 5



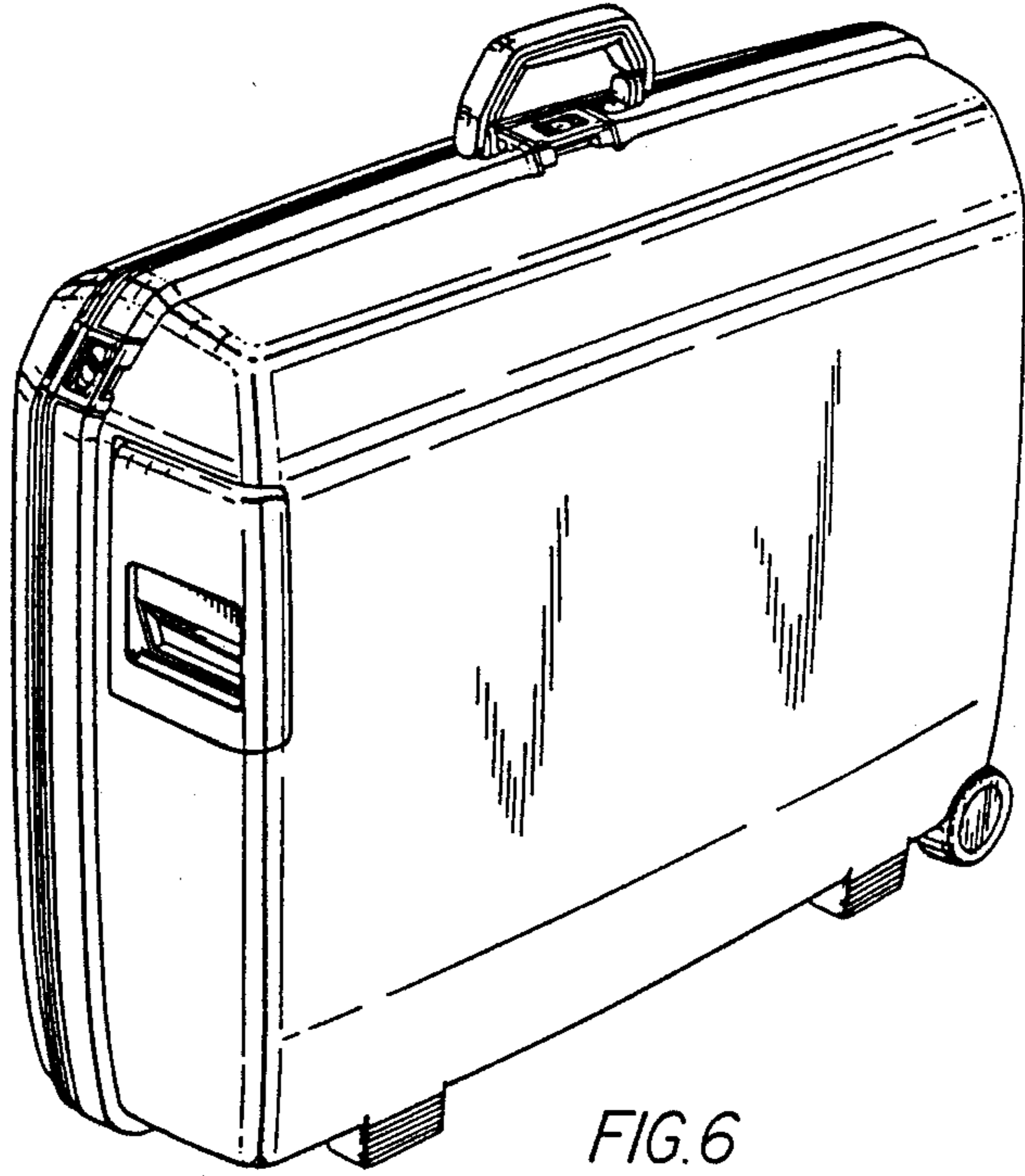


FIG. 6

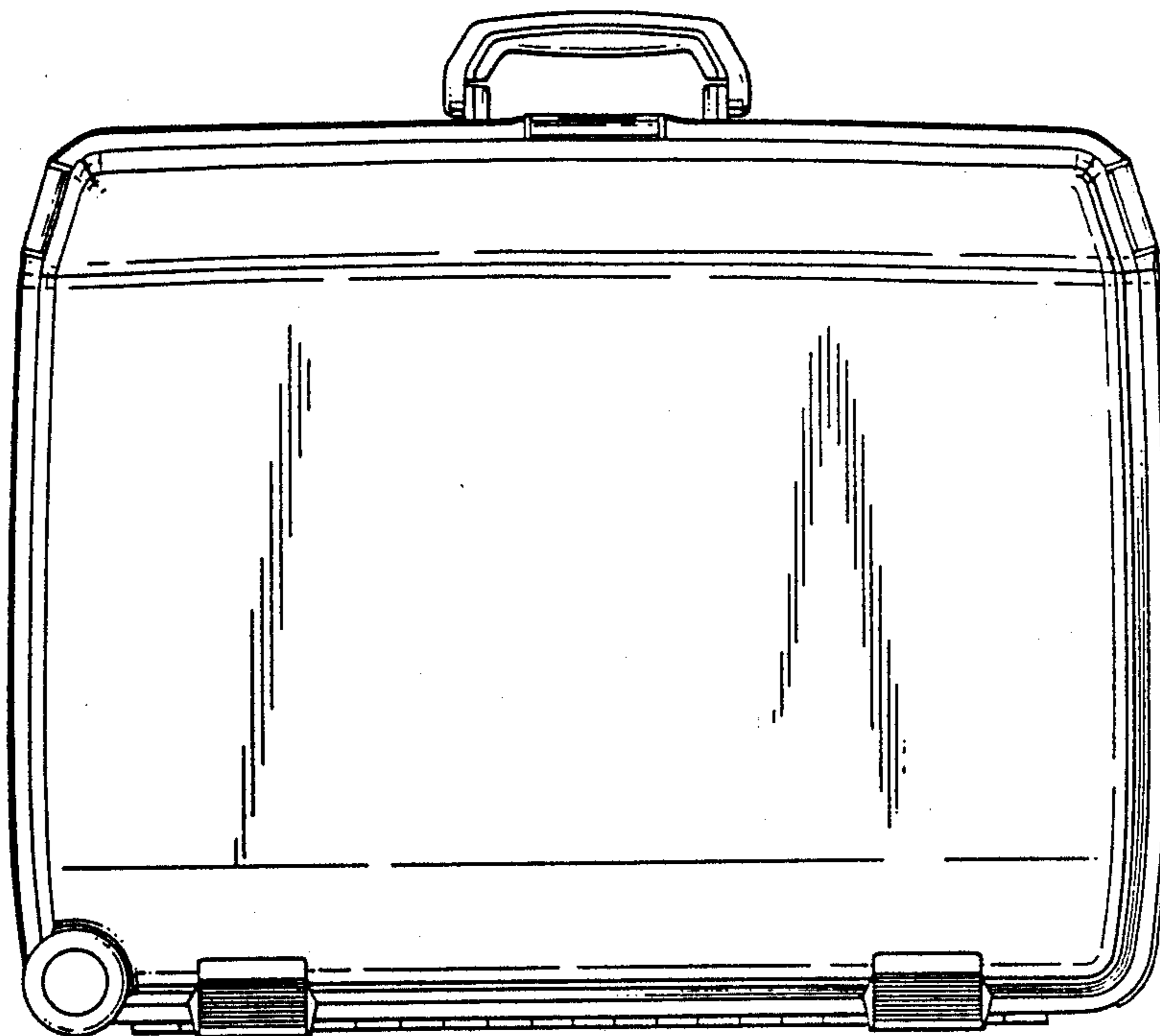


FIG. 7

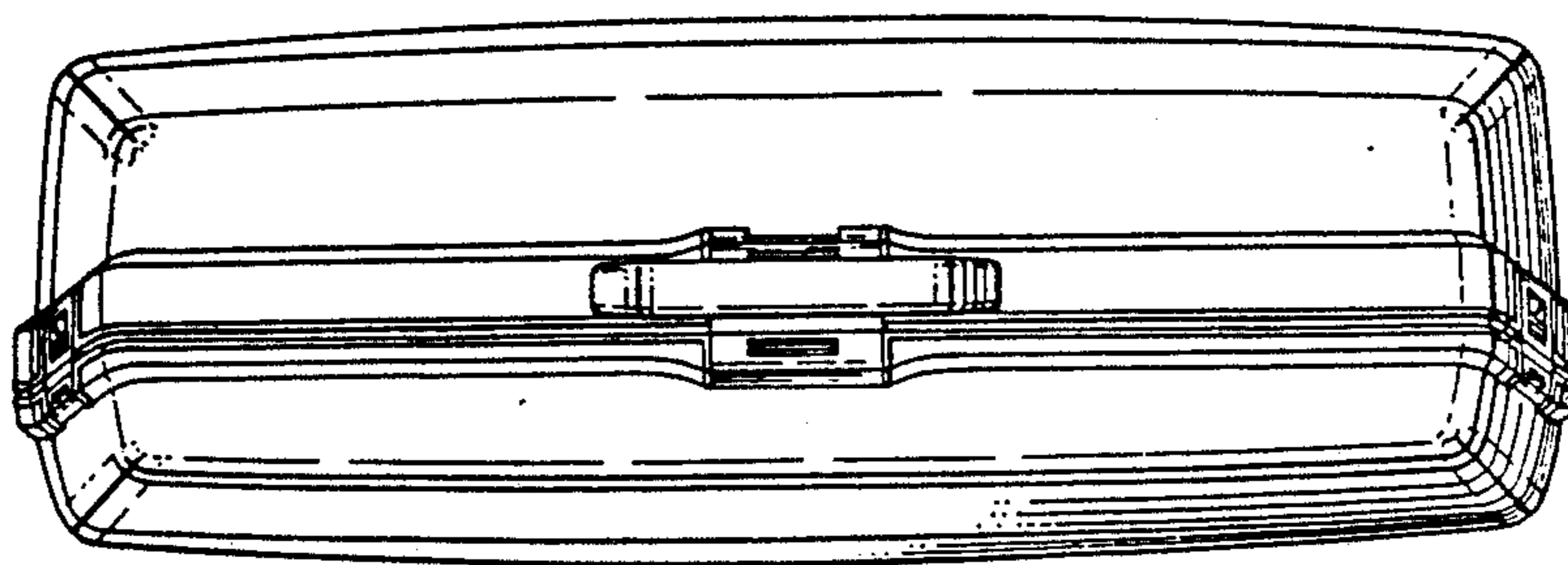


FIG. 8

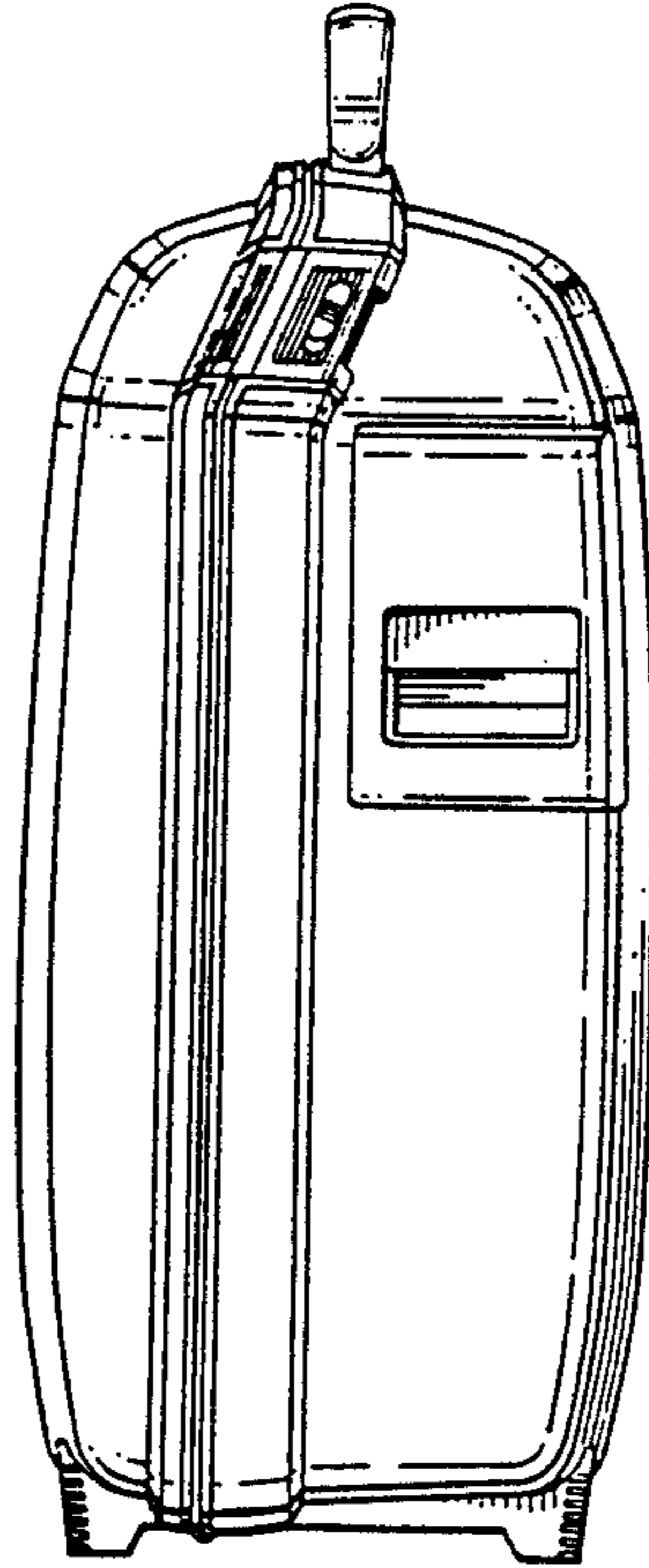
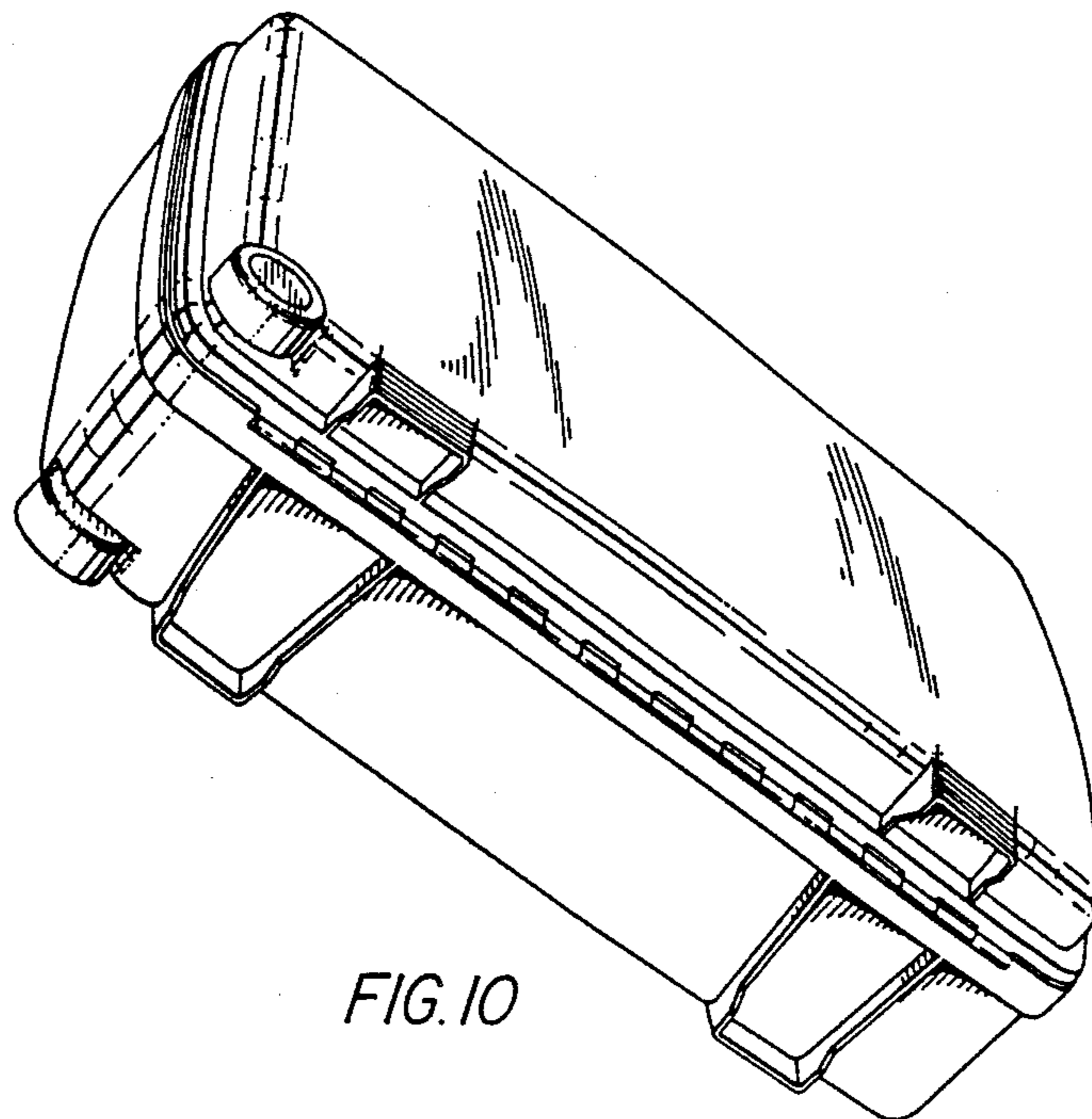


FIG. 9





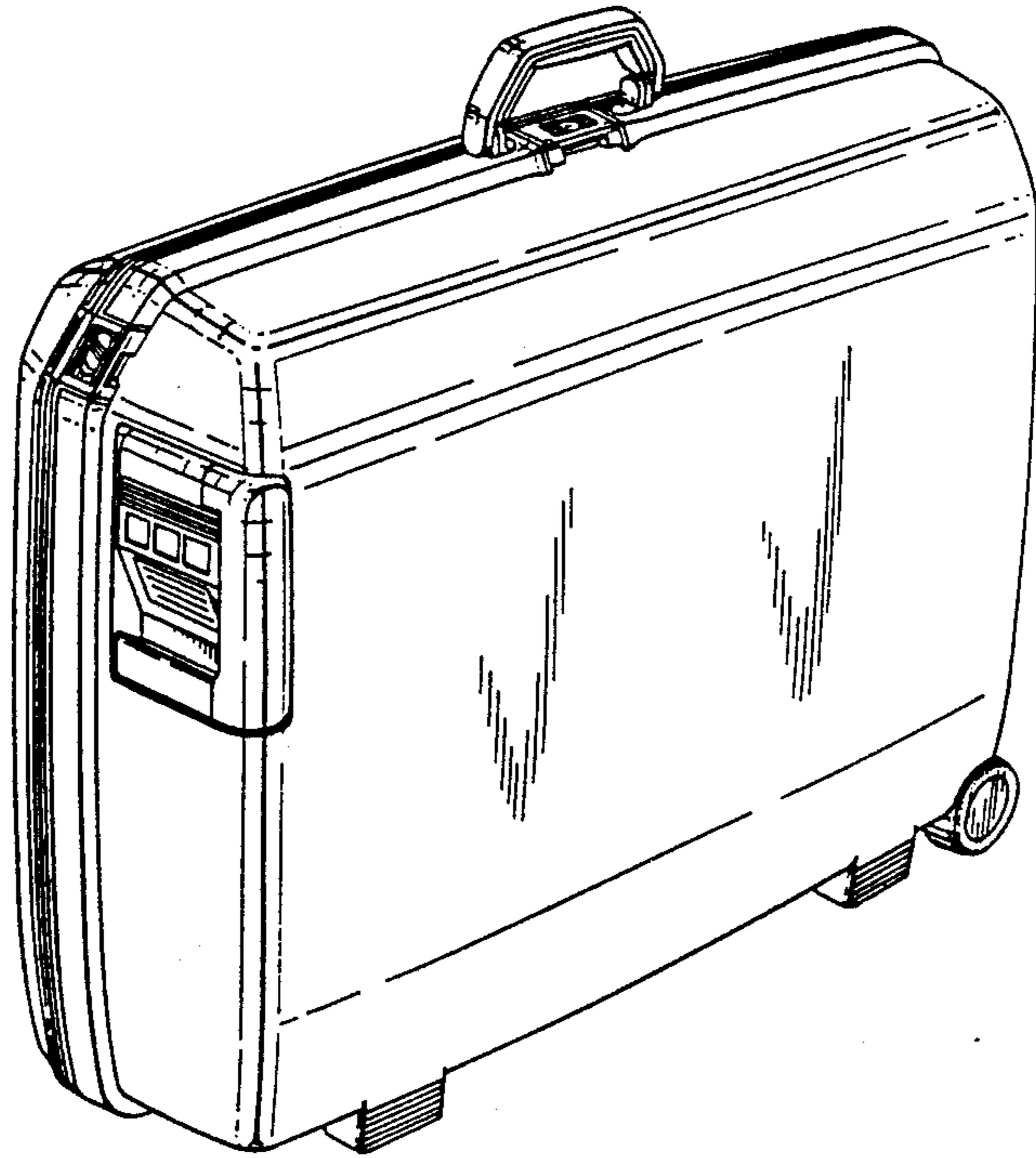


FIG. 11

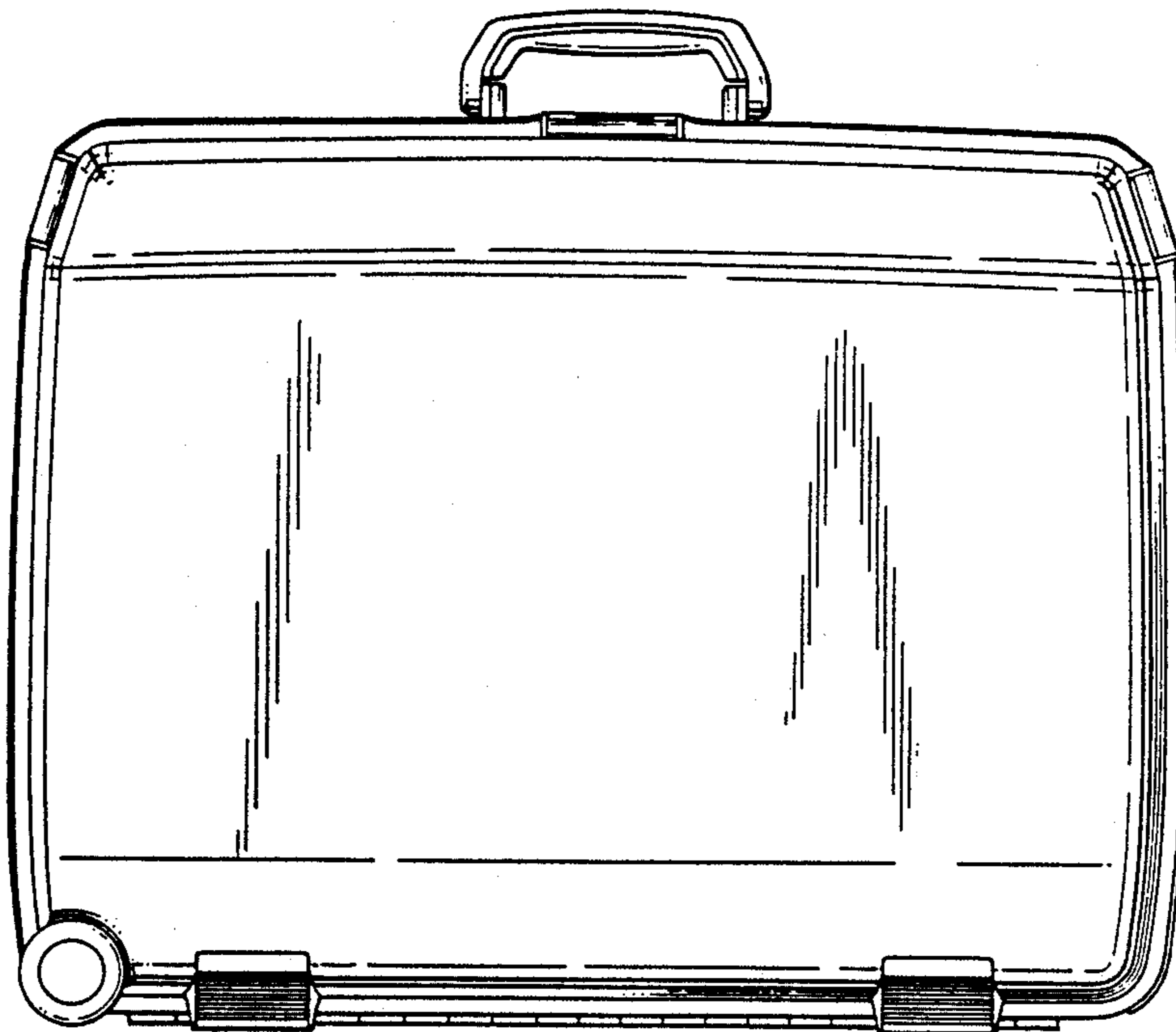


FIG. 12

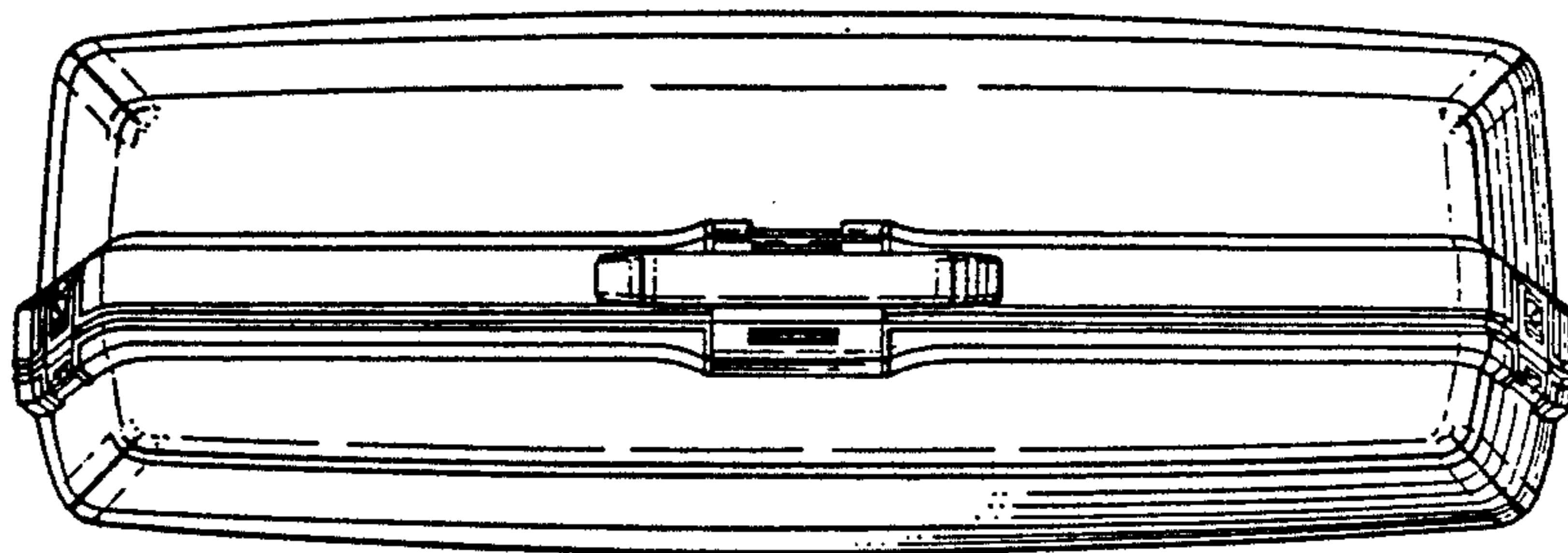


FIG. 13

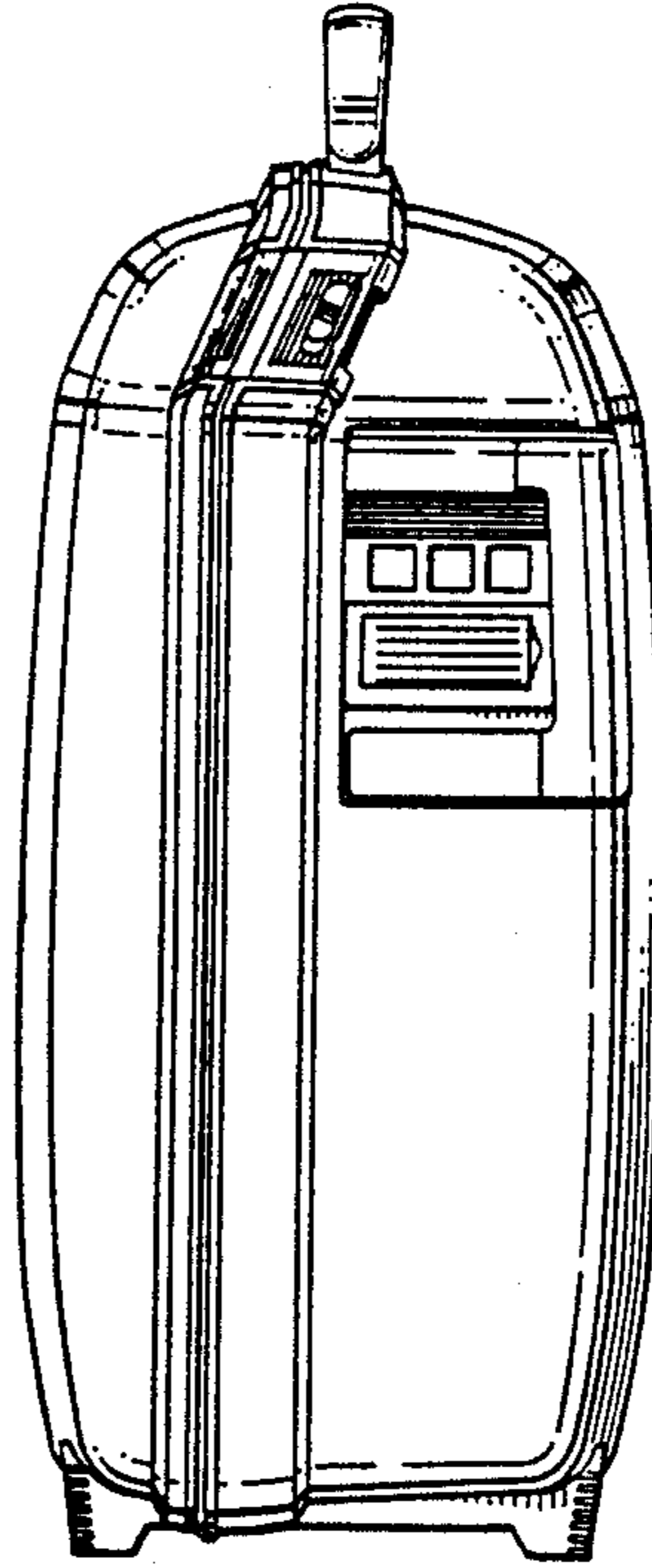


FIG.14

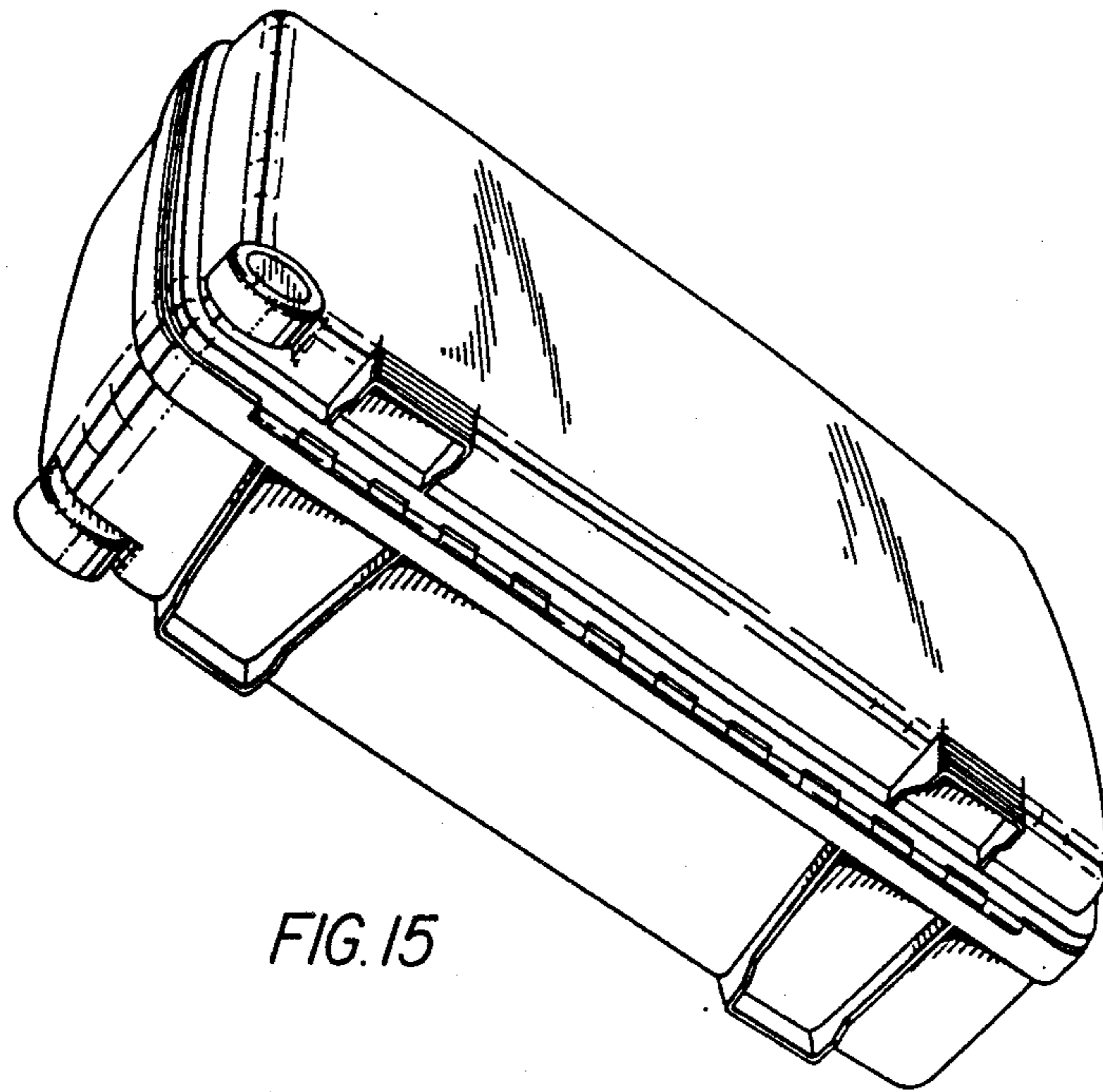


FIG. 15