

[54] GUN RACK FOR A VEHICLE

[76] Inventor: Johnny C. Elkins, Rte. 5, Box 512C, San Angelo, Tex. 76904

[\*\*] Term: 14 Years

[21] Appl. No.: 10,146

[22] Filed: Feb. 2, 1987

[52] U.S. Cl. .... D3/38; 224/913; 224/273; 211/64

[58] Field of Search ..... D3/36, 38; 224/42.45 R, 224/273, 913; 211/64, 163

[56] References Cited

U.S. PATENT DOCUMENTS

D. 222,368	10/1971	Smith	.....	D3/38
D. 238,228	12/1975	Elkins	.....	D3/38
D. 248,433	7/1978	McCollum	.....	D3/36 X
D. 276,196	11/1984	Padgett	.....	D3/38
D. 276,197	11/1984	Padgett	.....	D3/38
3,767,093	10/1973	Pinkerton	.....	224/273

3,931,893	1/1976	Elkins	.....	224/42.4 5 R
4,108,313	8/1978	Bogar, Jr.	.....	224/42.45 R
4,271,997	6/1981	Michael	.....	224 X/913
4,431,122	2/1984	Garmong	.....	224 X/913
4,450,989	5/1984	Bogar, Jr.	.....	224/42.45
4,648,516	3/1987	Elkins	.....	224 X/42.45 R

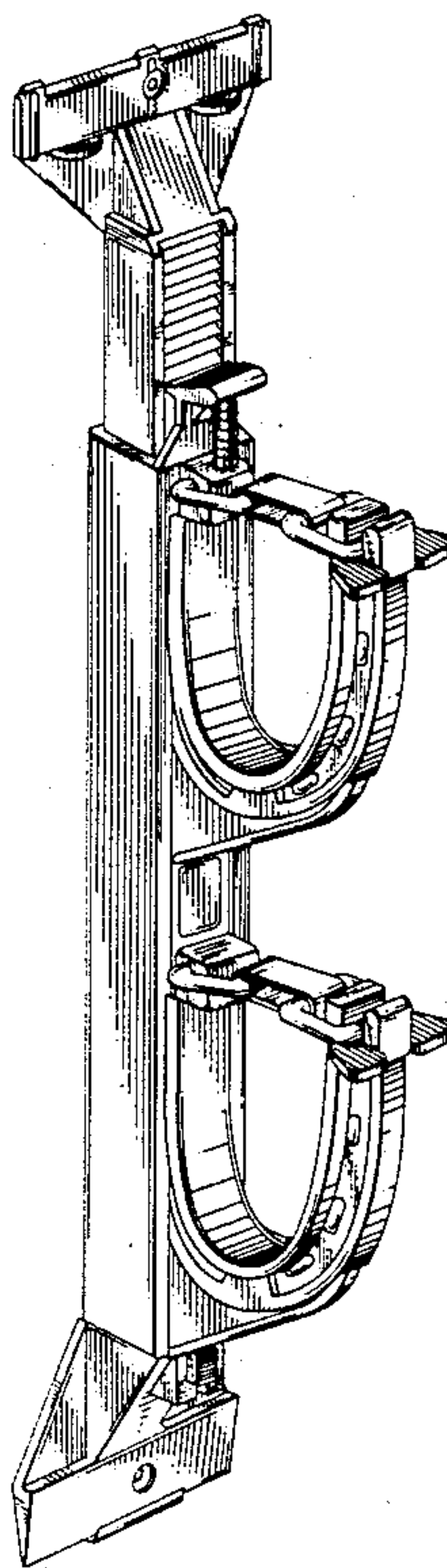
Primary Examiner—James R. Largen  
Assistant Examiner—M. Brunot  
Attorney, Agent, or Firm—Marcus L. Bates

[57] CLAIM

The ornamental design for a gun rack for a vehicle, as shown and described.

DESCRIPTION

FIG. 1 is a top, front and left side perspective view of a gun rack for a vehicle showing my new design; FIG. 2 is a reduced, right side elevational view; FIG. 3 is a top plan view of FIG. 2; FIG. 4 is a rear elevational view thereof; FIG. 5 is a front elevational view thereof; and FIG. 6 is a bottom plan view thereof.



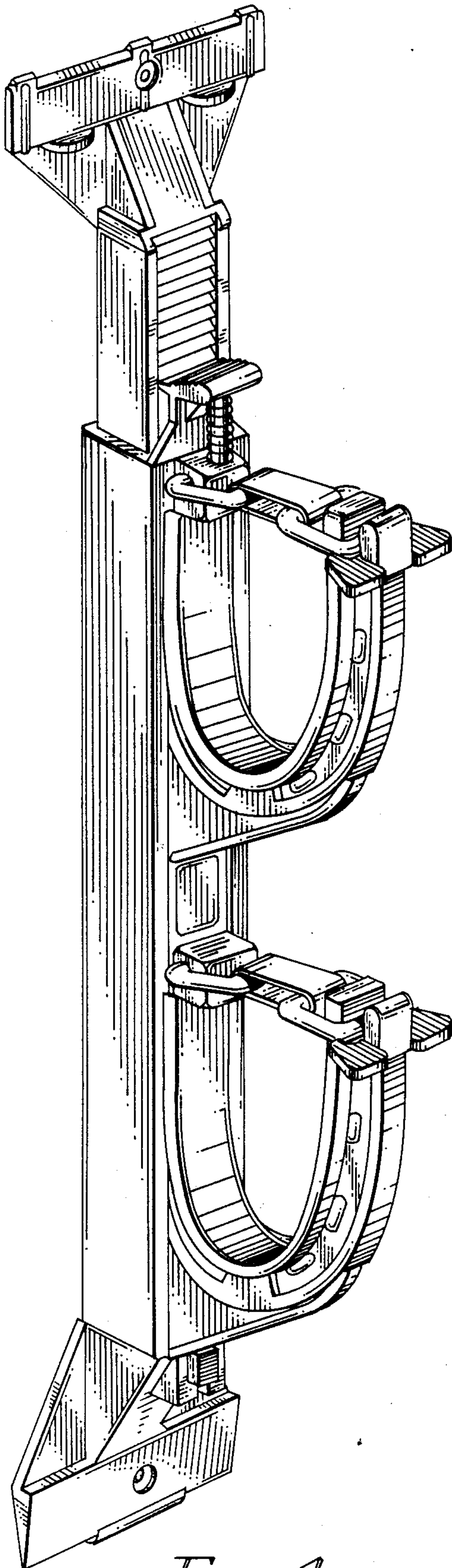


FIG. 1

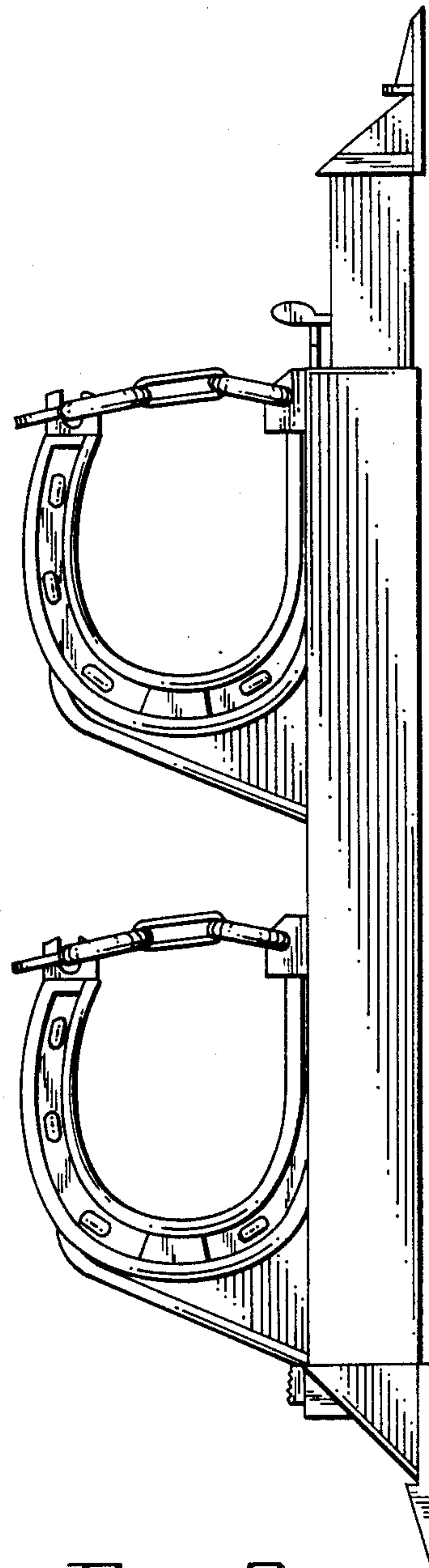


FIG. 2

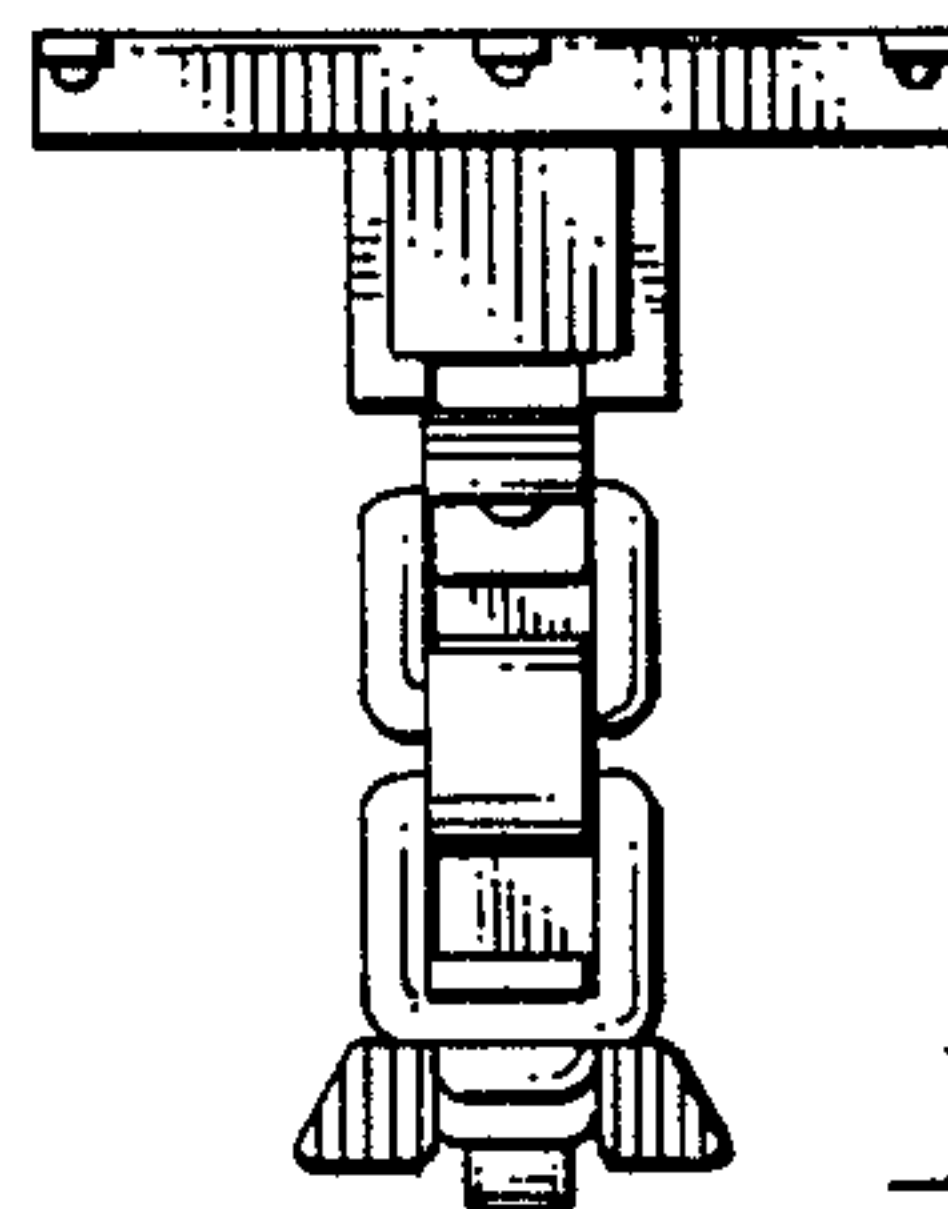


FIG. 3

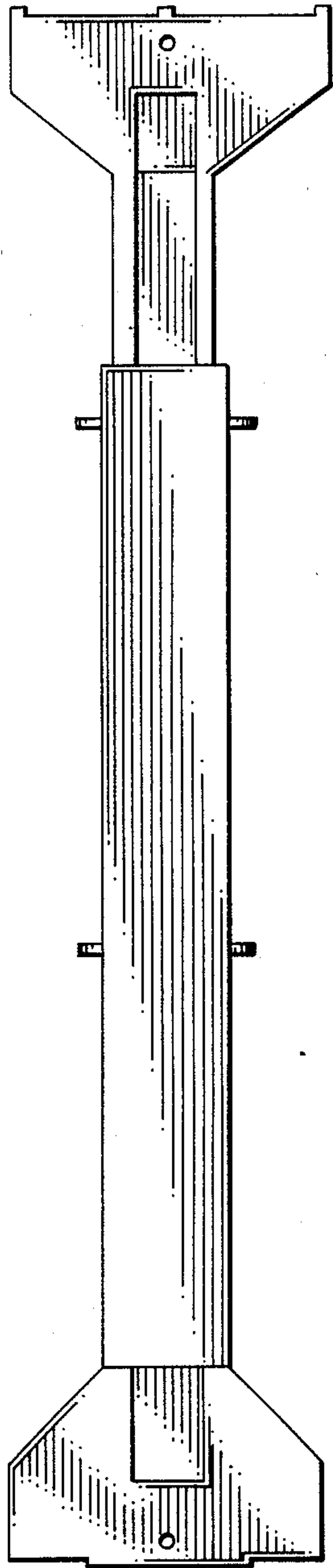


FIG. 4

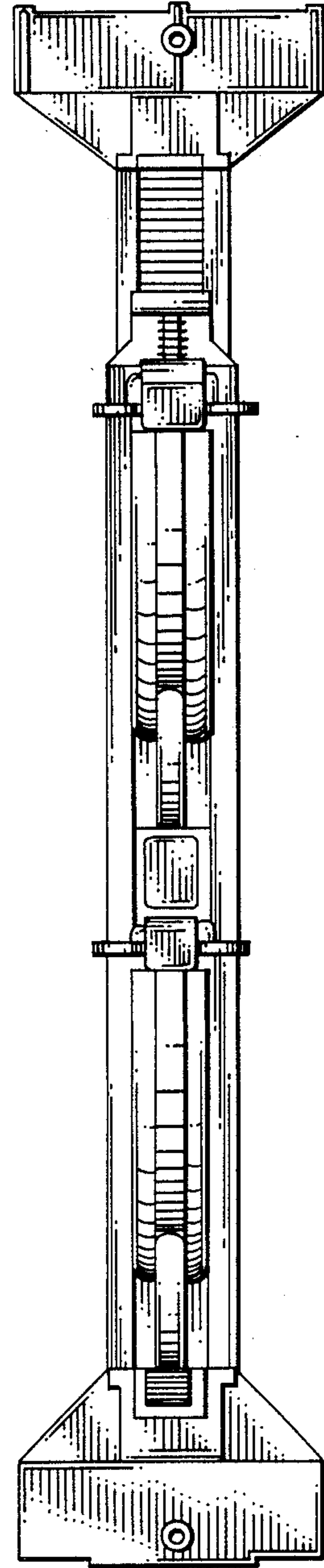


FIG. 5

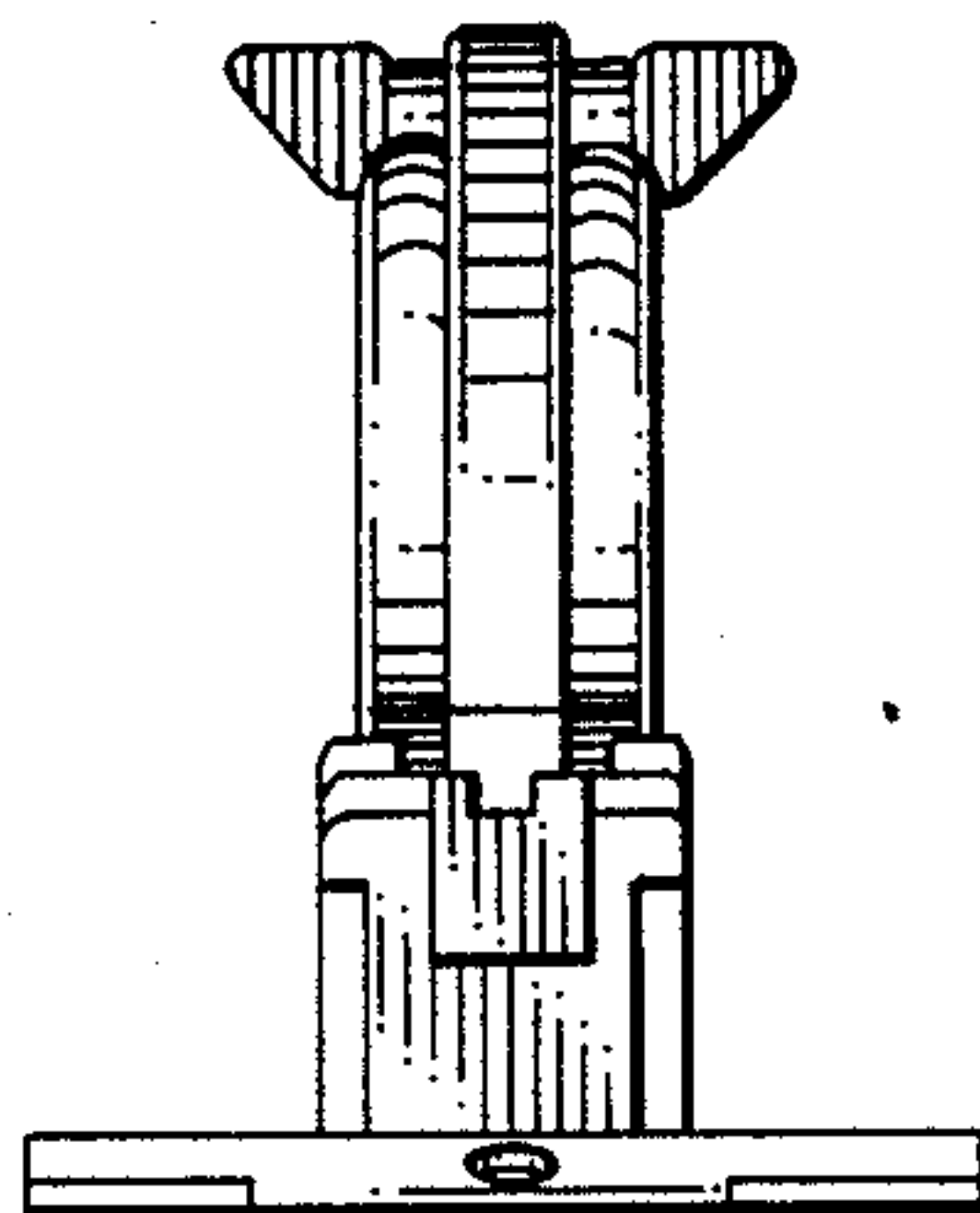


FIG. 6