

[54] CONTAINER FOR DRILLING CORE

[76] Inventor: Finn Utsola, Karisto 14 B, N-4040 Madla, Norway

[**] Term: 14 Years

[21] Appl. No.: 9,142

[22] Filed: Jan. 30, 1987

[30] Foreign Application Priority Data

Sep. 26, 1986 [NO] Norway 67689

[52] U.S. Cl. D3/30.1; 175/226

[58] Field of Search D3/30.1, 33, 37, 38, D3/77; D7/601, 602, 605, 607, 608; D34/40, 43; D8/71, 323, 330, 316; D9/426, 432, 443; D15/122; 190/19, 39, 903, 26; 294/147; 175/5, 6, 18, 89, 91, 402, 226; 206/315.1, 315.11, 349, 163, 317, 472, 427, 428; 220/70, 94 R, 4 B, 4 E; 312/DIG. 33; 350/117; 383/18, 907, 4; 215/100 A; 224/202, 917; 150/107, 154

[56] References Cited

U.S. PATENT DOCUMENTS

- 219,731 9/1879 Jackson 220/4 B
D. 222,688 11/1971 Canton 206/315.1
D. 257,913 1/1981 O'Dair D3/38
D. 293,044 12/1987 Johnson D3/30.1
D. 293,085 12/1987 Yokoyama D3/30.1
D. 303,745 10/1989 Lowe et al. D3/30.1
439,562 10/1890 Richards 206/317
455,279 6/1891 Cunningham 206/349
1,135,428 4/1915 Bilber 190/19
1,926,162 9/1933 Moberly 206/315.11

- 2,702,225 2/1955 Hawkins 312/DIG. 33
2,706,036 4/1955 Neal 206/317
2,760,674 8/1956 Karp 220/4 B
3,298,594 1/1967 Makowski et al. 220/4 B
3,368,709 2/1968 Waller 220/94 R
4,071,099 1/1978 Hensel, Jr. 175/226
4,162,005 7/1979 Linger D3/30.1
4,170,801 10/1979 Ward D3/38
4,238,063 12/1980 O'Dair 312/DIG. 33
4,269,311 5/1981 Rich D3/30.1

FOREIGN PATENT DOCUMENTS

- 1116141 1/1982 Canada 206/315.1
1942962 8/1969 Fed. Rep. of Germany 206/349

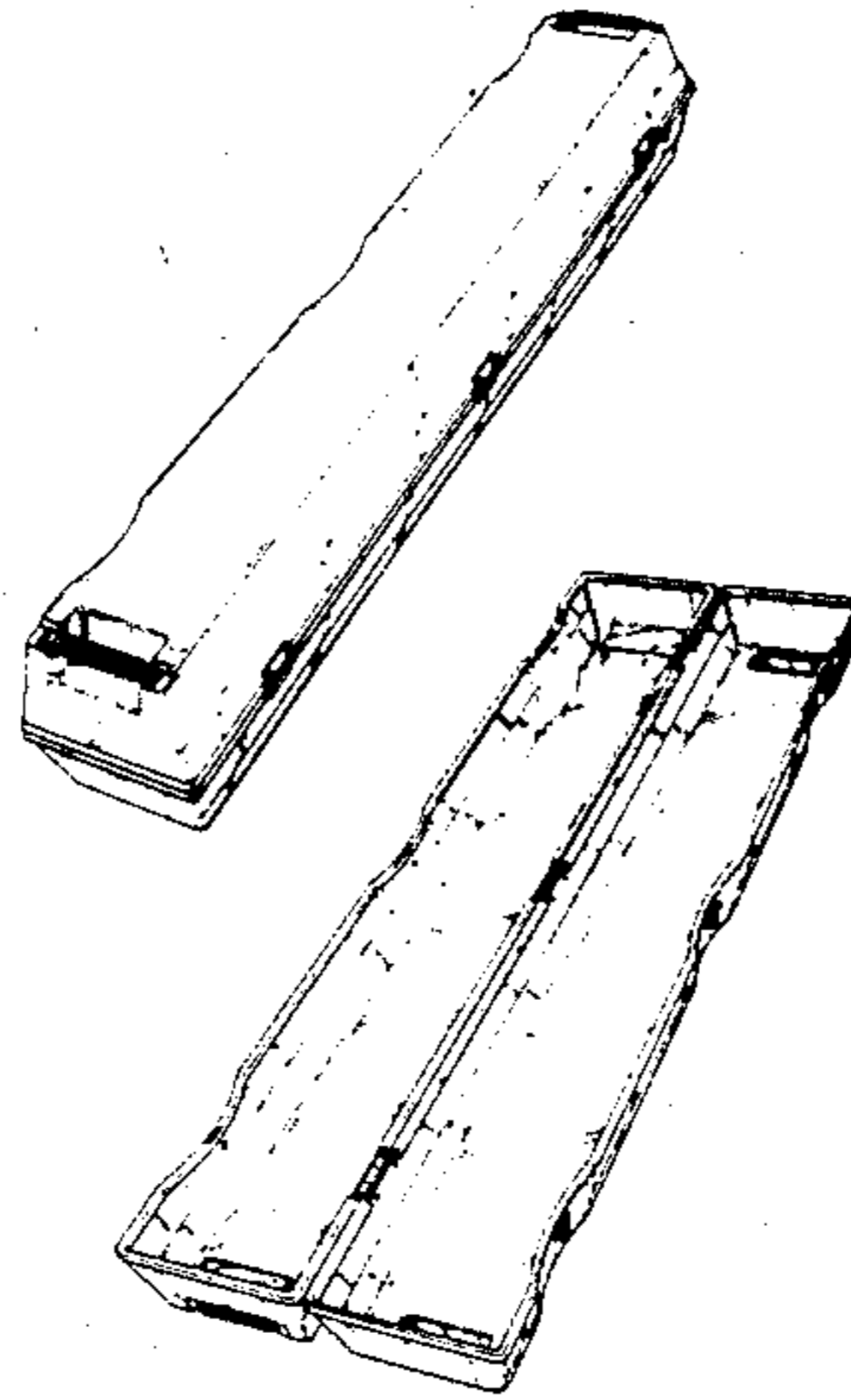
Primary Examiner—James R. Largen
Assistant Examiner—Cathy Anne MacCormac
Attorney, Agent, or Firm—Foley & Lardner, Schwartz, Jeffery, Schwaab, Mack, Blumenthal & Evans

[57] CLAIM

The ornamental design for a container for drilling core, as shown and described.

DESCRIPTION

FIG. 1 is a top, rear and right side perspective view of a container for drilling core showing my new design; FIG. 2 is another perspective view showing the container open; FIG. 3 is a side elevational view thereof, the opposite side being identical to the side shown; FIG. 4 is a front elevational view thereof; FIG. 5 is a top plan view thereof; FIG. 6 is a rear elevational view thereof; and FIG. 7 is a bottom plan view thereof.



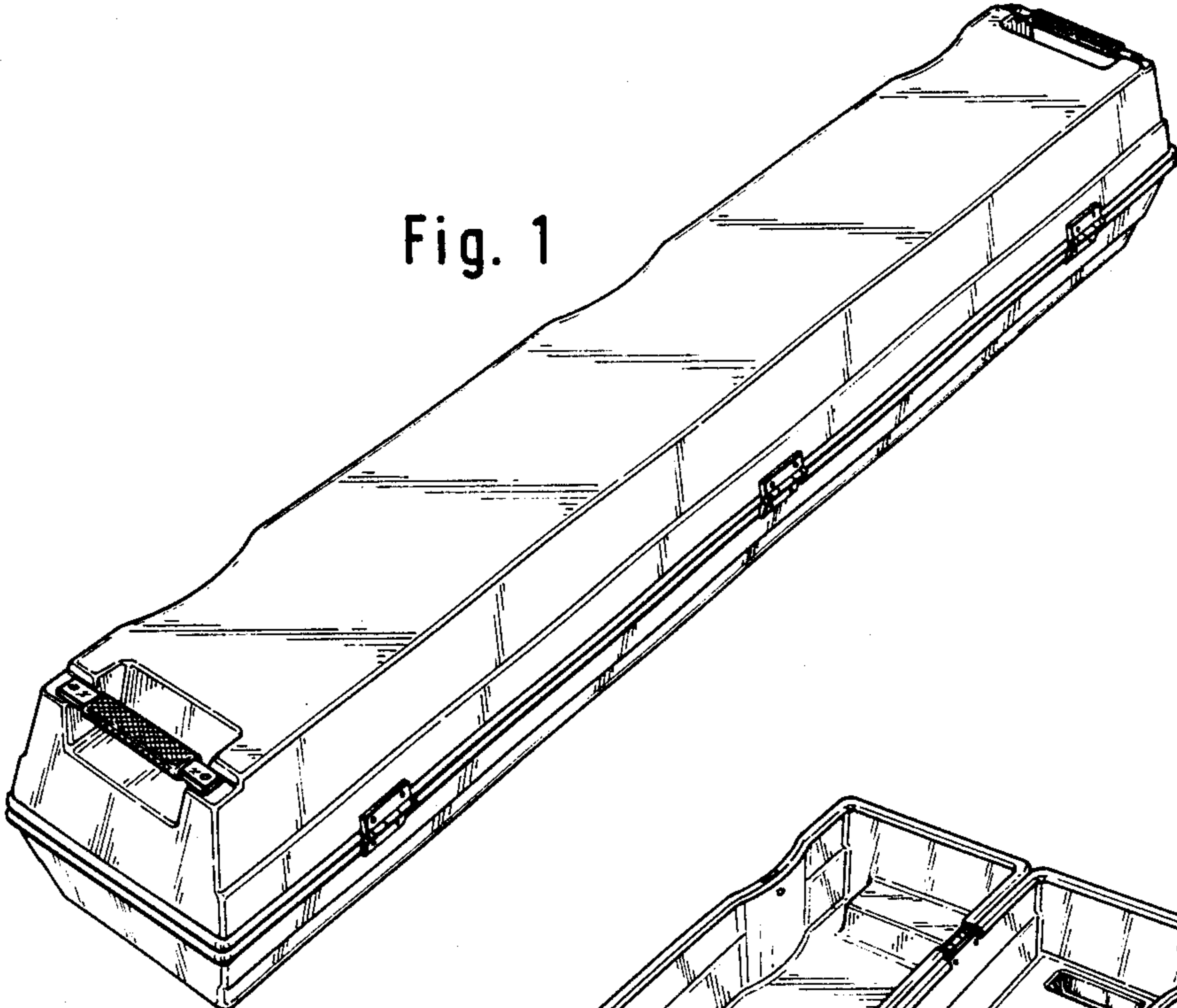


Fig. 1

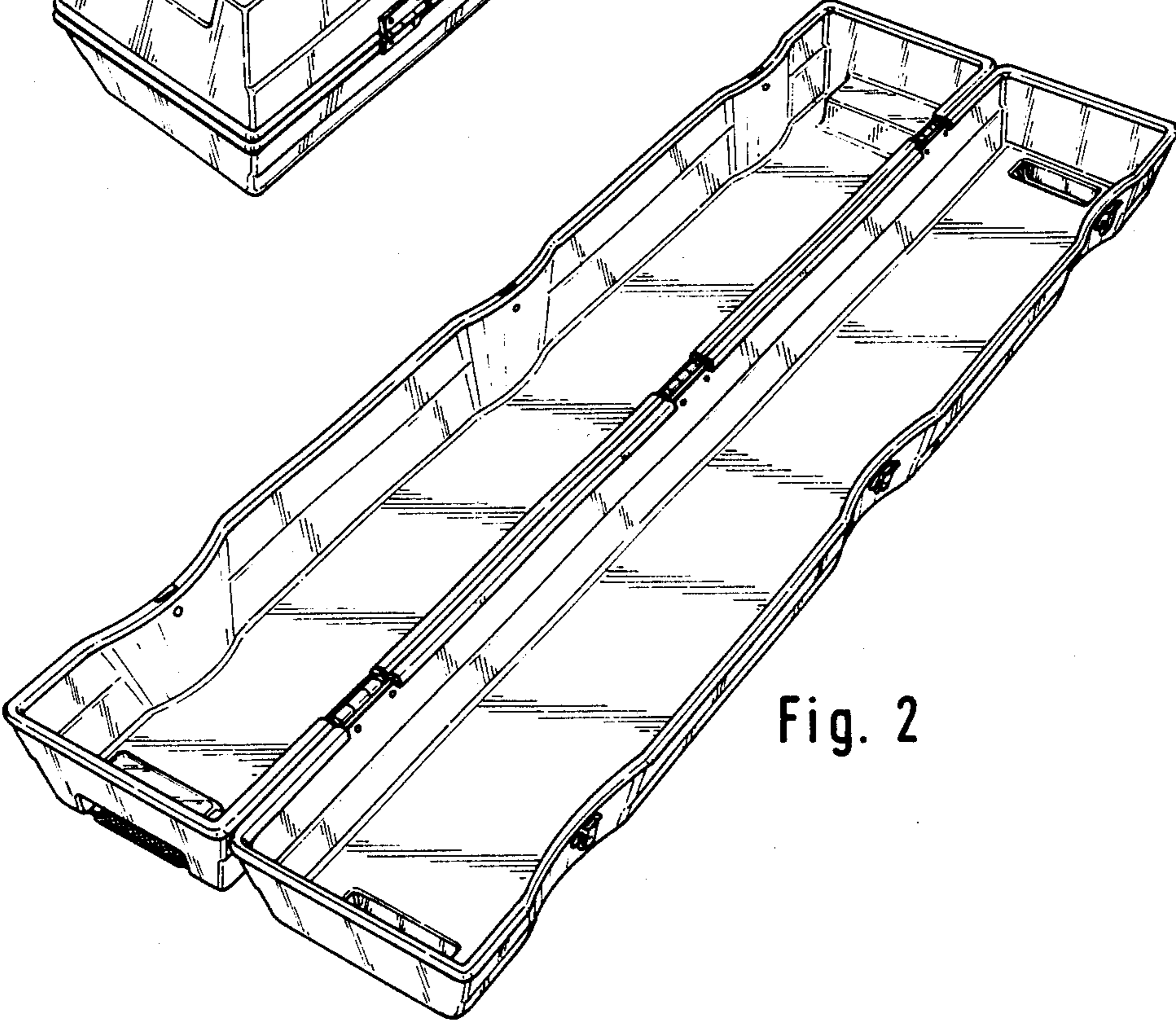


Fig. 2

Fig. 3

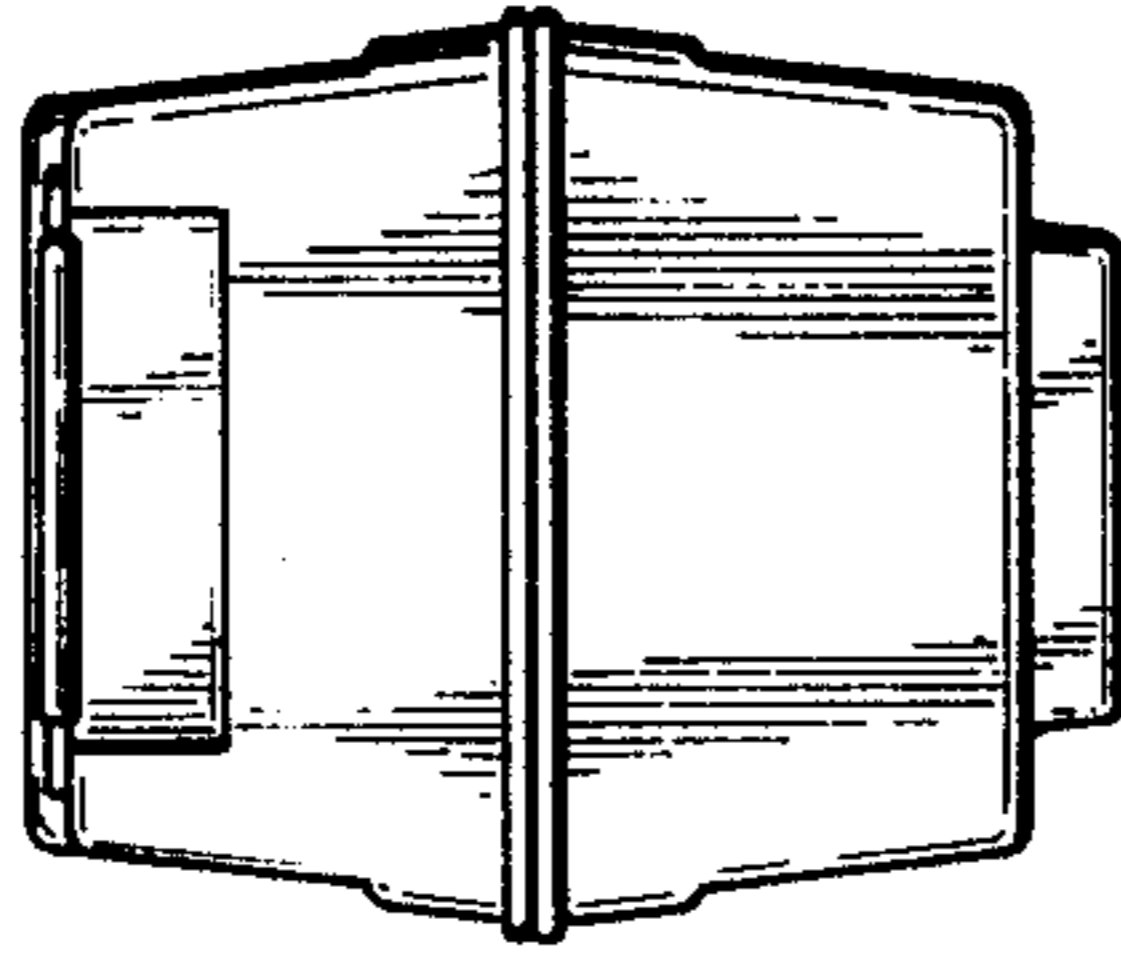


Fig. 4

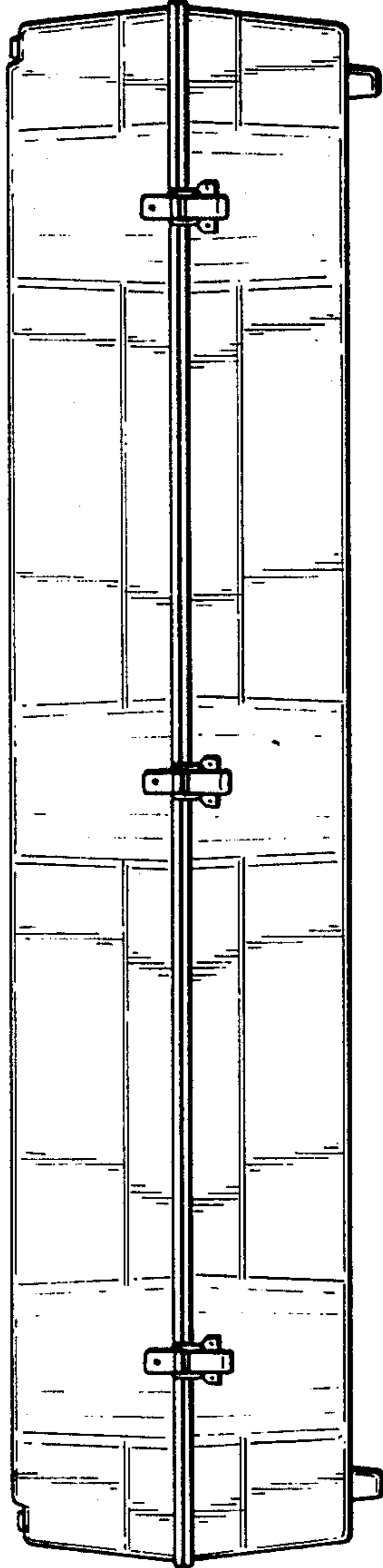


Fig. 5

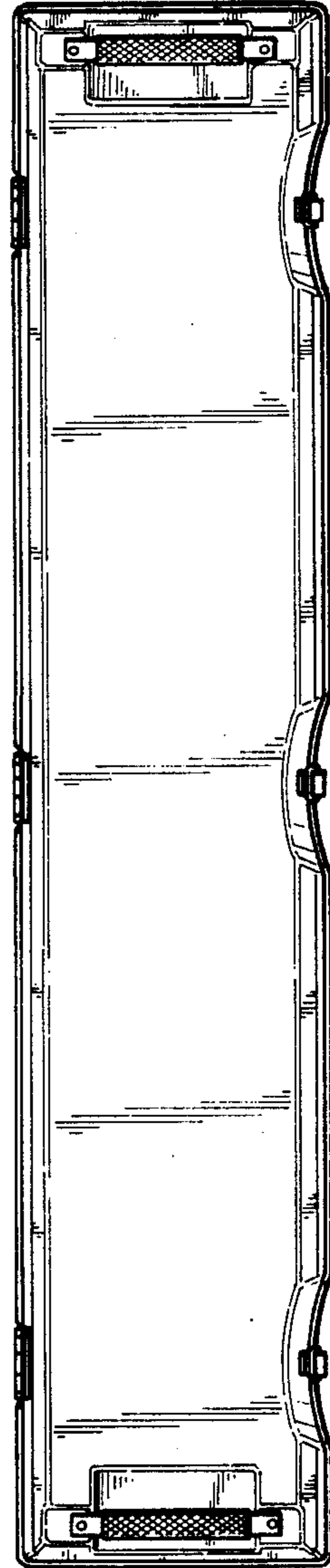


Fig. 7

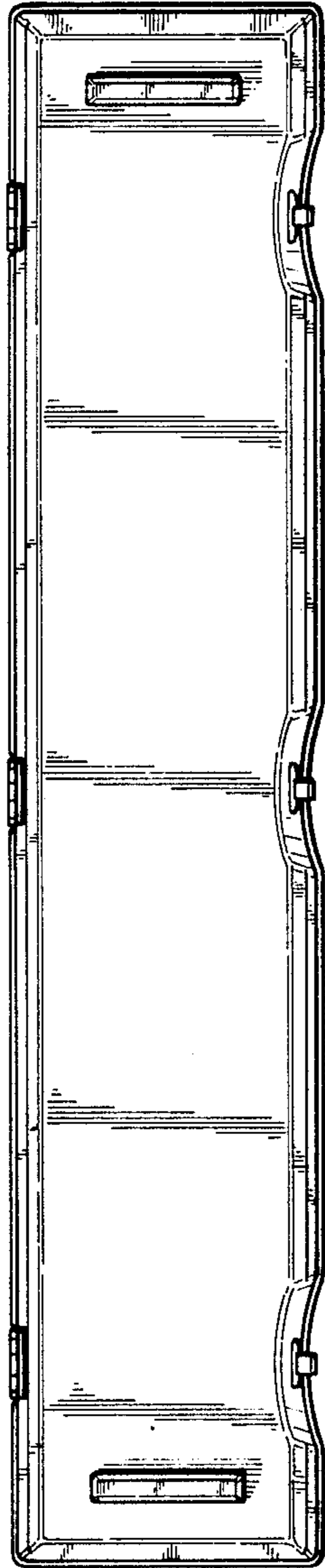


Fig. 6

