

[54] **VACUUM CLEANER**

[75] **Inventor: Stephen R. Burns, Duluth, Ga.**

[73] **Assignee: Ryobi Motor Products Corp.,
Pickens, S.C.**

[**] **Term: 14 Years**

[21] **Appl. No.: 85,930**

[22] **Filed: Aug. 17, 1987**

[52] **U.S. Cl. D32/22**

[58] **Field of Search D32/21-22,
D32/24, 32-34; 15/320-322, 328-329, 333,
338, 344, 347, 349-351, 353, 410, 412, 414, 415
R, 415 A, 418-422**

[56] **References Cited**

U.S. PATENT DOCUMENTS

| | | | |
|------------|--------|---------------------|--------|
| D. 275,428 | 9/1984 | Wareham | D32/22 |
| D. 293,727 | 1/1988 | Wareham et al. | D32/22 |
| D. 293,728 | 1/1988 | Ohhira et al. | D32/22 |
| 3,938,216 | 2/1976 | Schmitz et al. | D32/22 |
| 4,662,026 | 5/1987 | Sumerau et al. | 15/344 |

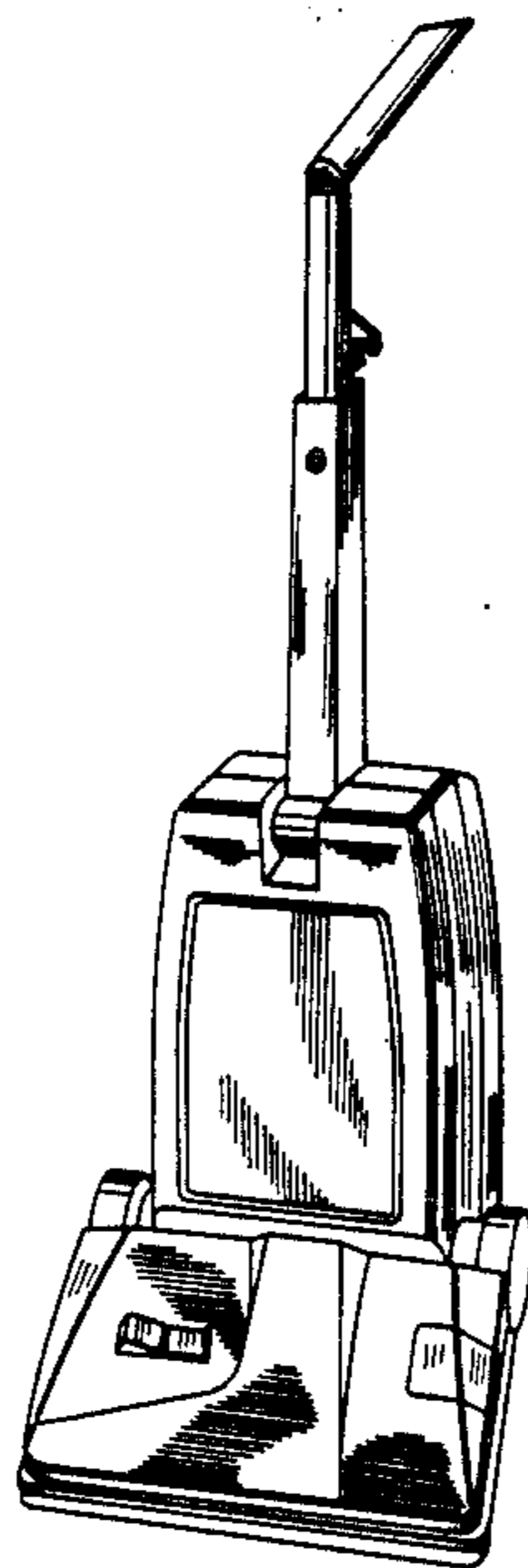
*Primary Examiner—A. Hugo Word
Assistant Examiner—Ruth McInroy
Attorney, Agent, or Firm—David L. Davis*

[57] **CLAIM**

The ornamental design for a vacuum cleaner, as shown and described.

DESCRIPTION

FIG. 1 is a top plan view of a vacuum cleaner showing my new design in a closed position;
FIG. 2 is a left side elevational view thereof;
FIG. 3 is a right side elevational view thereof;
FIG. 4 is a bottom plan view thereof;
FIG. 5 is a front elevational view thereof;
FIG. 6 is a rear elevational view thereof;
FIG. 7 is a top plan view thereof in an open position;
FIG. 8 is a front elevational view thereof;
FIG. 9 is a rear elevational view thereof;
FIG. 10 is a left side elevational view thereof; and
FIG. 11 is a perspective view of a second embodiment thereof in an open position, the only difference residing in the addition of the door on the front, right side.



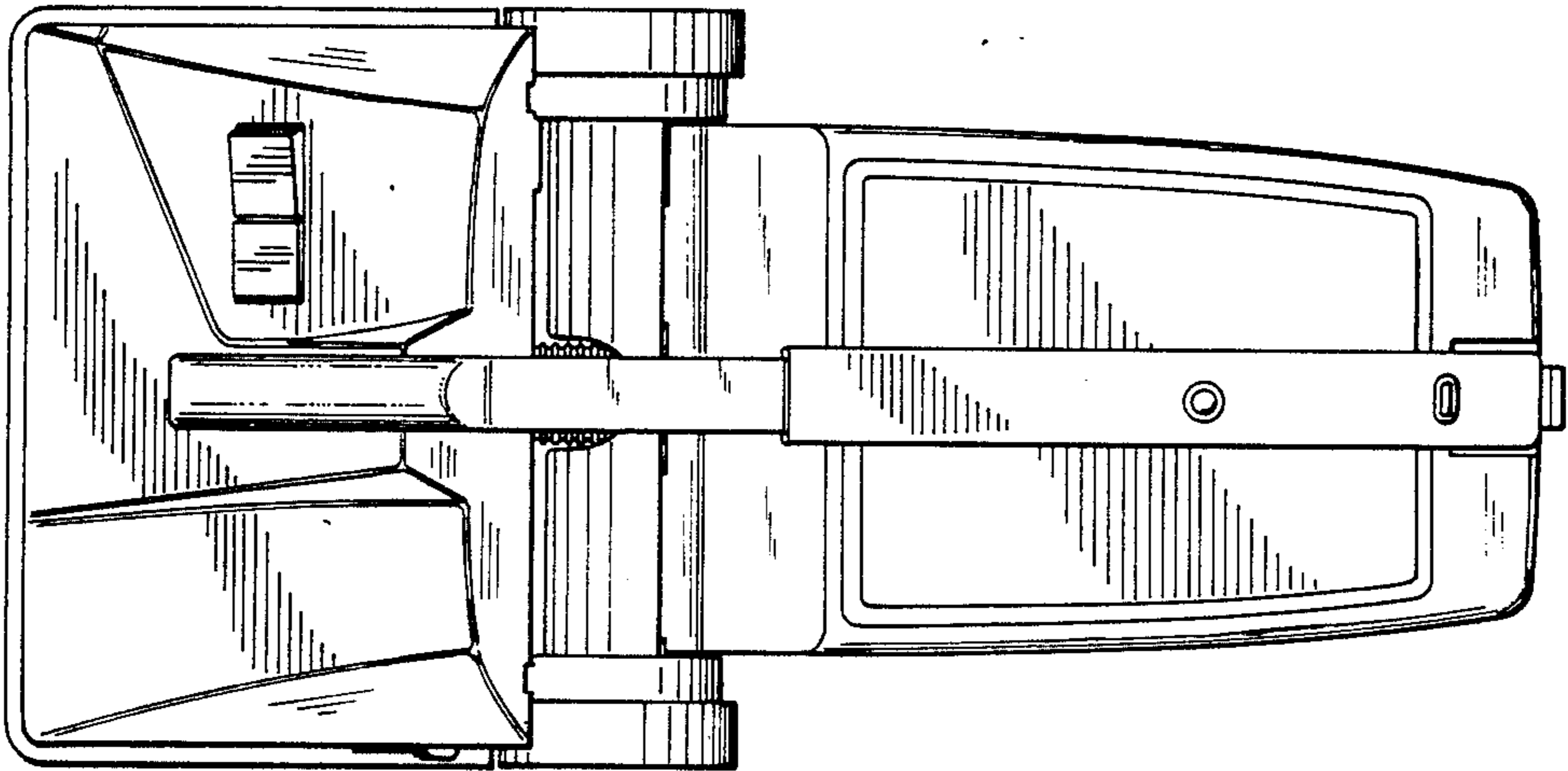


Fig. 1

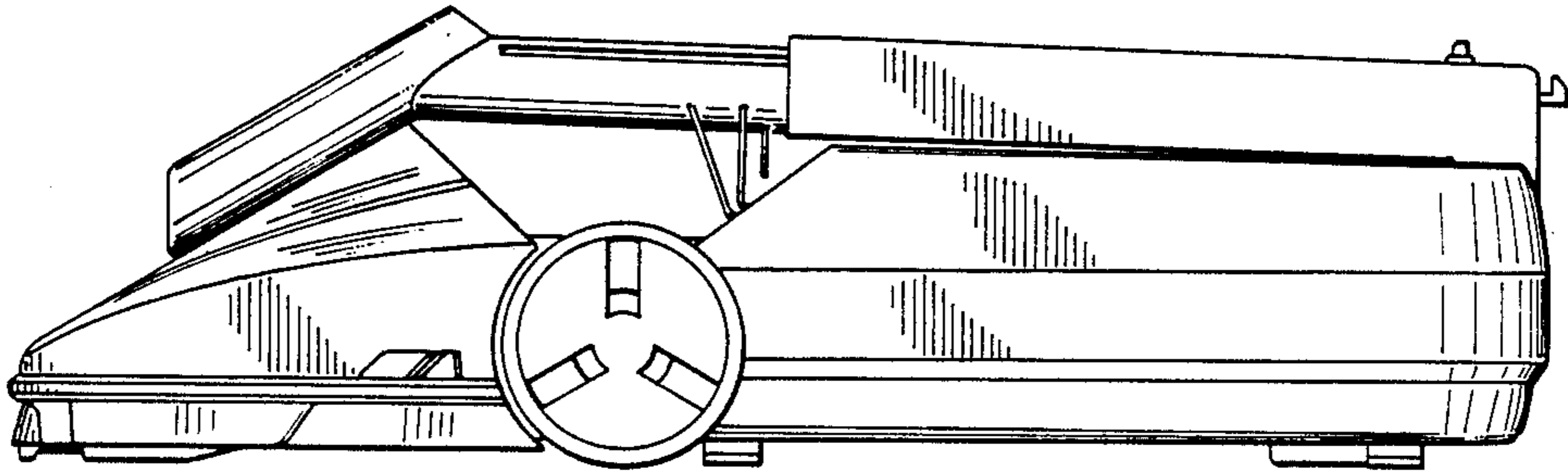


Fig. 2

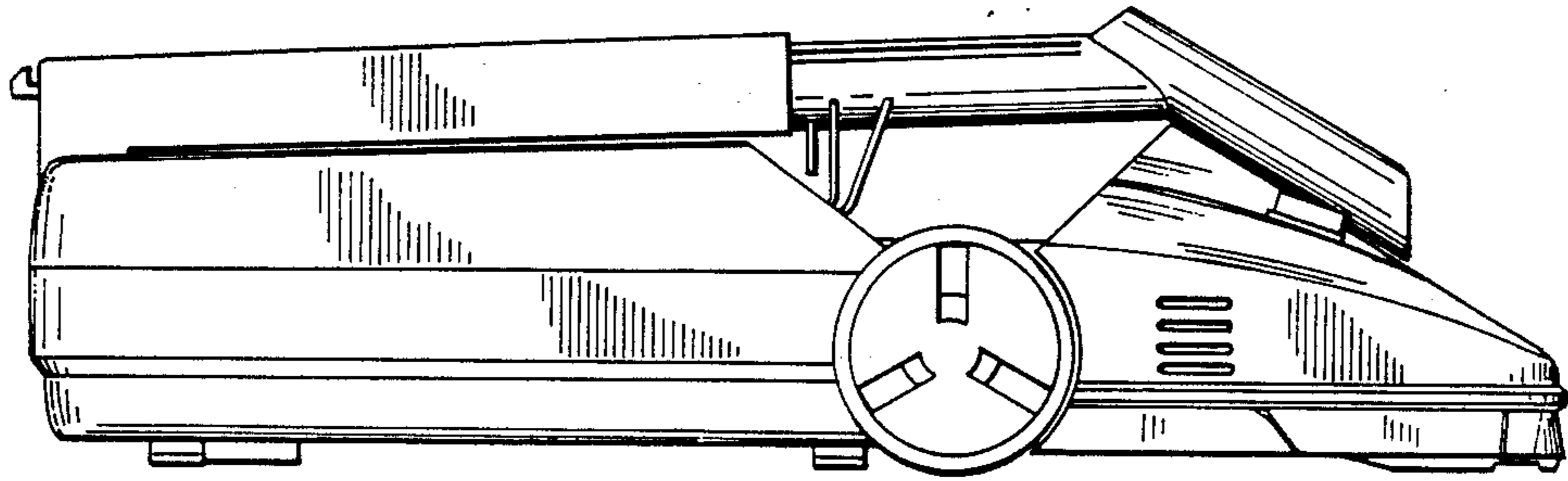


Fig. 3

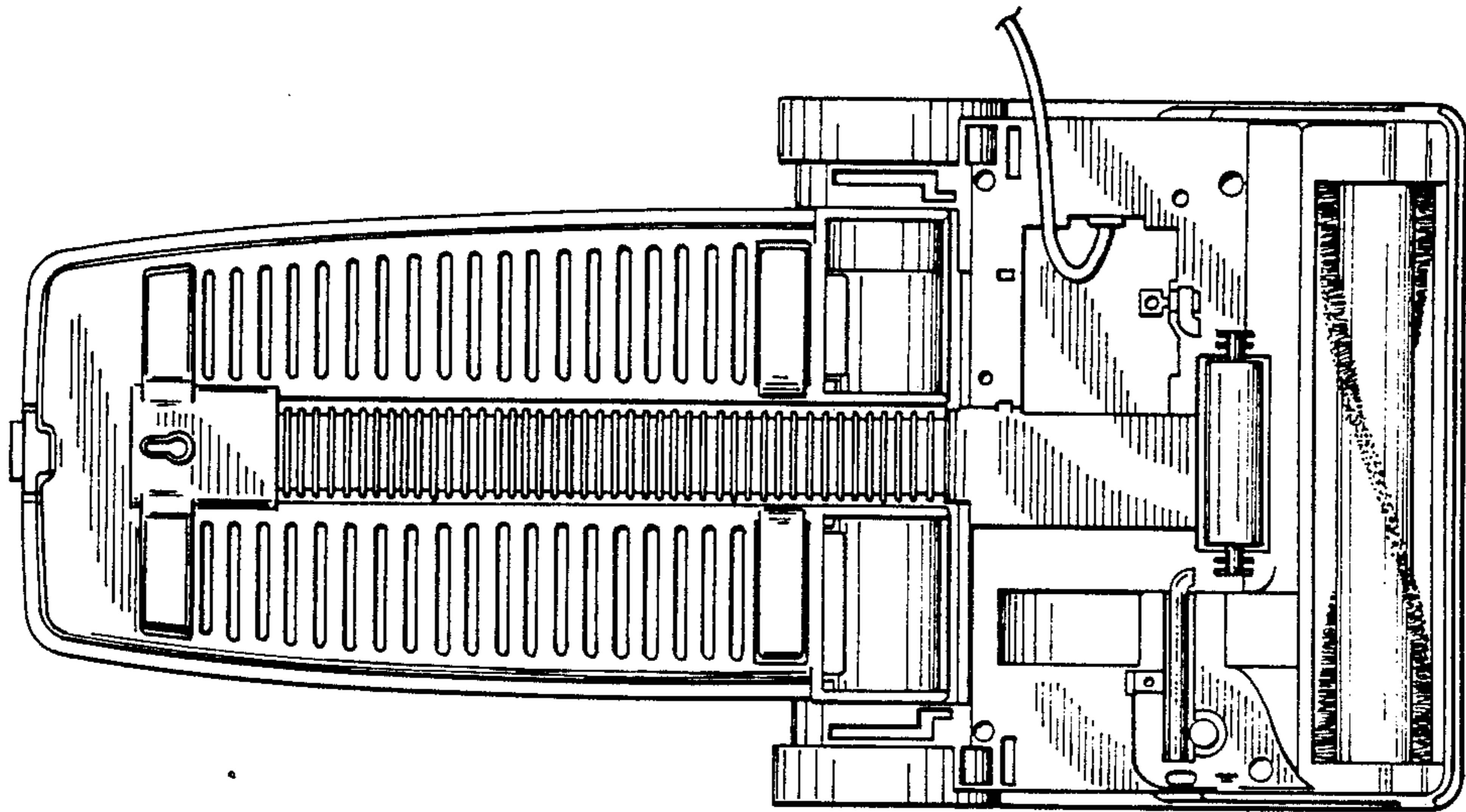


Fig. 4

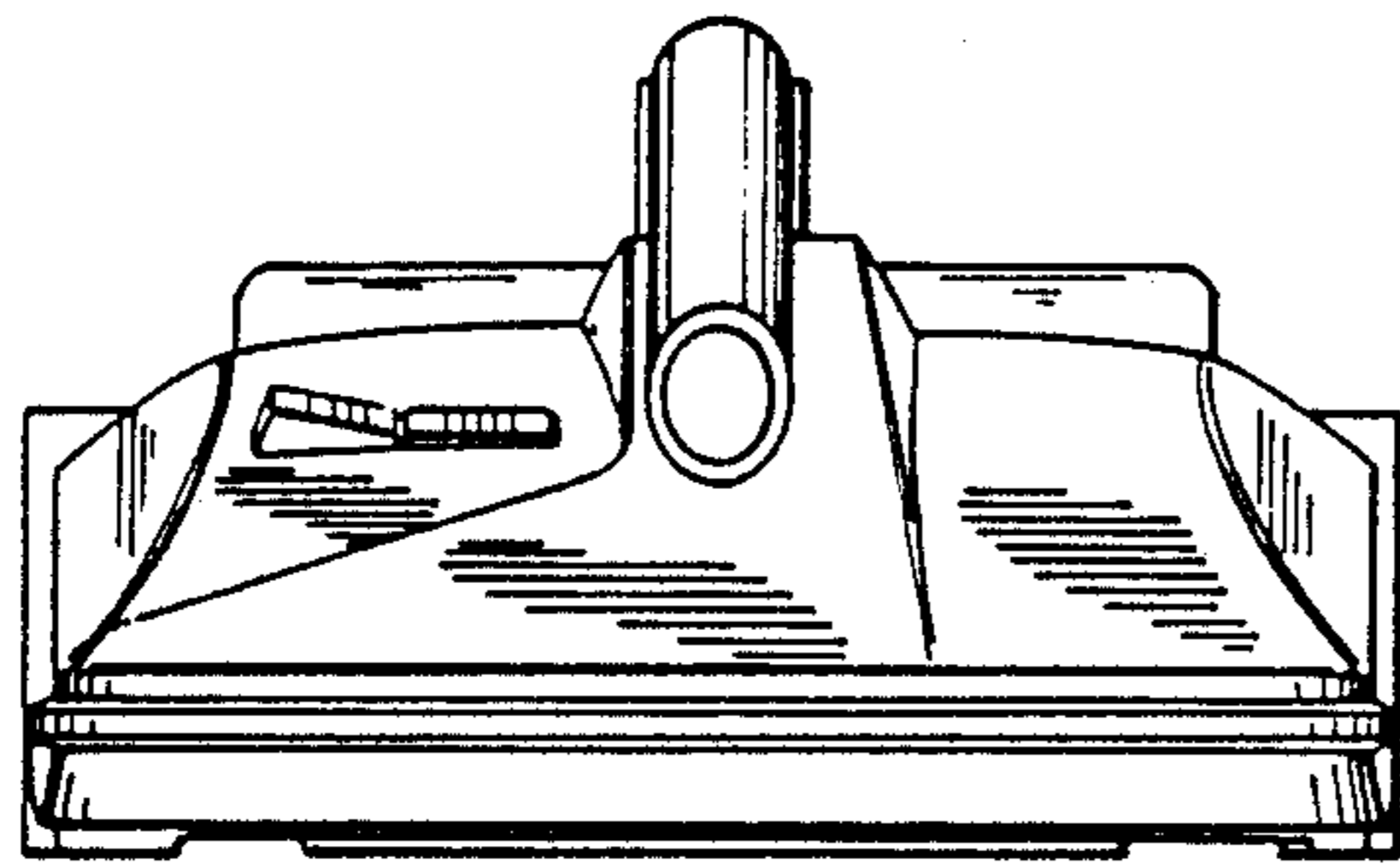


Fig. 5

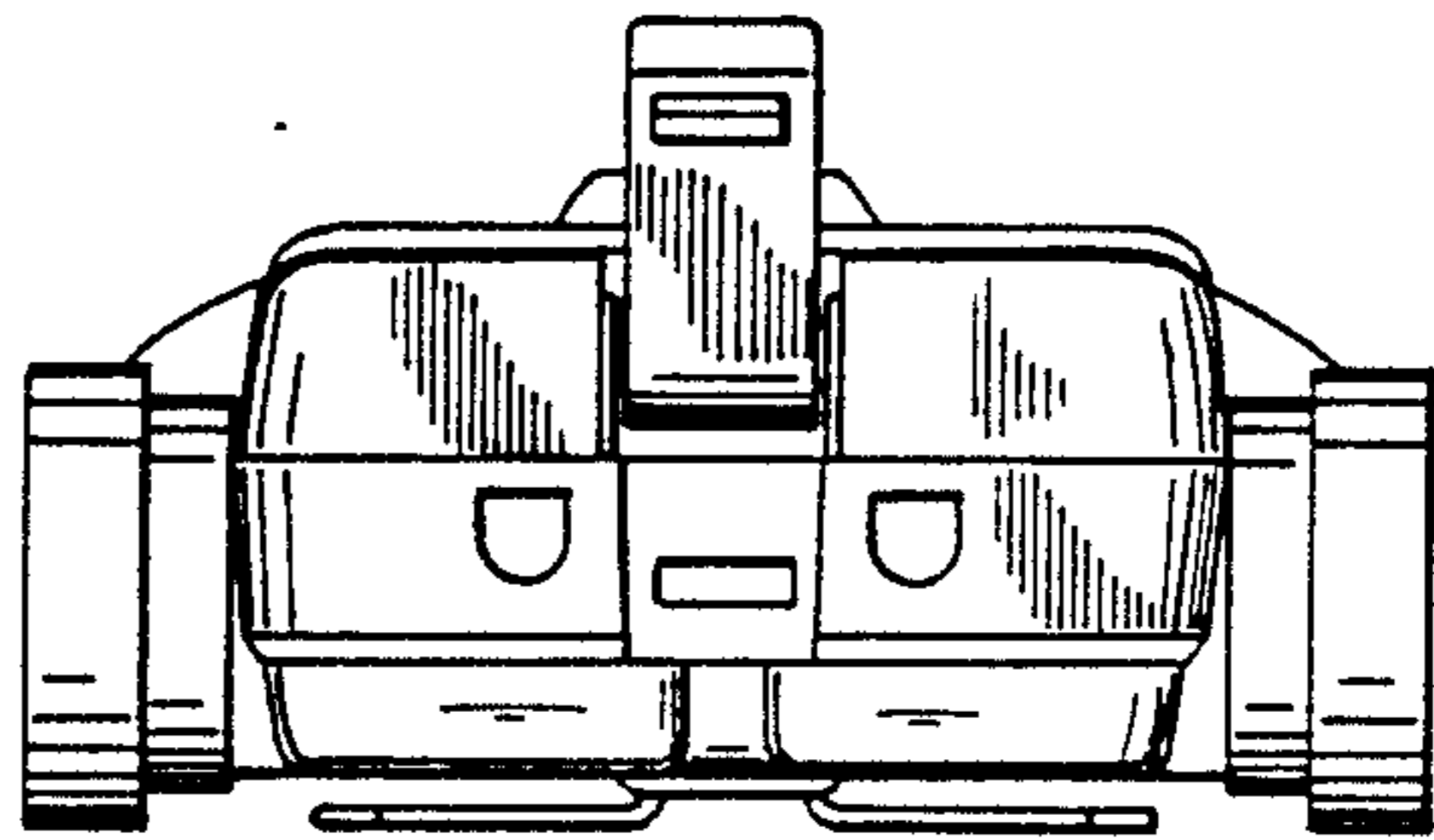


Fig. 6

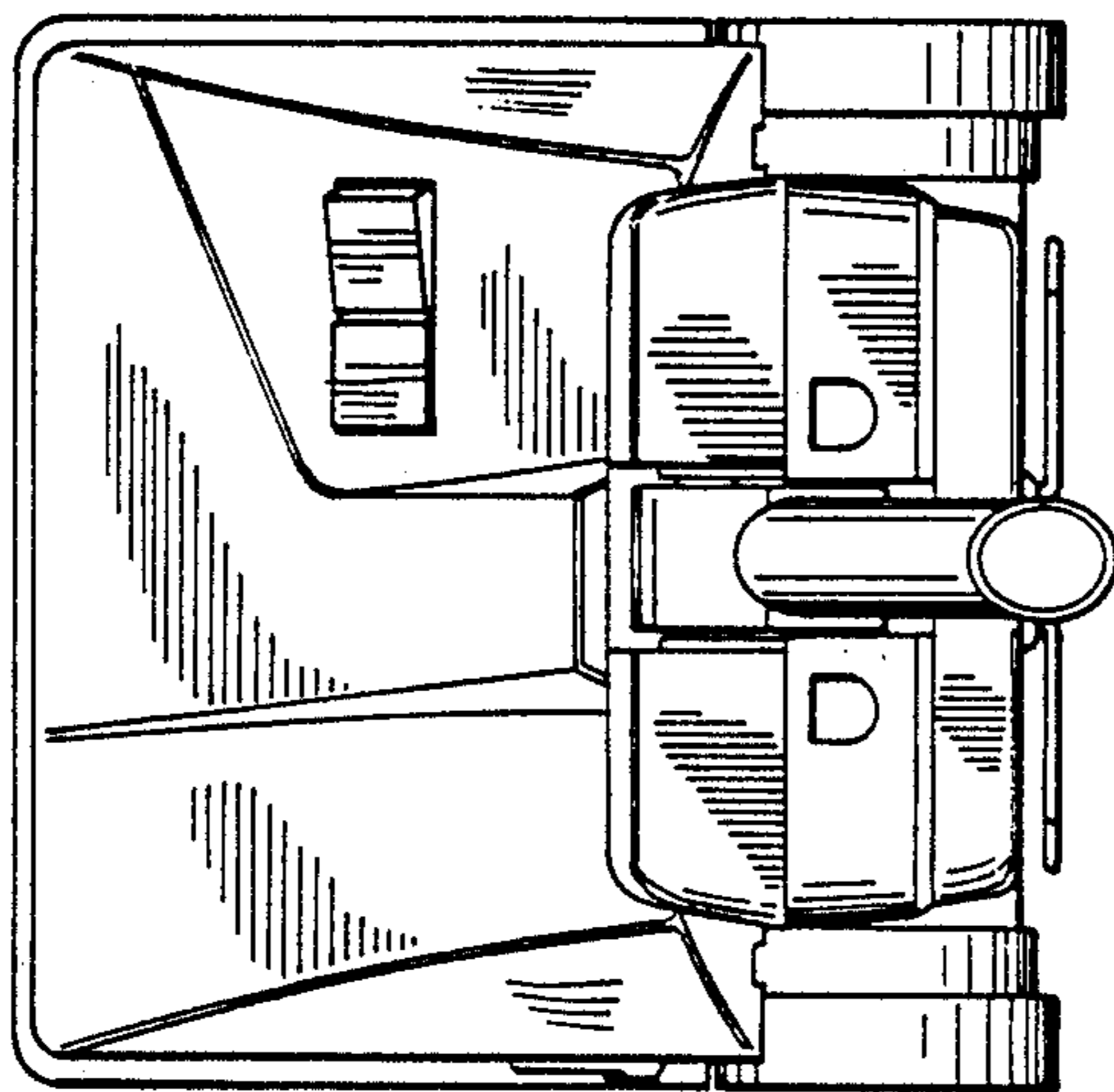


Fig. 7

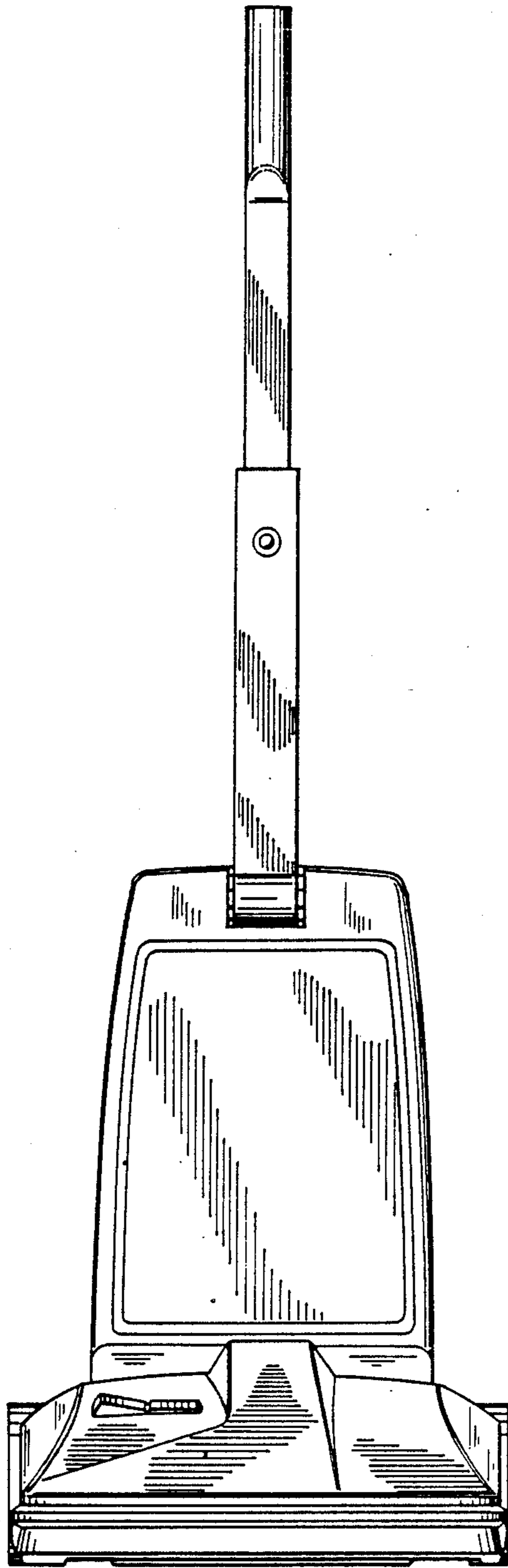


Fig. 8

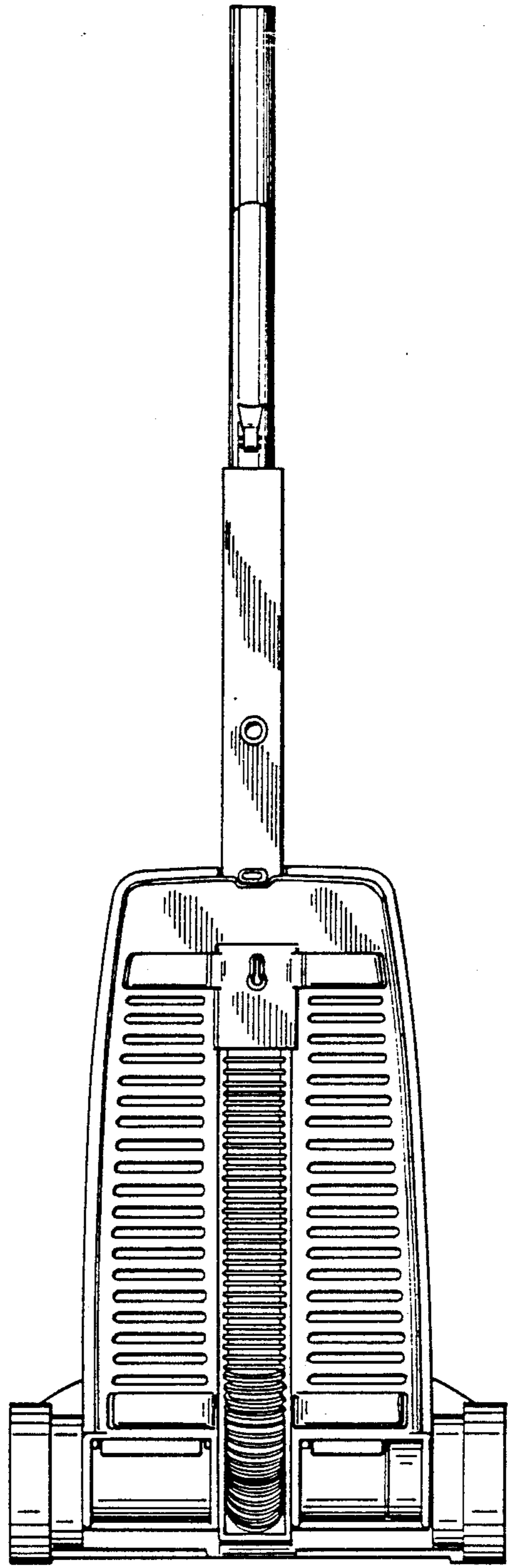


Fig. 9

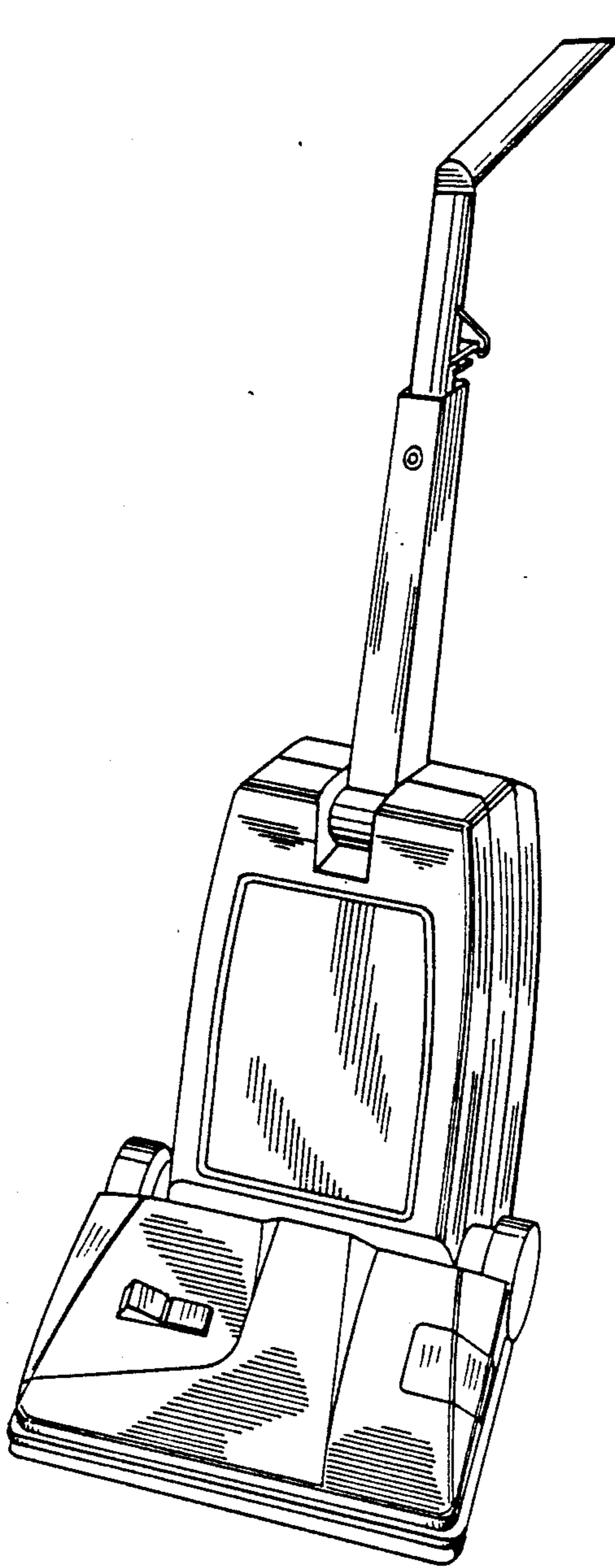


Fig. 11

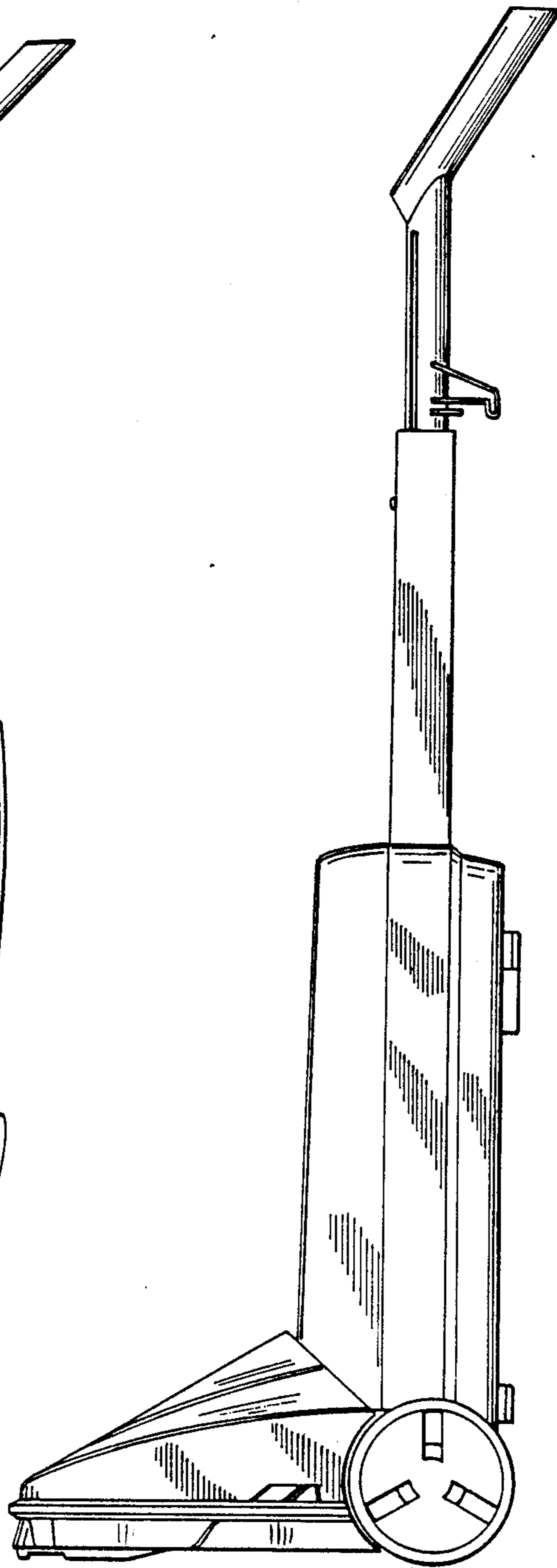


Fig. 10