

[54] COMBINED PORTABLE POWER VACUUM AND BLOWER

[75] Inventors: Martin P. Gierke; Robert P. Straub, both of Baltimore, Md.

[73] Assignee: Black & Decker Inc., Newark, Del.

[\*\*] Term: 14 Years

[21] Appl. No.: 118,835

[22] Filed: Nov. 9, 1987

[52] U.S. Cl. .... D32/15

[58] Field of Search ..... D32/1, 15-18, D32/25, 32; D23/383, 393; 15/404-405, 344, 414, 415 R, 415 A, 420, 330-331, 337, 335; 417/234, 423.2, 236

[56] References Cited

U.S. PATENT DOCUMENTS

D. 263,547	3/1982	Carsello	.....	D32/15
D. 271,715	12/1983	Kiyooka	.....	D32/15
D. 276,662	12/1984	Zerrer et al.	.....	D32/15
D. 279,319	6/1985	McCloskey et al.	.....	D32/15
D. 299,571	1/1989	Kiyooka et al.	.....	D32/15
1,749,373	3/1930	Breuer	.	
2,598,499	5/1952	Breuer et al.	.....	299/65
4,070,771	1/1978	Yakiwchuck	.....	37/53
4,132,507	1/1979	Akiyama et al.	.....	417/234
4,288,886	9/1981	Siegler	.....	15/330
4,404,706	9/1983	Loyd	.....	15/344

4,413,371	11/1983	Tuggle et al.	.....	15/405
4,674,146	6/1987	Tuggle	.....	15/330

OTHER PUBLICATIONS

Weed Eater Brochure, "Weed Eater Blowers".

Primary Examiner—A. Hugo Word

Assistant Examiner—Ruth McInroy

Attorney, Agent, or Firm—Charles E. Yocum; Dennis A. Dearing; John D. Del Ponti

[57] CLAIM

The ornamental design for a combined portable power vacuum and blower, as shown and described.

DESCRIPTION

FIG. 1 is a top, front and left side perspective view of a combined portable power vacuum and blower showing our new design;

FIG. 2 is a left side elevational view thereof;

FIG. 3 is a right side elevational view thereof;

FIG. 4 is a top plan view thereof;

FIG. 5 is a bottom plan view thereof;

FIG. 6 is a rear elevational view thereof;

FIG. 7 is a front elevational view thereof; and

FIG. 8 is a top, front and right side perspective view thereof.

The electric cord is shown broken away in FIGS. 1-5 for ease of illustration and is understood to represent indeterminate length.

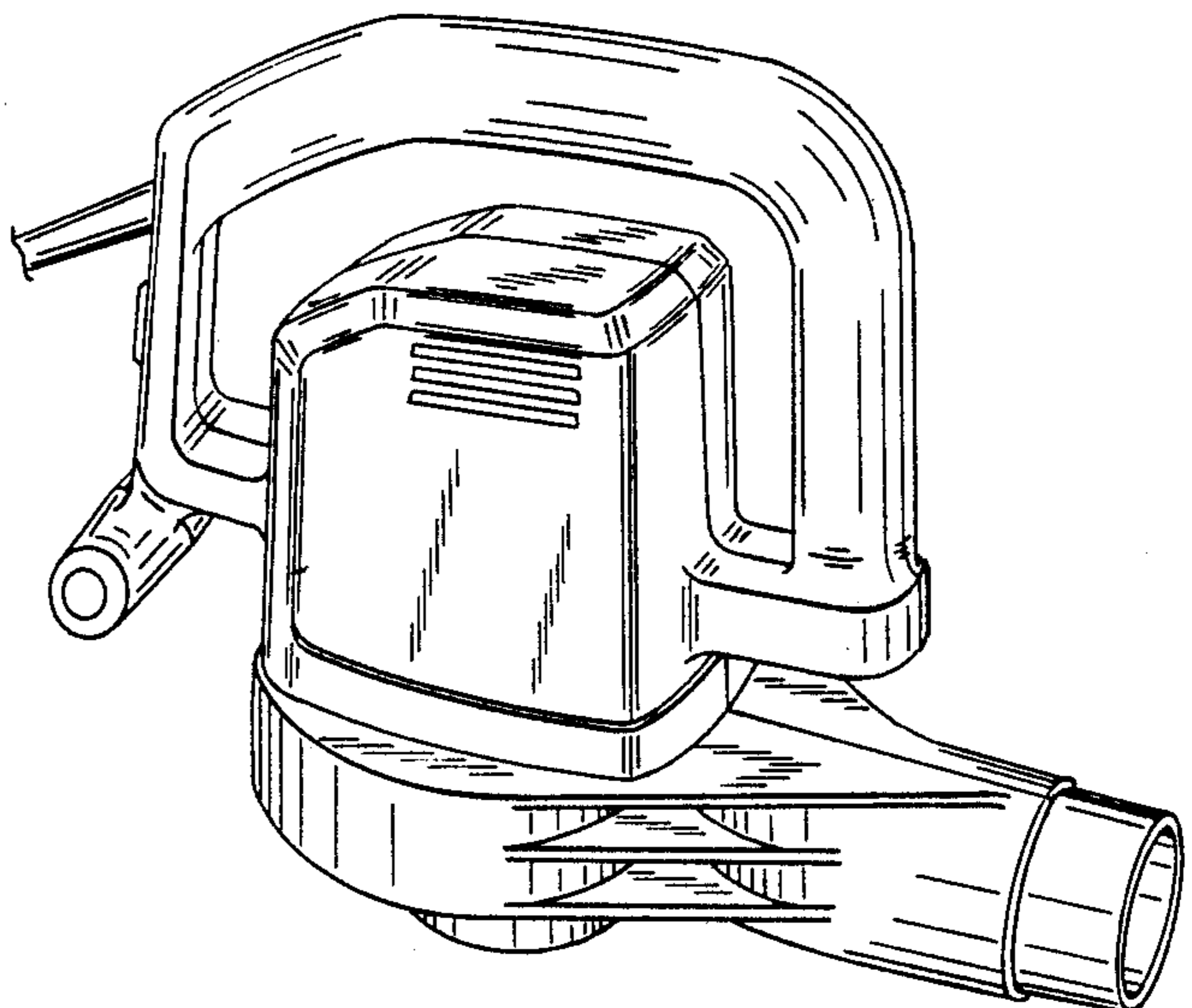
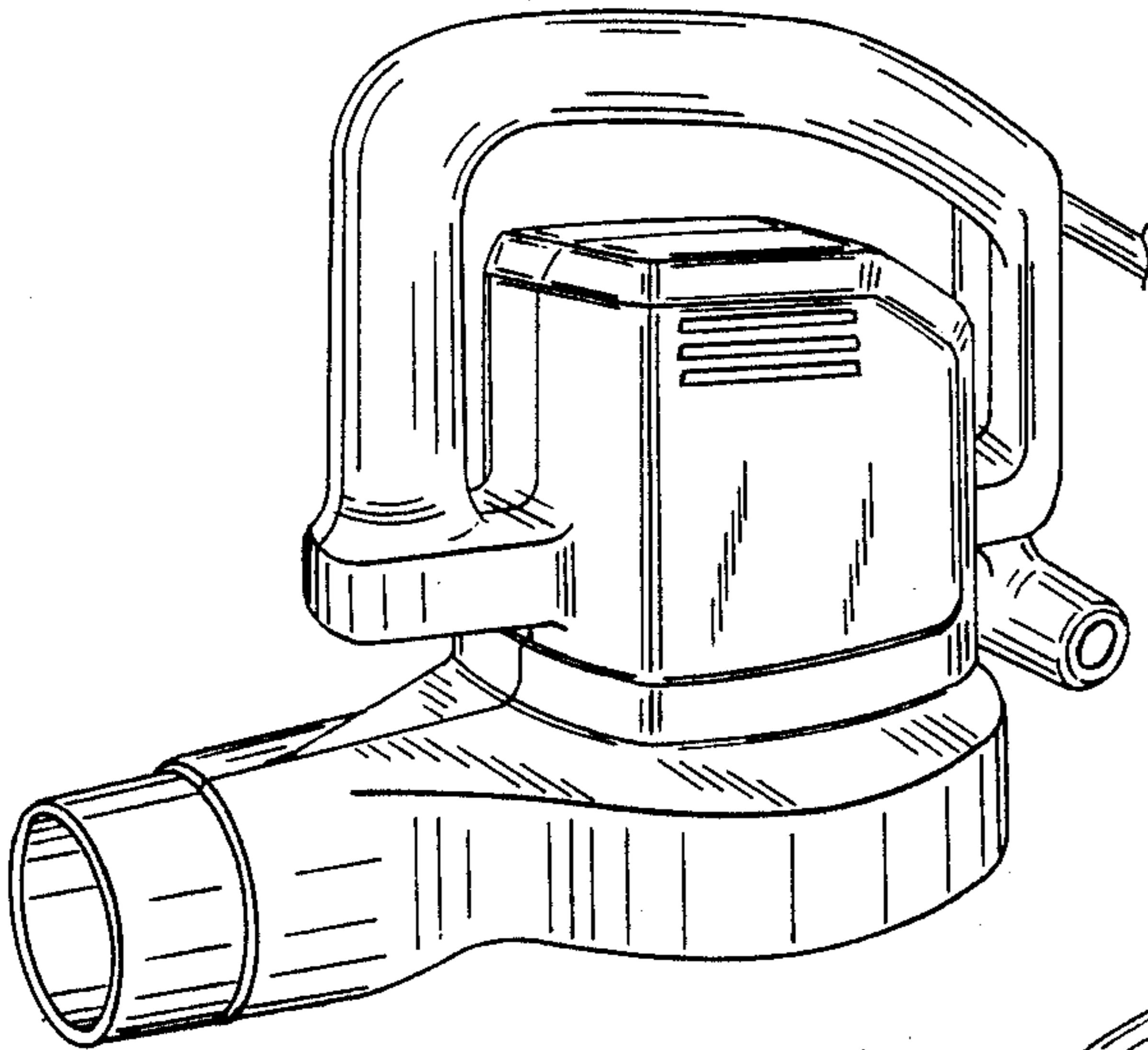


FIG. 1

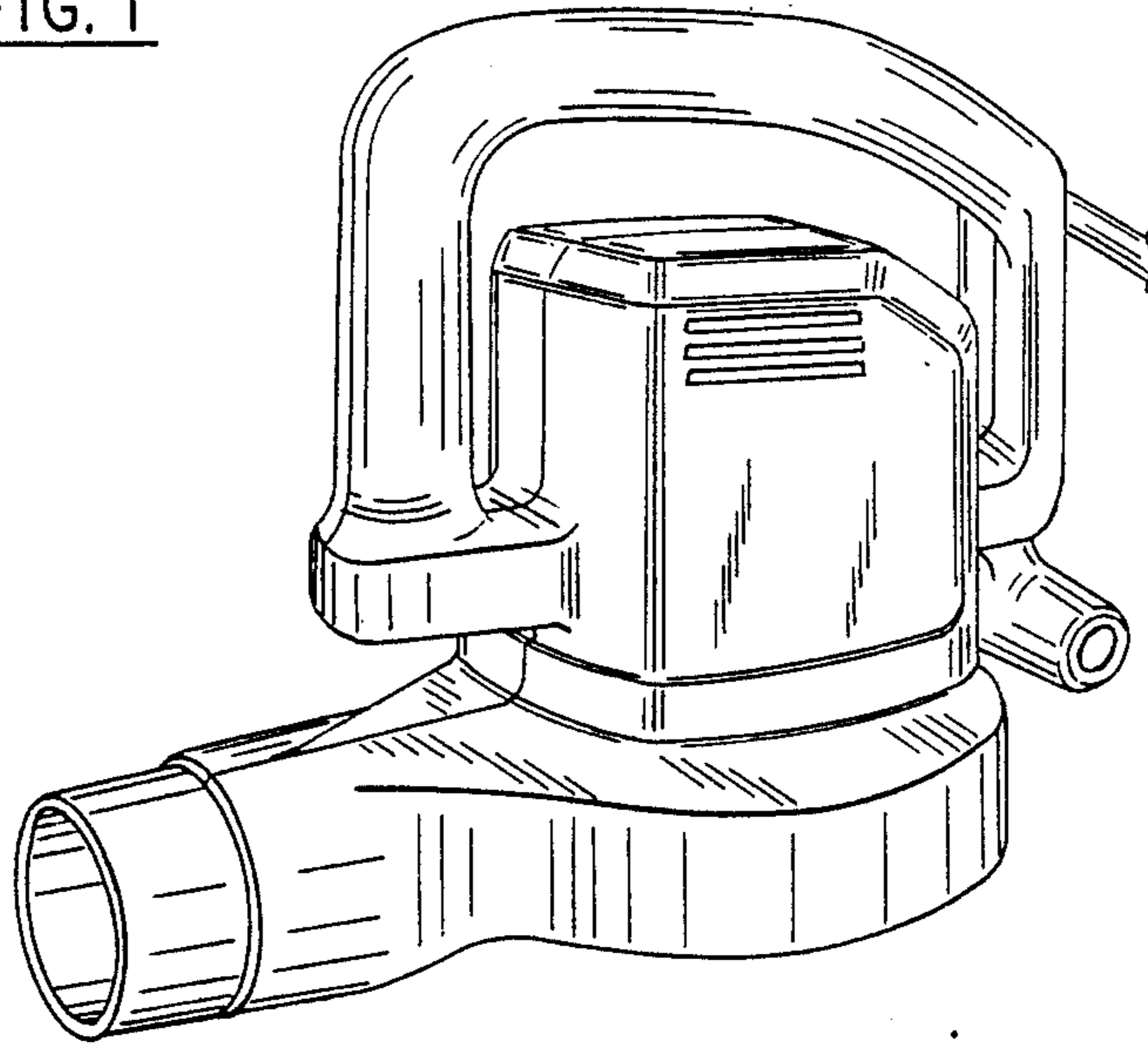


FIG. 2

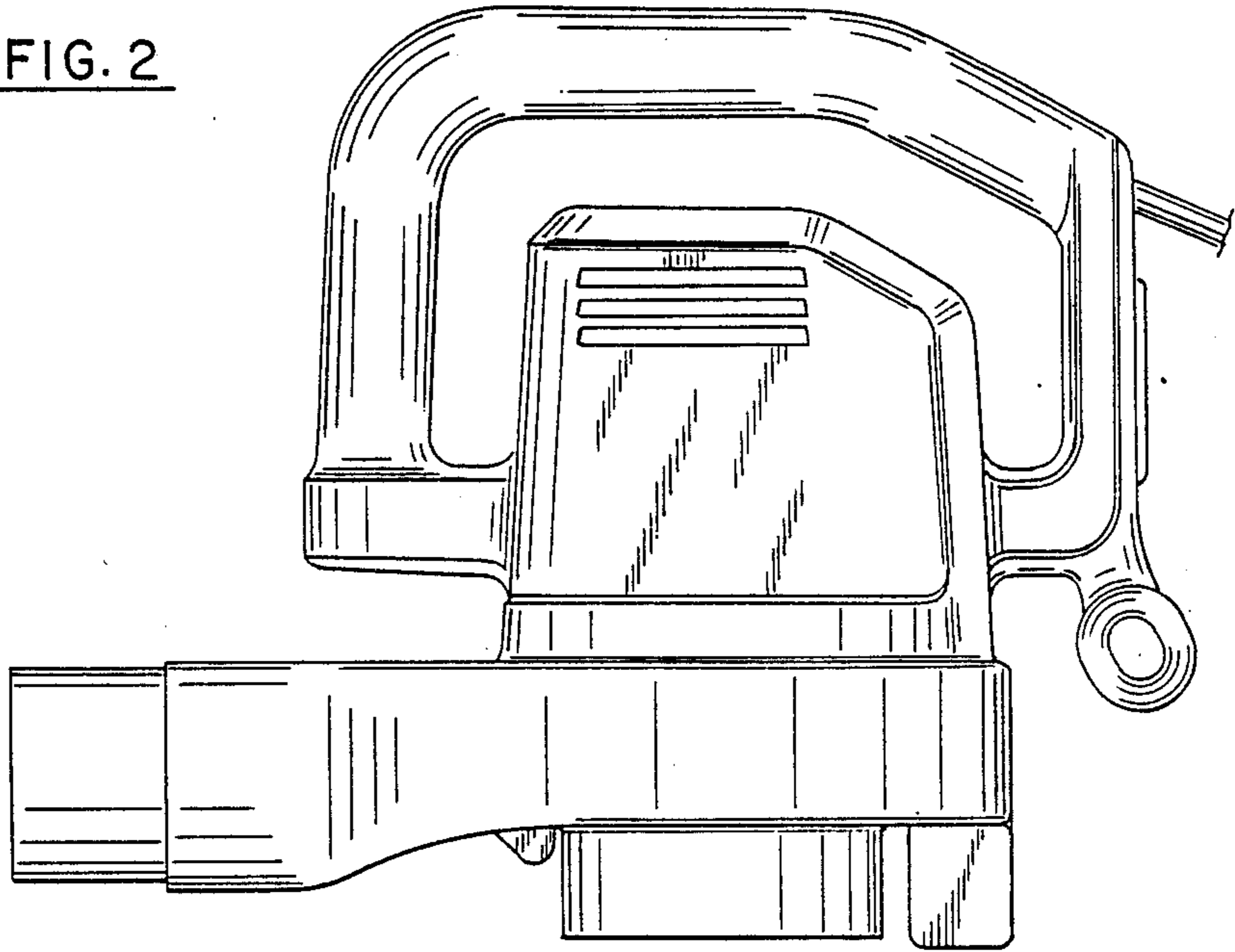


FIG. 3

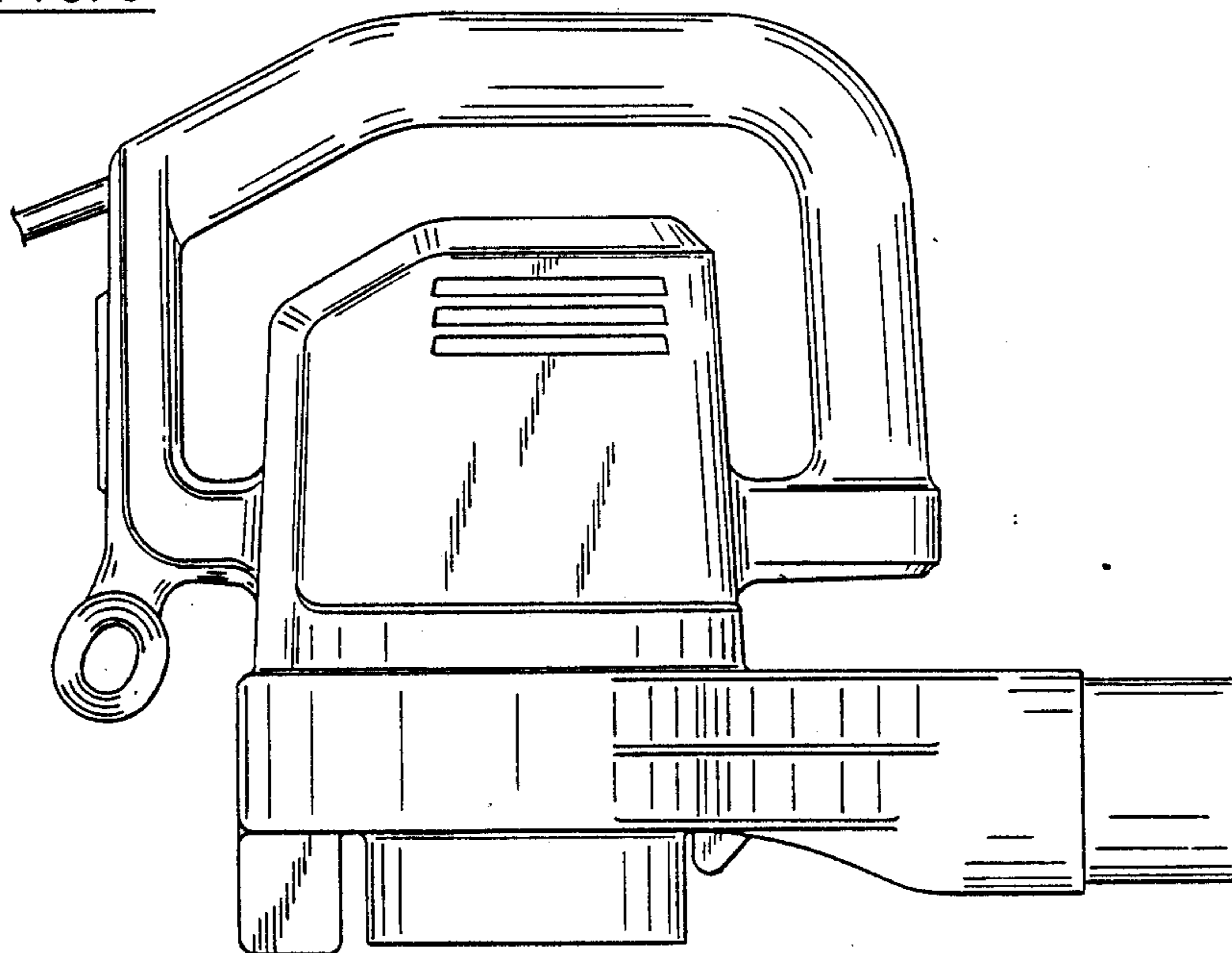


FIG. 4

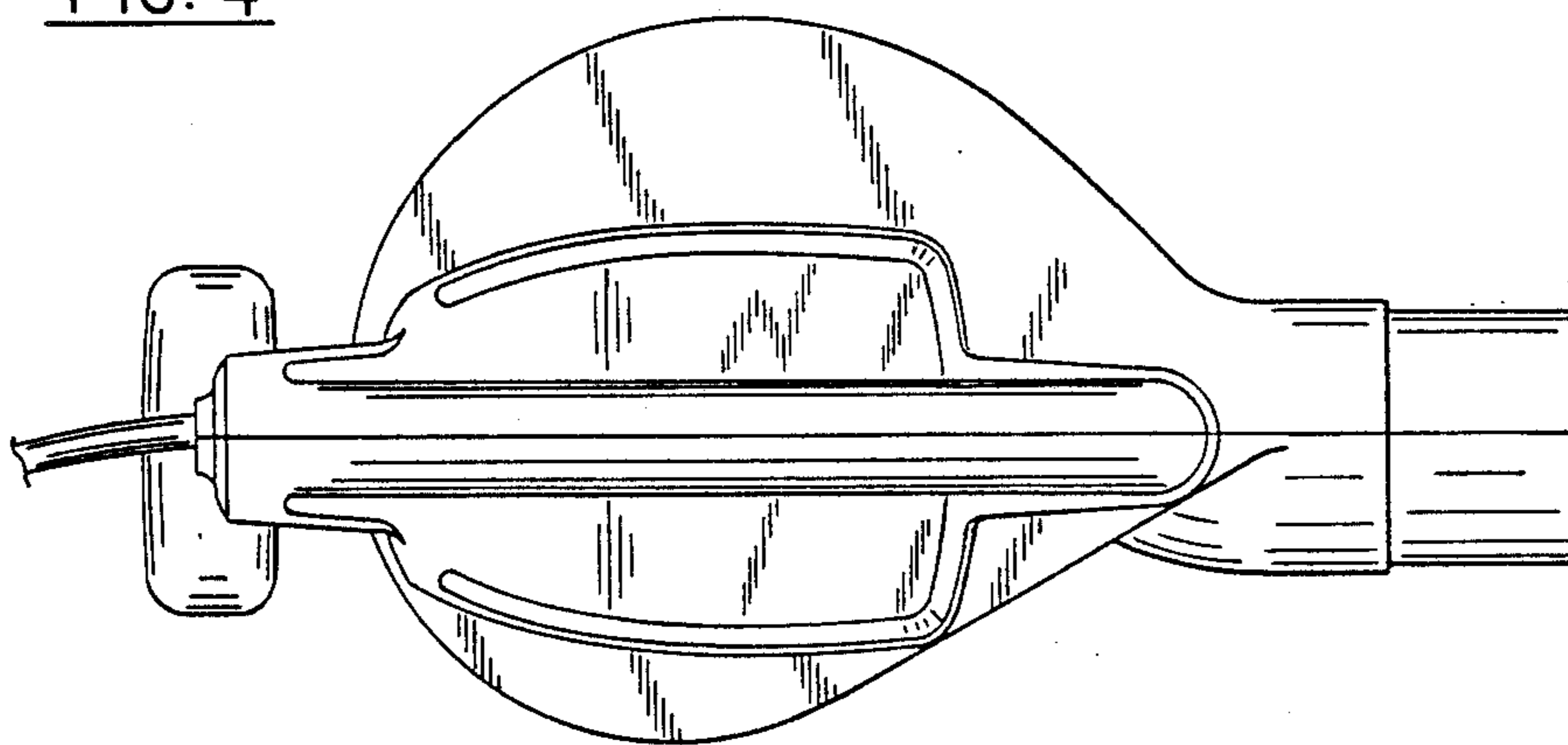


FIG. 5

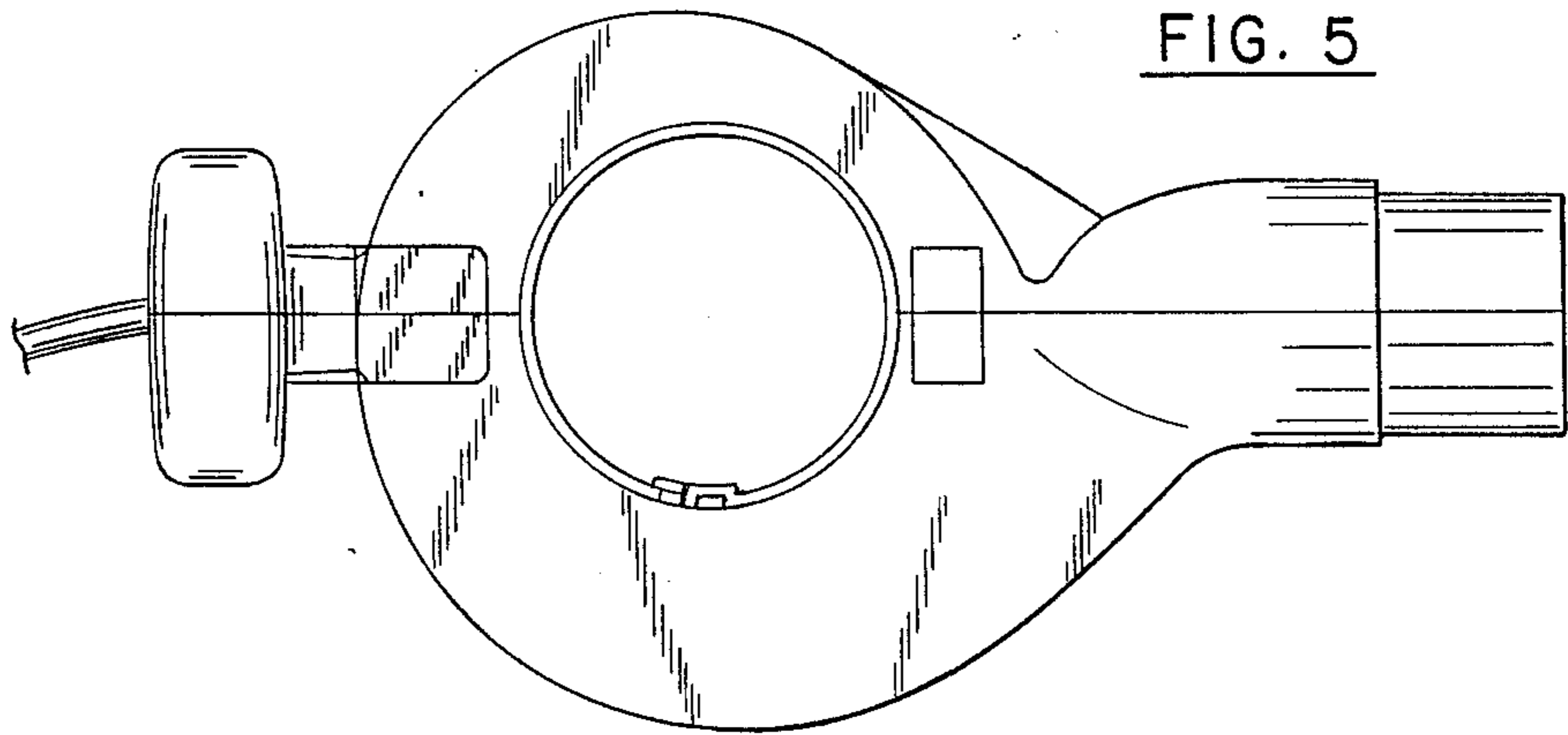


FIG. 6

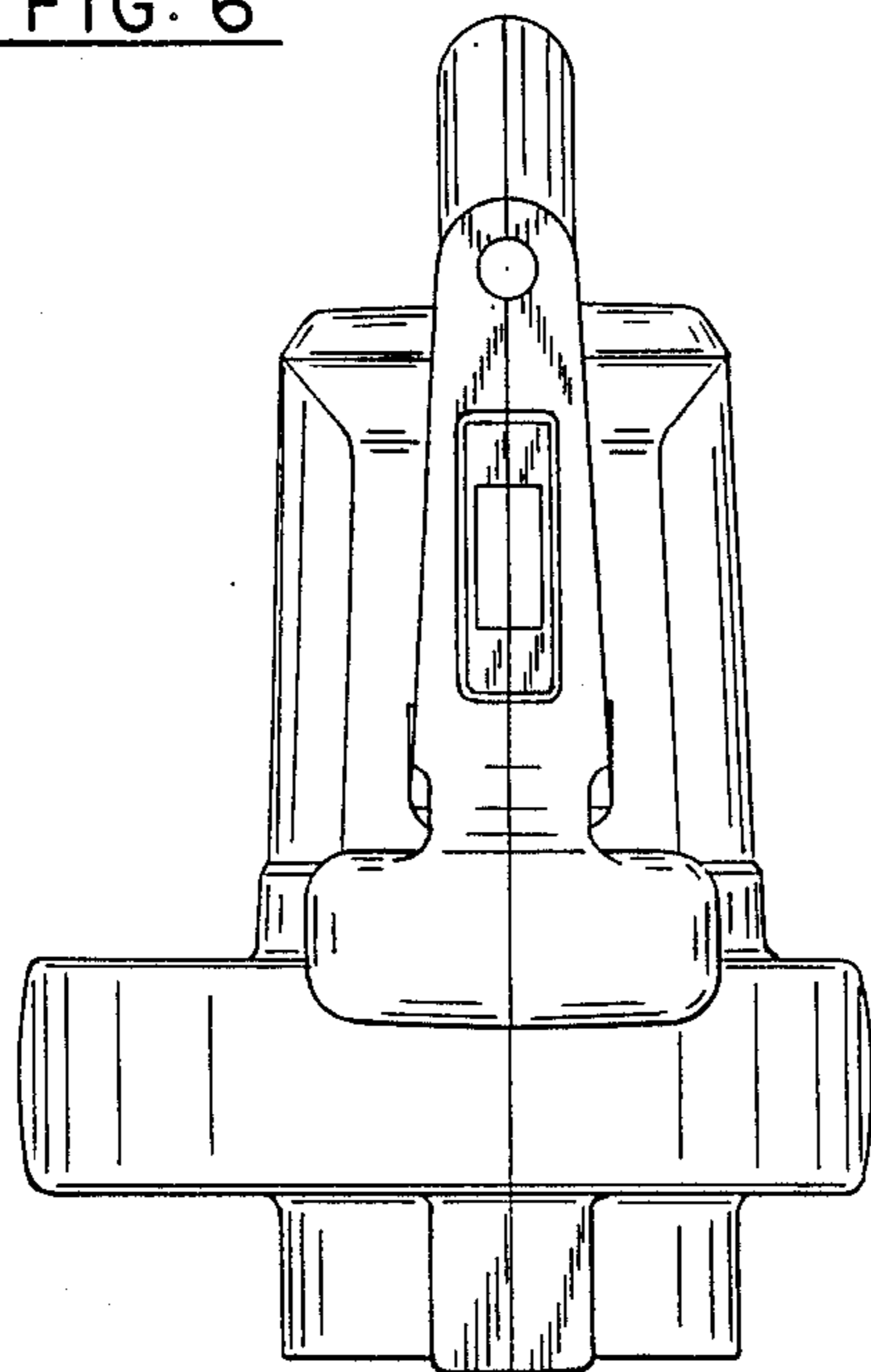


FIG. 7

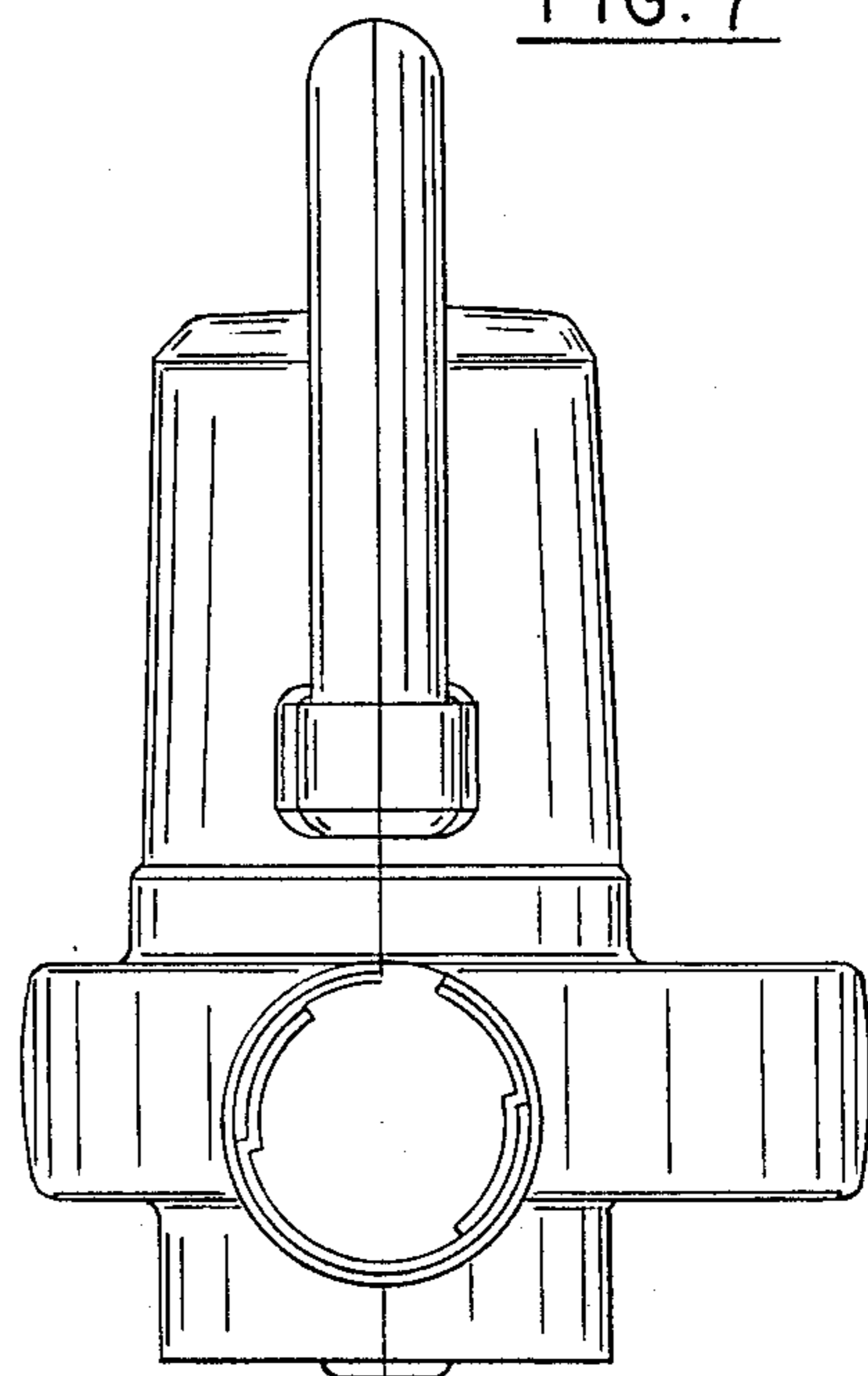


FIG. 8

