

[54] TRIPOD LANTERN SUPPORT

[76] Inventor: Earl T. Rook, HC67, Box 180, Ash Flat, Ark. 72513

[**] Term: 14 Years

[21] Appl. No.: 7,444

[22] Filed: Jan. 27, 1987

[52] U.S. Cl. D26/138

[58] Field of Search D26/138, 139, 140; 248/121, 156-159, 161, 165, 163.1, 163.2, 162.1, 167; 362/413, 418, 427, 190, 191

[56] References Cited

U.S. PATENT DOCUMENTS

D. 290,886	7/1987	Meoli et al.	D26/138
664,502	12/1900	Reardon	248/163.1
1,205,057	11/1916	Sulenski	248/165
3,779,497	12/1973	Webber	248/165
4,690,363	9/1987	Koves	248/163.1 X

FOREIGN PATENT DOCUMENTS

1363572	8/1974	United Kingdom	248/165
---------	--------	----------------------	---------

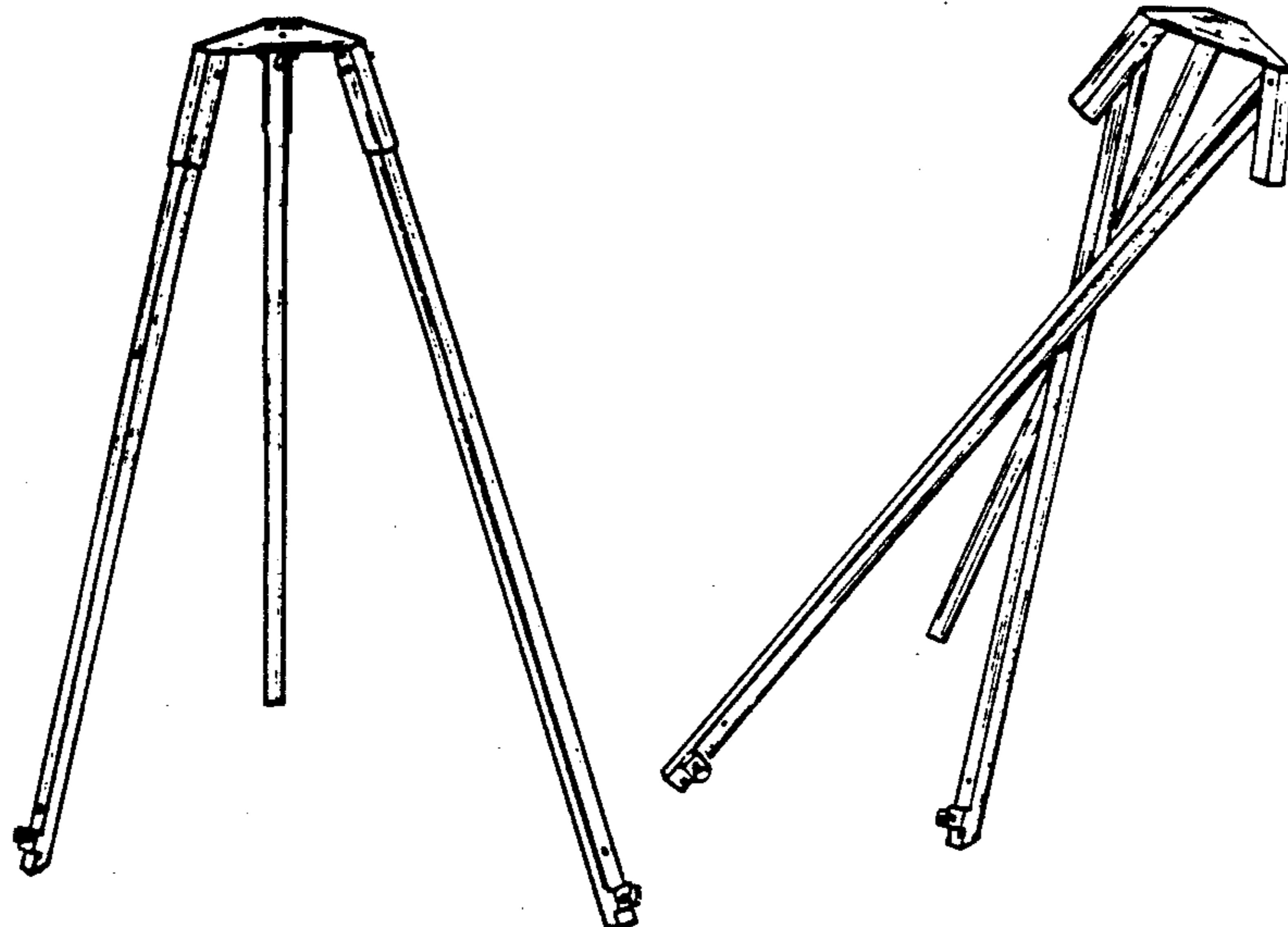
Primary Examiner—Susan J. Lucas
Attorney, Agent, or Firm—Stephen D. Carver

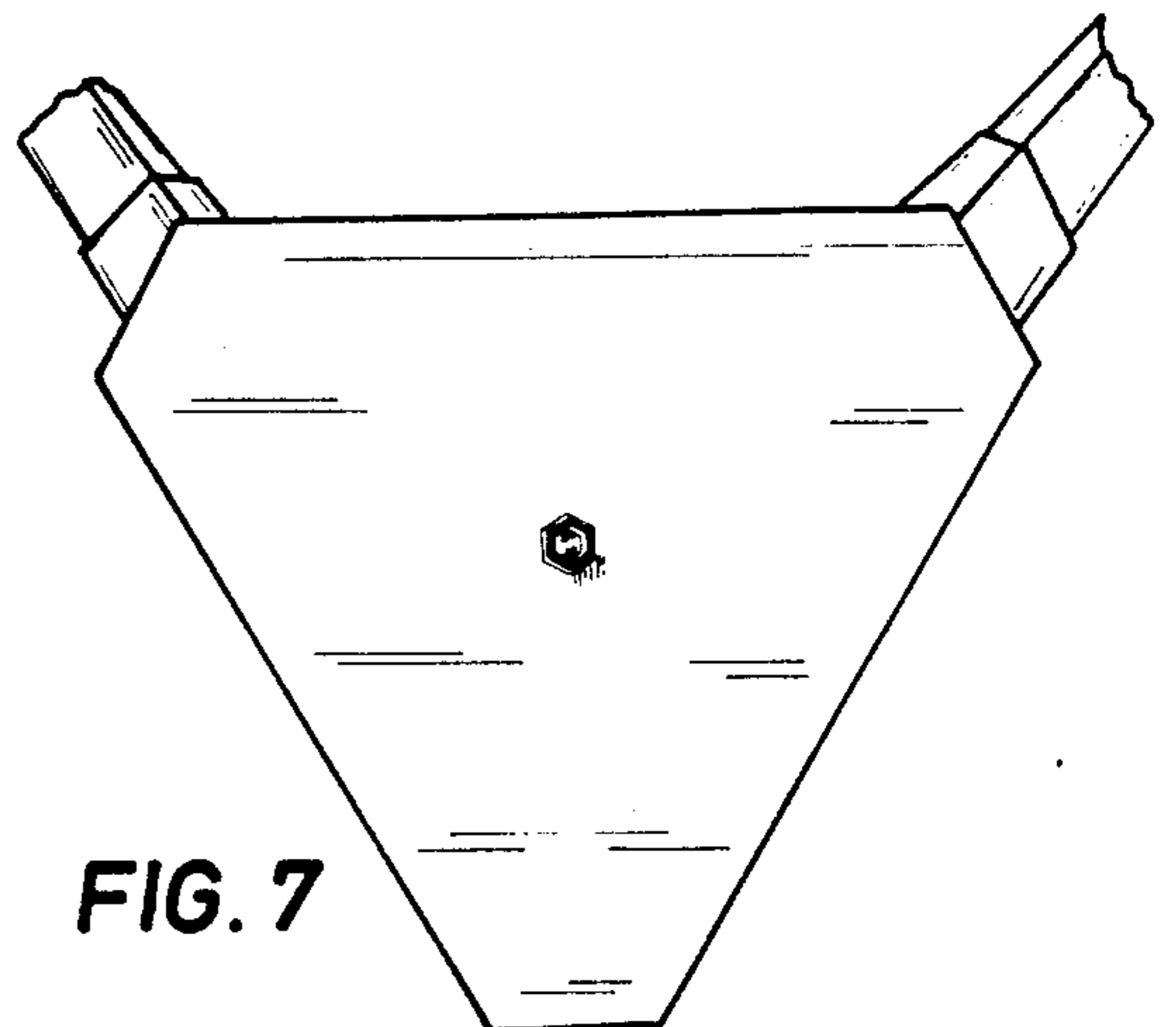
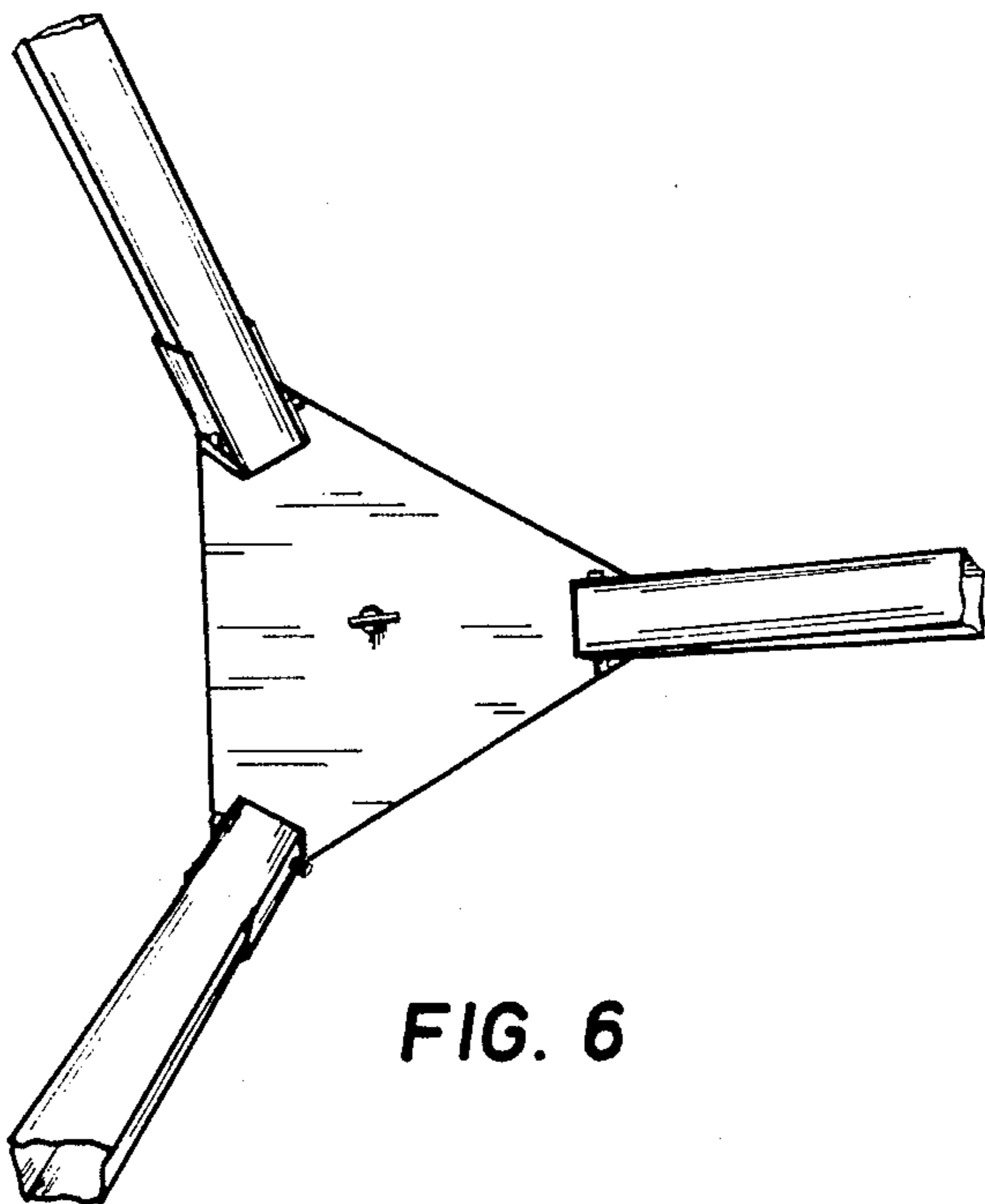
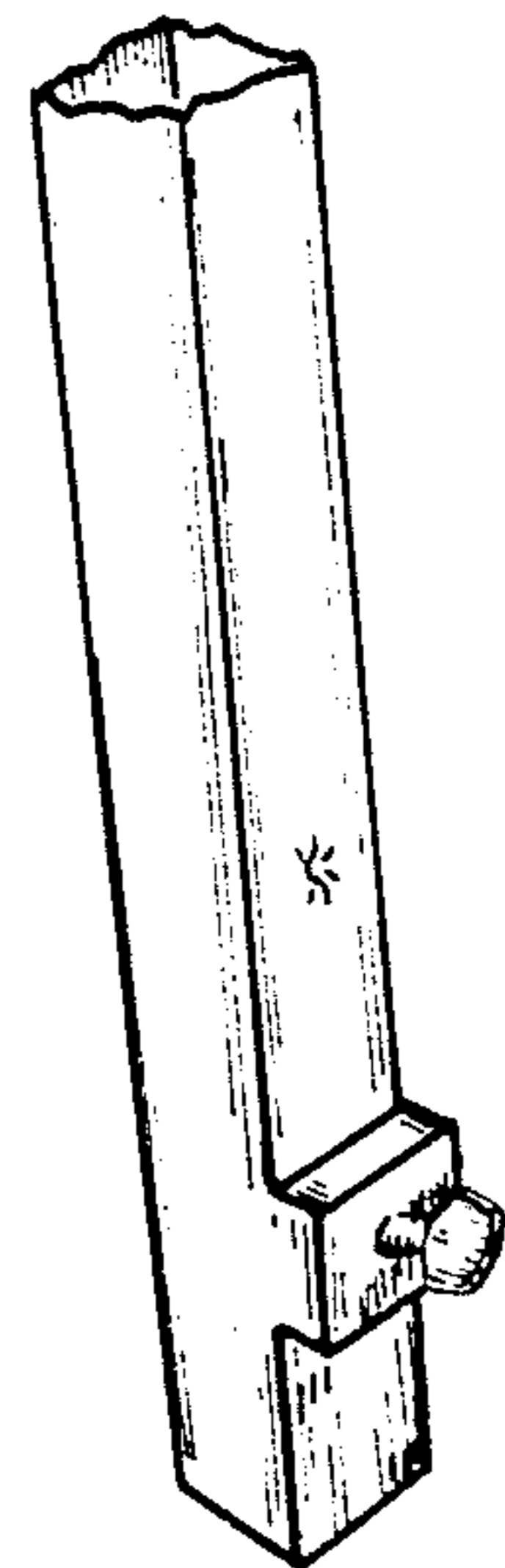
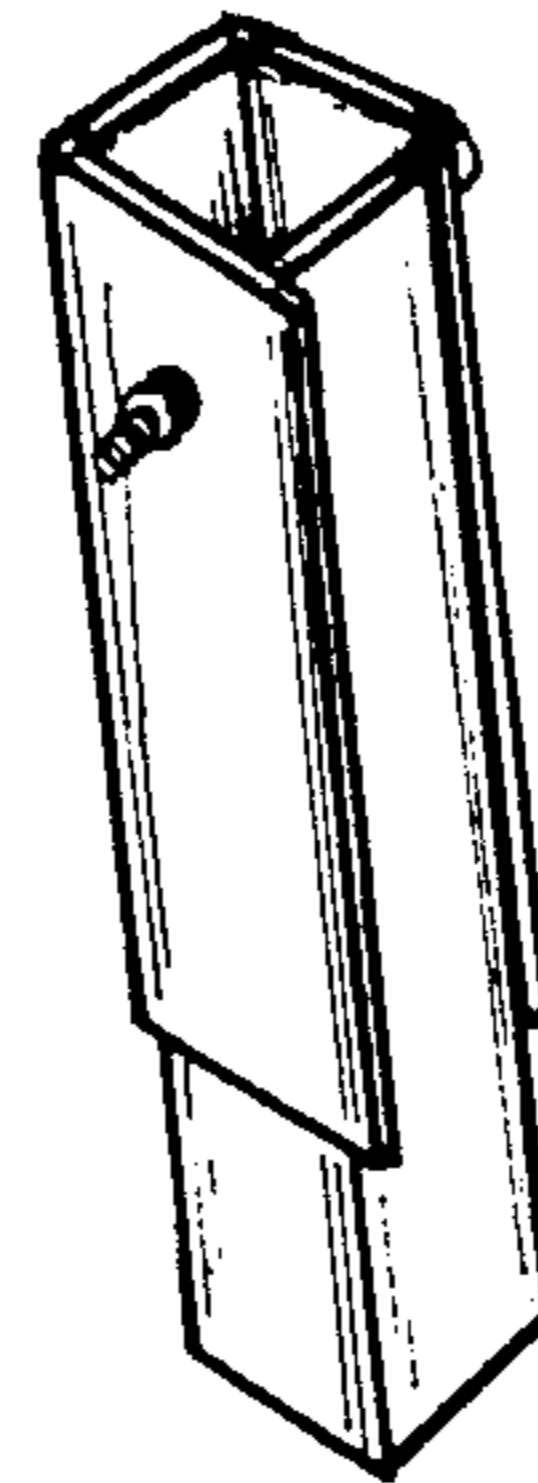
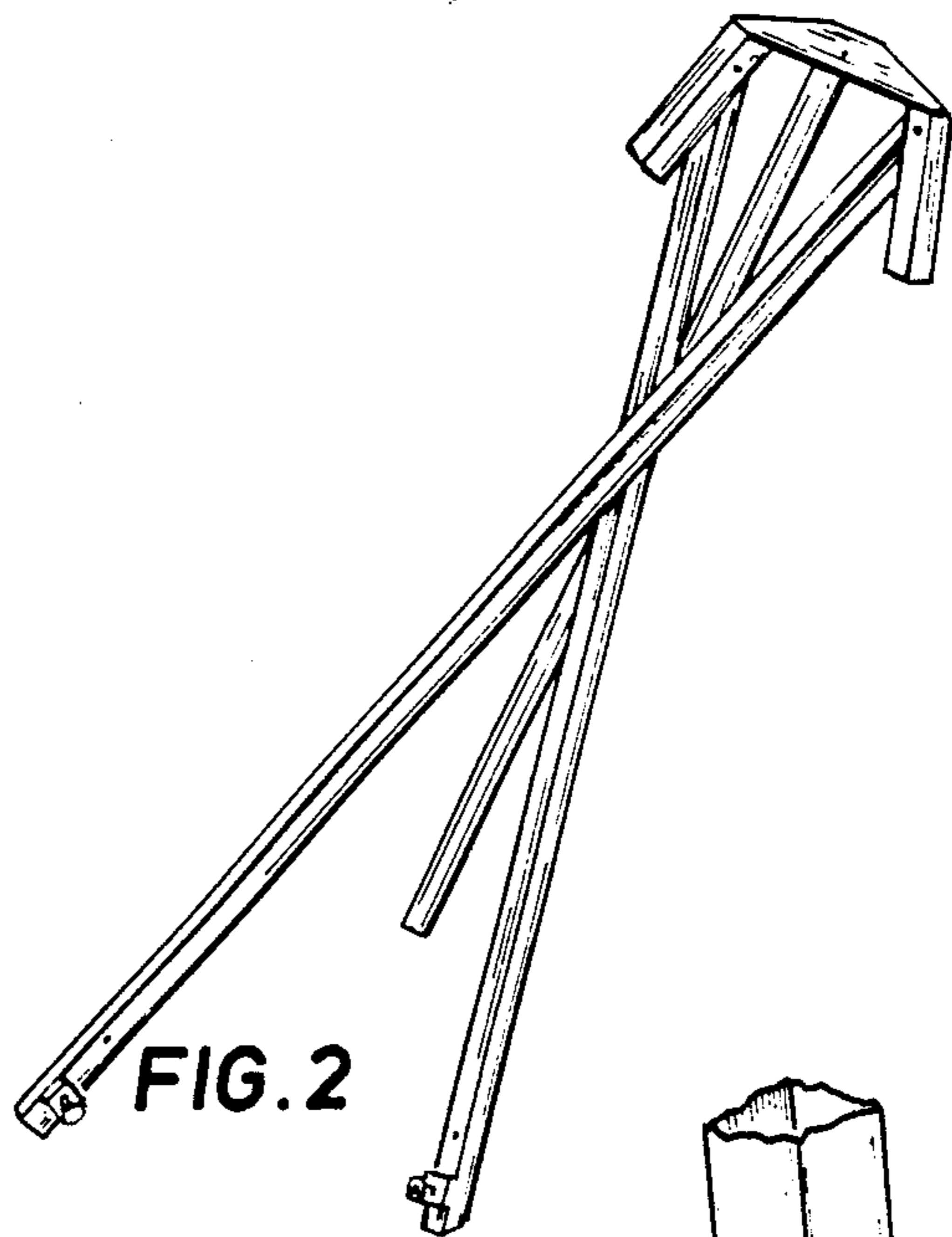
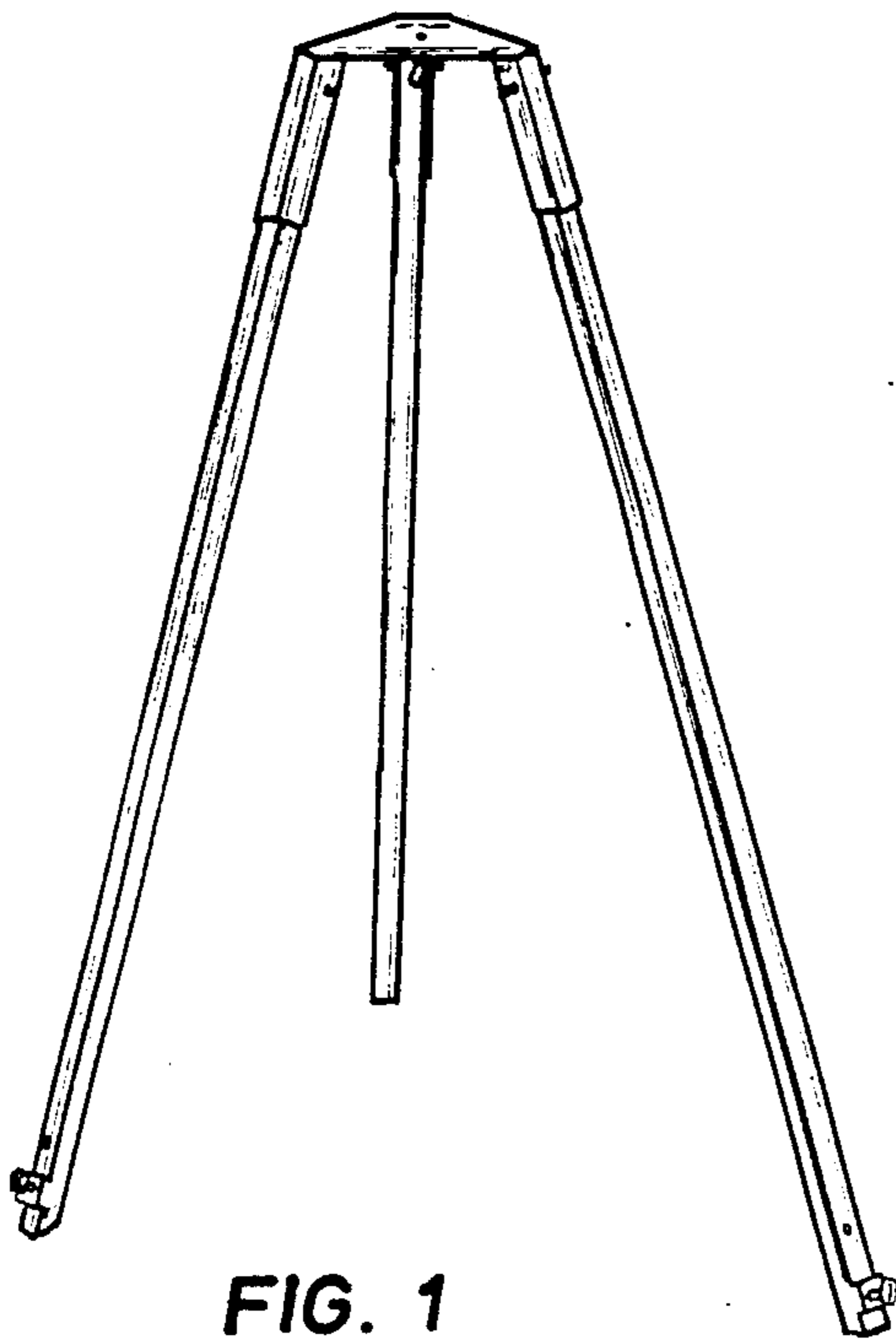
[57] CLAIM

The ornamental design for a tripod lantern support, as shown and described.

DESCRIPTION

FIG. 1 is a front perspective view of a tripod lantern support showing my new design;
 FIG. 2 is a frontal perspective view thereof, with the tripod lantern support illustrated disposed in a portable position;
 FIG. 3 is an enlarged, fragmentary elevational view showing the internal hook support;
 FIG. 4 is an enlarged, fragmentary perspective view showing the top portion of a leg of my new design;
 FIG. 5 is an enlarged, fragmentary perspective view showing the bottom portion of a leg;
 FIG. 6 is an enlarged, fragmentary, bottom perspective view thereof;
 FIG. 7 is a greatly enlarged fragmentary top perspective view thereof;
 FIG. 8 is an upper rear perspective view, as viewed generally from a position to the rear of FIG. 1;
 FIG. 9 is a bottom perspective view with the legs in an extended position;
 FIG. 10 is an enlarged fragmentary sectional view of a portion of one of the telescoping legs.





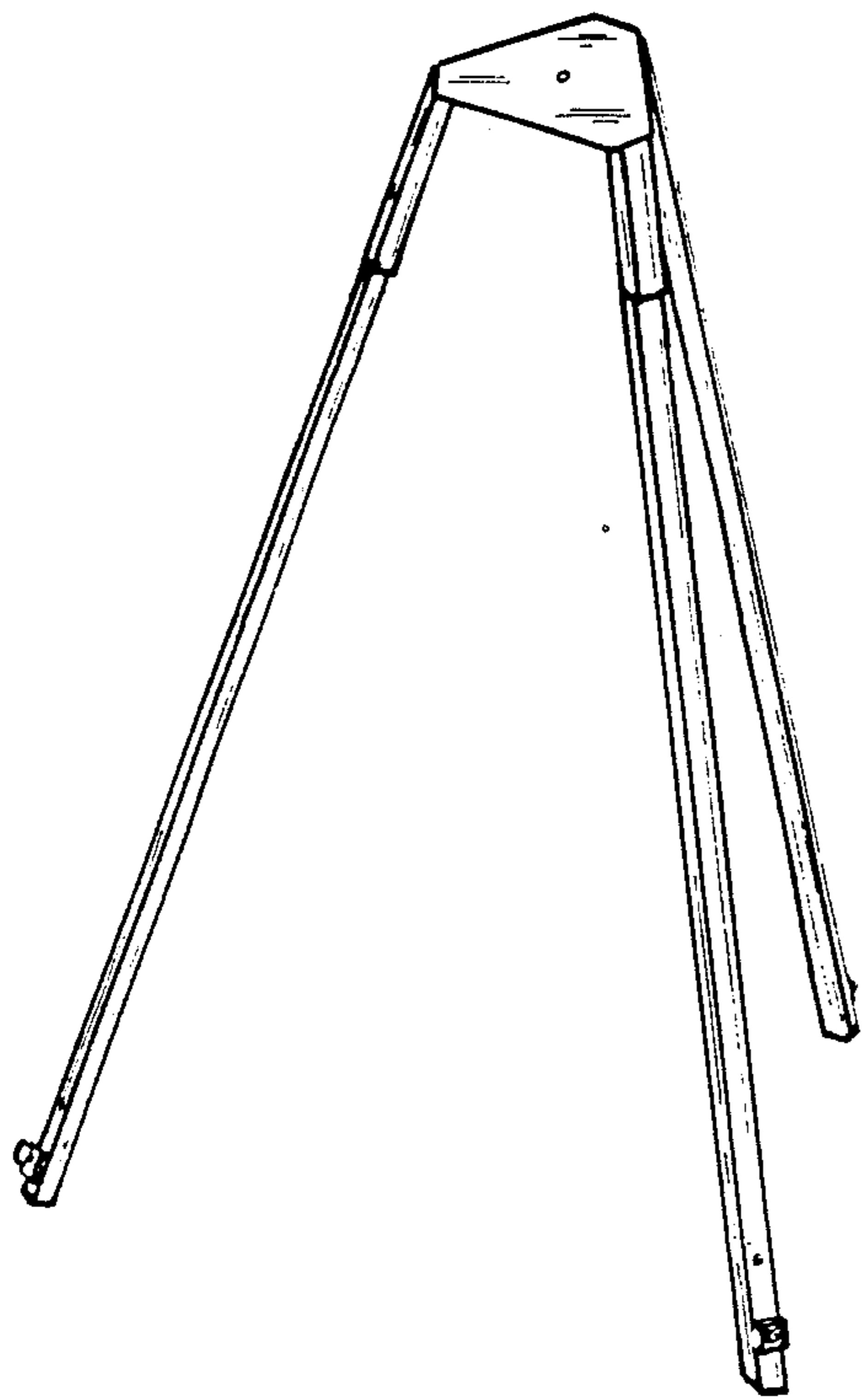


FIG. 8

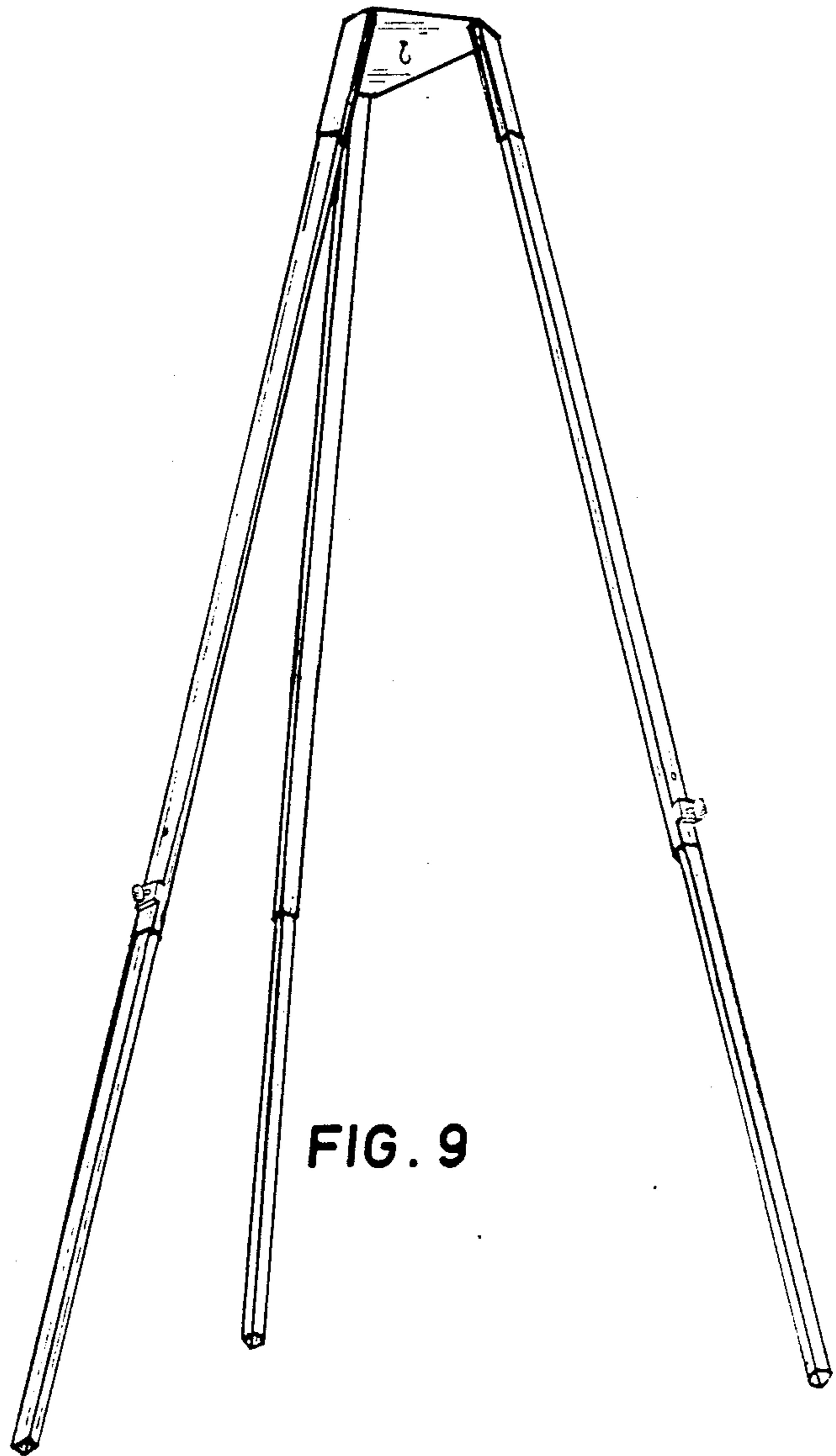


FIG. 9

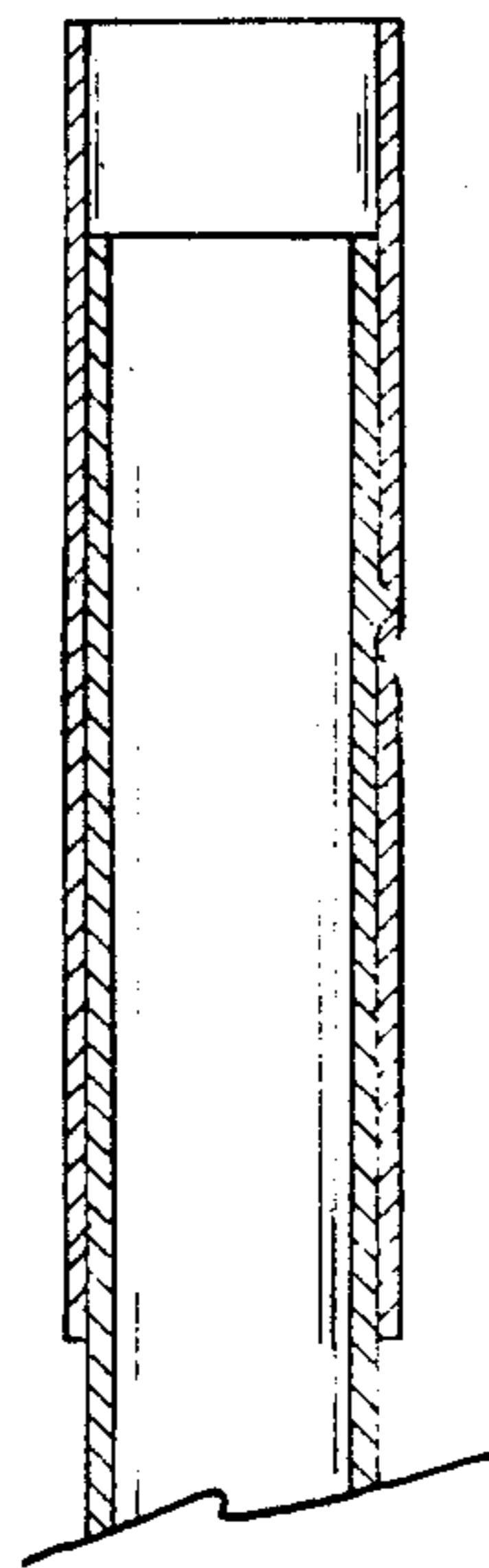


FIG. 10