

[54] AUXILIARY VEHICLE DUAL WARNING LIGHT

[76] Inventor: Joseph E. Baader, 333 Holiday Dr., Springfield, Ohio 45505

[**] Term: 14 Years

[21] Appl. No.: 110,803

[22] Filed: Oct. 21, 1987

[52] U.S. CL D26/35

[58] Field of Search D10/114; D26/28, 30, D26/31, 34, 35, 36; 362/61, 80, 80.1, 82, 83, 83.1, 83.2, 83.3, 362

D. 285,911 9/1986 Yuen .
3,387,127 6/1968 Ericks 362/61 X
4,366,530 12/1982 Milhous 362/80
4,538,213 8/1985 Martin 362/61

Primary Examiner—Susan J. Lucas
Attorney, Agent, or Firm—David H. Semmes

[57] CLAIM

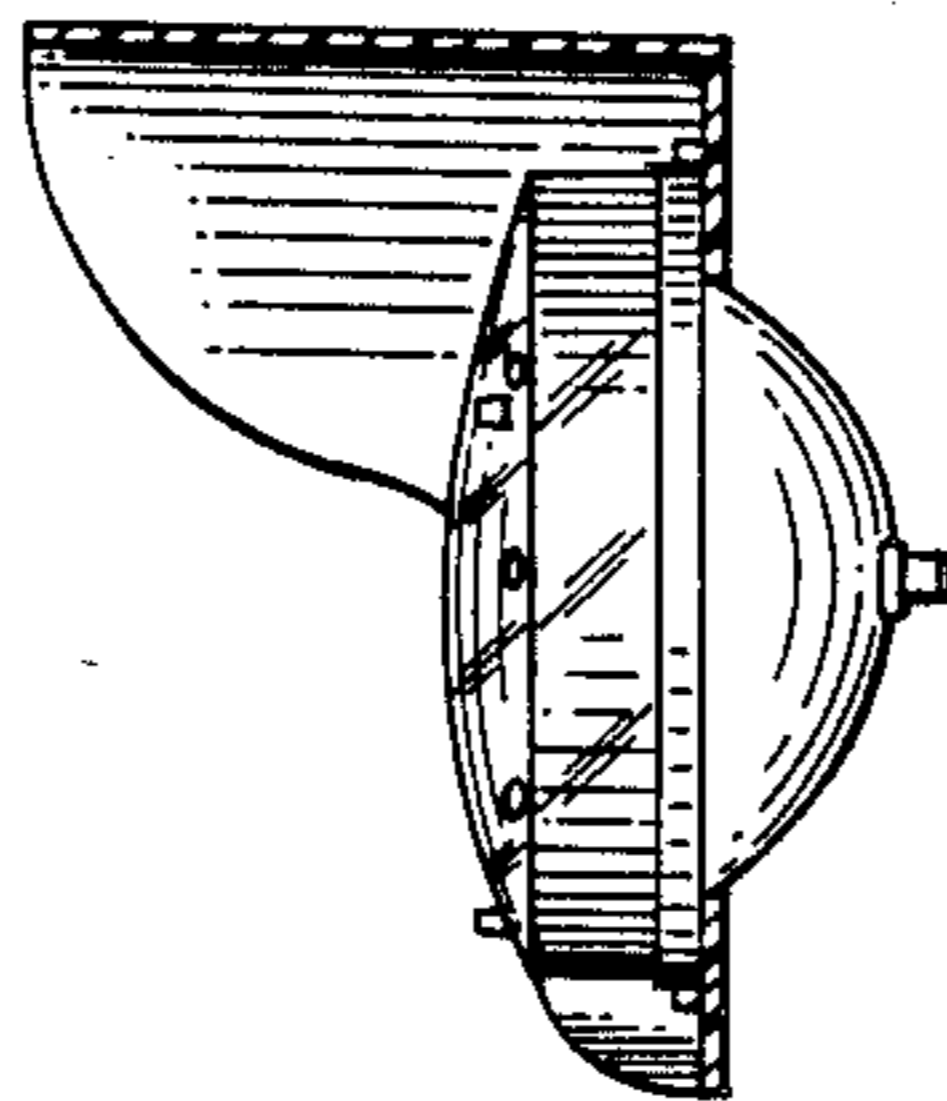
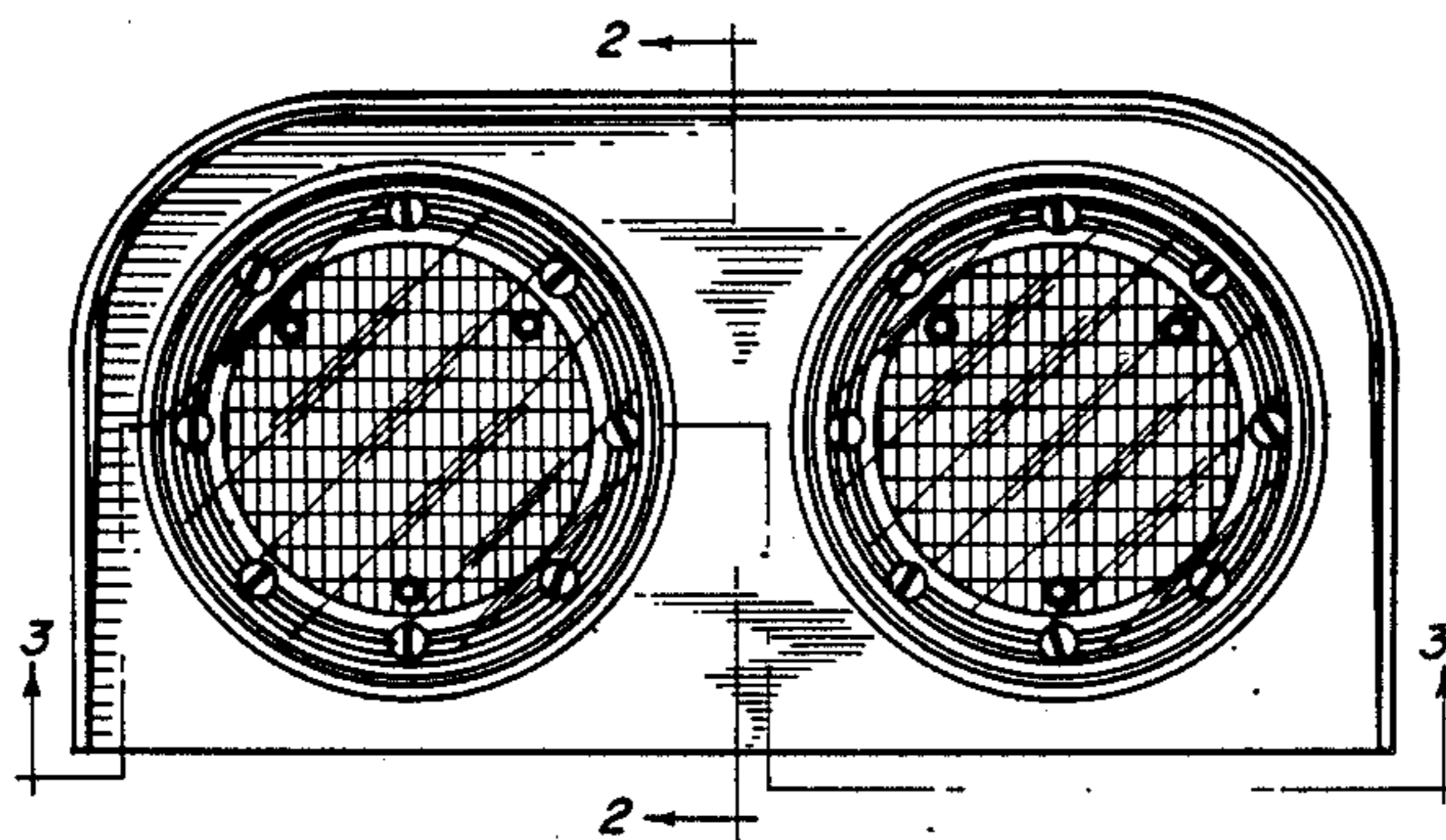
The ornamental design for an auxiliary vehicle dual warning light, as shown and described.

DESCRIPTION

FIG. 1 is a front elevational view of a auxiliary vehicle dual warning light showing my new design;
FIG. 2 is a cross-sectional view thereof as taken along line 2—2 of FIG. 1;
FIG. 3 is a cross-sectional view thereof as taken along line 3—3 of FIG. 1;
FIG. 4 is a right side elevational view thereof;
FIG. 5 is a left side elevational view thereof;
FIG. 6 is a top plan view thereof;
FIG. 7 is a bottom plan view thereof;
FIG. 8 is a rear elevational view thereof.

[56] References Cited
U.S. PATENT DOCUMENTS

- D. 120,551 5/1940 Haggart, Jr. .
- D. 127,676 6/1941 Dover .
- D. 164,276 8/1951 Berry .
- D. 242,780 12/1976 Kelley .
- D. 242,907 1/1977 Blaylock et al. .
- D. 254,995 5/1980 Alzman .
- D. 279,927 7/1985 Preisler et al. .



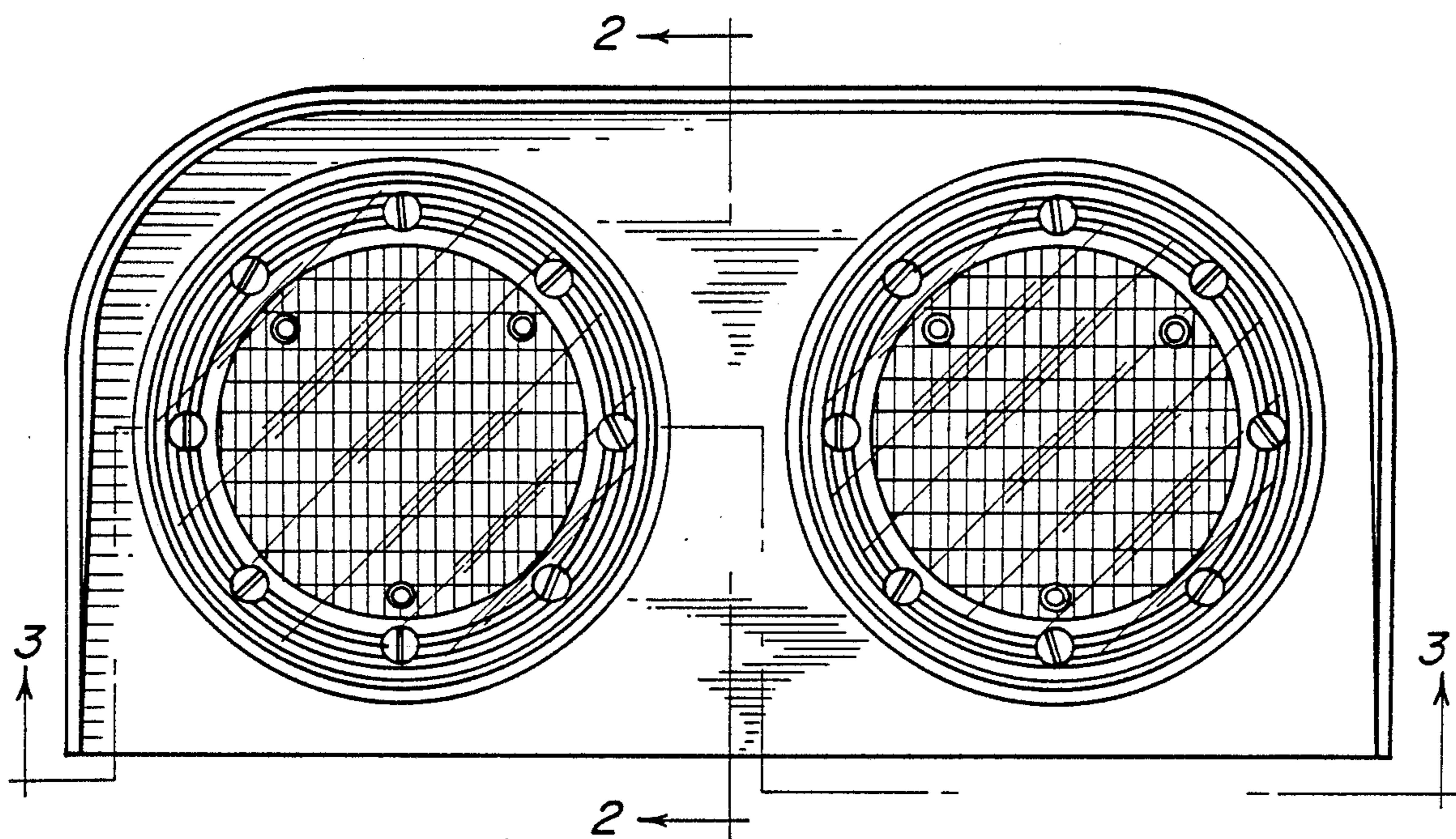


FIG. 1

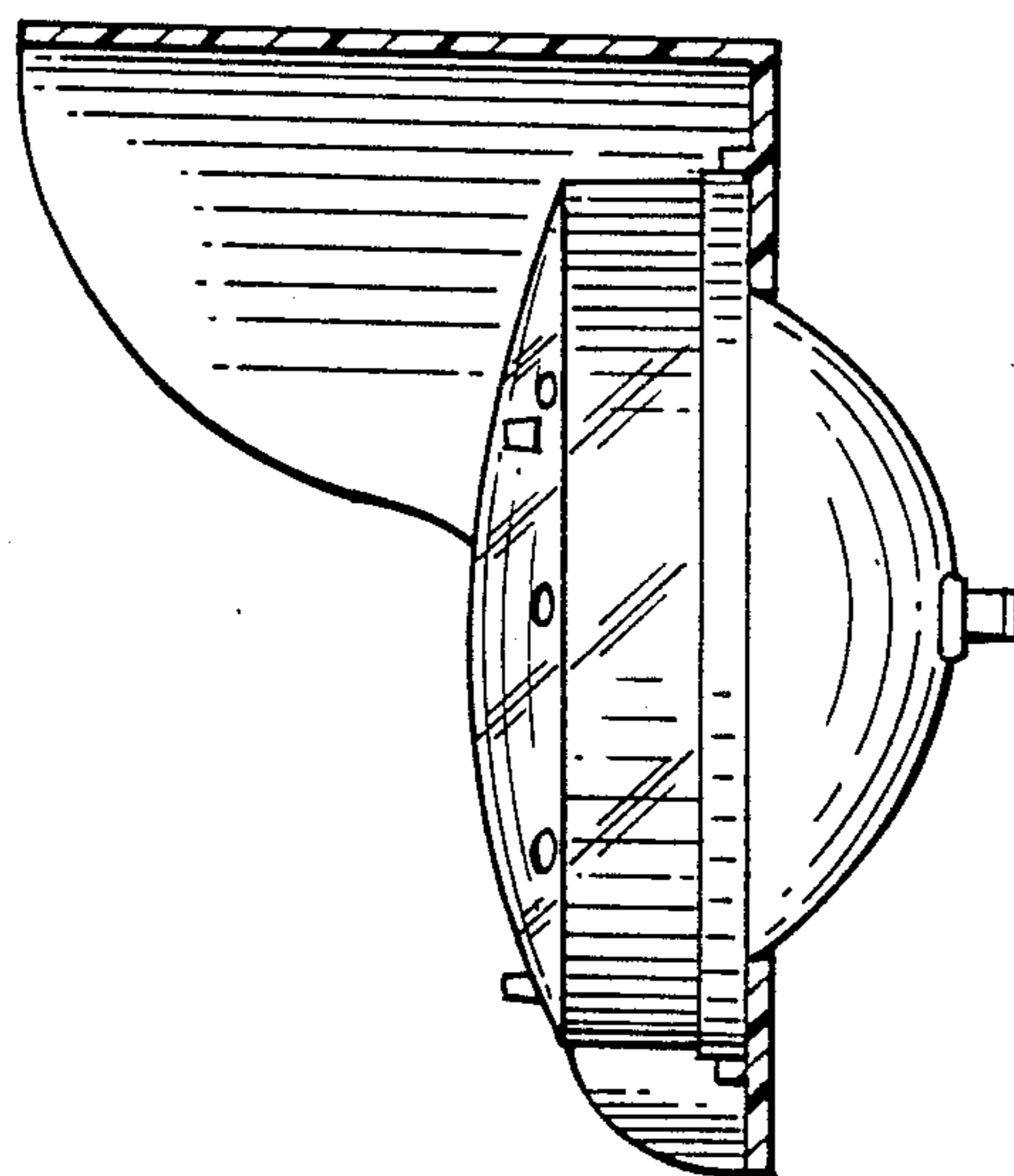


FIG. 2

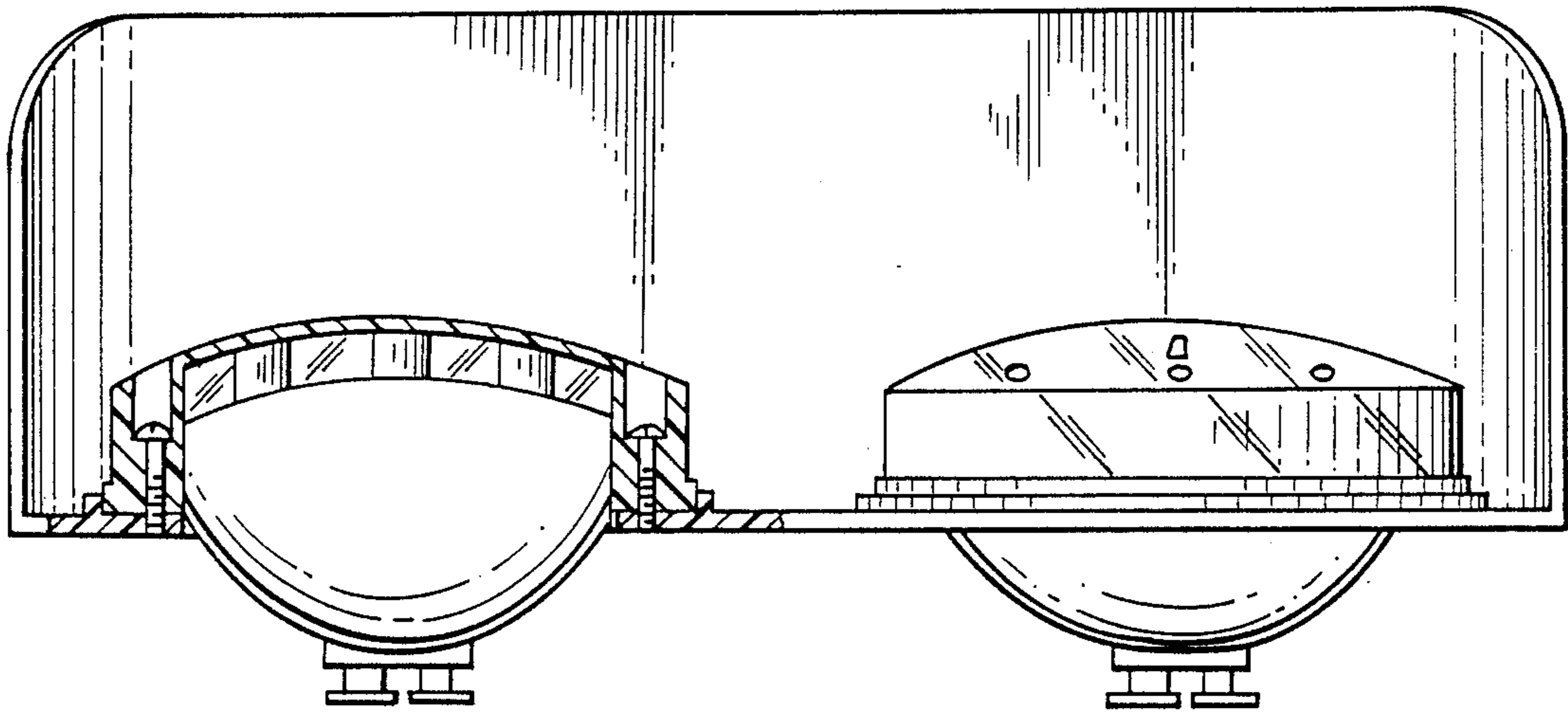


FIG. 3

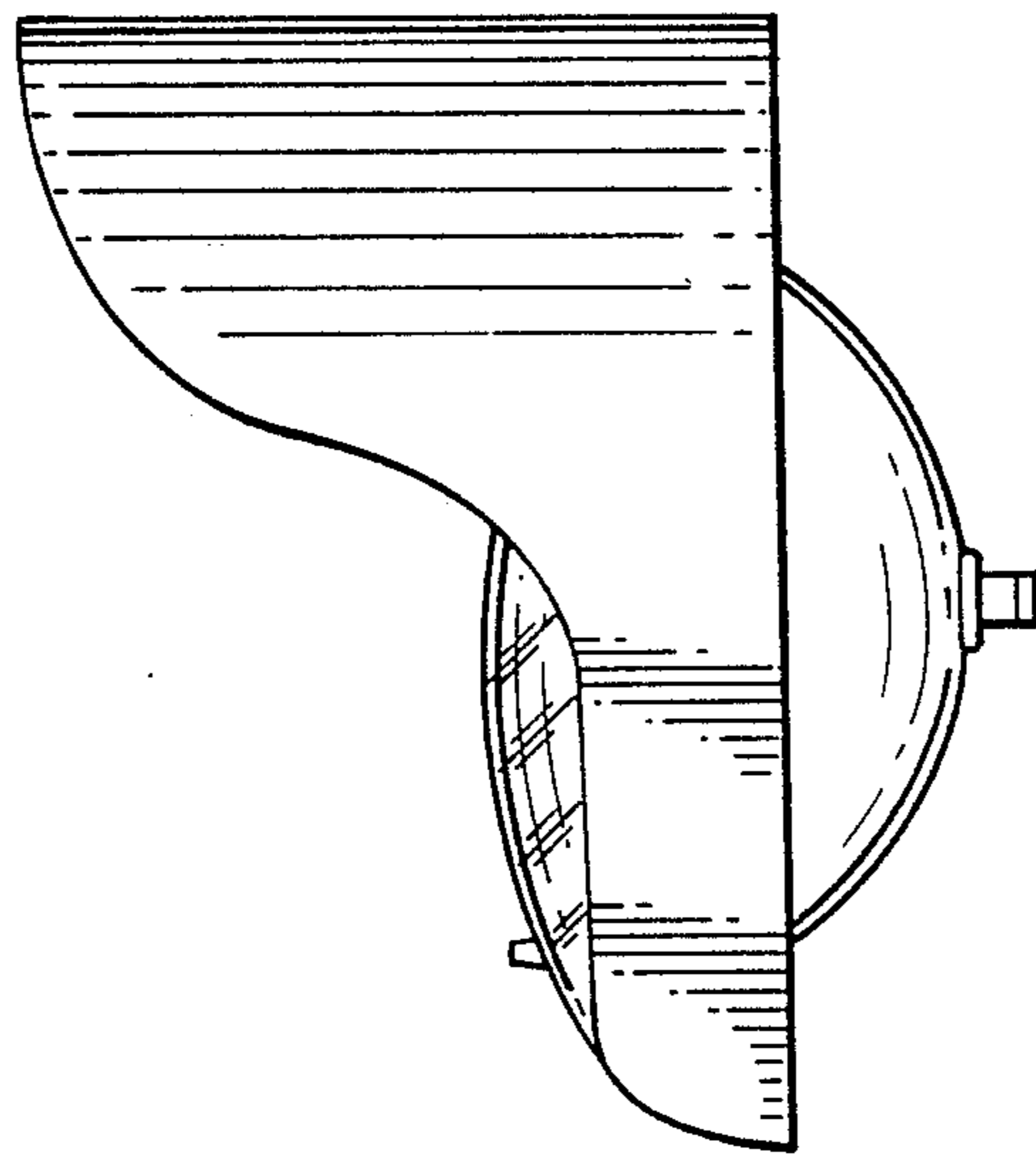


FIG. 4

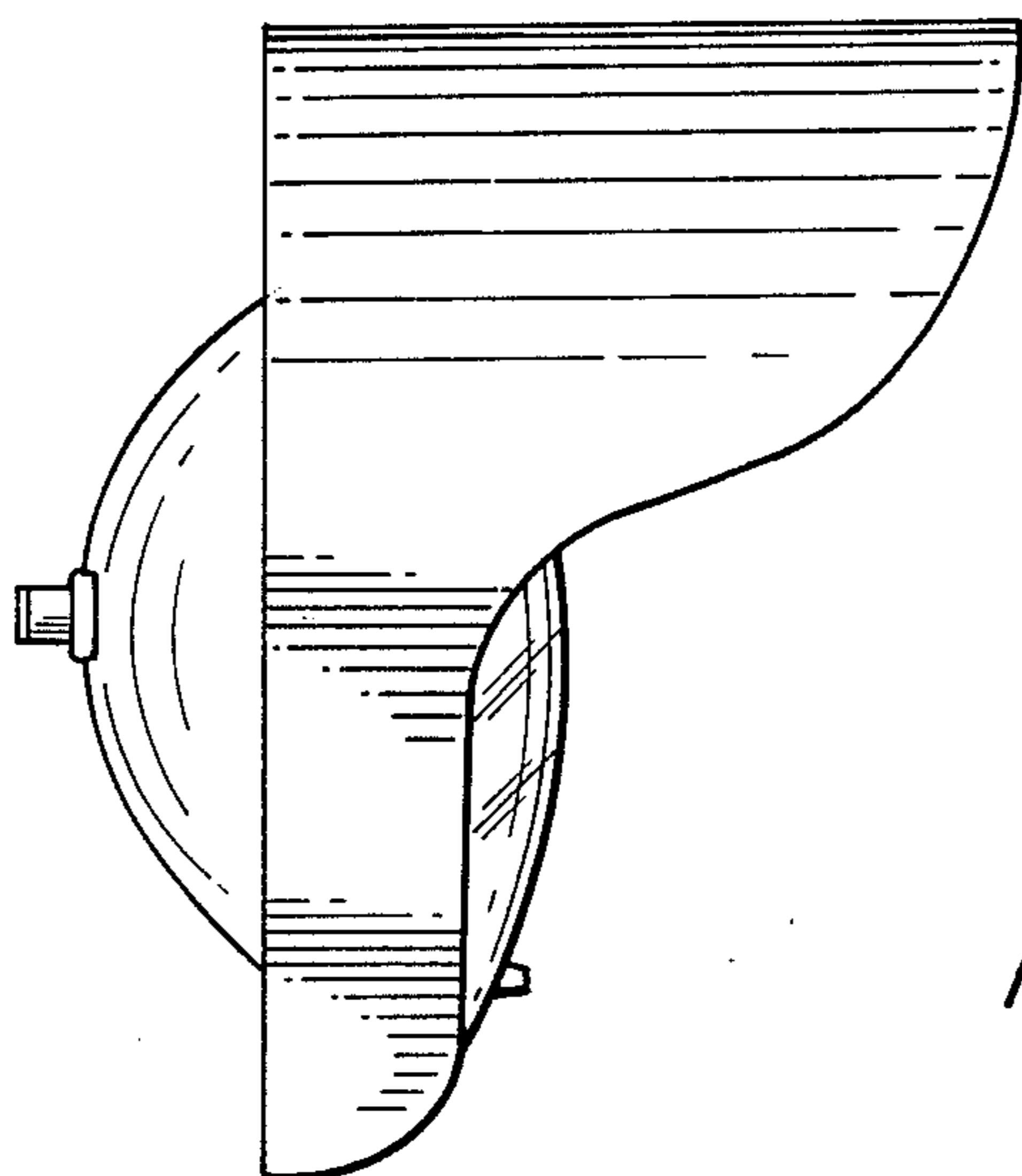


FIG. 5

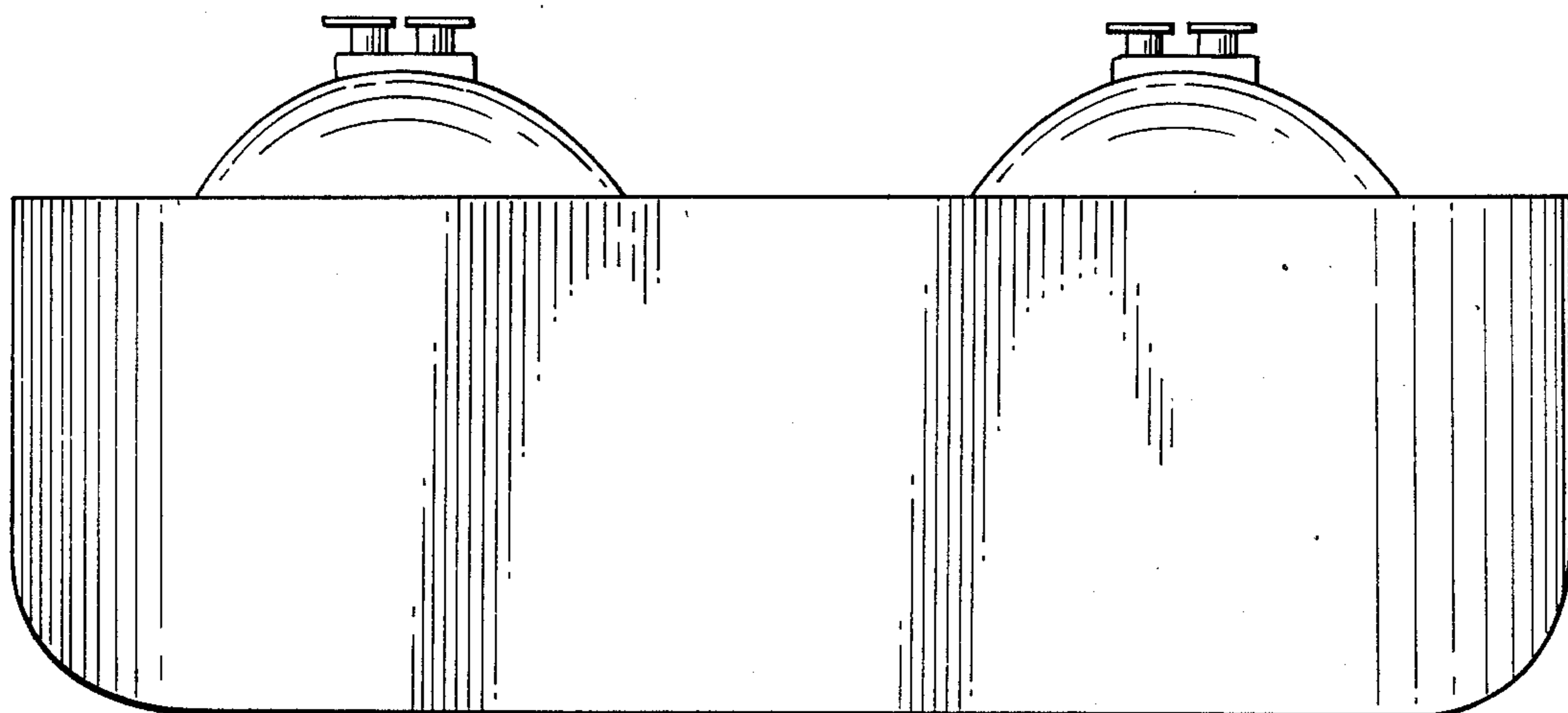


FIG. 6

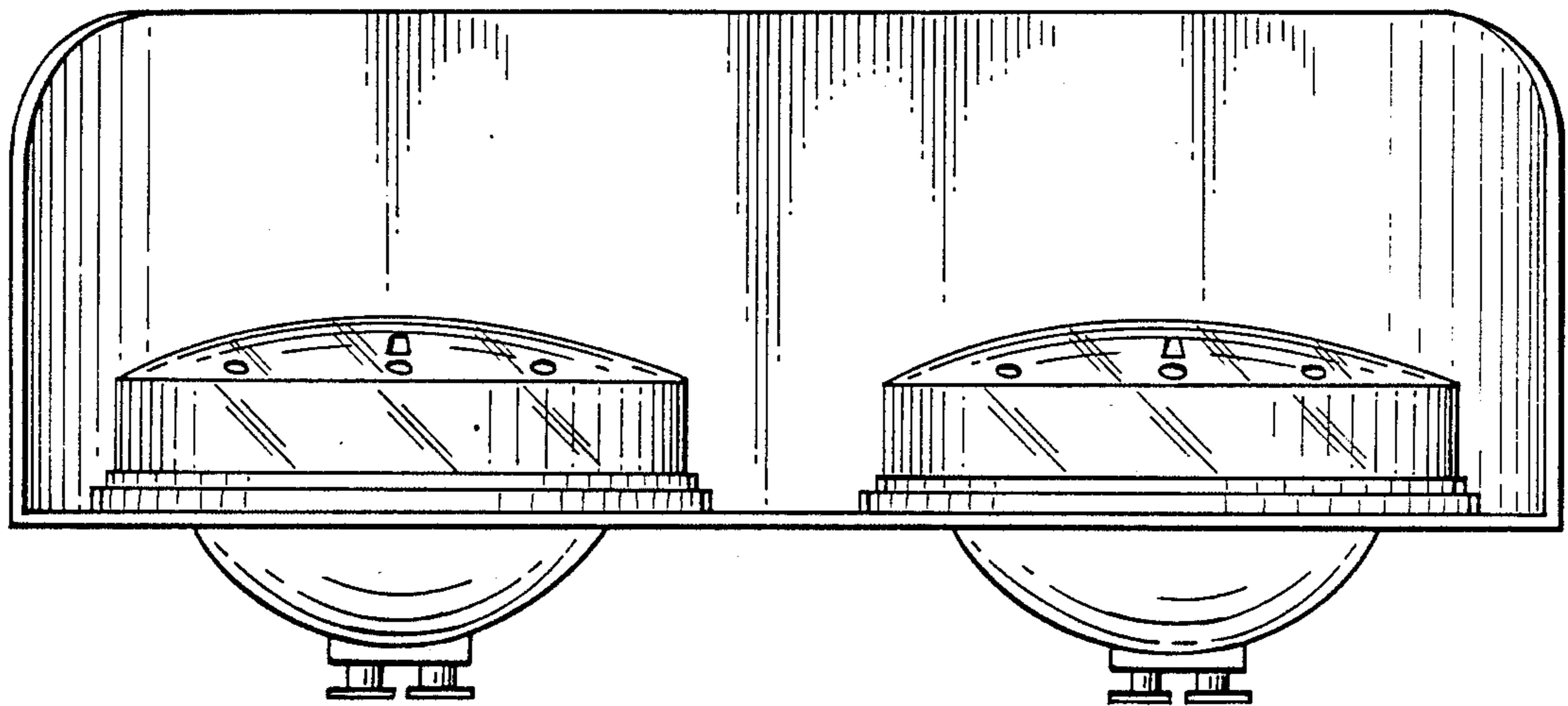


FIG. 7

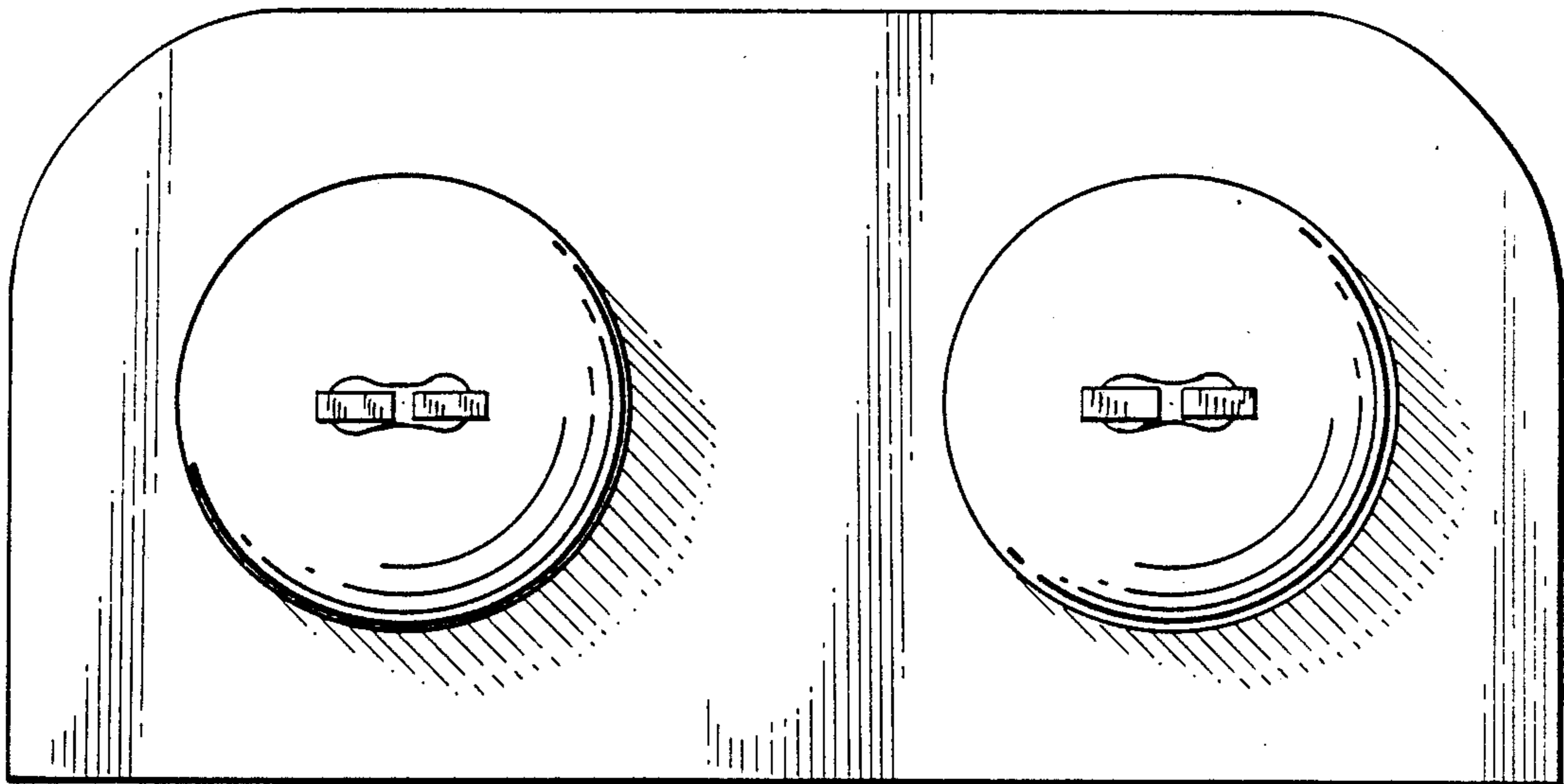


FIG. 8