

[54] FLAT BRICK BORDER SECTION

[75] Inventors: Lavergne Nauseda, Antioch, Ill.; Hayden Leason, Humacao, P.R.

[73] Assignee: Filtertek, Inc., Hebron, Ill.

[**] Term: 14 Years

[21] Appl. No.: 82,251

[22] Filed: Aug. 5, 1987

[52] U.S. Cl. D25/113; D8/1

[58] Field of Search D25/38, 39, 41, 43, D25/44, 113, 119, 121, 133, 136, 164; D8/1; 47/46, 33; 52/102, 578, 582, 583, 584; 256/1, 32; 404/34, 7, 8, 37, 38, 40, 42, 43

[56] References Cited

U.S. PATENT DOCUMENTS

D. 182,124	2/1958	Kearney et al.	D25/113
D. 276,494	11/1984	Novak et al.	D8/1
2,062,979	12/1936	Walmsrey	52/582
2,235,356	3/1941	Byers	52/584
2,282,559	5/1942	Byers	52/584
2,792,164	5/1957	Cauffiel	182/194
2,912,792	11/1959	Venable	47/33
3,559,338	2/1971	Klingberg	56/350
3,762,113	10/1973	O'Mullan et al.	47/33
4,197,684	4/1980	Johnson	52/102

OTHER PUBLICATIONS

Sunset Garden and Patio Building Book, ©1969, barbecues and firepits section, p. 75, firepit in concrete paved patio, right center.

Sunset Garden and Patio Building Book, ©1969, garden pools section, p. 78, pie shaped pool, bottom left.

Primary Examiner—A. Hugo Word

Assistant Examiner—Doris Clark

Attorney, Agent, or Firm—William Brinks Olds Hofer Gilson & Lione

[57] CLAIM

The ornamental design for a flat brick border section, as shown.

DESCRIPTION

FIG. 1 is a perspective view of a flat brick boarder section showing our new design;

FIG. 2 is a top plan view thereof;

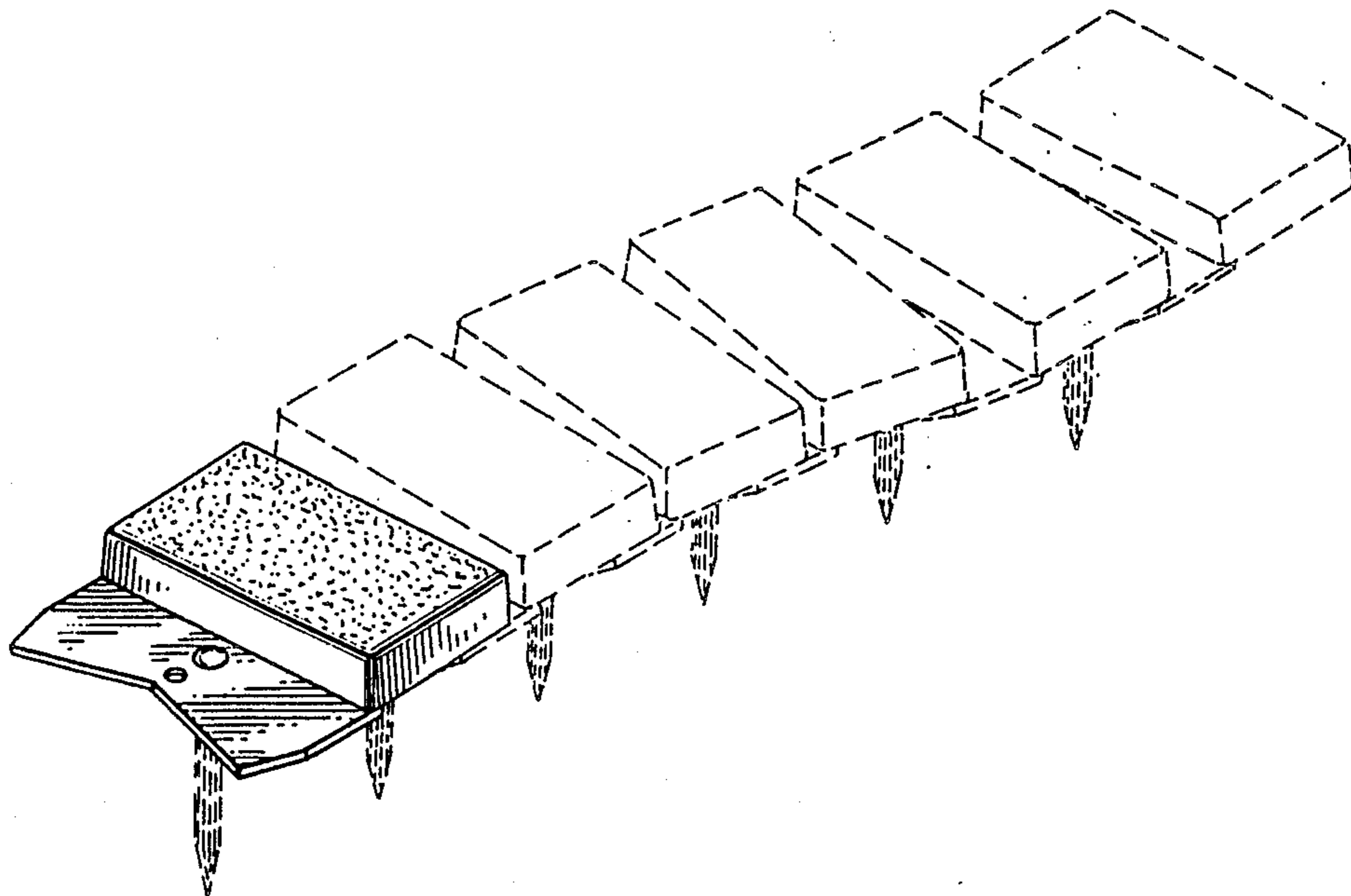
FIG. 3 is a side elevational view thereof;

FIG. 4 is a front elevational view thereof;

FIG. 5 is a rear elevational view thereof; and,

FIG. 6 is a bottom plan view thereof.

The broken line showing of a series of flat brick boarder sections and ground pegs in FIGS. 1 and 3 is for illustrative purposes only and forms no part of the claimed design.



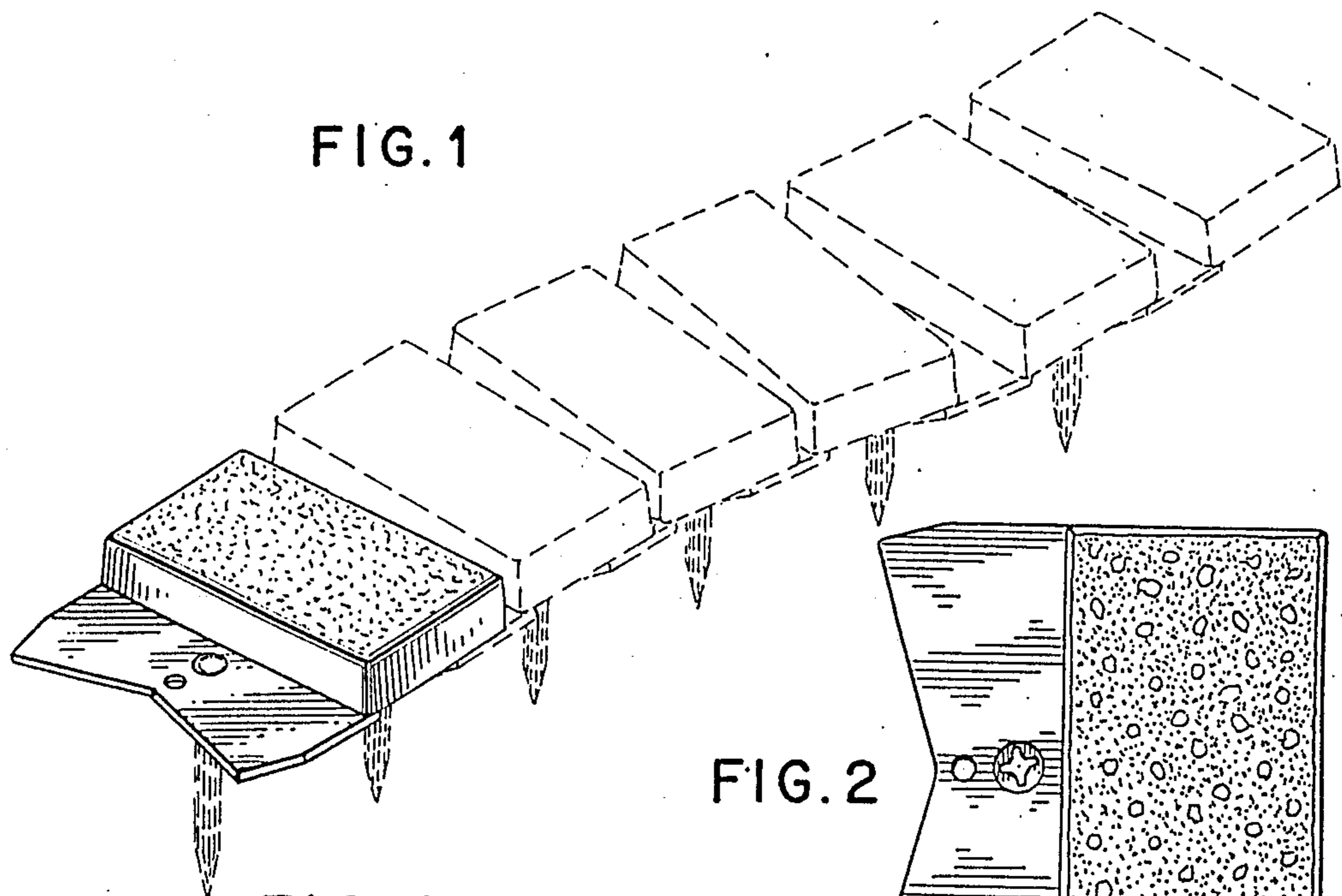


FIG. 1

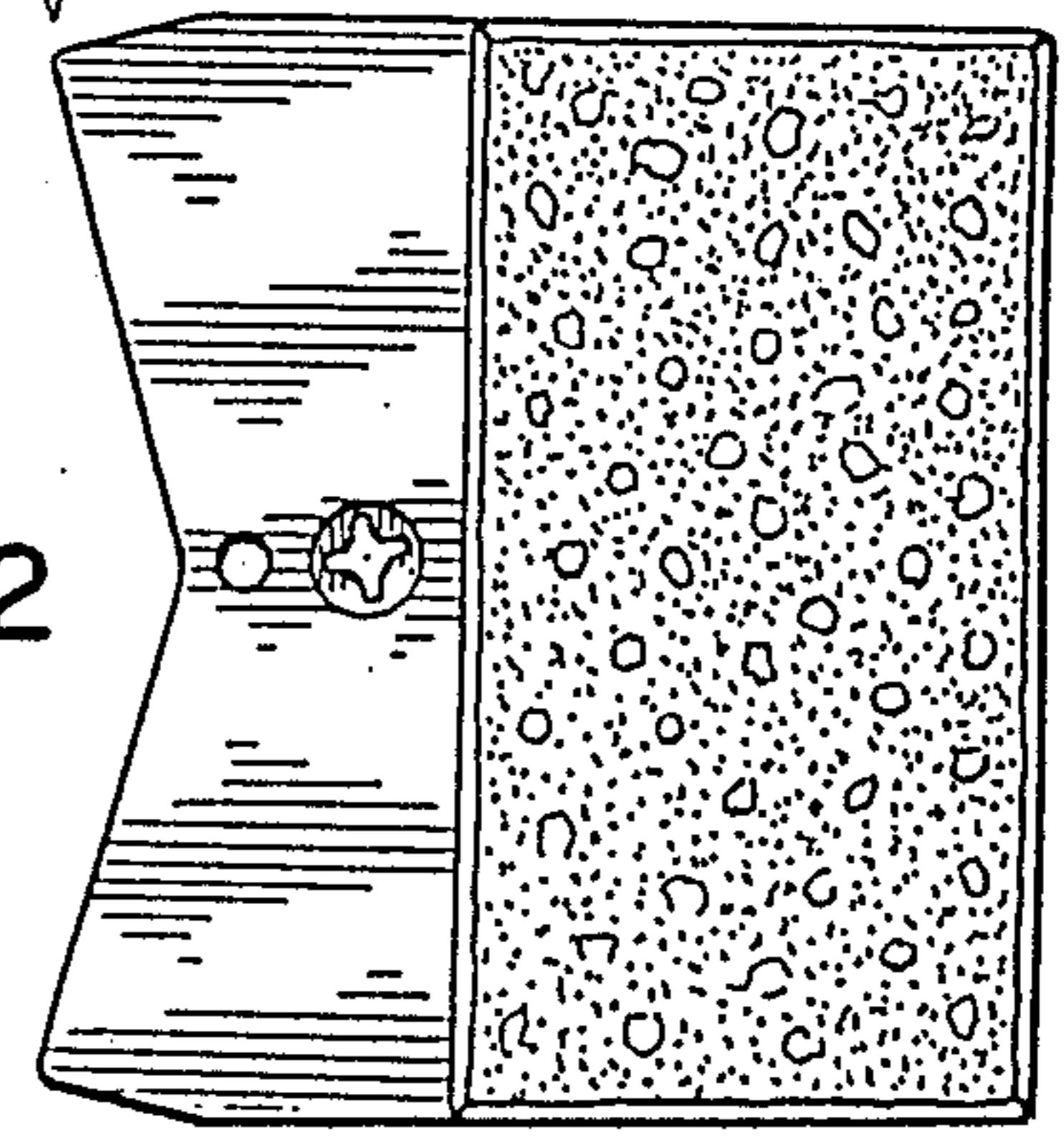


FIG. 2

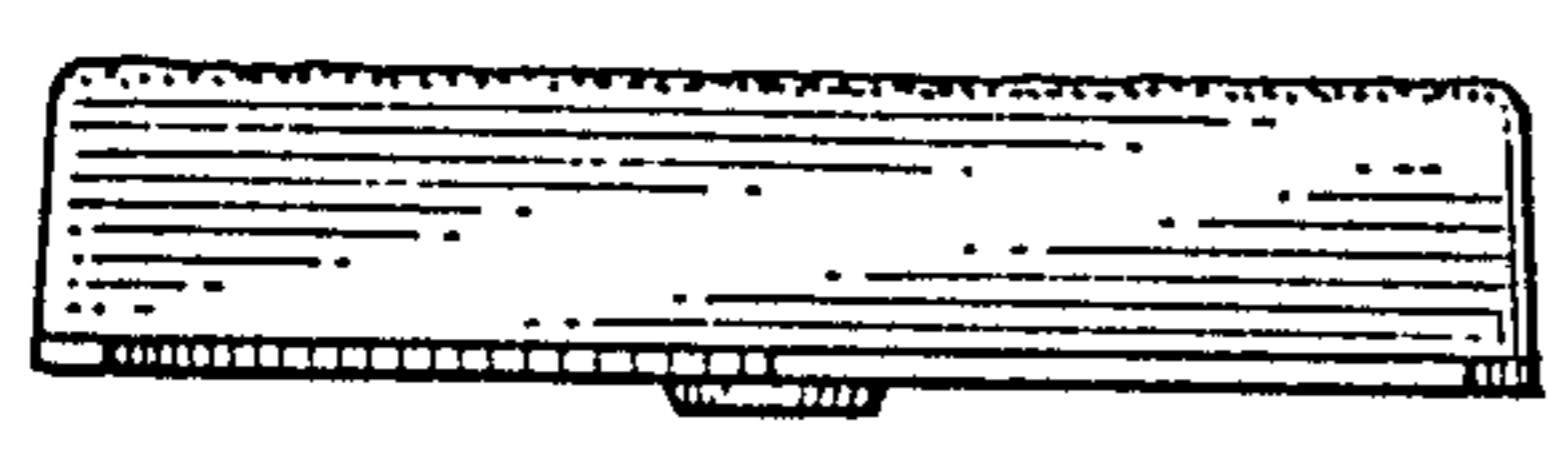


FIG. 4

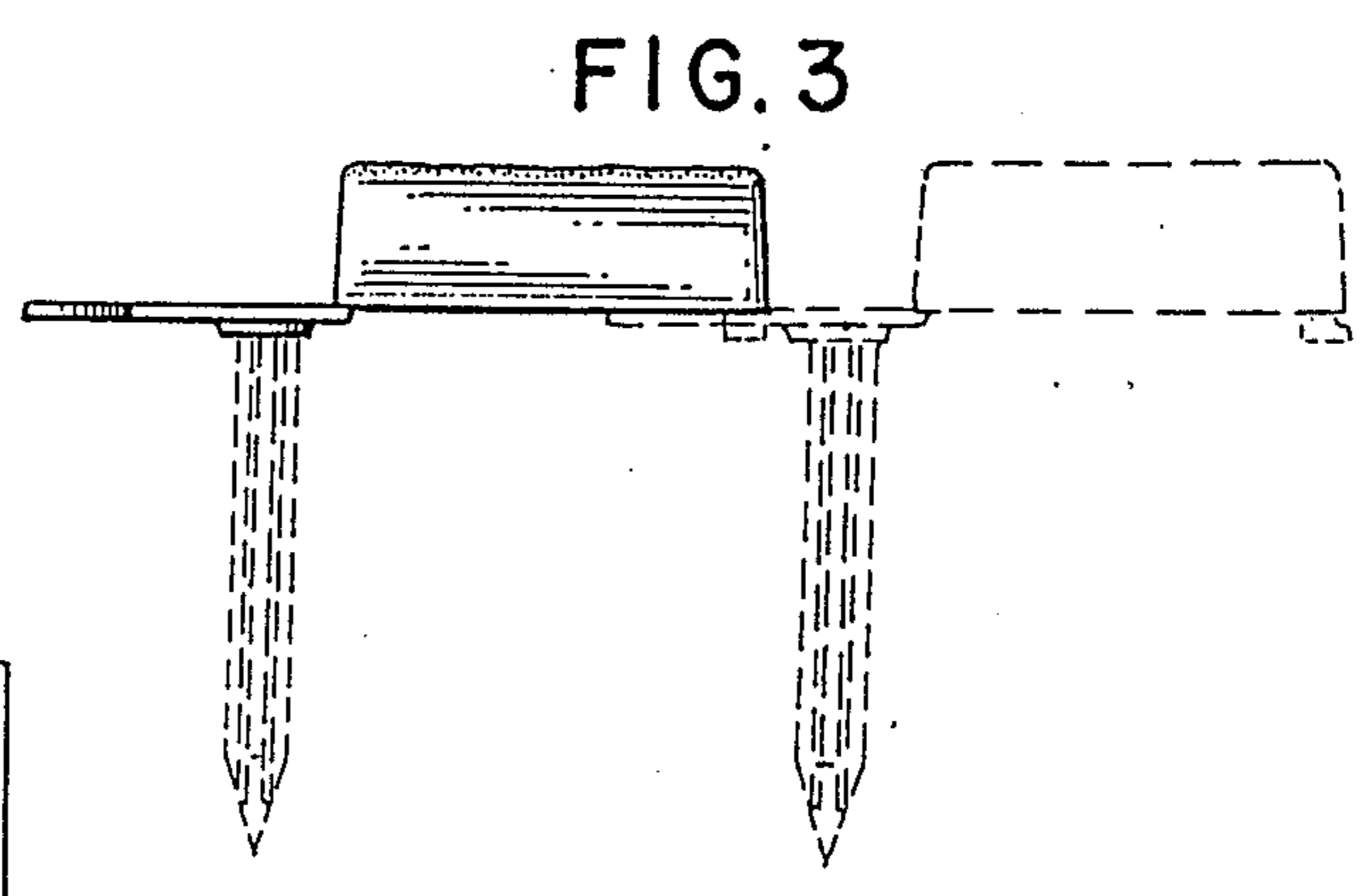


FIG. 3

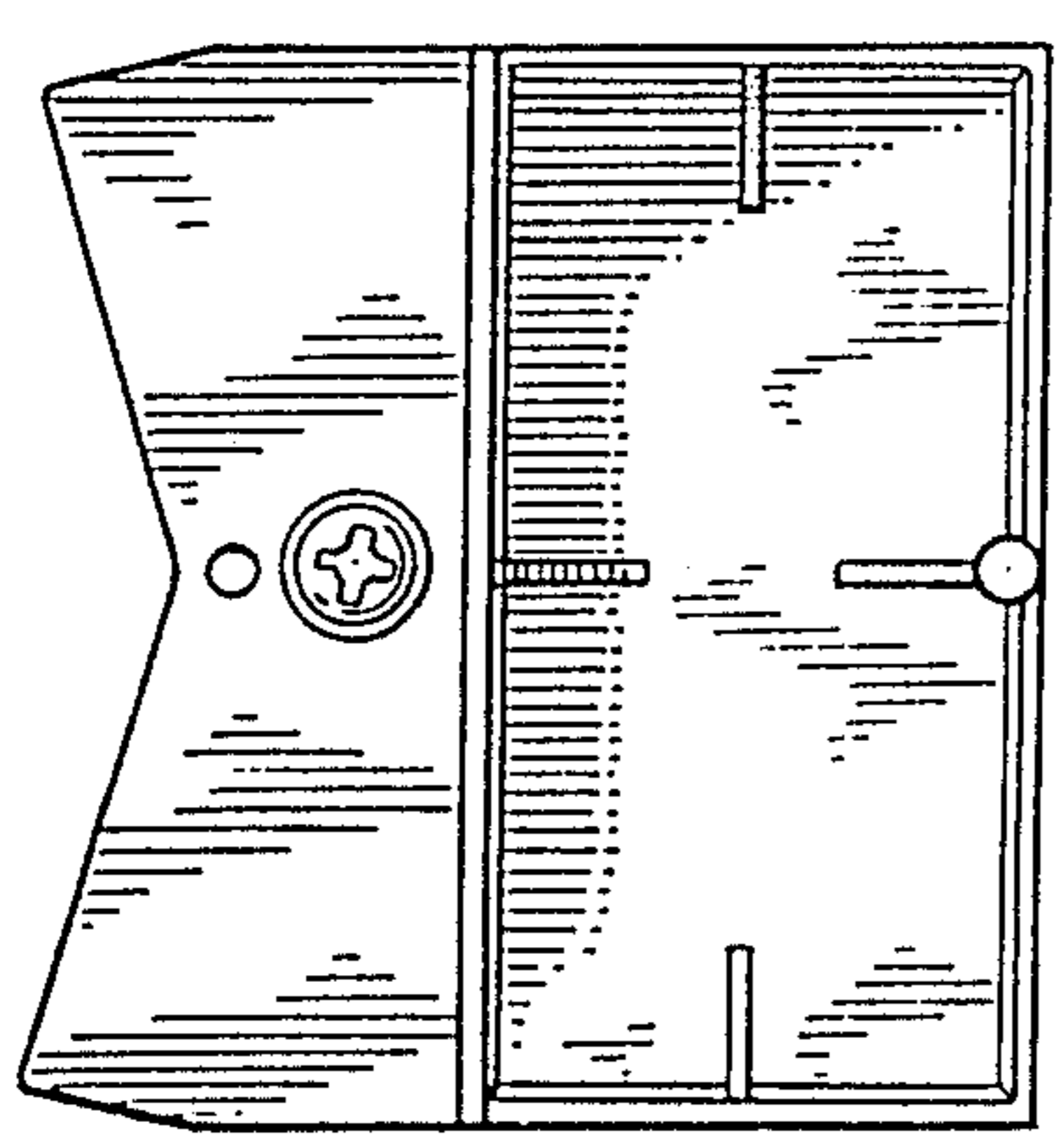


FIG. 6

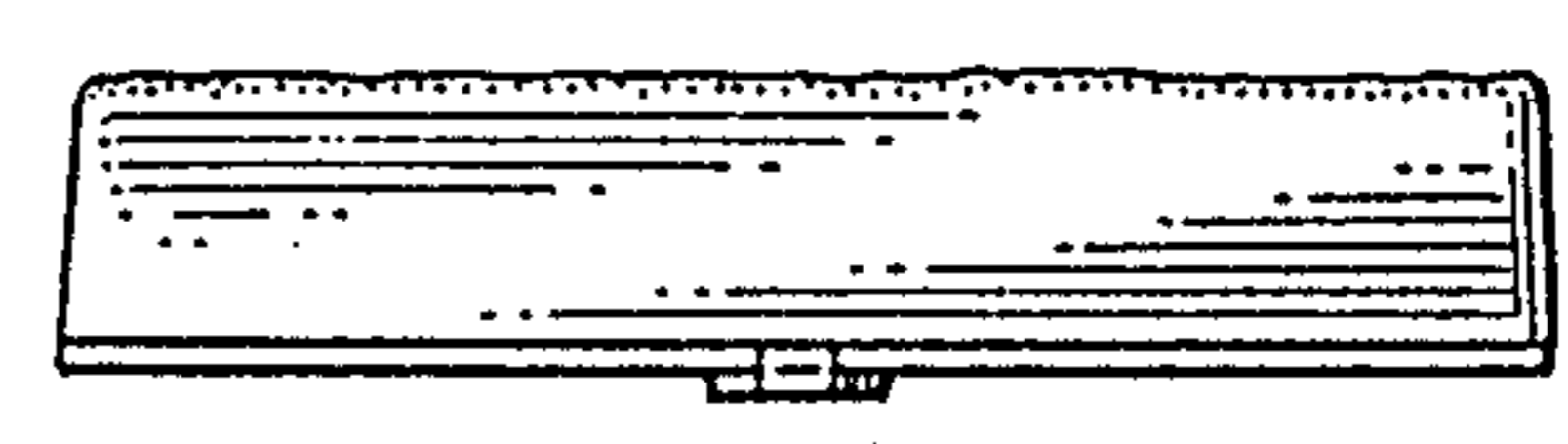


FIG. 5