

[54] PERMANENT PHOTOGRAPHIC MEMORIAL MARKER

[76] Inventor: Artie J. Morvant, 309 Amis St., Thibodaux, La. 70203

[**] Term: 14 Years

[21] Appl. No.: 64,458

[22] Filed: Jun. 22, 1987

[52] U.S. Cl. D99/17

[58] Field of Search D25/17, 21, 22, 24; D6/300, 308, 309; 40/124.1, 152; 52/102, 103, 104

[56] References Cited

U.S. PATENT DOCUMENTS

7,974	3/1851	Jenkins	40/124.5
D. 22,850	2/1859	Bergstresser	D99/22
D. 54,773	3/1920	Seliber	D99/22
D. 119,520	3/1940	Baumgarth	D99/22
D. 163,896	7/1951	Nichols	D99/17
196,919	11/1877	McClain	40/124.5
D. 252,832	9/1979	Bowser	D6/308
291,106	1/1884	Strong	40/124.5
298,089	5/1884	Holloman et al.	40/124.5
373,243	11/1887	Miller	40/124.5
955,720	4/1910	Thomas	40/124.5

1,136,056	4/1915	Smith	40/124.5
2,055,570	9/1936	Bradley	40/152
2,312,859	3/1943	Zentmyer	52/103
3,150,457	9/1964	Thieme	40/152

OTHER PUBLICATIONS

Dedo Monument Portraits Catalog No. 14, J. A. Dedouch Co., Oak Park, Ill., ©1893.

Primary Examiner—A. Hugo Word

Assistant Examiner—Doris Clark

Attorney, Agent, or Firm—A. Robert Theibault

[57] CLAIM

The ornamental design for a permanent photographic memorial marker, as shown and described.

DESCRIPTION

FIG. 1 is a perspective view of a permanent photographic memorial marker with lid closed showing my new design.

FIG. 2 is a front elevational view thereof.

FIG. 3 is a side elevational view thereof.

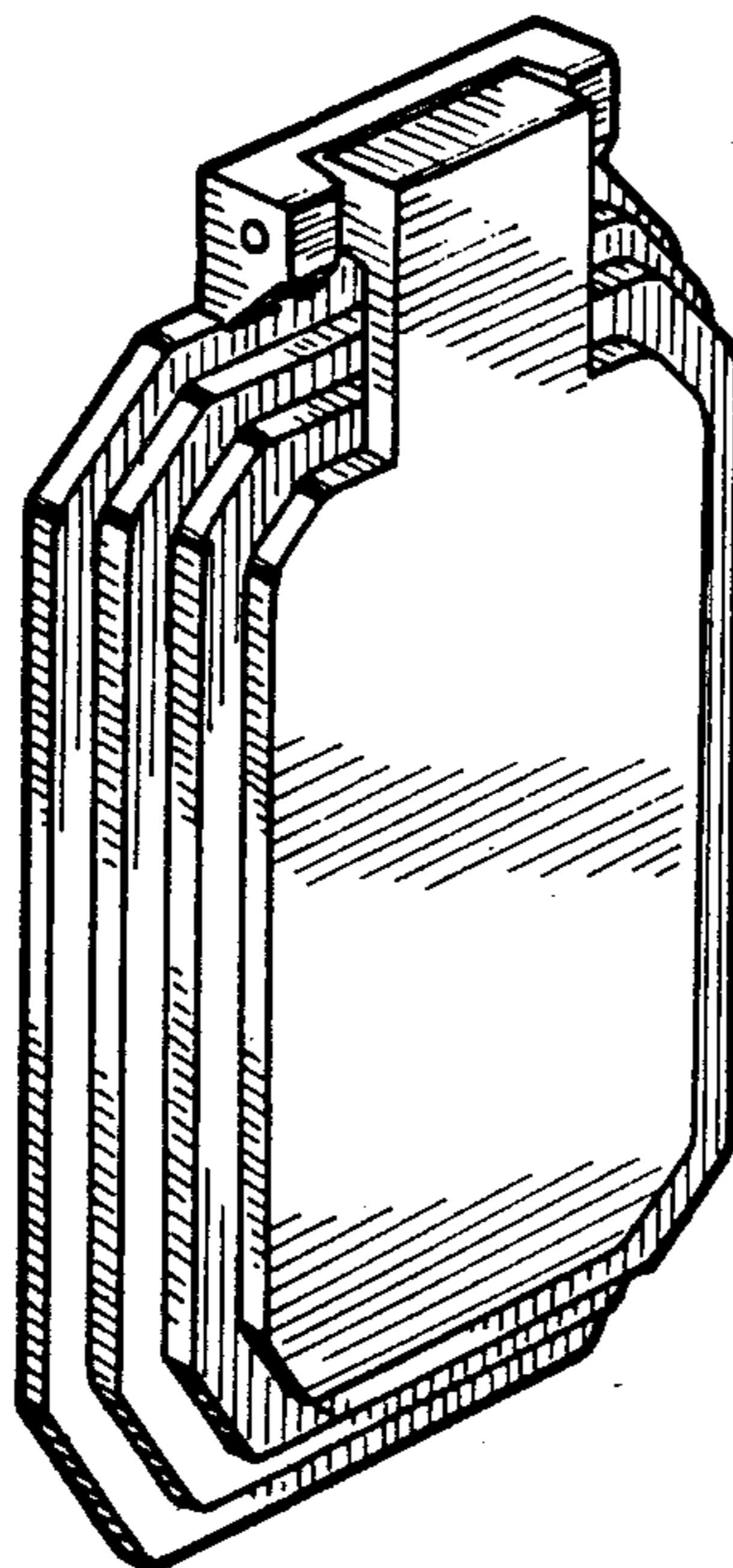
FIG. 4 is a rear elevational view thereof.

FIG. 5 is a top plan view thereof.

FIG. 6 is a bottom plan view thereof.

FIG. 7 is a vertical cross sectional view taken on lines 7—7 of FIG. 4.

FIG. 8 is a perspective view of FIG. 1 with the lid open.



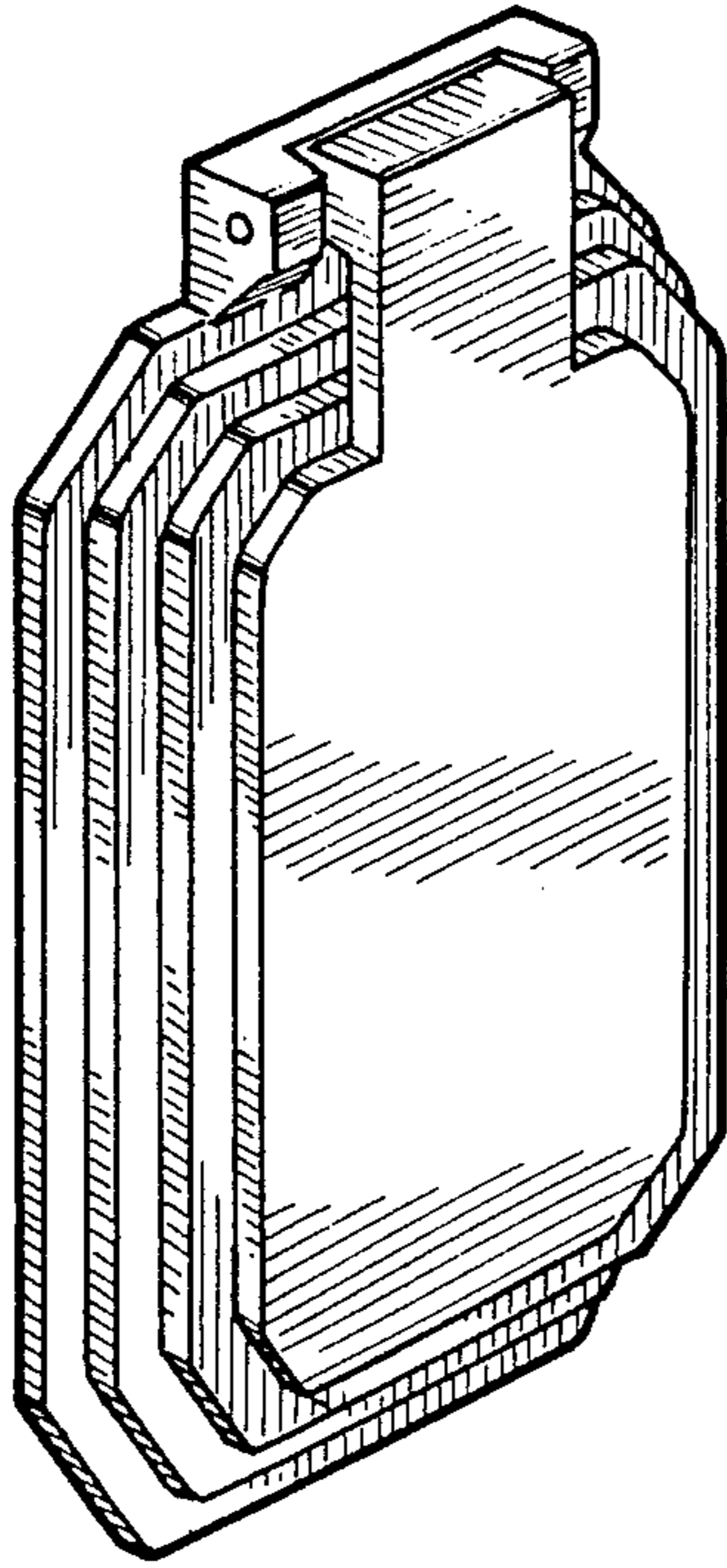


FIG. 1

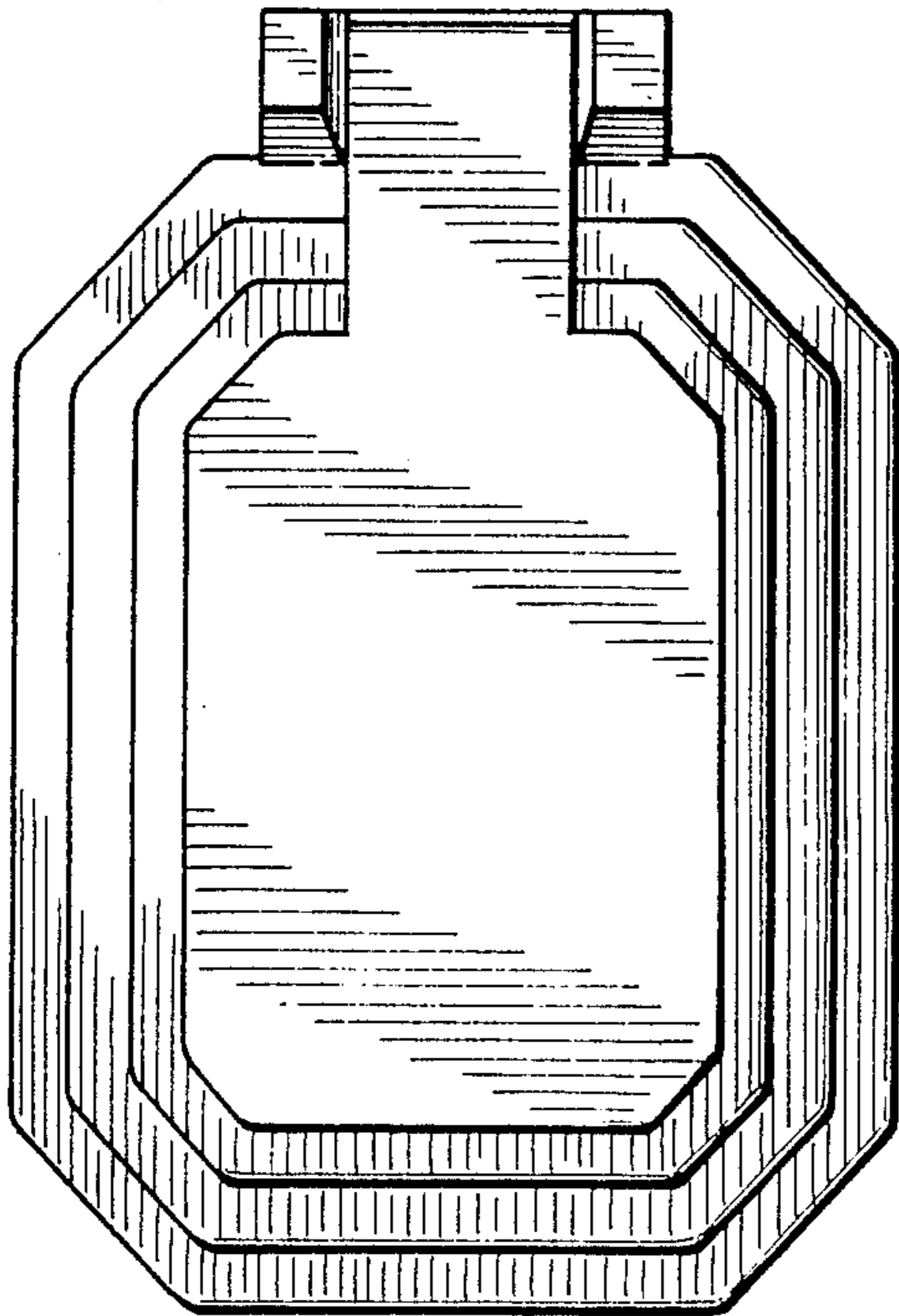


FIG. 2

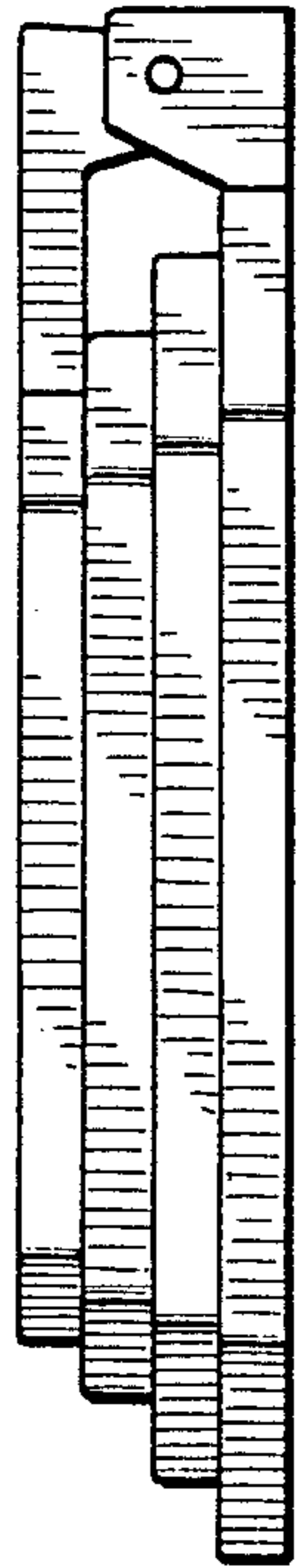


FIG. 3

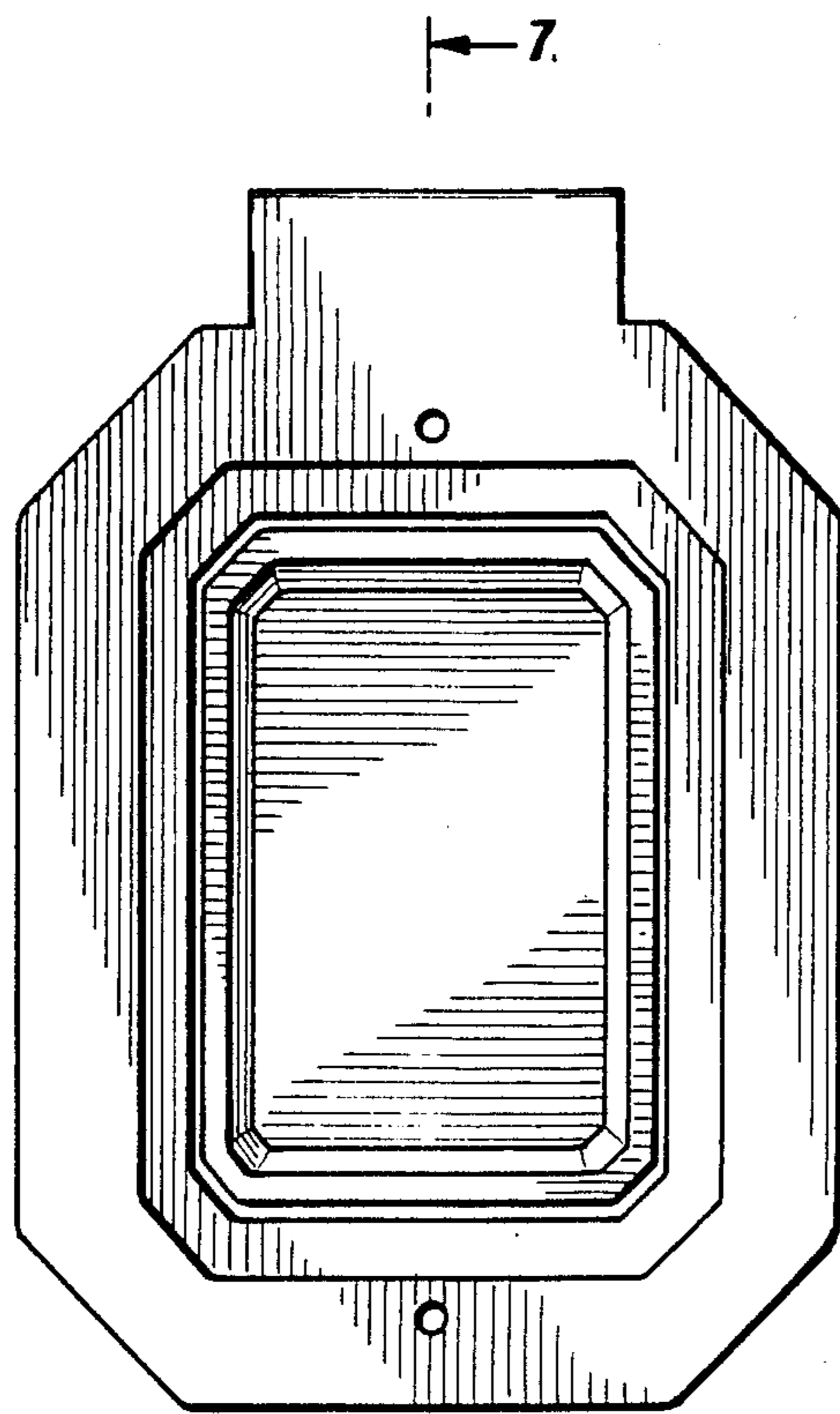


FIG. 4

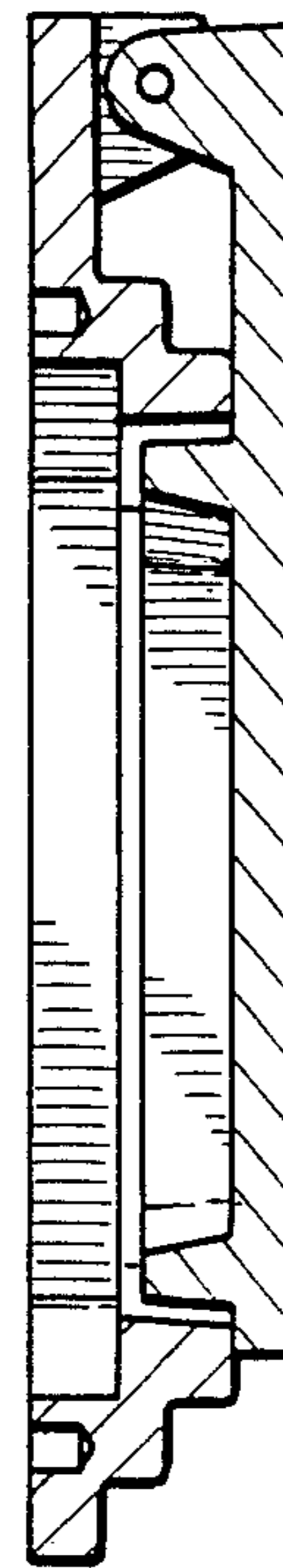


FIG. 7

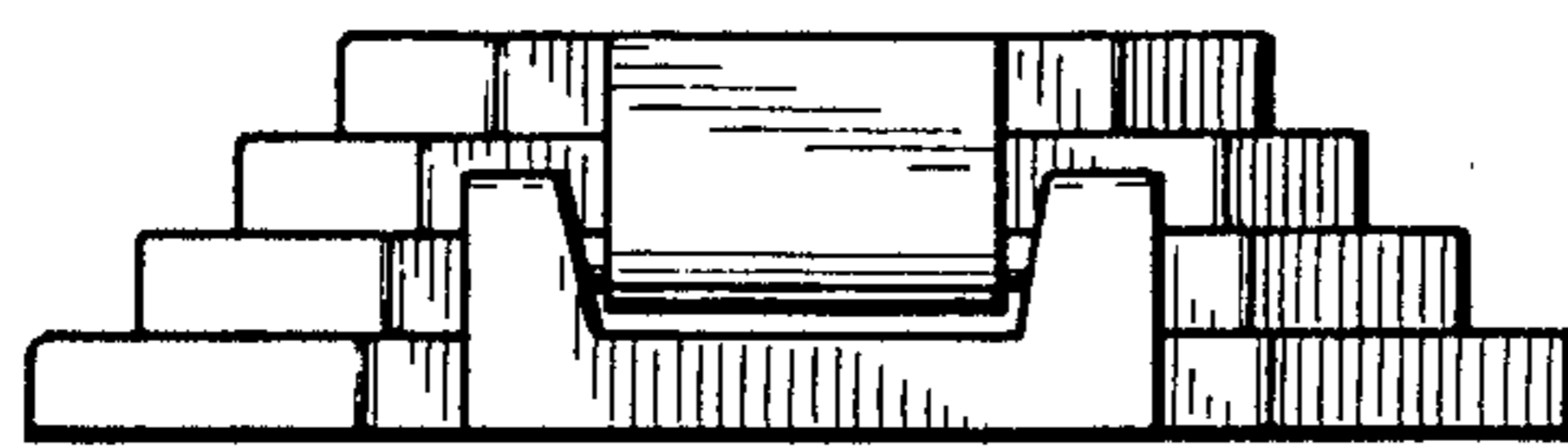


FIG. 5

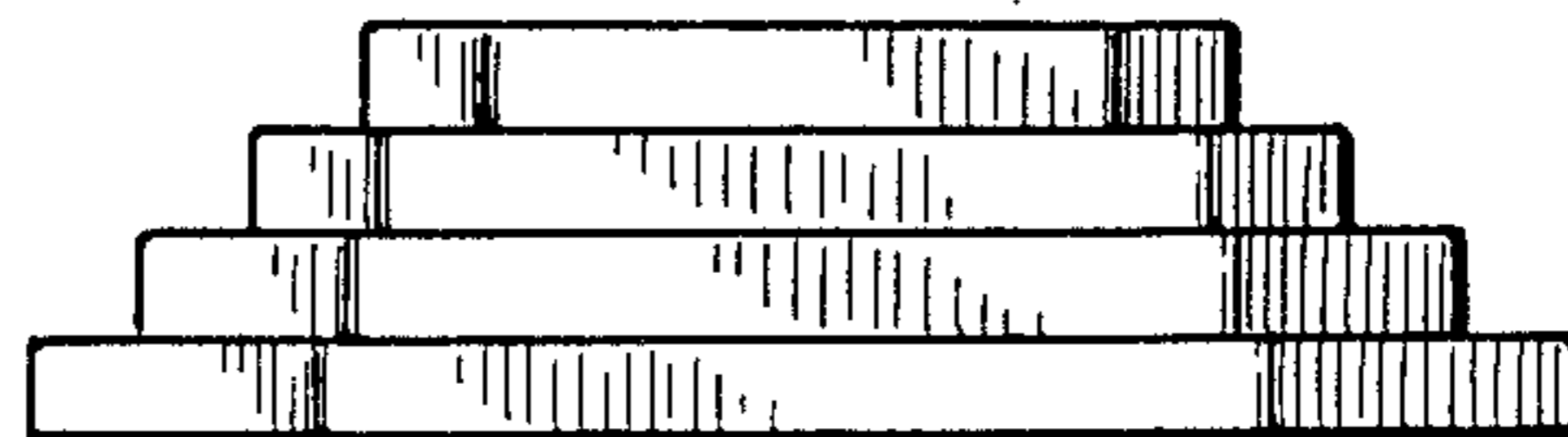


FIG. 6

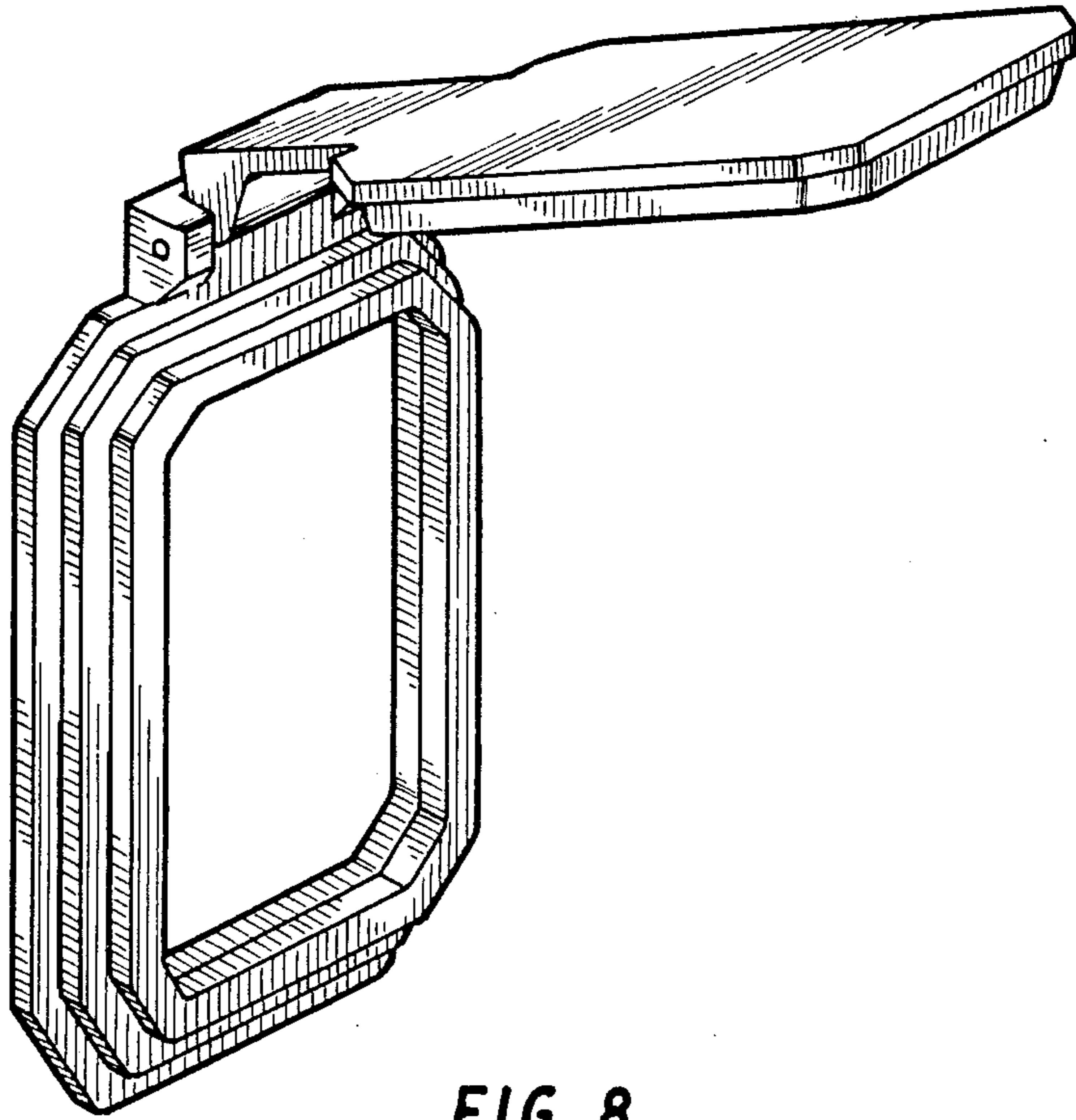


FIG. 8