

[54] **PORTABLE MASSAGER**

[75] **Inventor: Yoshikiyo Yamasaki, Osaka, Japan**

[73] **Assignee: Kabushiki Kaisha Fuji Iryoki, Osaka, Japan**

[**] **Term: 14 Years**

[21] **Appl. No.: 68,853**

[22] **Filed: Jun. 30, 1987**

[52] **U.S. Cl. D24/40; D24/36**

[58] **Field of Search D24/36, 40-42; 128/57, 59-62 R, 67, 68, 68.1, 24.1**

[56] **References Cited**

U.S. PATENT DOCUMENTS

- D. 260,430 8/1981 Grube D24/41
- D. 299,169 12/1988 Hall D24/36
- D. 299,863 2/1989 Noble et al. D24/41

4,210,134 7/1980 Okazaki et al. 128/24.1

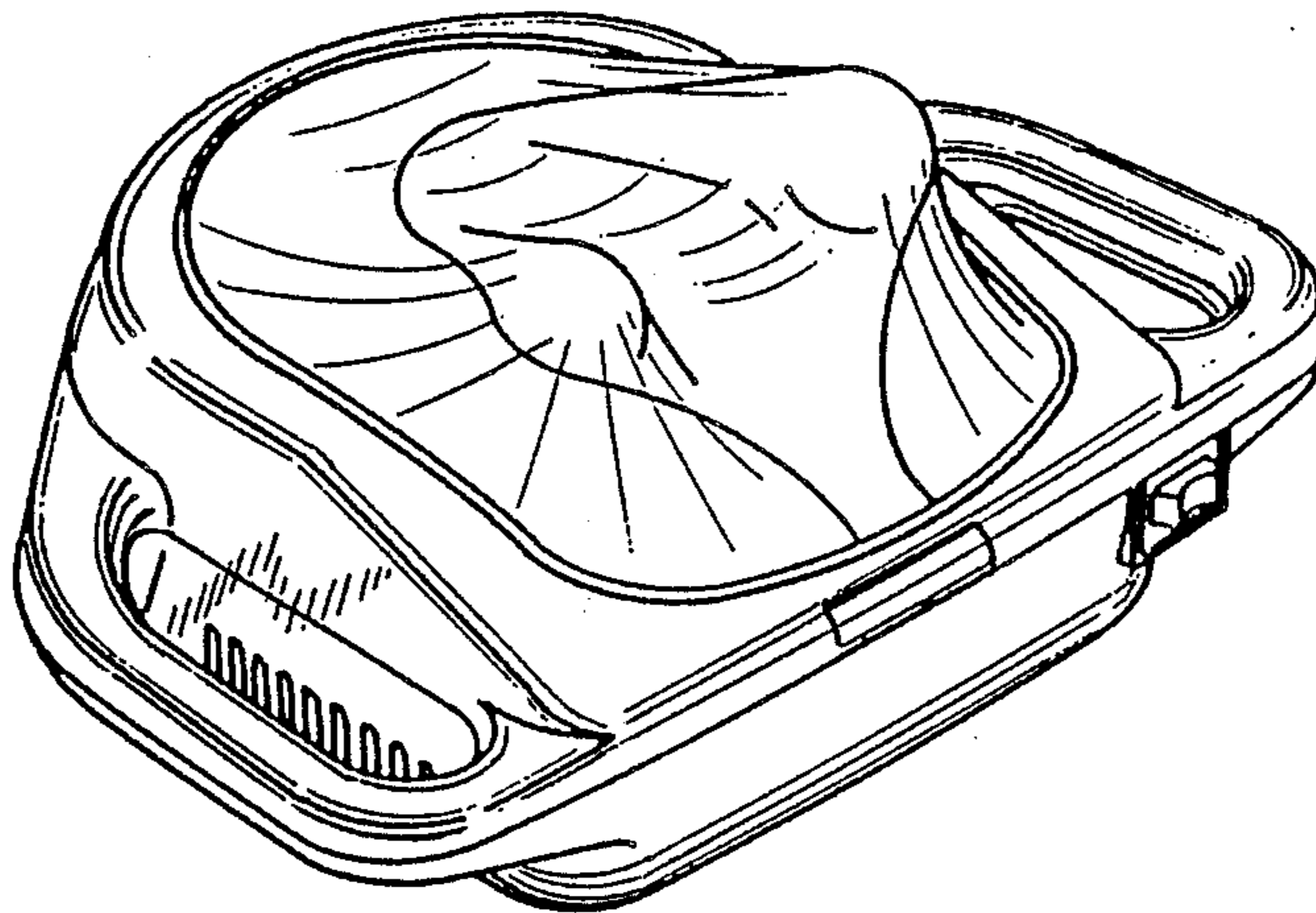
Primary Examiner—A. Hugo Word
Assistant Examiner—Stella M. Reid
Attorney, Agent, or Firm—Flynn, Thiel, Boutell & Tanis

[57] **CLAIM**

The ornamental design for a portable massager, as shown and described.

DESCRIPTION

FIG. 1 is a top plan view of a portable massager, showing my new design;
FIG. 2 is a bottom plan view thereof;
FIG. 3 is a front elevational view thereof;
FIG. 4 is a rear elevational view thereof;
FIG. 5 is a right end elevational view thereof;
FIG. 6 is a left end elevational view thereof;
FIG. 7 is a perspective view thereof; and
FIG. 8 is a cross-sectional view thereof, taken along line 8—8 of FIG. 1.



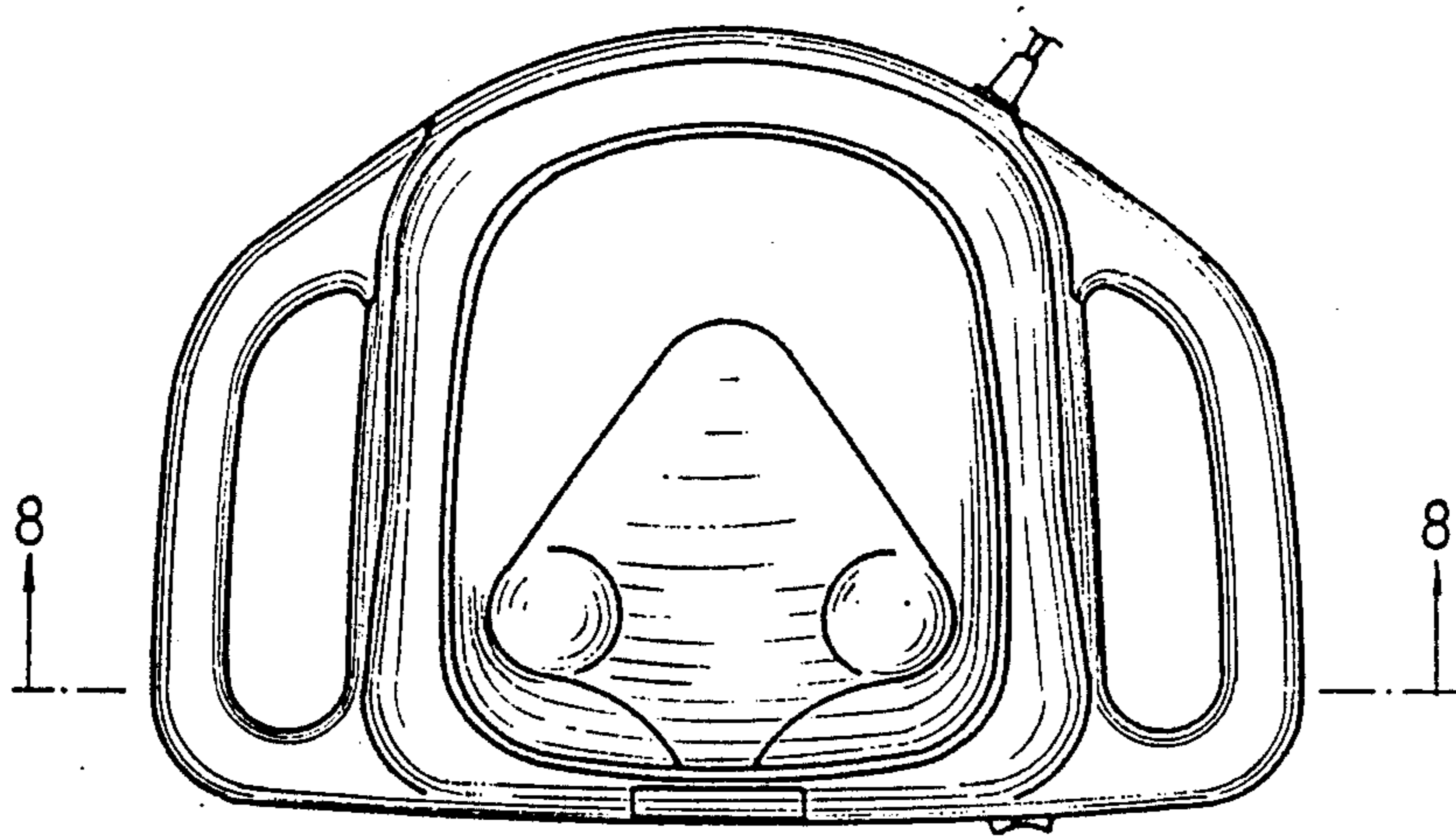


FIG. 1

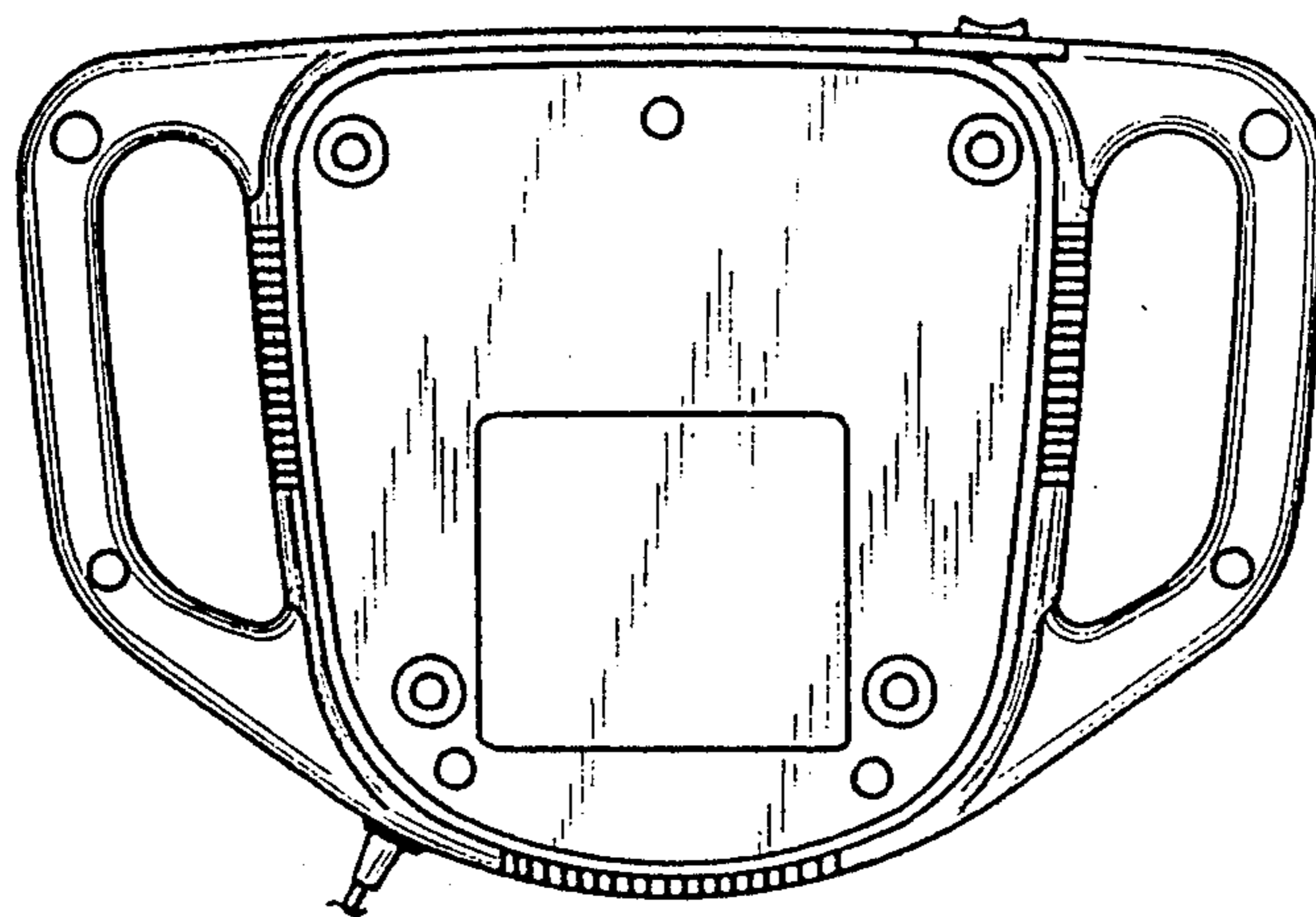


FIG. 2

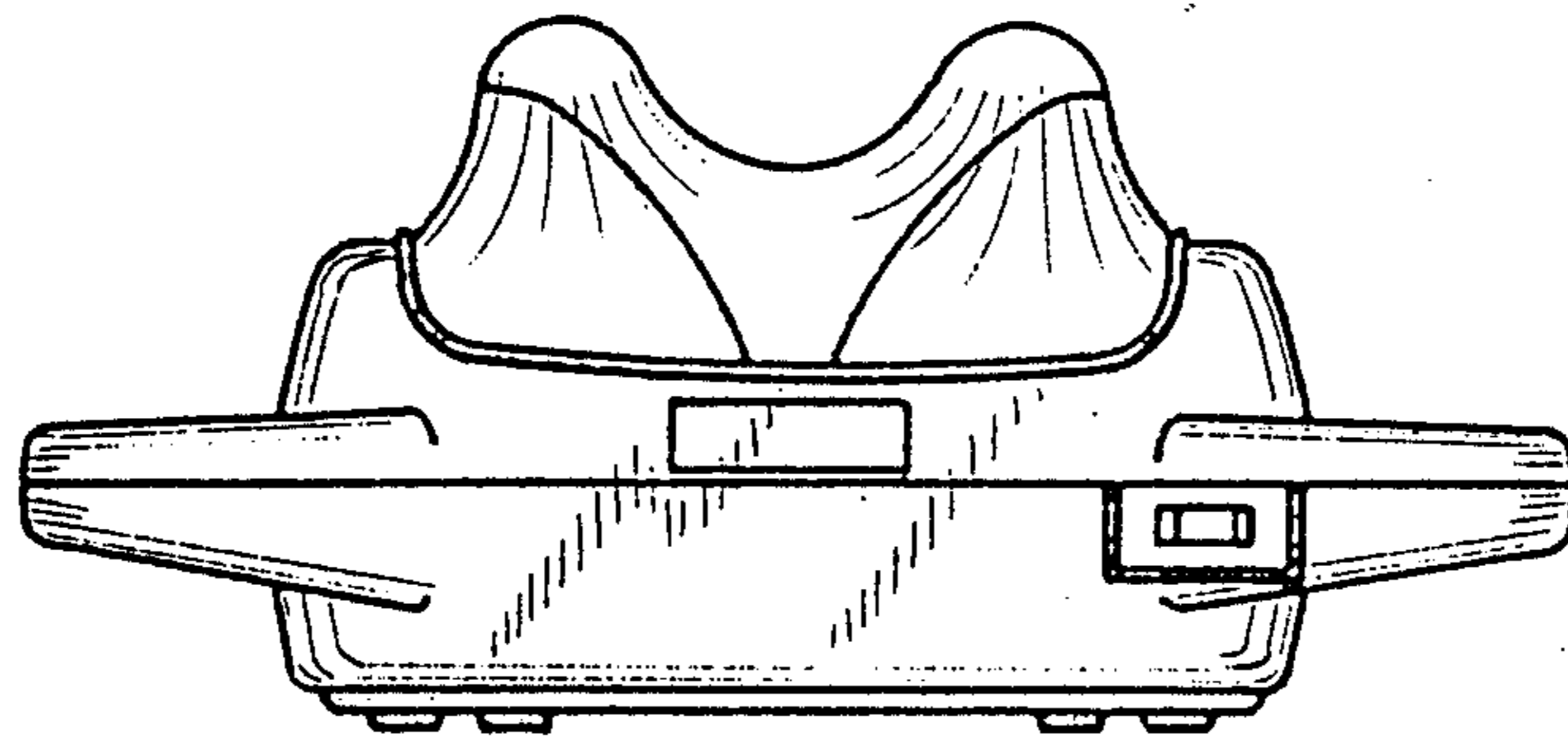


FIG. 3

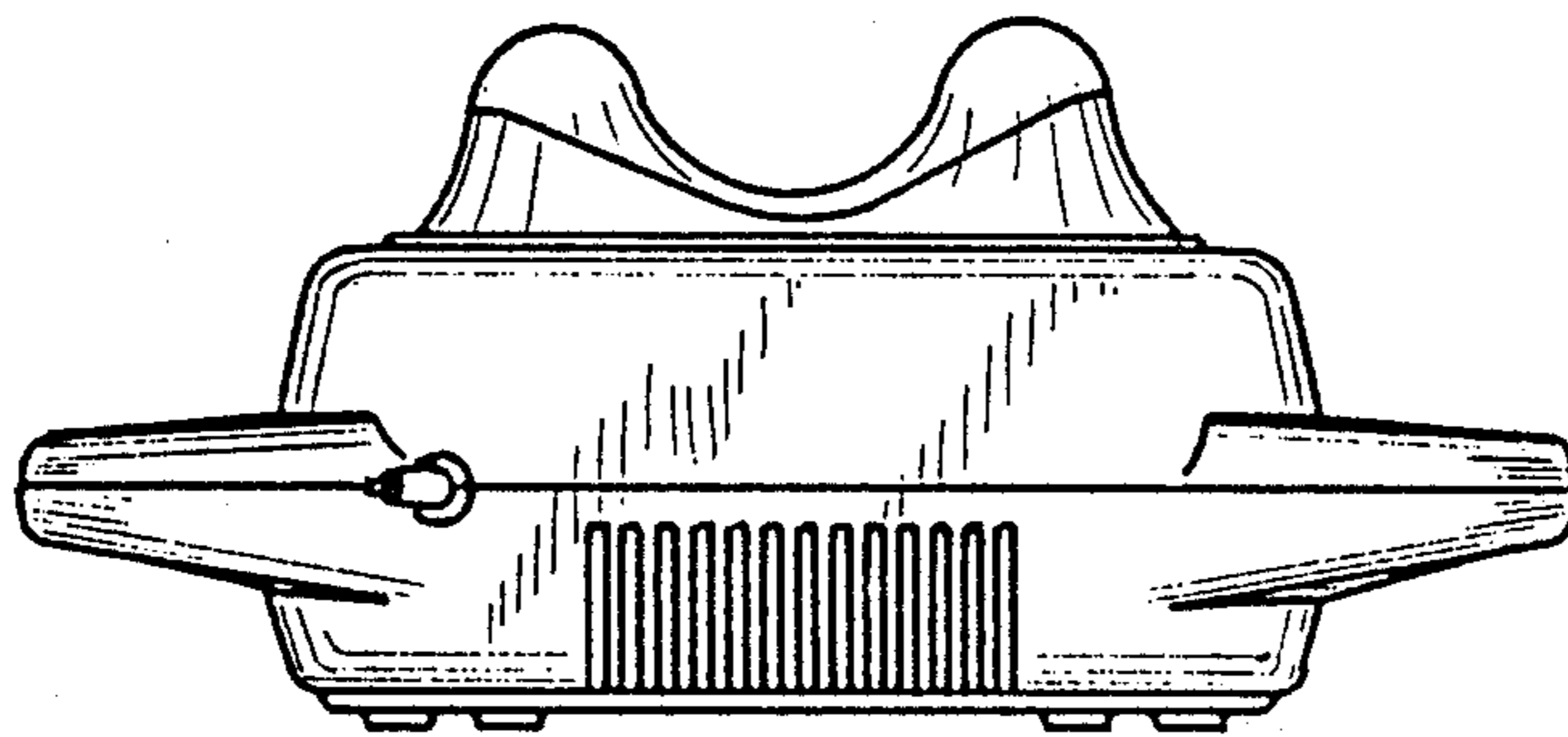


FIG. 4

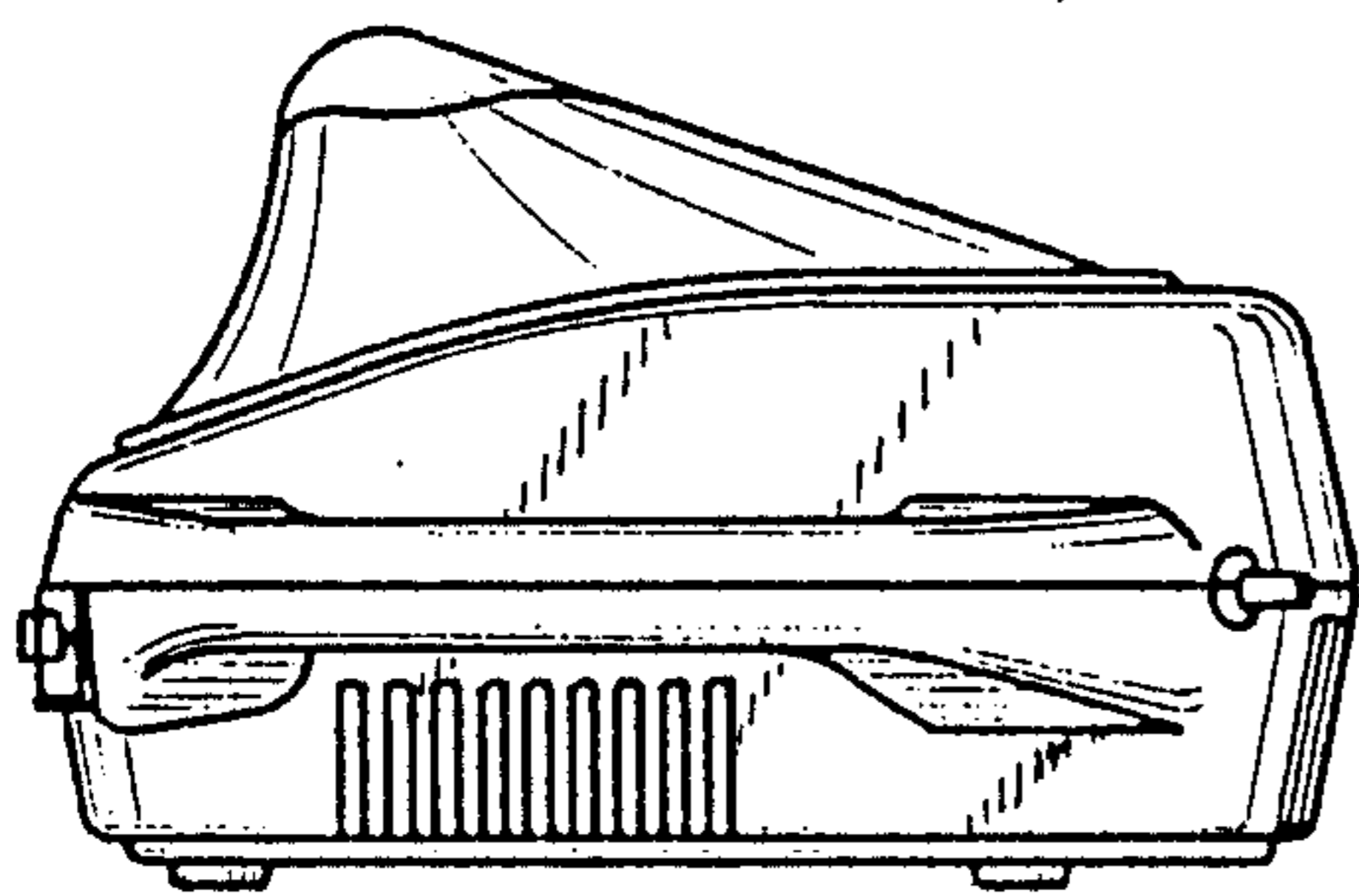


FIG. 5

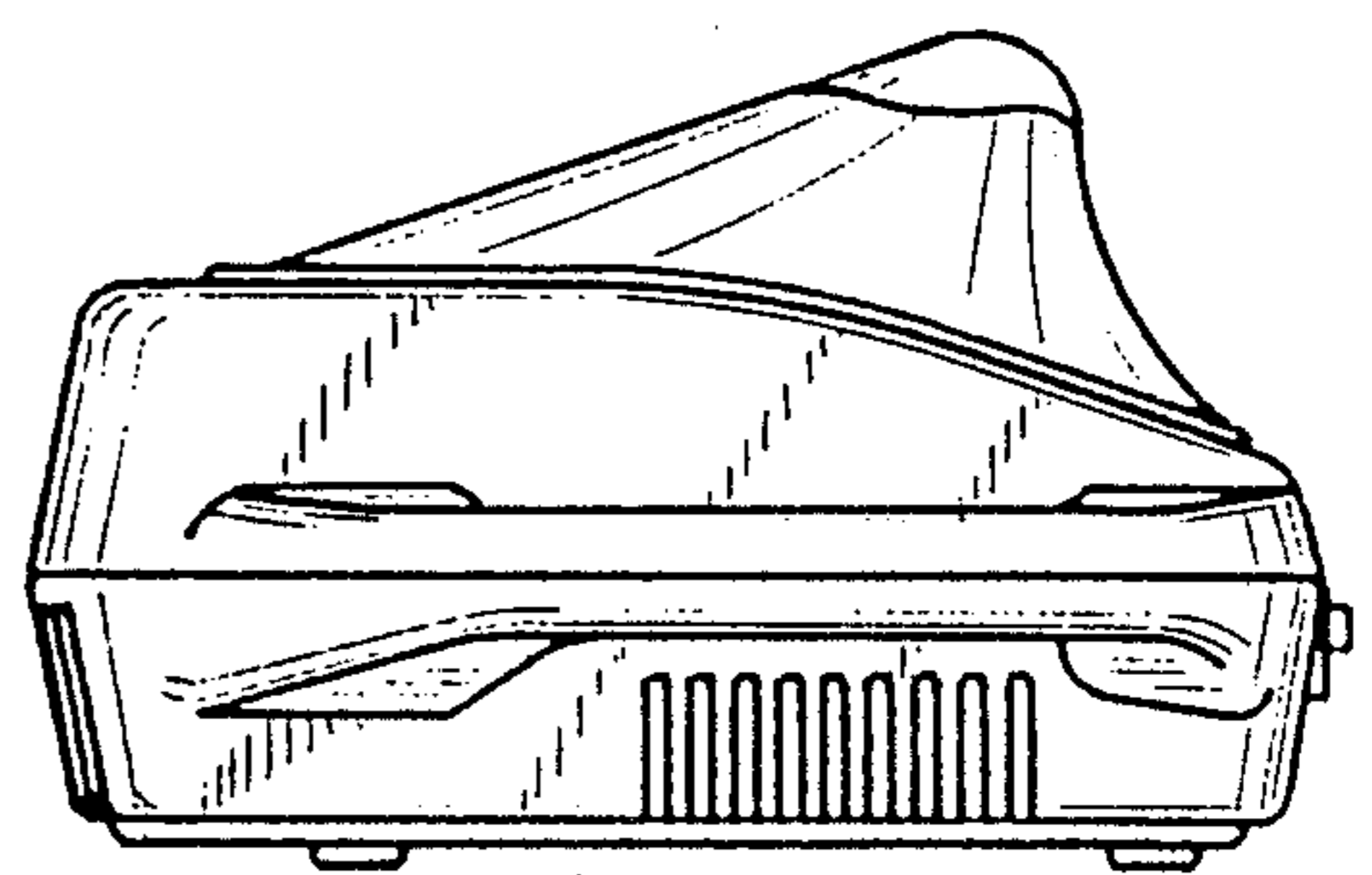


FIG. 6

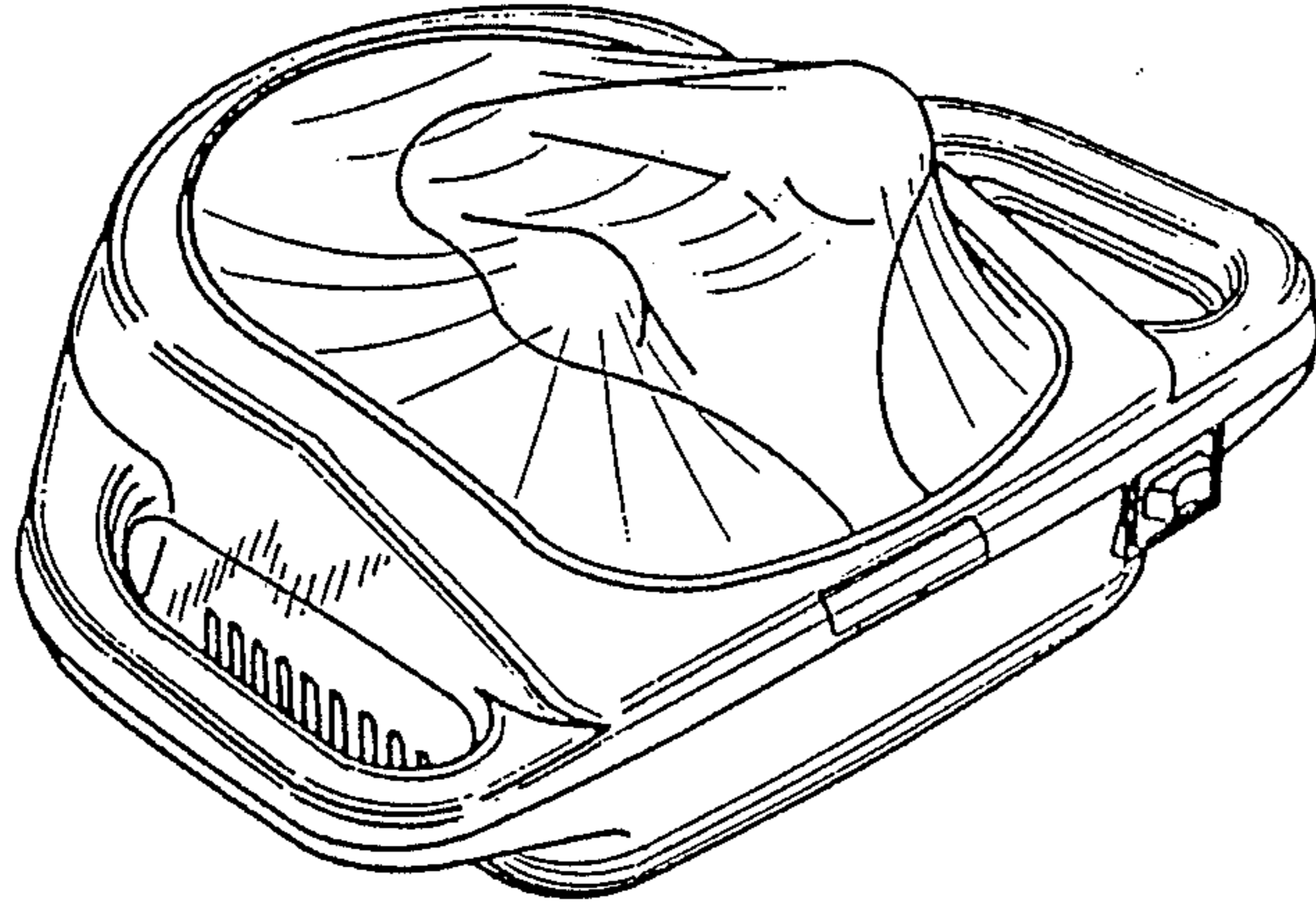


FIG. 7

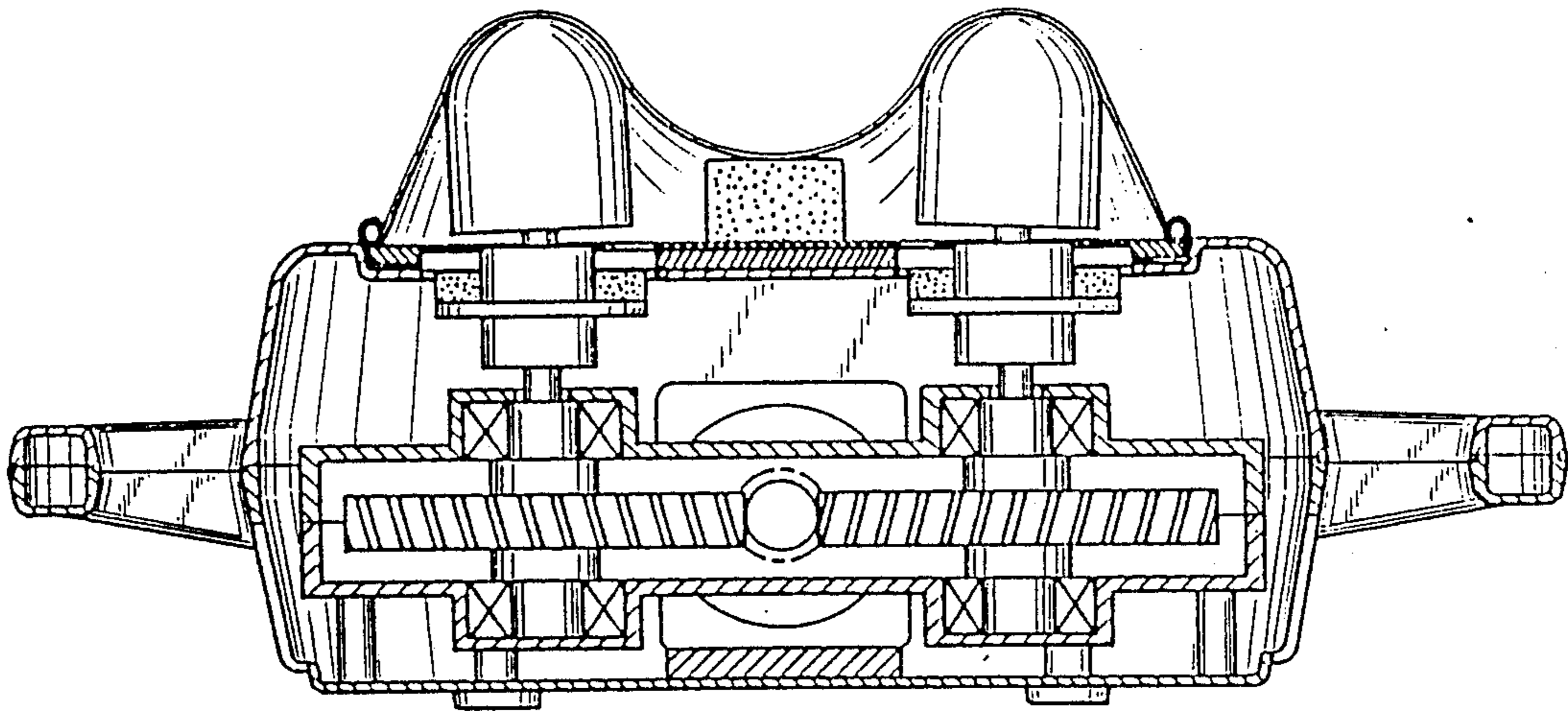


FIG. 8