

[54] SPA STEP UNIT

[75] Inventors: **Ralph D'Innocente**, Pittsburg; **James R. Pauls**, Concord, both of Calif.

[73] Assignee: **Jacuzzi Whirlpool Bath**, Walnut Creek, Calif.

[\*\*] Term: **14 Years**

[21] Appl. No.: **93,386**

[22] Filed: **Sep. 4, 1987**

[52] U.S. Cl. .... **D24/38**

[58] Field of Search ..... **D24/38; 4/559, 542, 4/541, 555; D25/2, 41, 68, 69**

D. 277,409 1/1985 Elsner et al. .  
D. 280,551 9/1985 Elsner et al. .  
2,417,499 3/1947 Ille .  
3,641,593 2/1972 Goettl .

*Primary Examiner*—A. Hugo Word  
*Assistant Examiner*—Stella M. Reid  
*Attorney, Agent, or Firm*—Limbach, Limbach & Sutton

[57] **CLAIM**

The ornamental design for a Spa step unit, as shown and described.

**DESCRIPTION**

FIG. 1 is a perspective view of a Spa step unit, showing our new design, the broken line showing of the Spa is for illustrative purposes only and forms no part of the claimed design.

FIG. 2 is a top plan view thereof;

FIG. 3 is a front elevational view thereof;

FIG. 4 is a side elevational view thereof; and

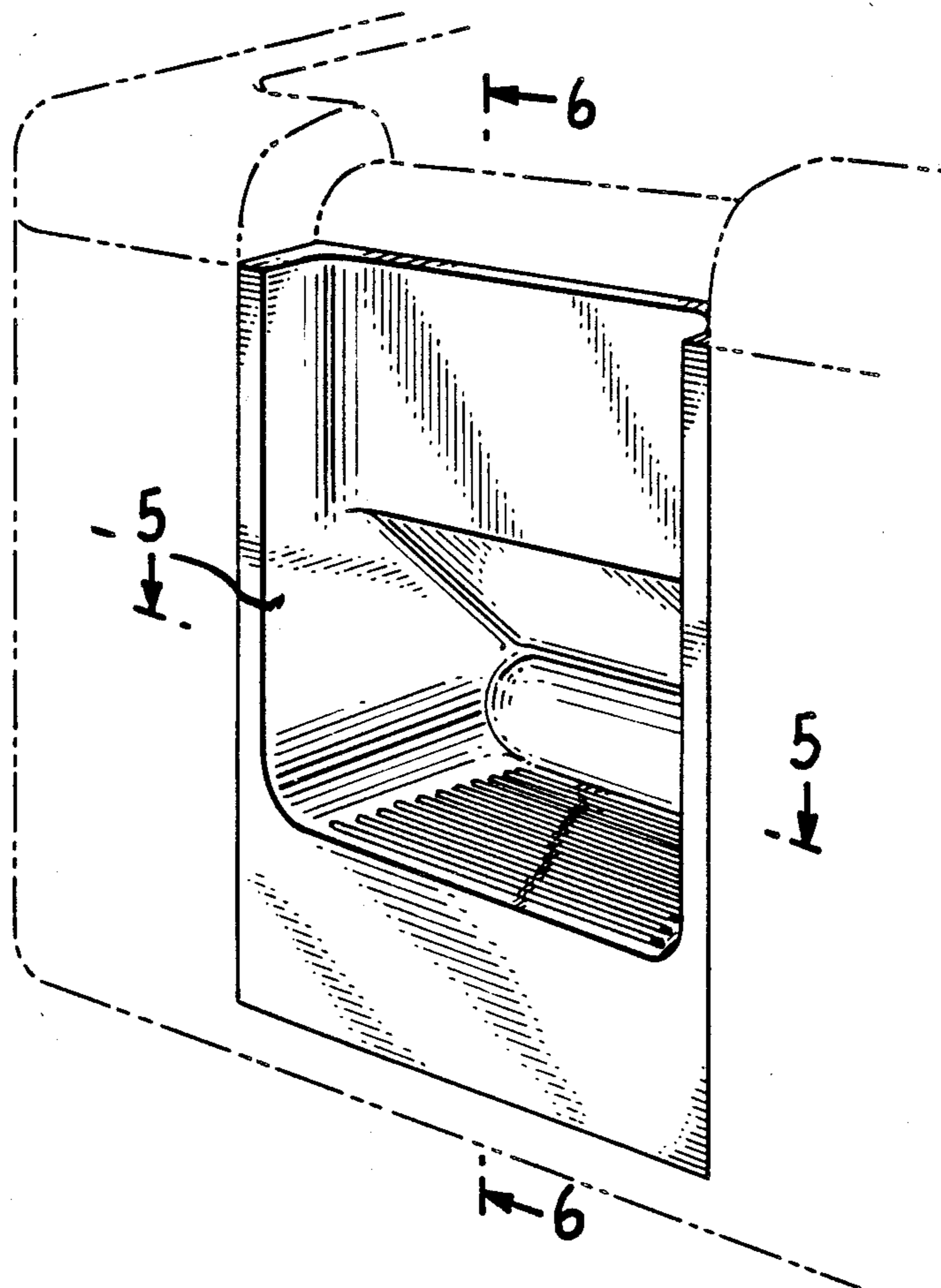
FIG. 5 is a cross-sectional view taken along line 5—5 of FIG. 1; and

FIG. 6 is a cross-sectional view taken along 6—6 of FIG. 1.

[56] **References Cited**

**U.S. PATENT DOCUMENTS**

- D. 244,452 5/1977 Ohshiro .
- D. 244,453 5/1977 Ohshiro ..... D25/2
- D. 265,345 7/1982 Doman .
- D. 267,272 12/1982 Doman et al. .
- D. 270,567 9/1983 Conlin ..... D24/38
- D. 271,137 10/1983 Kohler, Jr. et al. .
- D. 277,135 1/1985 Sullivan ..... D24/38



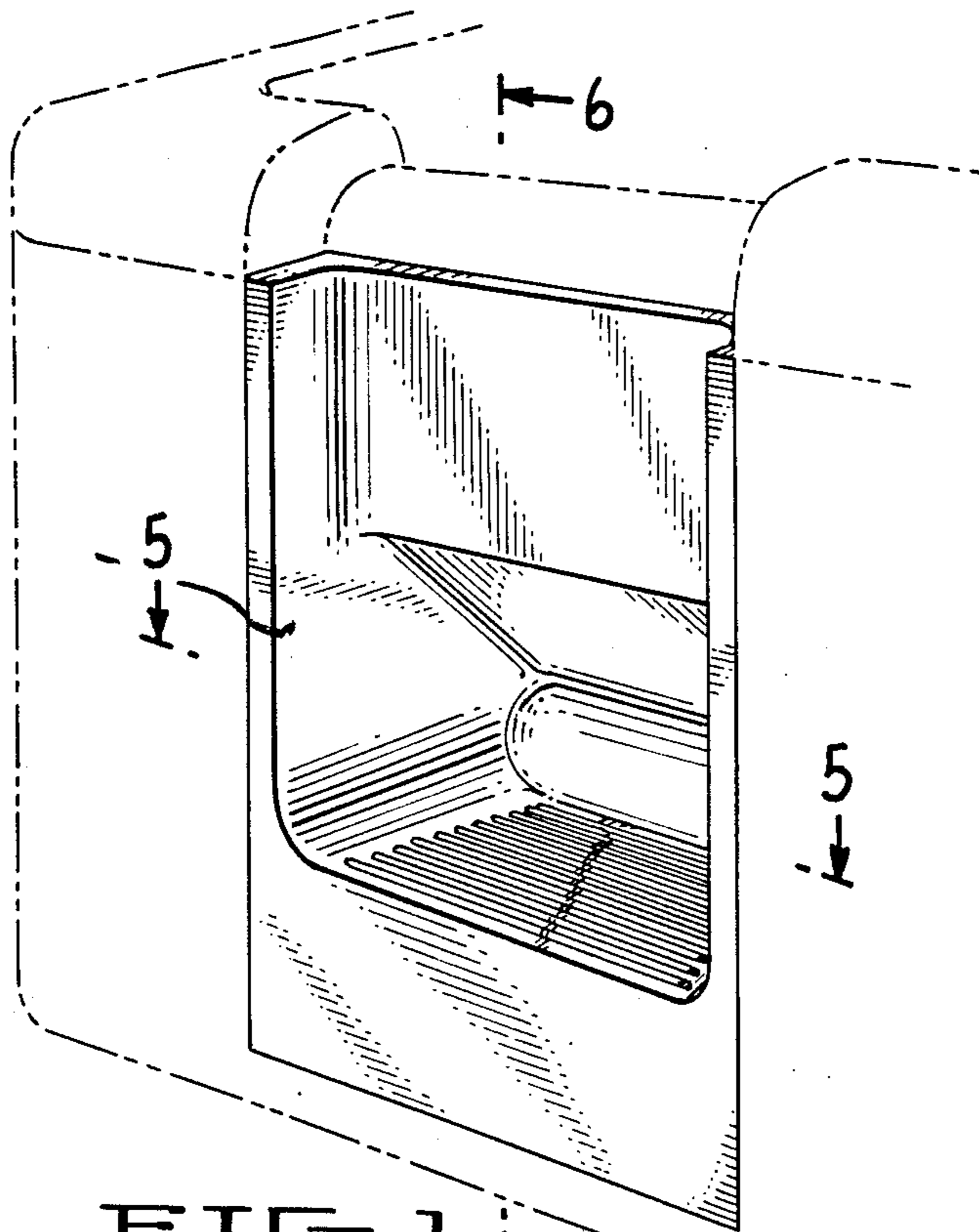


FIG. 1

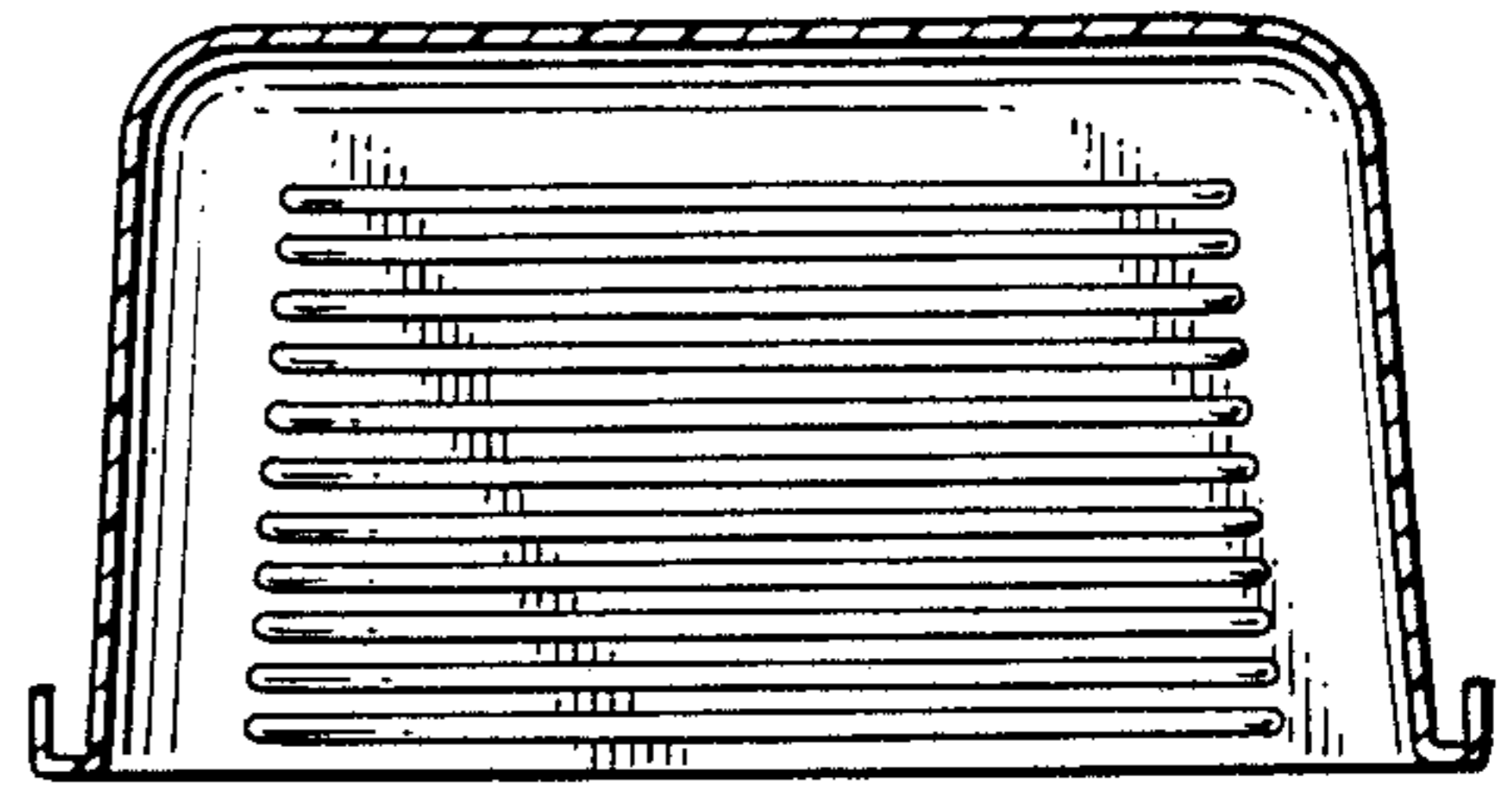


FIG. 5

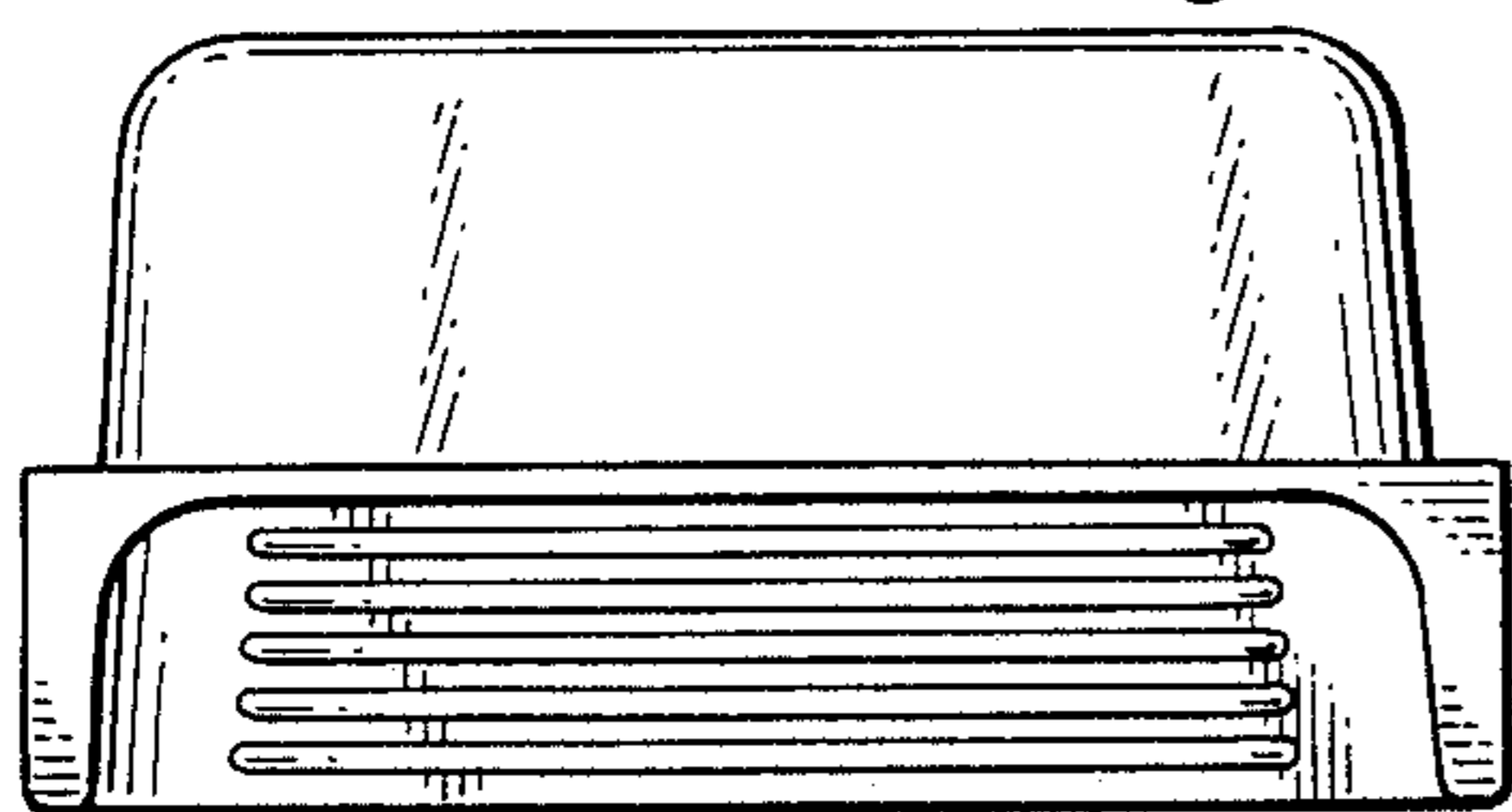


FIG. 2

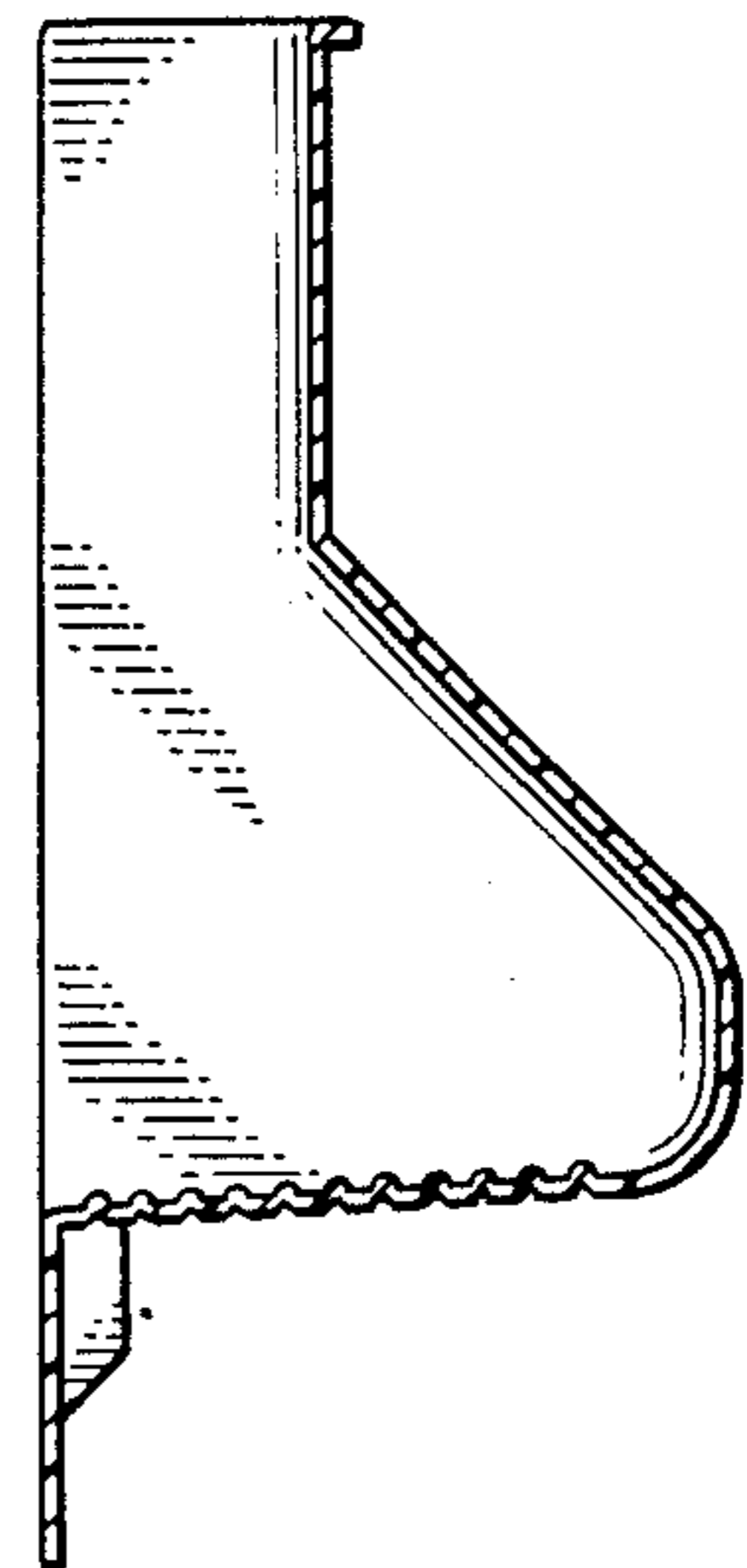


FIG. 6

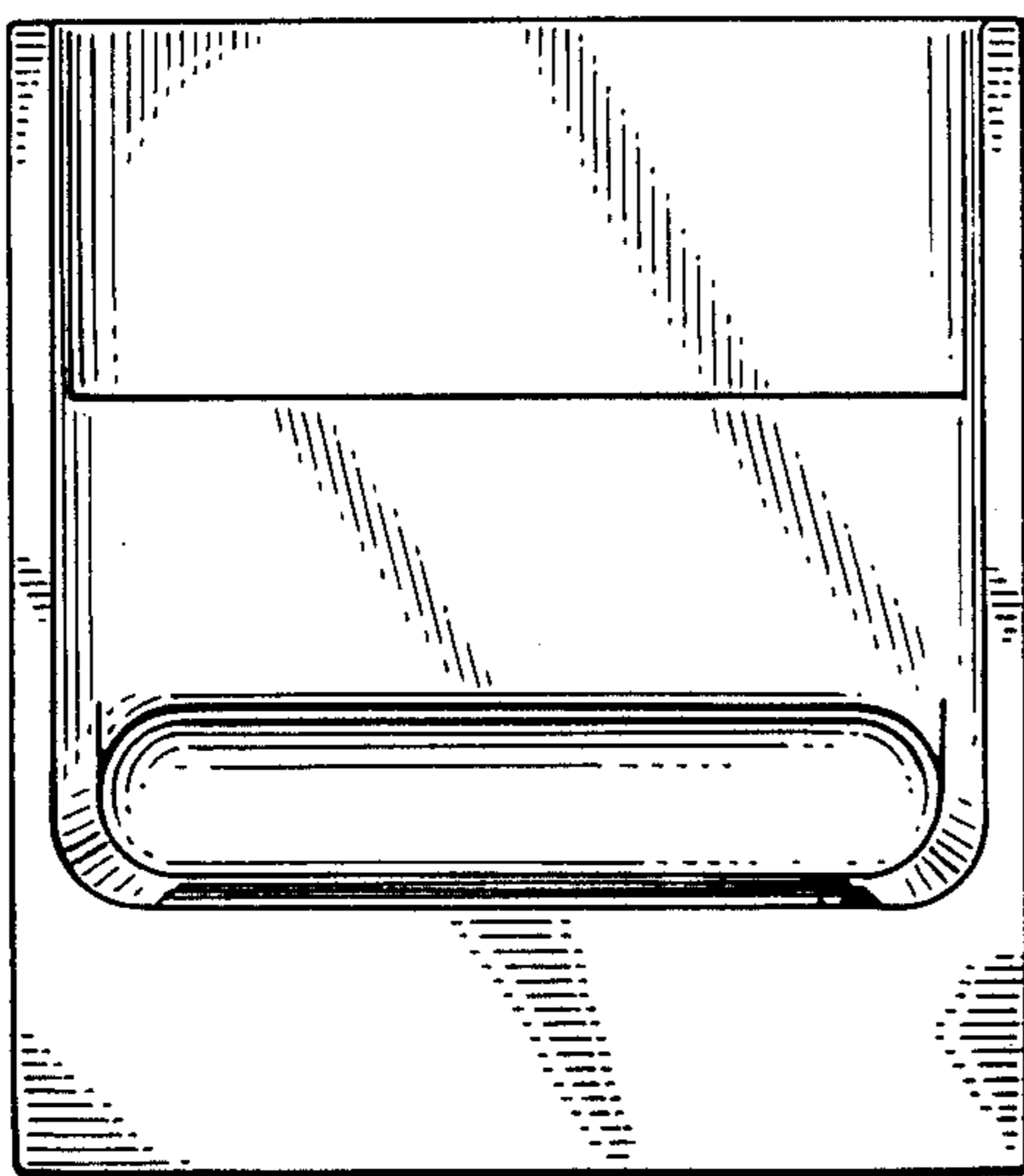


FIG. 3

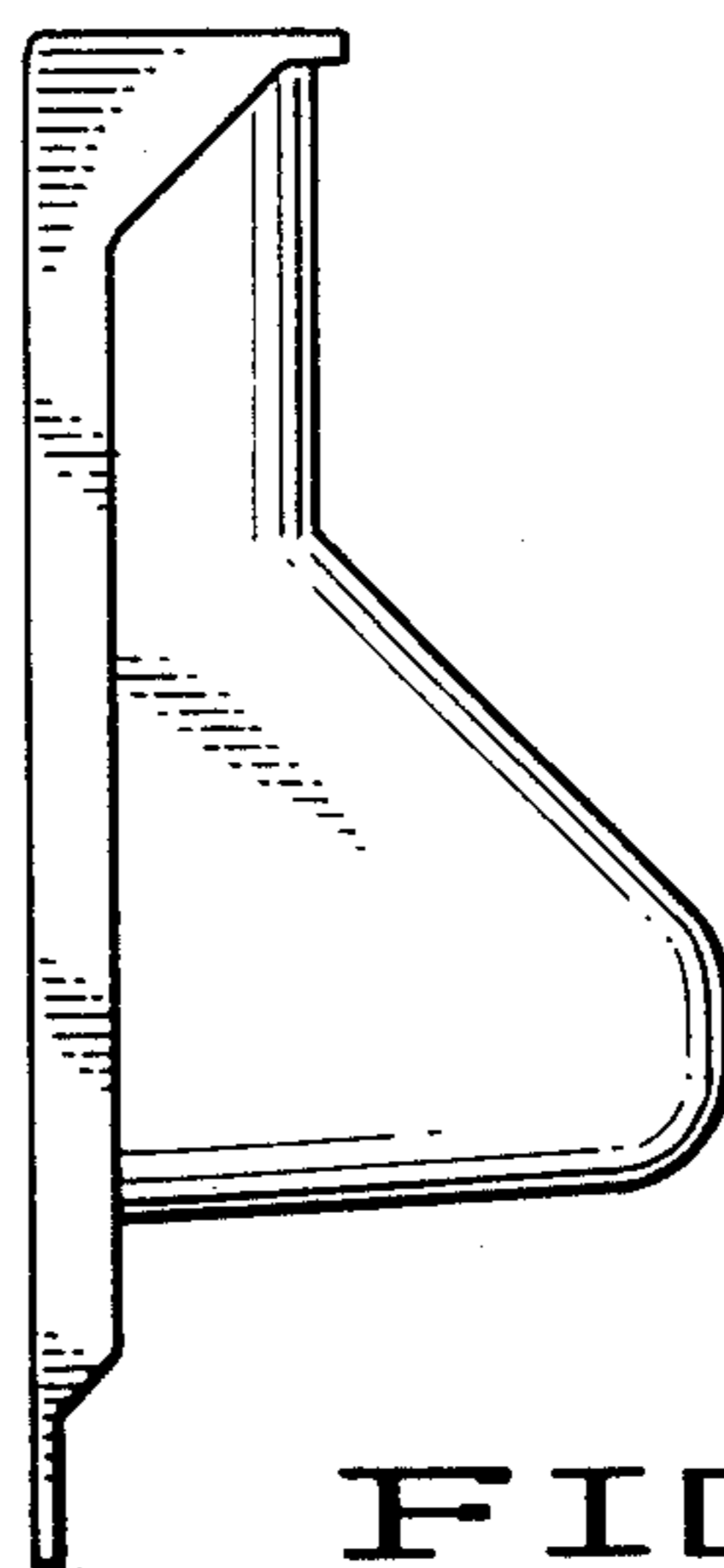


FIG. 4