

[54] ROOM AIR CONDITIONER GRILL

[75] Inventors: David M. Lapychak, San Antonio, Tex.; James D. Alsup, Jr.; James B. Watson, both of Conyers, Ga.; Edwin G. Gullet, Fayetteville, Ga.

[73] Assignee: Friedrich Air Conditioning & Refrigeration Co., San Antonio, Tex.

[**] Term: 14 Years

[21] Appl. No.: 247,307

[22] Filed: Sep. 21, 1988

[52] U.S. Cl. D23/354

[58] Field of Search D23/351, 353, 354; 62/262; 98/94.2

[56] References Cited

U.S. PATENT DOCUMENTS

D. 267,338	12/1982	Bolton et al.	D23/353
D. 284,305	6/1986	Lapychak et al.	D23/163
D. 293,713	1/1988	Morita et al.	D23/353
4,524,588	6/1985	Bond	62/262
4,633,770	1/1987	Taylor et al.	98/94.2

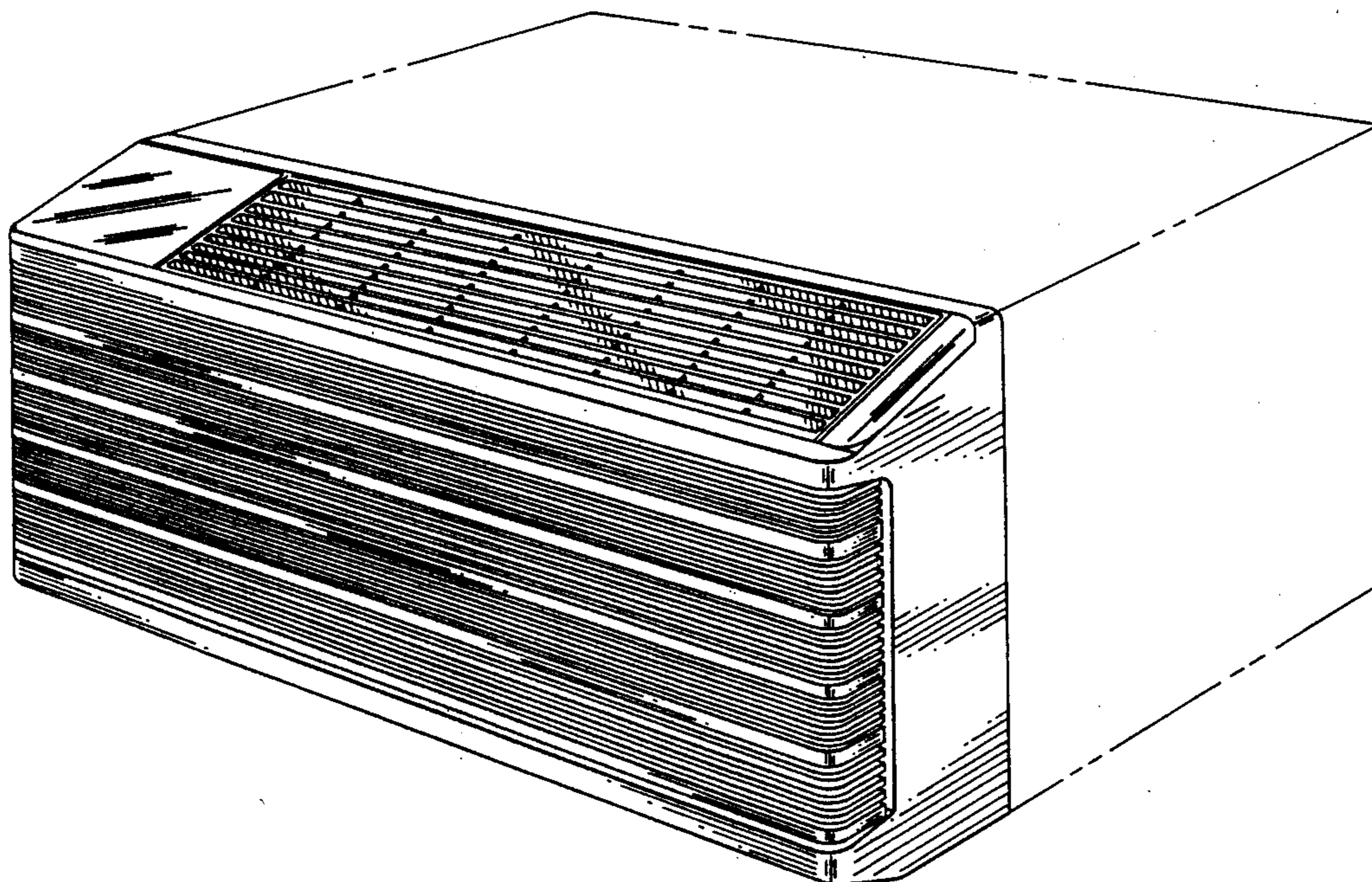
Primary Examiner—Wallace R. Burke
Assistant Examiner—Lisa Lichtenstein
Attorney, Agent, or Firm—Gunn, Lee & Miller

[57] CLAIM

The ornamental design for a room air conditioner grill, as shown and described.

DESCRIPTION

FIG. 1 is an upper perspective view of a room air conditioner grill showing our new design; FIG. 2 is an enlarged front elevation view thereof; FIG. 3 is an enlarged rear elevation view thereof; FIG. 4 is an enlarged left side elevation view thereof; FIG. 5 is an enlarged right side elevation view thereof; FIG. 6 is an enlarged top plan view thereof; FIG. 7 is an enlarged bottom plan view thereof; and FIG. 8 is a front elevation view of a room air conditioner grill showing a second embodiment of our new design, wherein the sole difference resides in the height of the grill being of indeterminate length, as indicated by being broken away in the middle. The broken line showing of a room air conditioner body in FIG. 1 is for illustrative purposes only, and forms no part of the claimed design.



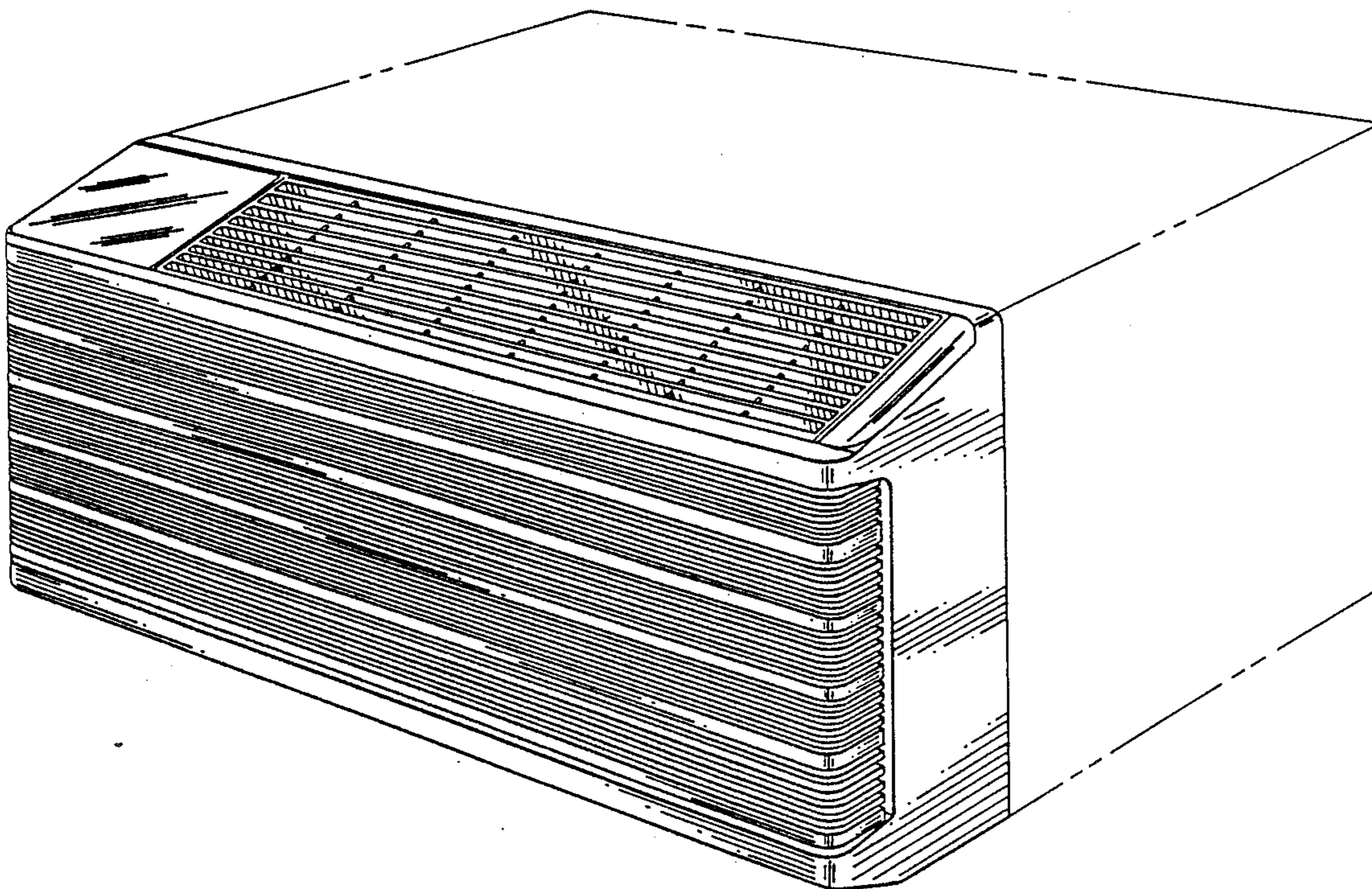


FIG. 1

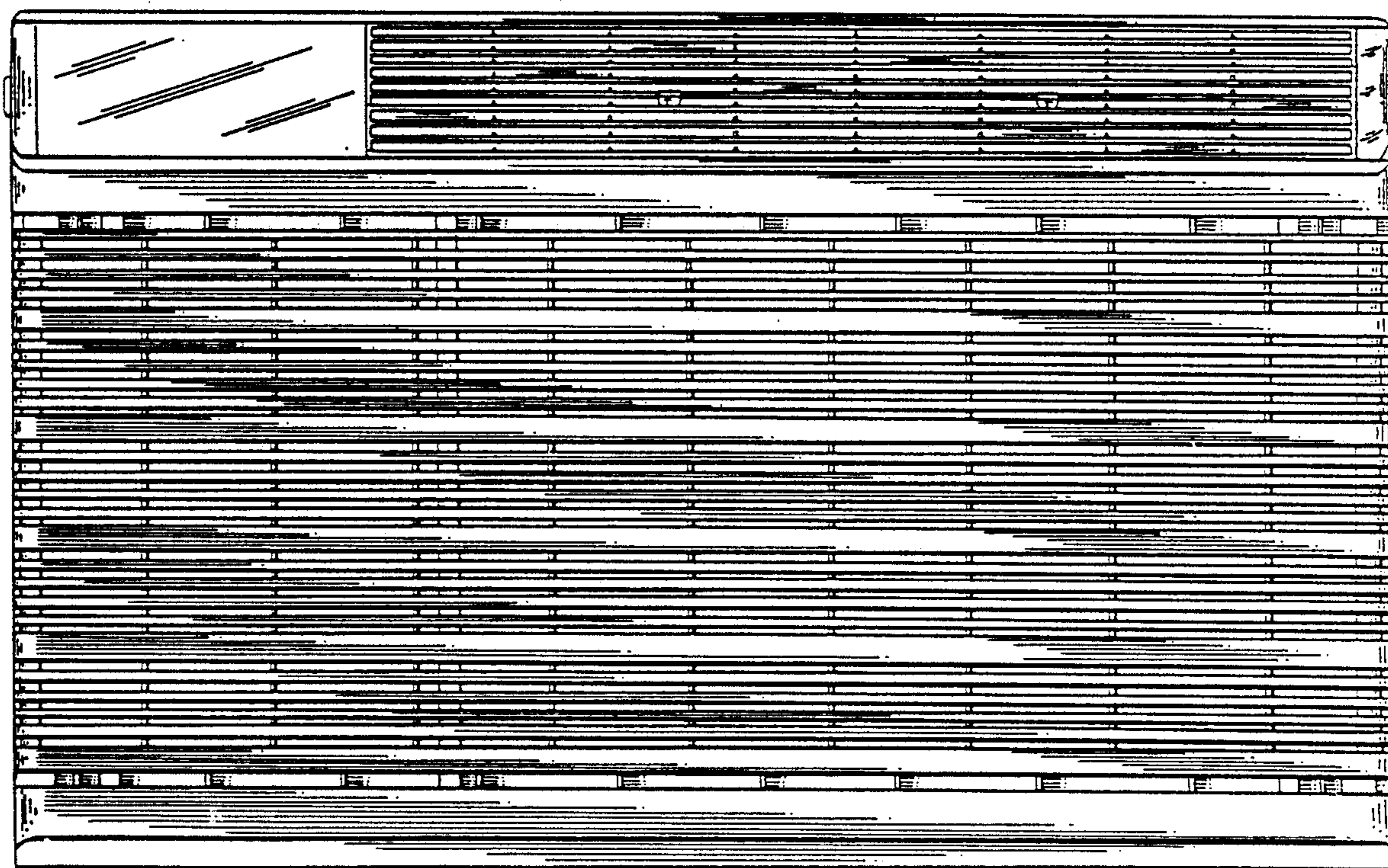


FIG. 2

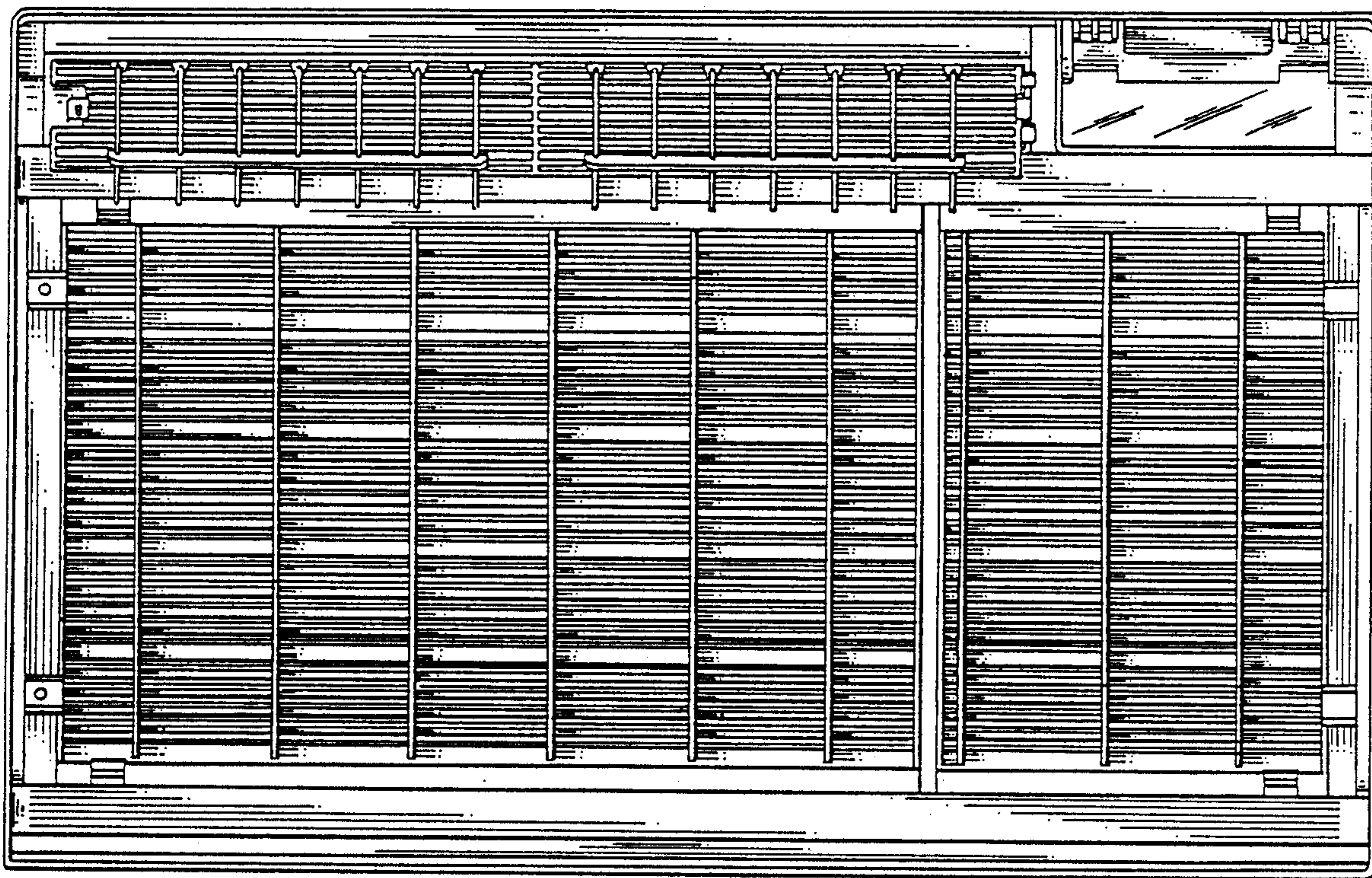


FIG. 3

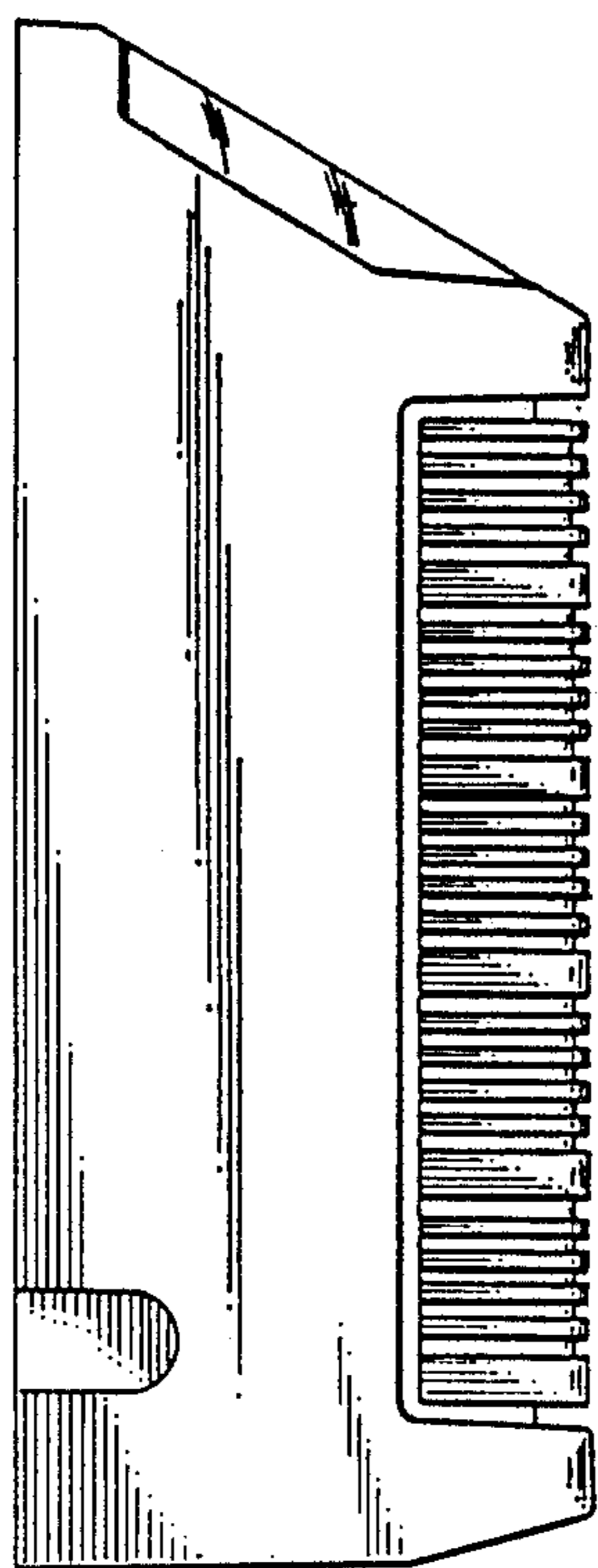


FIG. 4

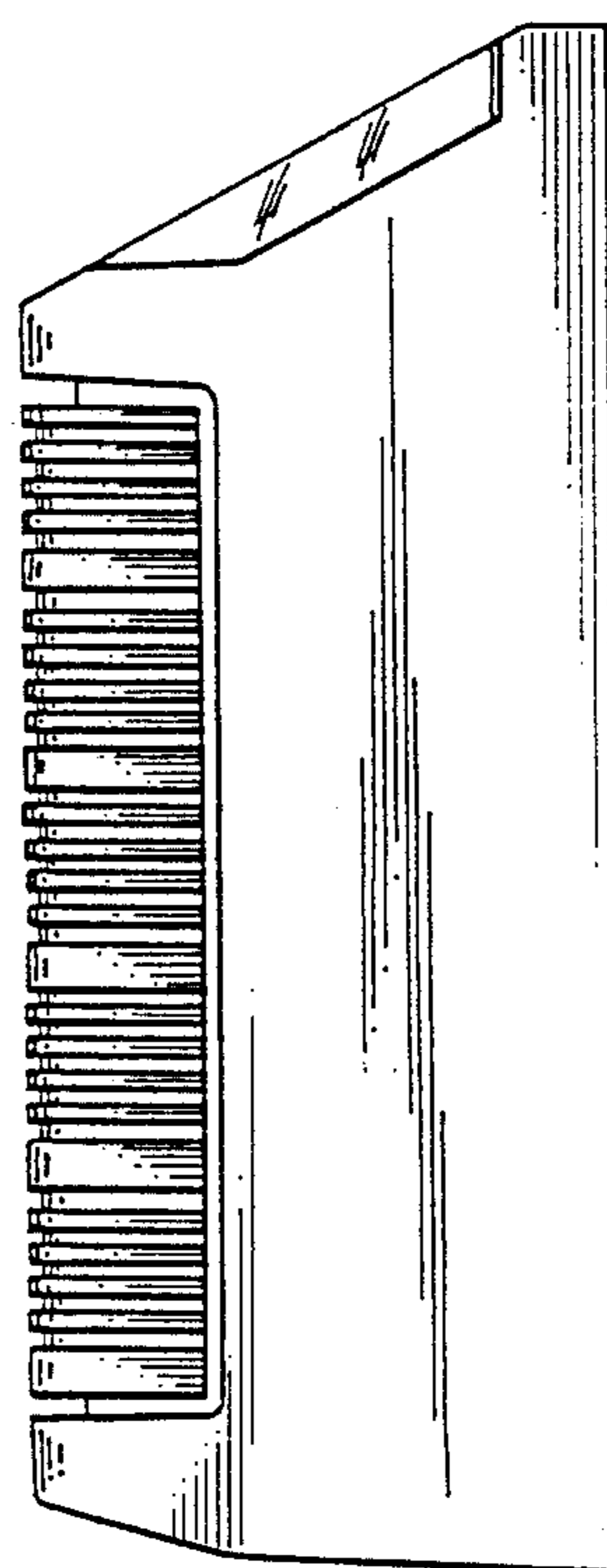


FIG. 5

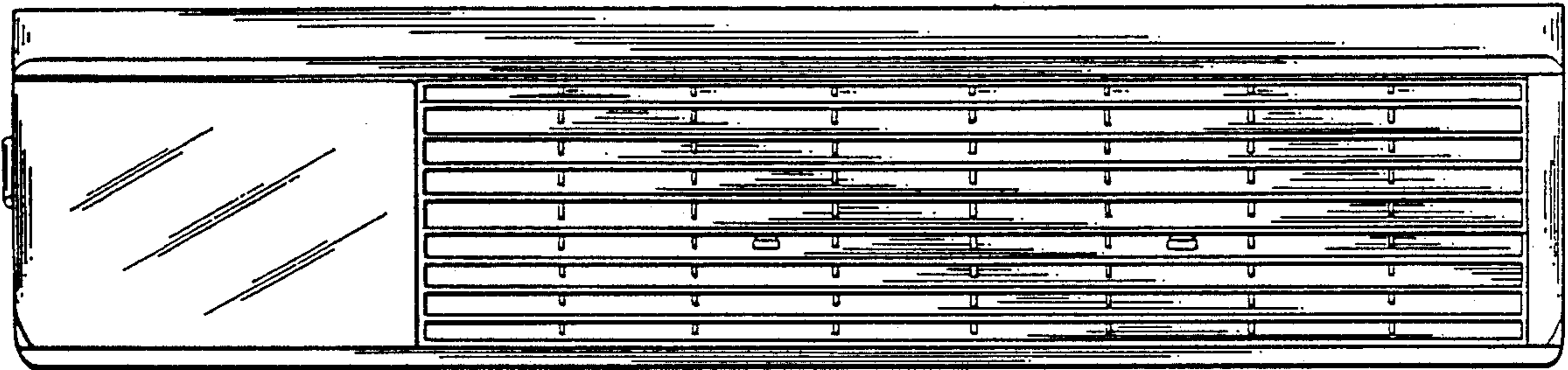


FIG. 6

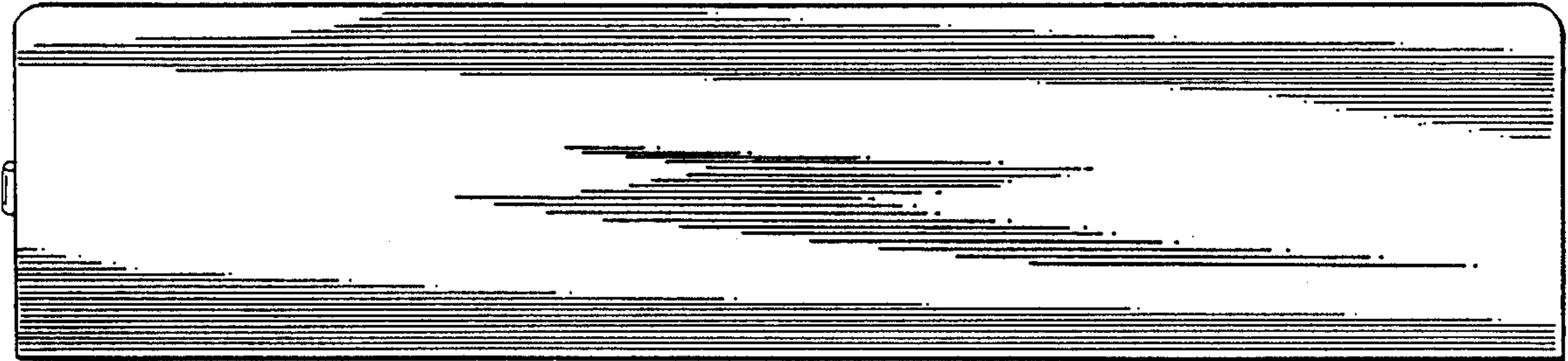


FIG. 7

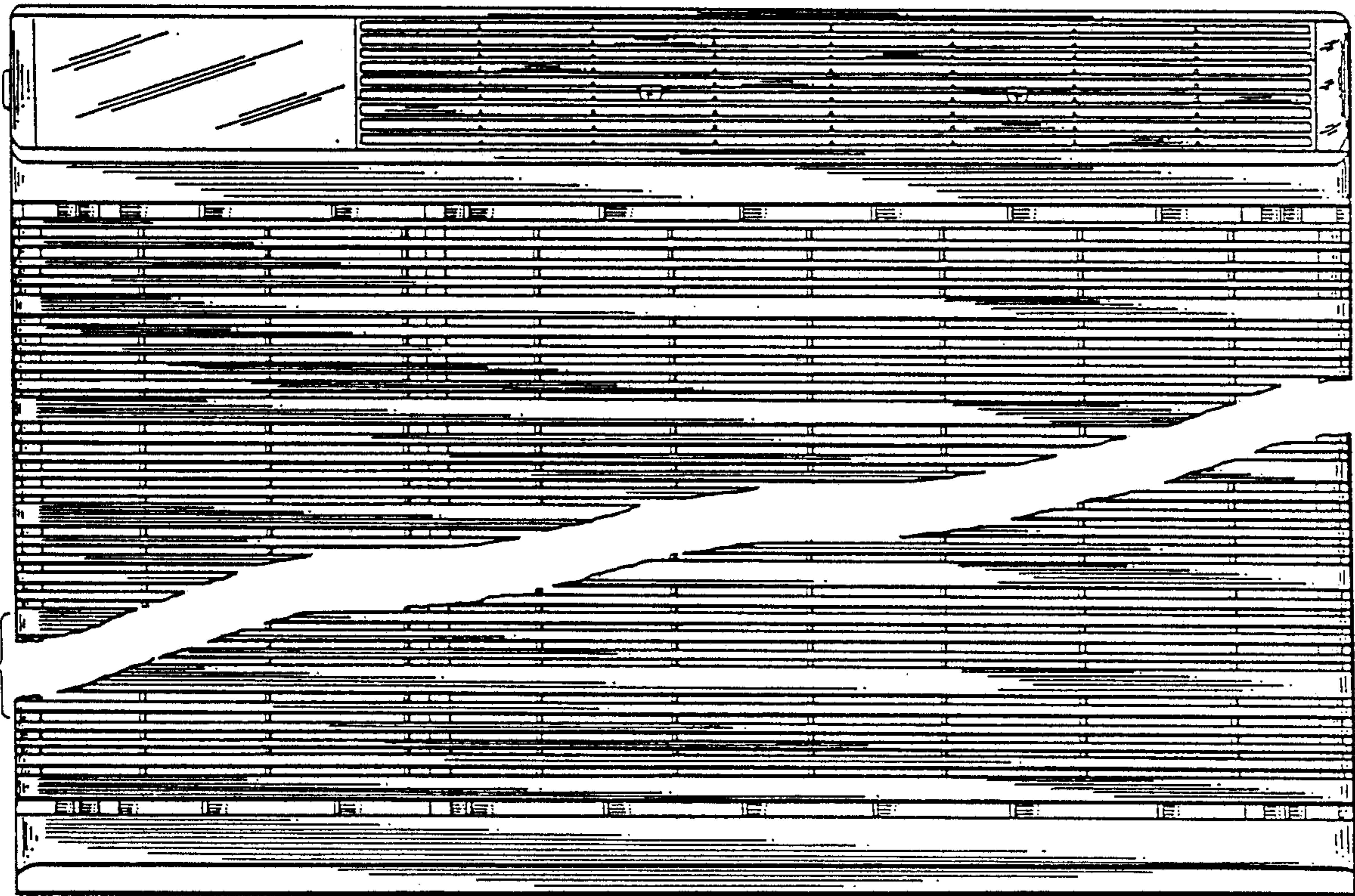


FIG. 8