

[54] ROOM AIR CONDITIONER GRILL

[75] Inventors: David M. Lapychak, San Antonio, Tex.; James D. Alsup, Jr.; James B. Watson, both of Conyers, Ga.; Edwin G. Gullet, Fayetteville, Ga.

[73] Assignee: Freidrich Air Conditioning & Refrigeration Co., San Antonio, Tex.

[**] Term: 14 Years

[21] Appl. No.: 247,302

[22] Filed: Sep. 21, 1988

[52] U.S. Cl. D23/354

[58] Field of Search D23/351, 353, 354; 62/262; 98/94.2

[56] References Cited

U.S. PATENT DOCUMENTS

| | | | |
|------------|---------|----------------------|---------|
| D. 185,887 | 8/1959 | Heidenblut | D23/353 |
| D. 284,305 | 6/1986 | Lapychak et al. | D23/163 |
| D. 288,475 | 2/1987 | Miyake et al. | D23/353 |
| 2,789,494 | 4/1957 | Goettl et al. | 62/262 |
| 3,390,542 | 7/1968 | Perry et al. | 62/262 |
| 3,438,219 | 4/1969 | Brugler | D23/353 |
| 3,584,468 | 6/1971 | Crise | 62/262 |
| 3,699,873 | 10/1972 | Irvin | 98/94.2 |
| 4,733,543 | 3/1988 | Blair | D23/351 |

OTHER PUBLICATIONS

Hunter Fan Co. advertising flyer, ©1986, front side of page, Toteaway Air Conditioner, middle of page.

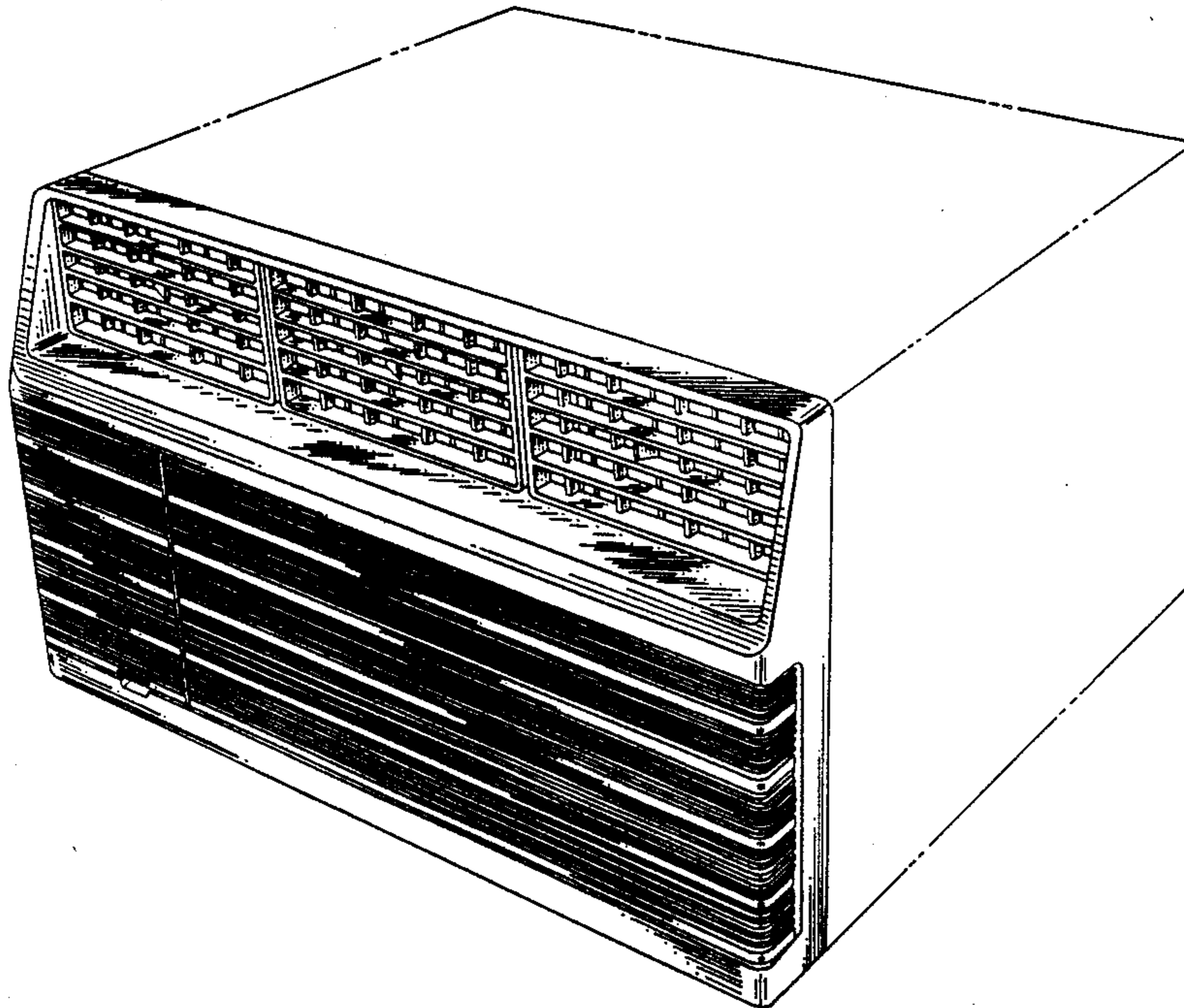
Primary Examiner—James M. Gandy
Assistant Examiner—Lisa Lichtenstein
Attorney, Agent, or Firm—Gunn, Lee & Miller

[57] CLAIM

The ornamental design for a room air conditioner grill, as shown and described.

DESCRIPTION

FIG. 1 is a top perspective view of a room air conditioner grill showing our new design; FIG. 2 is an enlarged front elevation view thereof; FIG. 3 is an enlarged rear elevation view thereof; FIG. 4 is an enlarged left side elevation view thereof; FIG. 5 is an enlarged right side elevation view thereof; FIG. 6 is an enlarged top plan view thereof; FIG. 7 is an enlarged bottom plan view thereof; and FIG. 8 is a front elevation view of a room air conditioner grill, showing a second embodiment of our new design, wherein the sole difference resides in the height of the grill being of indeterminate length, as indicated by being broken away in the middle. The broken line showing of a room air conditioner body in FIG. 1 is for illustrative purposes only, and forms no part of the claimed design.



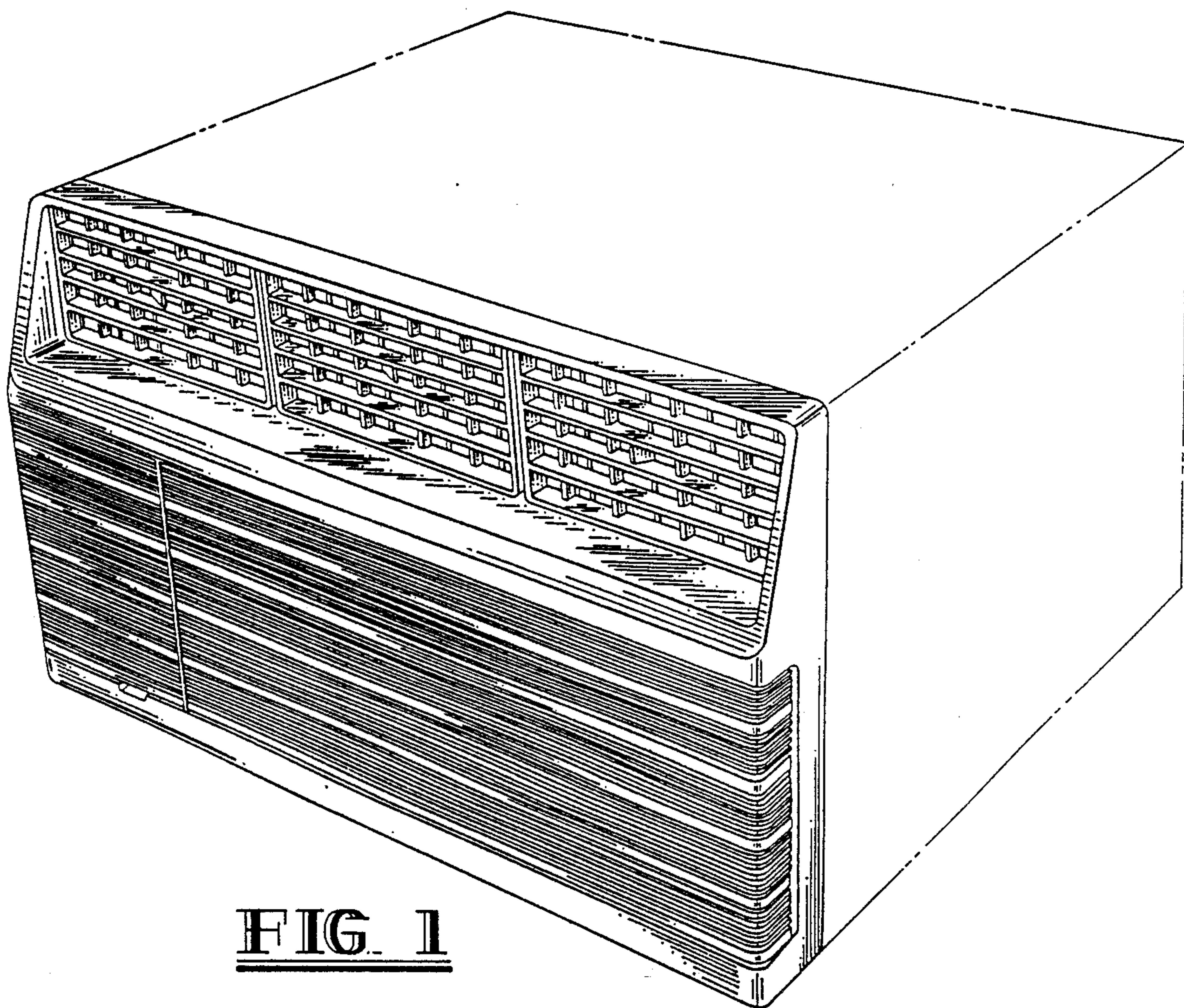


FIG. 1

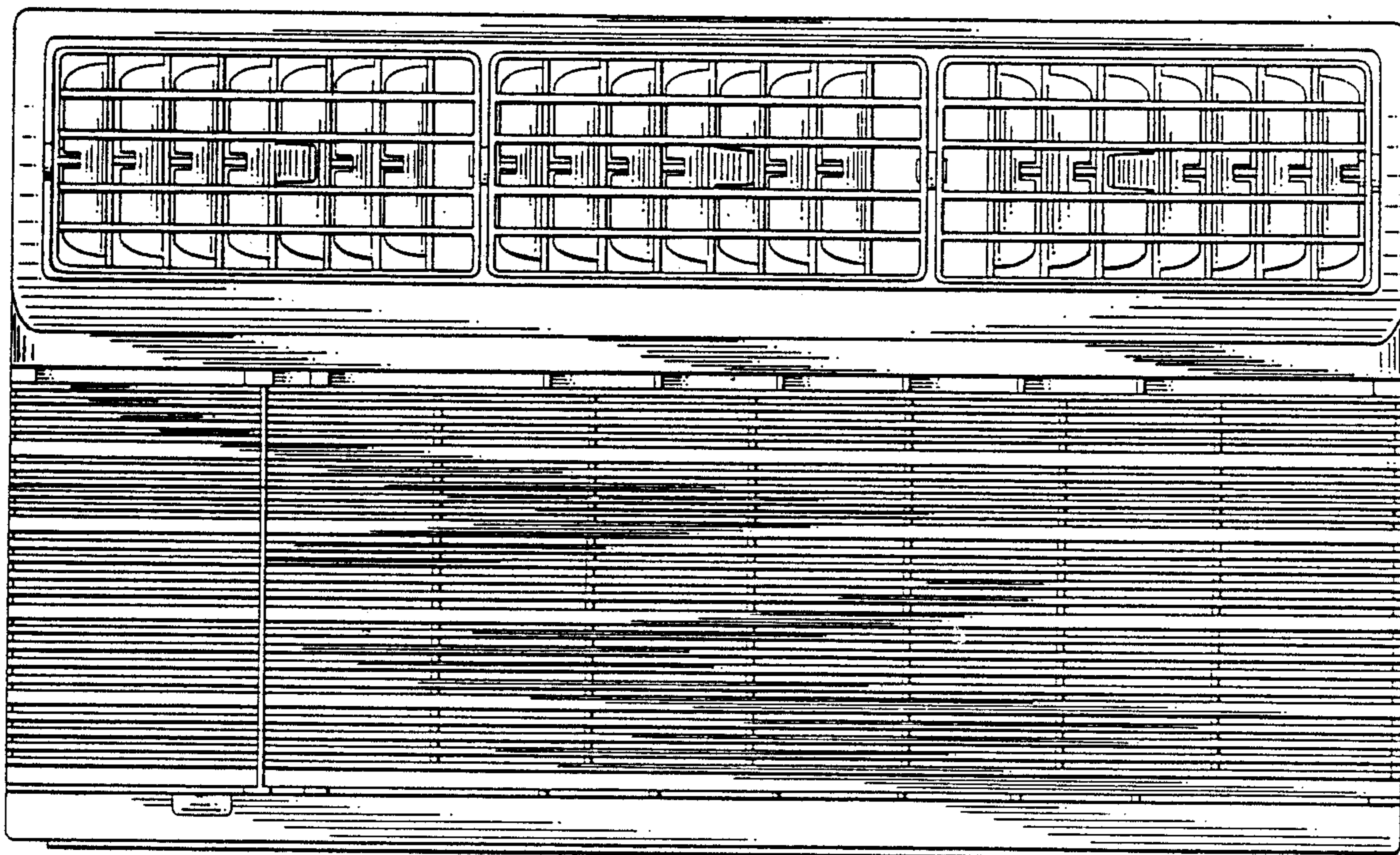


FIG. 2

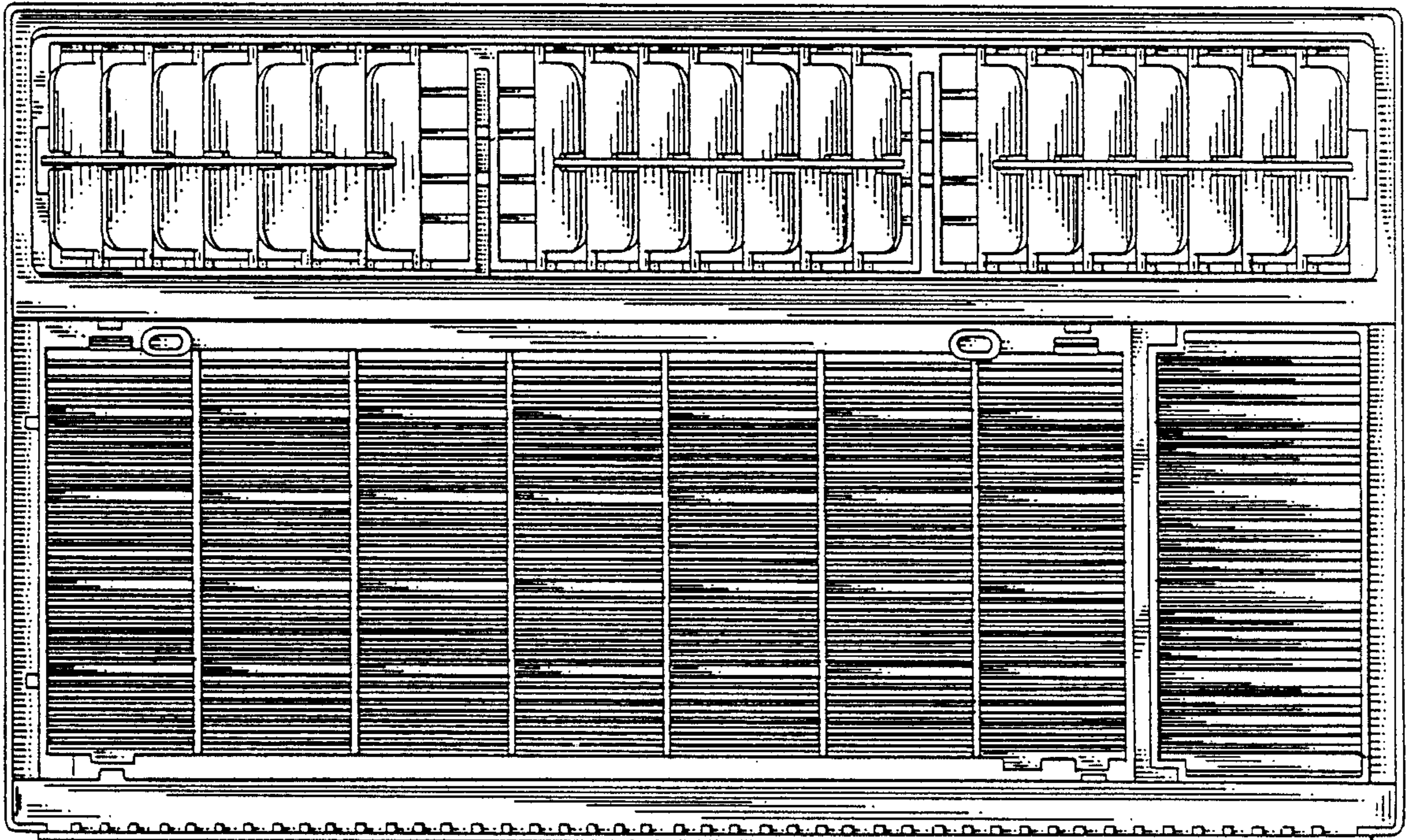


FIG. 3

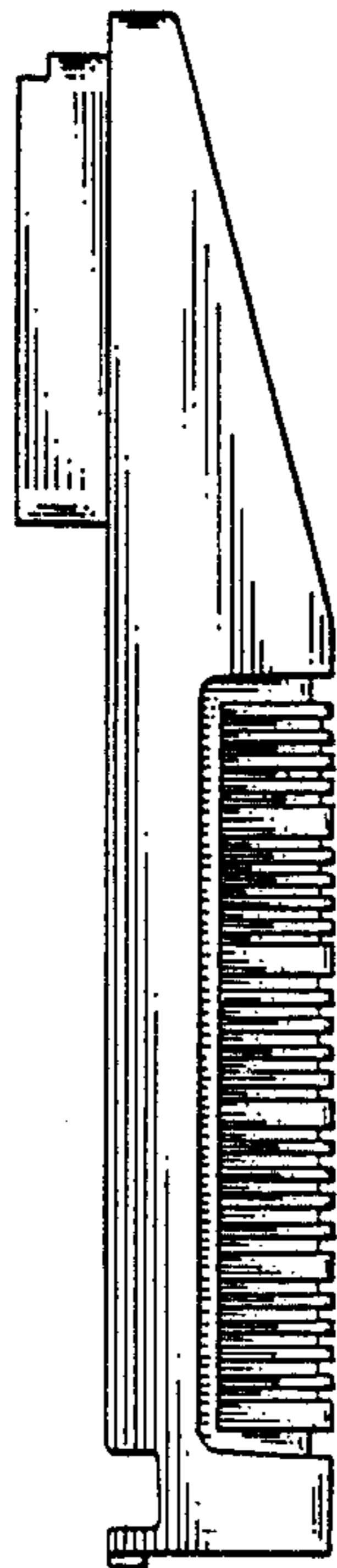


FIG. 4

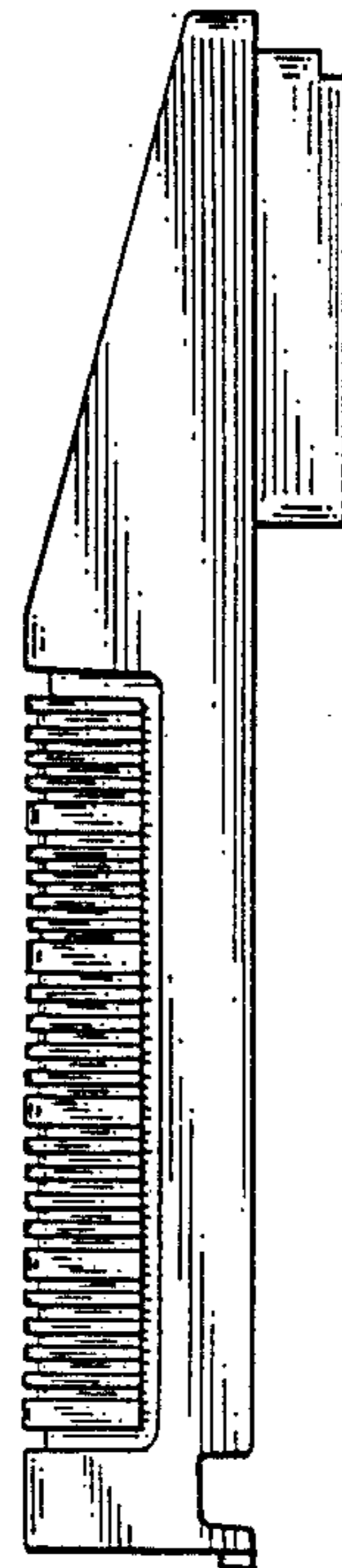


FIG. 5

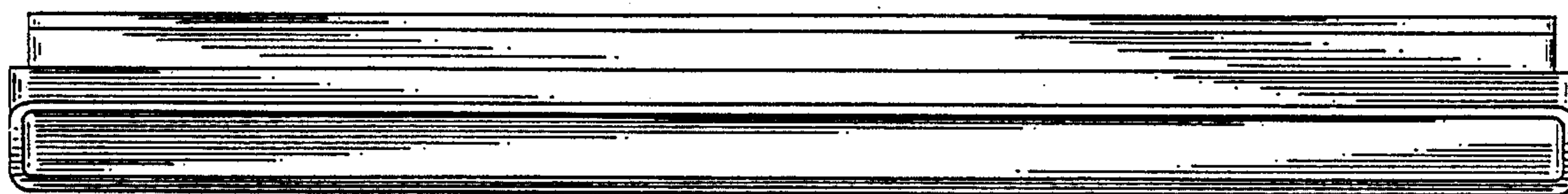


FIG. 6

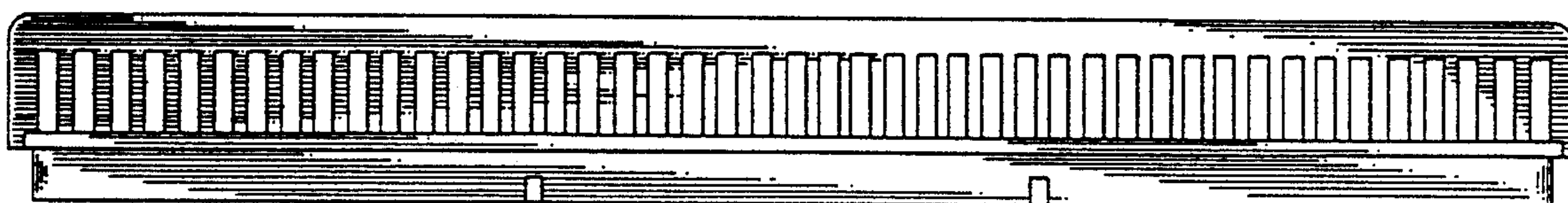


FIG. 7

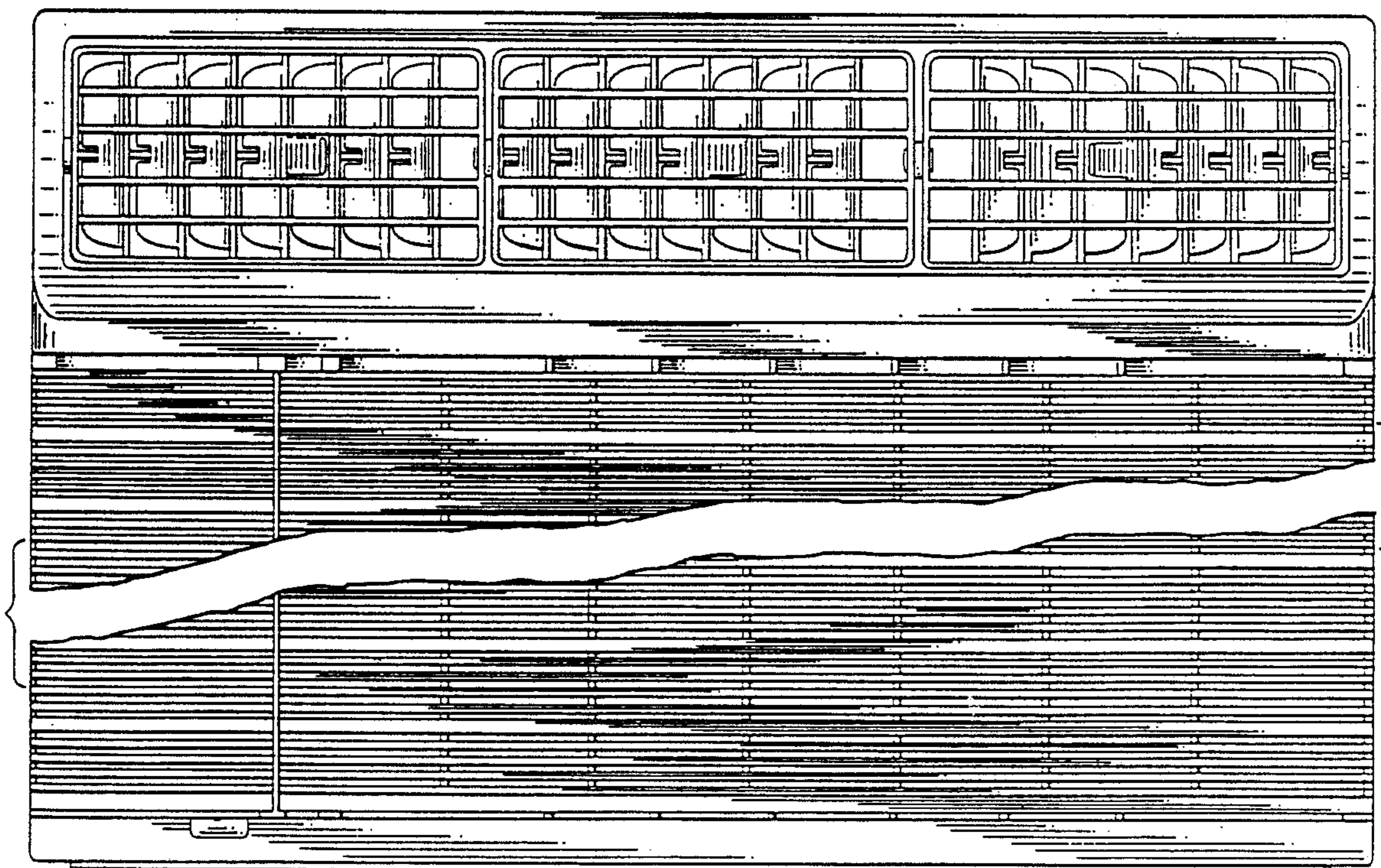


FIG. 8