

[54] OIL FIRED SPACE HEATER

[75] Inventor: Yoshio Mito, Gifu, Japan

[73] Assignee: Toyotomi Kogyo Co., Ltd., Nagoya, Japan

[**] Term: 14 Years

[21] Appl. No.: 157,339

[22] Filed: Feb. 18, 1988

[52] U.S. Cl. D23/348

[58] Field of Search D23/335, 336, 338, 348; 126/95, 96, 85 R, 66

[56] References Cited

U.S. PATENT DOCUMENTS

D. 287,537	12/1986	Nakamura	D23/342
D. 292,122	9/1987	Sakai	D23/348
2,540,719	2/1951	Engh et al.	126/96
3,342,174	9/1967	Tongue et al.	126/96

FOREIGN PATENT DOCUMENTS

556430	7/1981	Japan	.	
616942	1/1984	Japan	.	
616970	1/1984	Japan	.	
170625	9/1984	Japan	126/66

OTHER PUBLICATIONS

Hardware Age, Nov. '79, p. 103, Kero-Sun Kerosene Heaters, 1, 2, 3, and 4, top right side of page. Home Energy Digest Wood Burning Quarterly, Spring/81, p. 136, Kerosene Heaters Corona 11DK and Perfection Model 750, top left side of page.

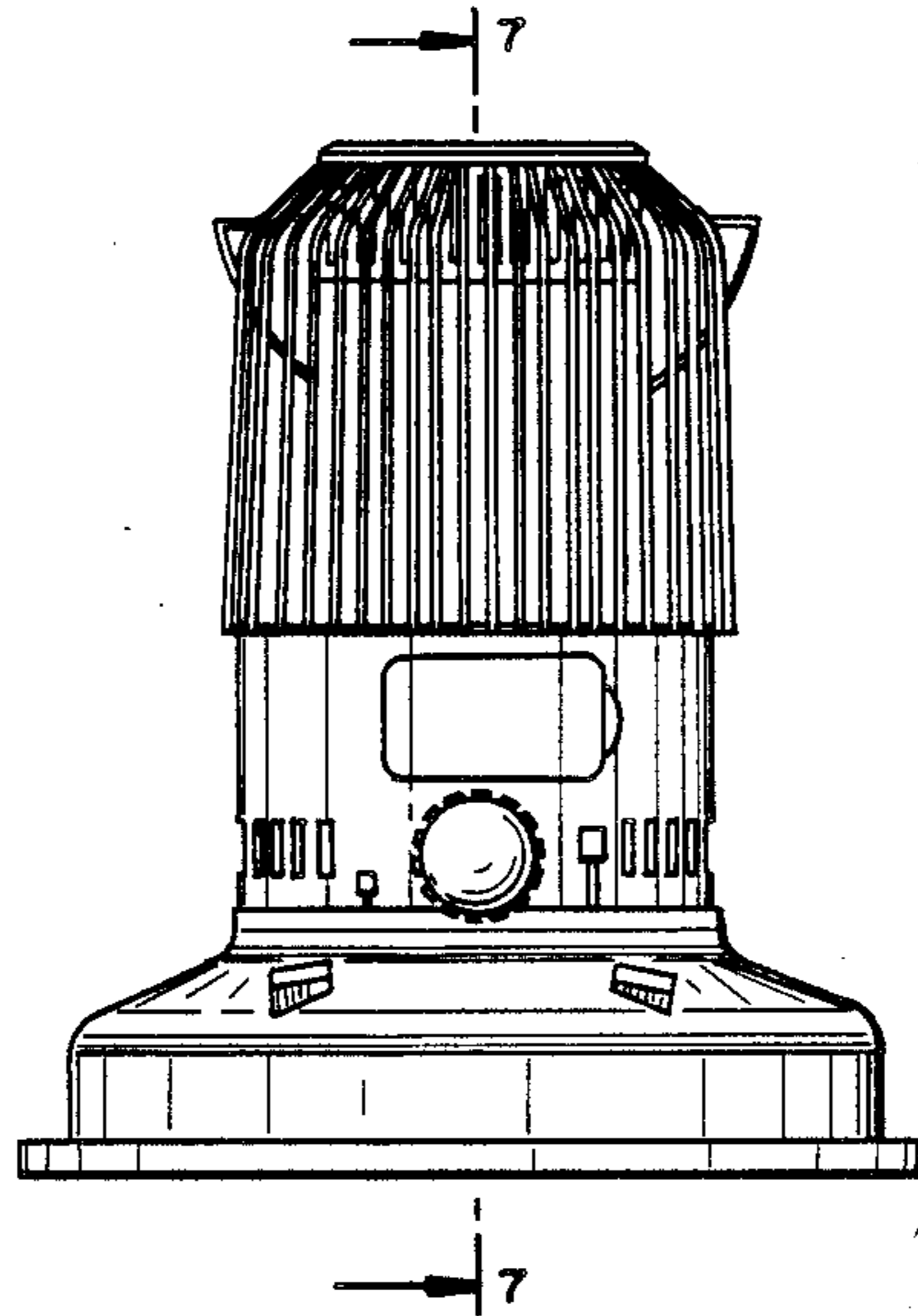
Primary Examiner—James M. Gandy
Assistant Examiner—Lisa Lichtenstein
Attorney, Agent, or Firm—Pollock, Vande Sande & Priddy

[57] CLAIM

The ornamental design for an oil fired space heater, as shown.

DESCRIPTION

FIG. 1 is a front elevational view of an oil-fired space heater, showing my new design;
FIG. 2 is a left side elevational view thereof;
FIG. 3 is a right side elevational view thereof;
FIG. 4 is a rear elevational view thereof;
FIG. 5 is a top plan view thereof;
FIG. 6 is a bottom plan view thereof; and,
FIG. 7 is a sectional view thereof taken along lines 7—7 of FIG. 1.



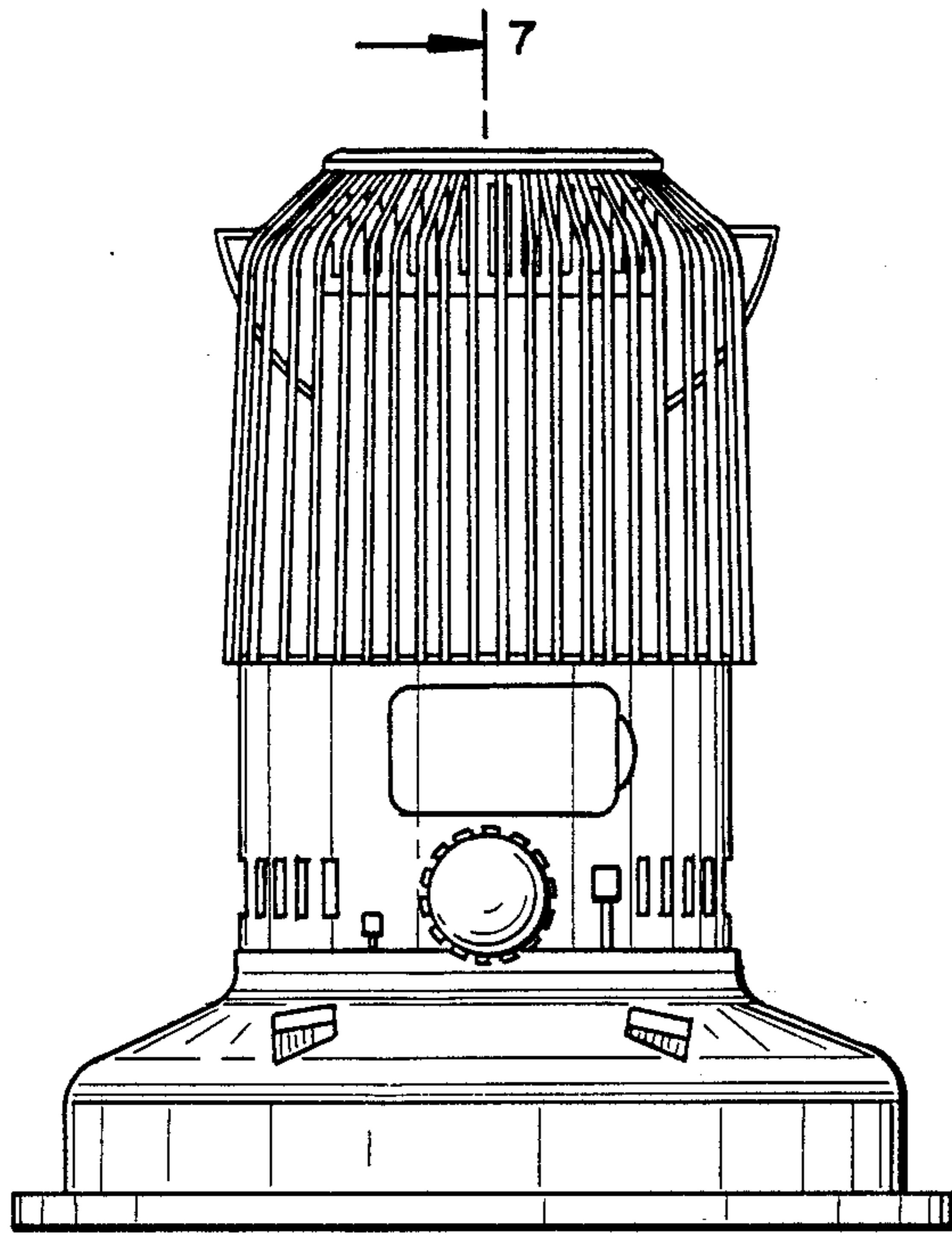


FIG. 1

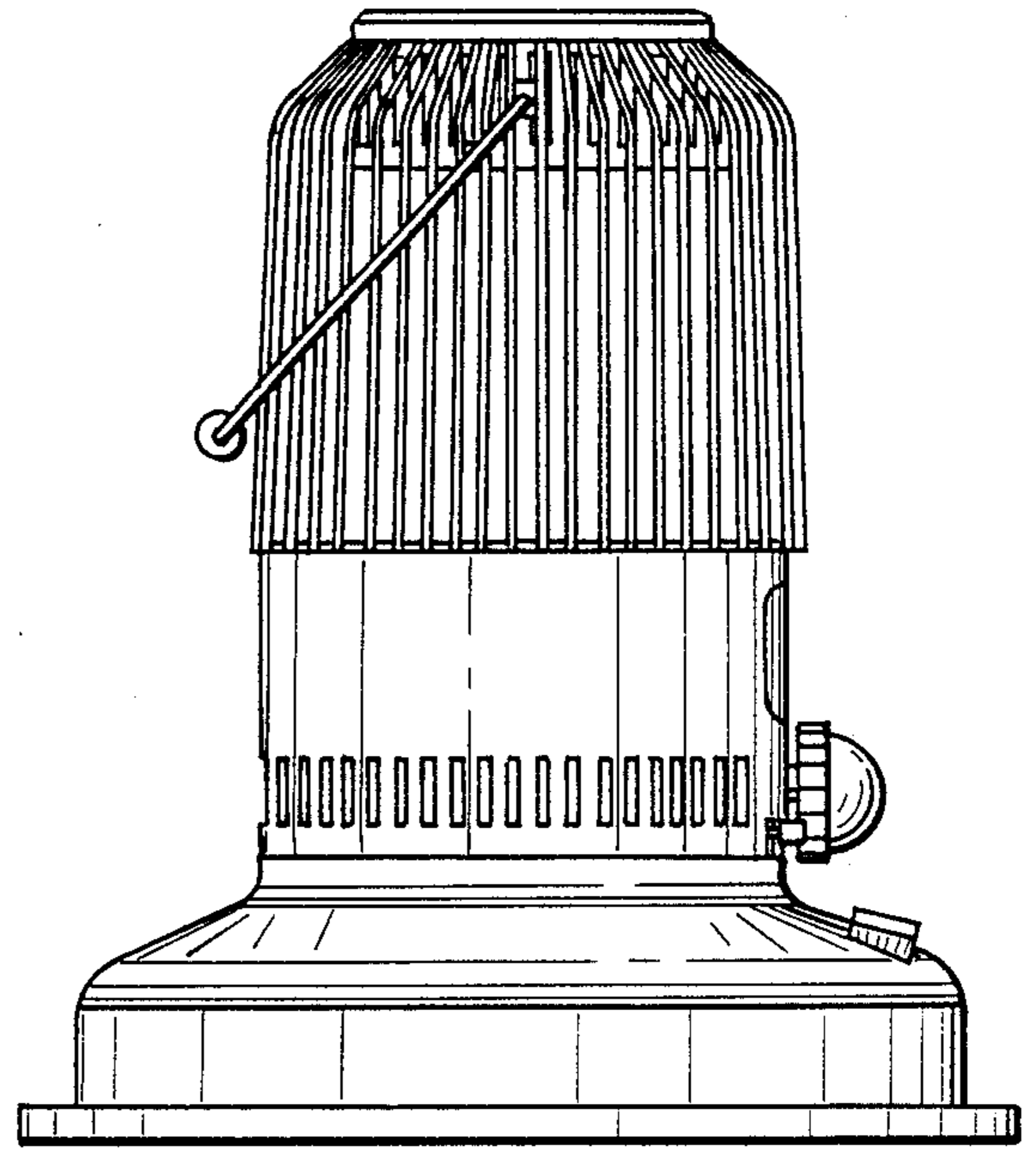


FIG. 2

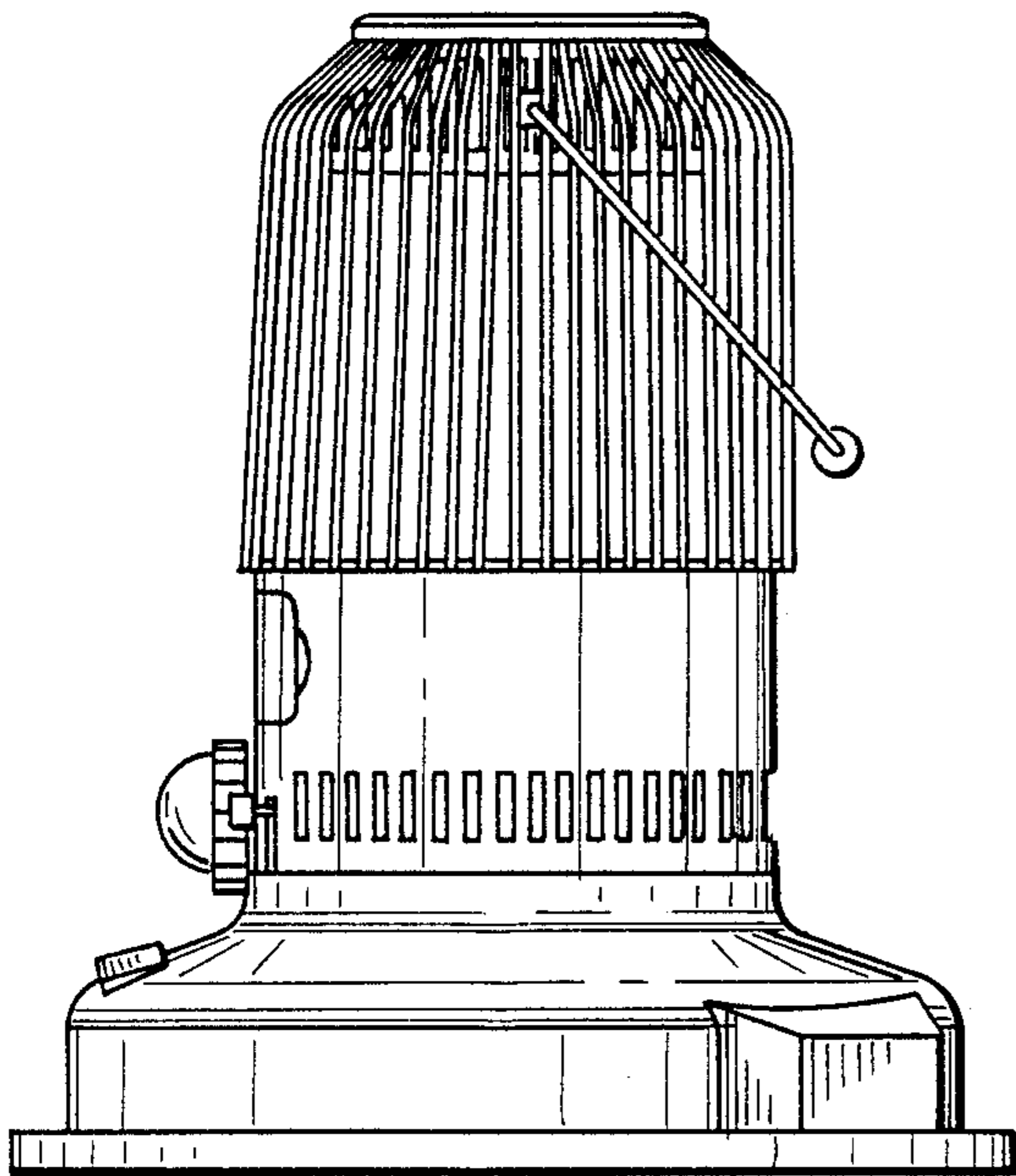


FIG. 3

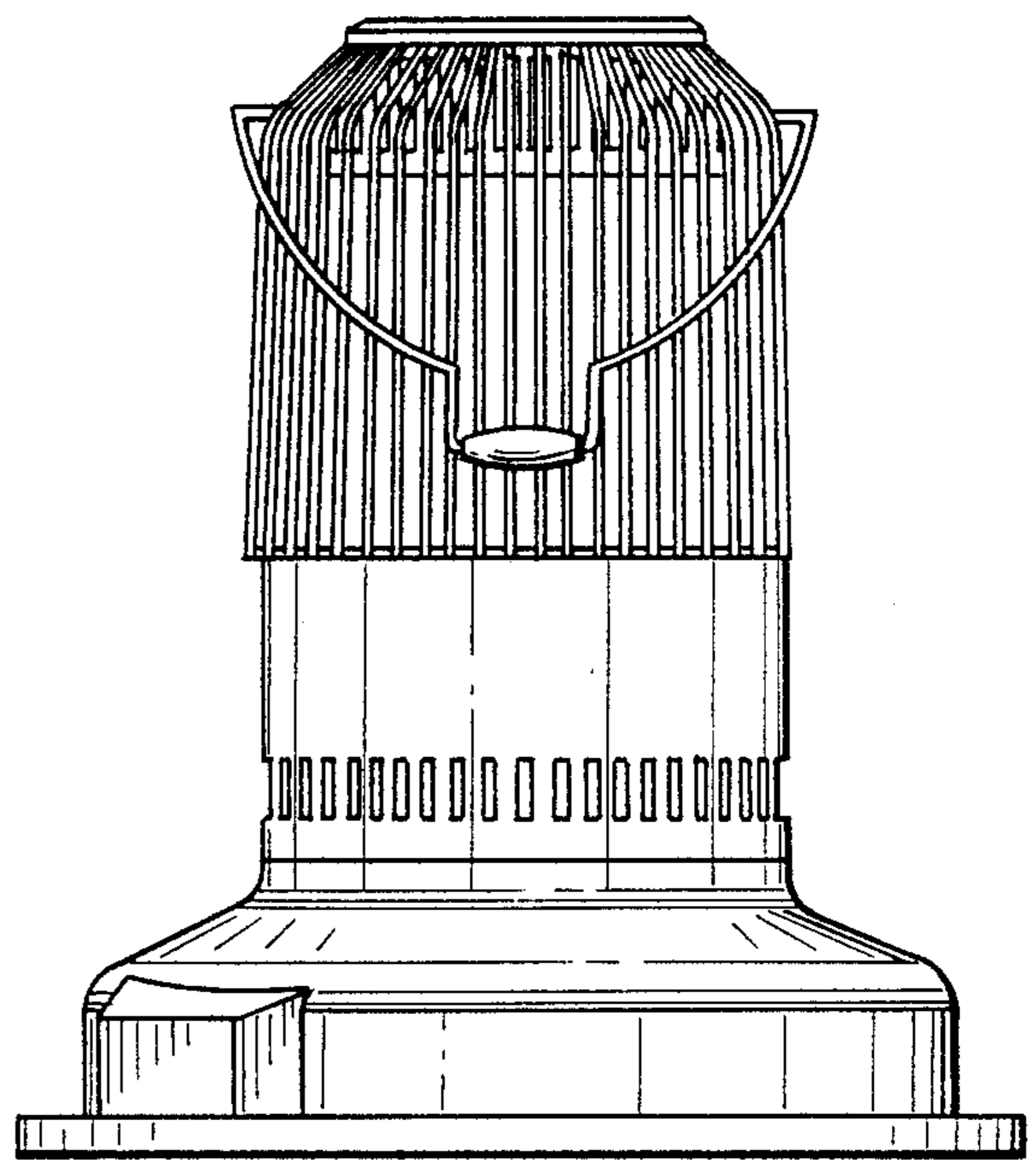


FIG. 4

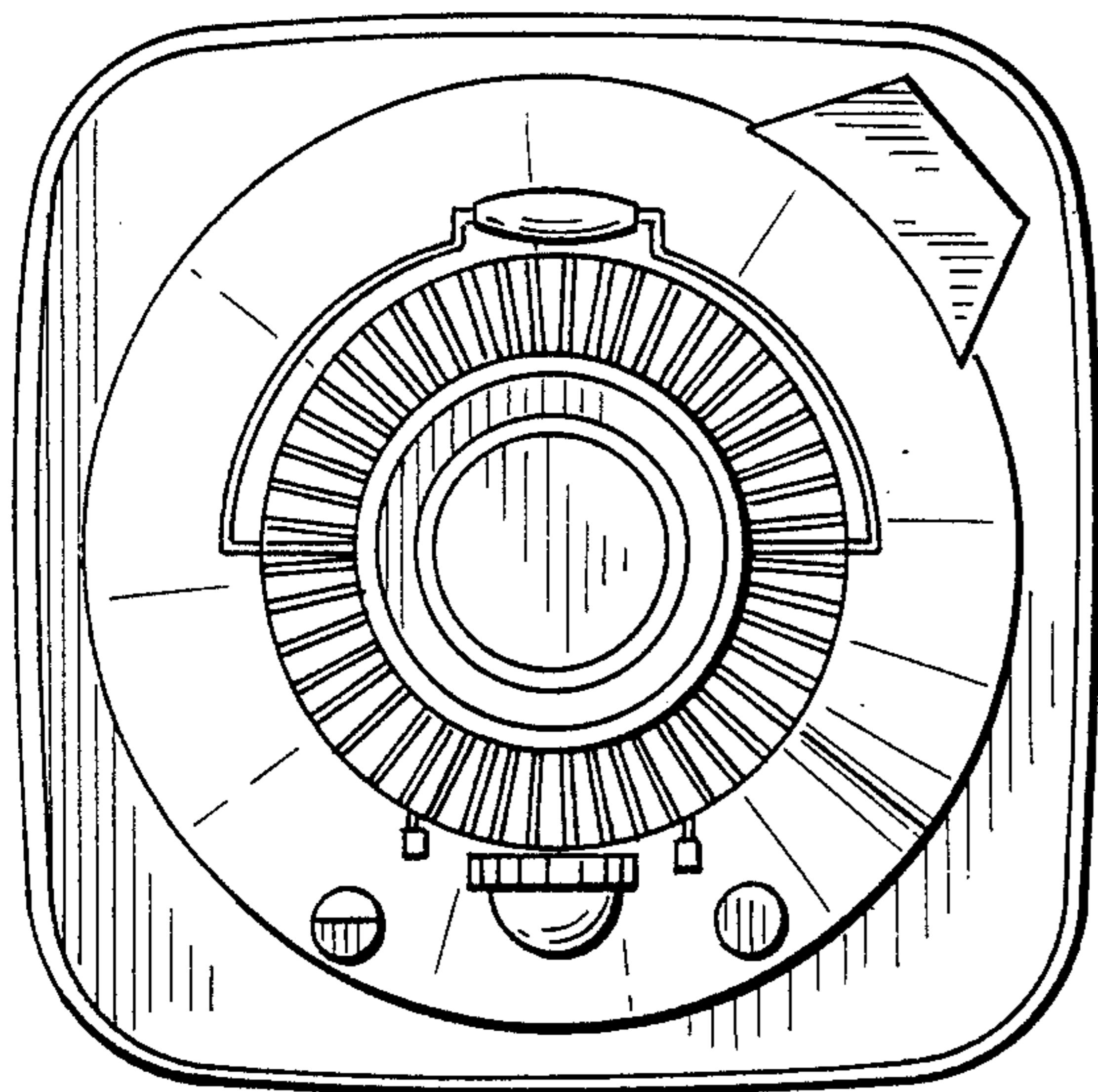


FIG. 5

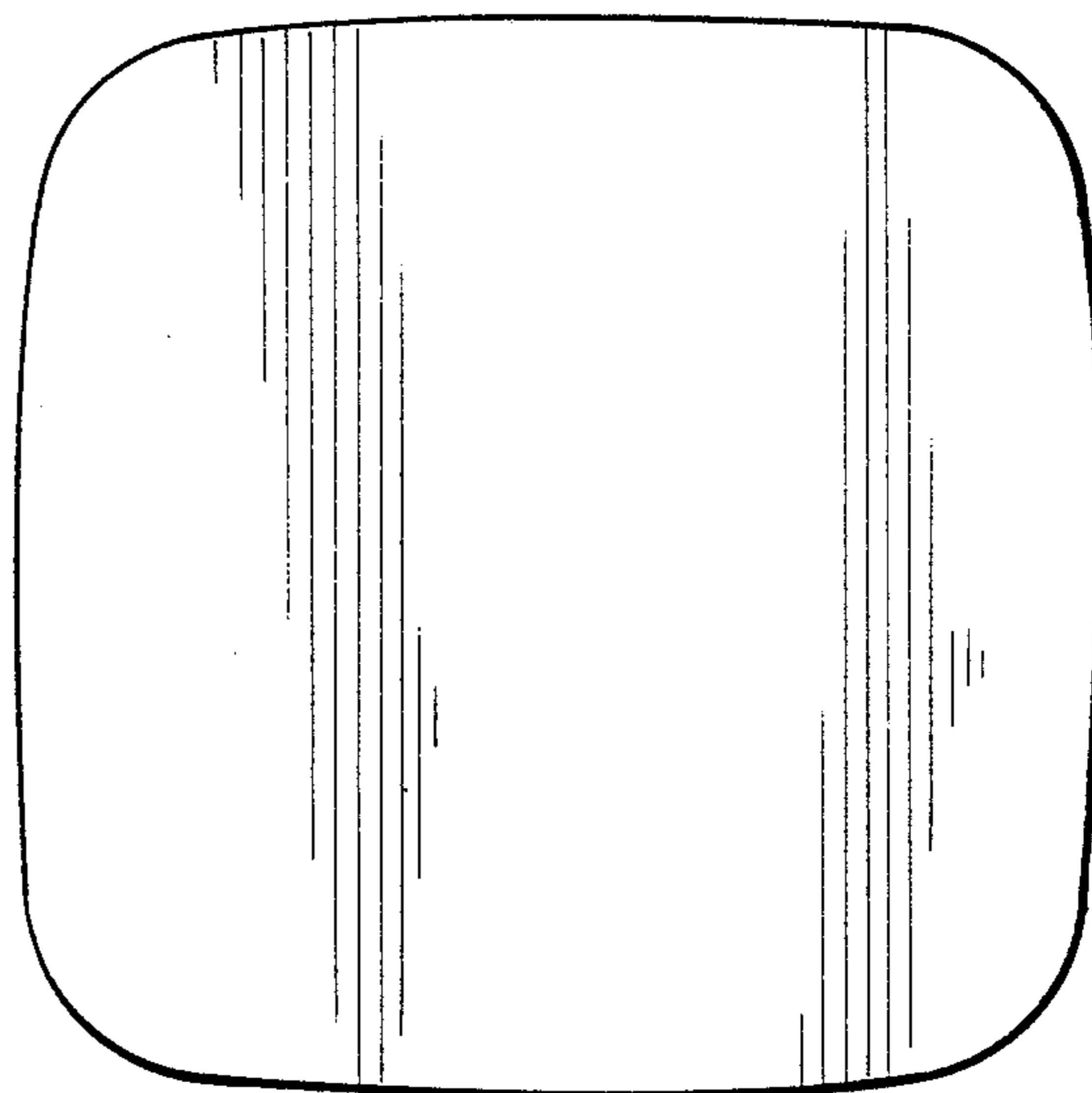


FIG. 6

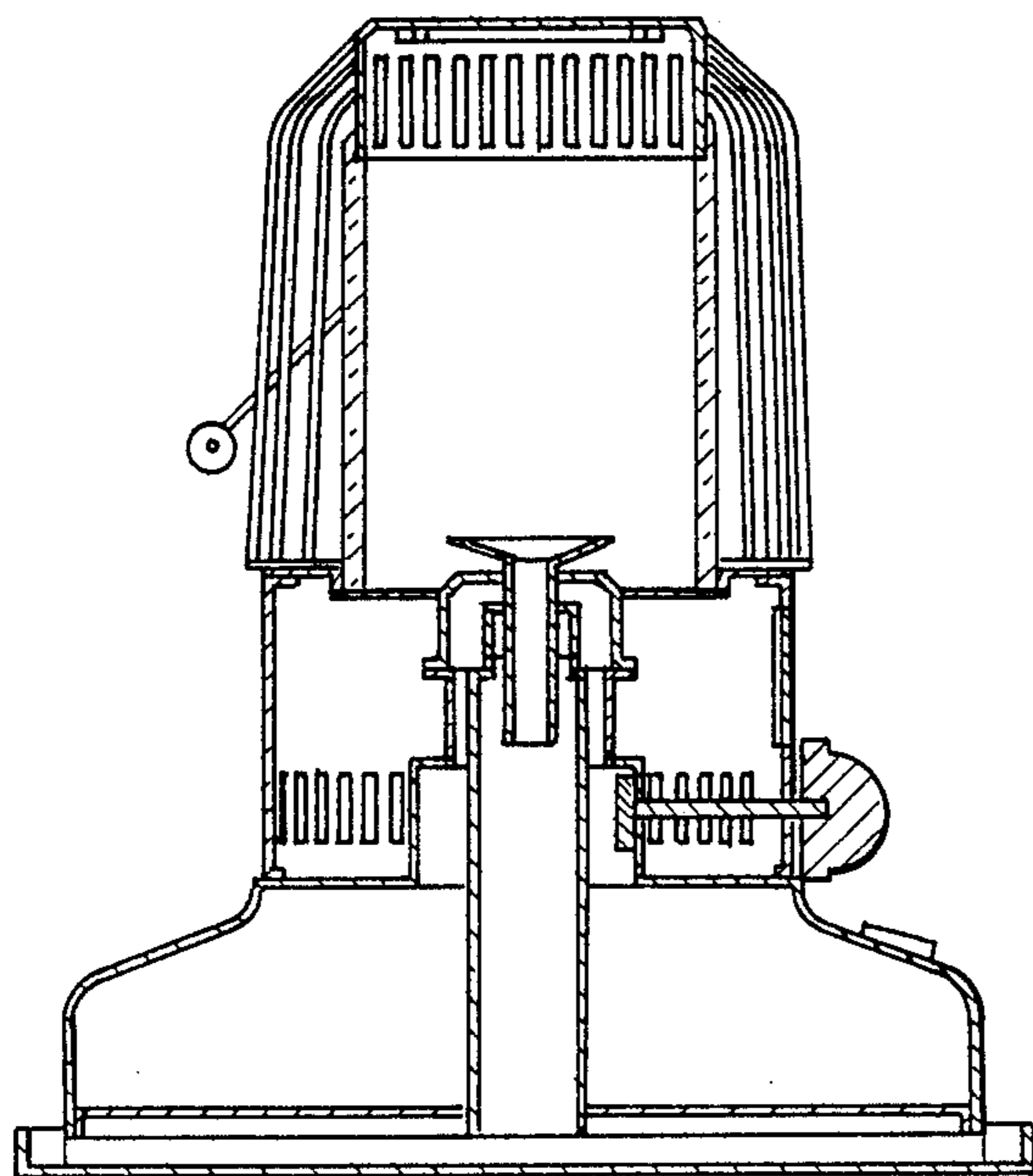


FIG. 7