

[54] COMBINED HOSE-ATTACHED TELESCOPING PRESSURE SPRAYER AND CONNECTOR FOR ATTACHMENT TO AN ADDITIVE FLUID DISPENSER

[75] Inventors: Rudy R. Proctor, Costa Mesa; Fred M. Reinstein, Encino, both of Calif.

[73] Assignee: Turbo Tek Enterprises, Inc., Los Angeles, Calif.

[**] Term: 14 Years

[21] Appl. No.: 296,684

[22] Filed: Jan. 13, 1989

Related U.S. Application Data

[62] Division of Ser. No. 77,787, Jul. 27, 1987, Pat. No. Des. 300,453.

[52] U.S. Cl. D23/226; D23/223

[58] Field of Search D23/213-214, D23/223-224, 226, 229; D32/1; 239/152, 154, 195, 164-165, 280-281, 525, 532, 569; 222/174, 523

[56] References Cited

U.S. PATENT DOCUMENTS

- D. 102,576 12/1936 Ofeldt .
D. 155,508 10/1949 Heimburger .
D. 230,641 3/1974 Mowbray .
D. 241,544 9/1976 Whitbread D23/213
D. 243,532 3/1977 Fyffe .
D. 270,560 9/1983 Clivio et al. .
D. 283,832 5/1986 Weinstein et al. .
D. 286,066 10/1986 Goessling et al. D23/213
D. 288,838 3/1987 Hengesbach D23/213
D. 292,133 9/1987 Proctor et al. D32/1
1,169,524 1/1916 Baker .

- 2,215,375 9/1940 Ortman .
2,218,790 10/1940 Gifford .
2,257,585 9/1941 Auvil .
2,289,889 7/1942 Stick et al. .
2,337,149 12/1943 Bullock .
3,602,273 8/1971 Flentge et al. 222/566 X
3,670,967 6/1972 Fahlin et al. 239/525 X
3,915,382 10/1975 Davis .
3,961,754 6/1976 Kuhns et al. 239/525 X
4,174,068 11/1979 Rudolph .
4,403,737 9/1983 Hancock .

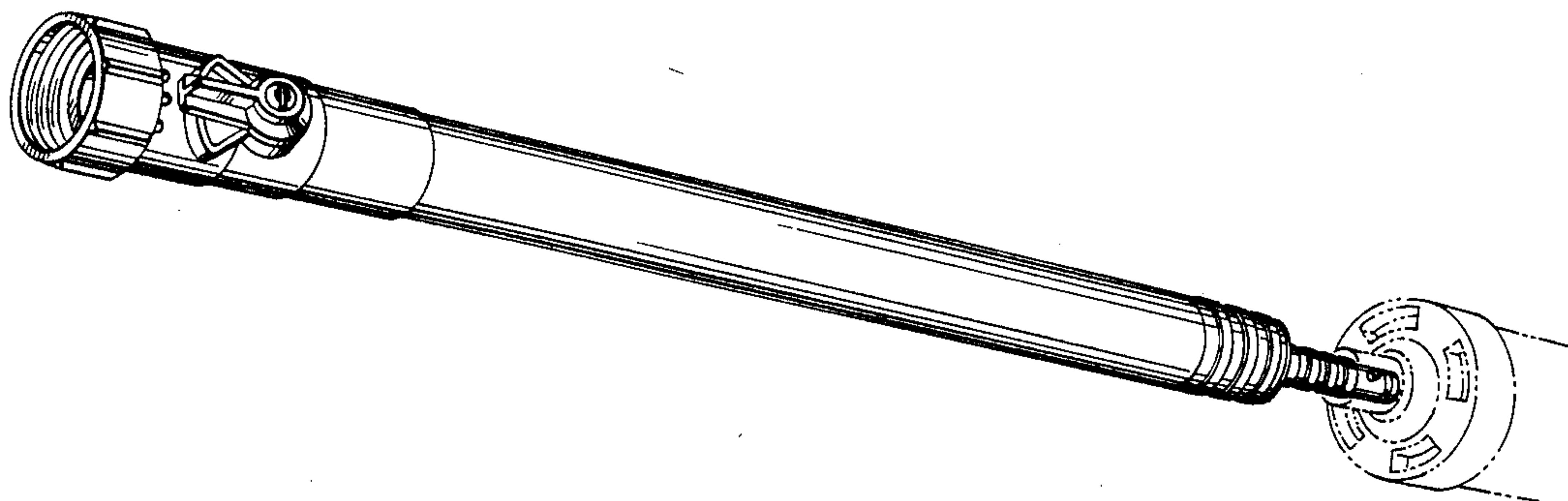
Primary Examiner—Wallace R. Burke
Assistant Examiner—Brian N. Vinson
Attorney, Agent, or Firm—Fleit, Jacobson, Cohn, Price, Holman & Stern

[57] CLAIM

The ornamental design for combined hose-attached telescoping pressure sprayer and connector for attachment to an additive fluid dispenser, as shown and described.

DESCRIPTION

FIG. 1 is a top perspective view of a combined hose-attached telescoping sprayer and connector for attachment to an additive fluid dispenser showing our new design in an essentially collapsed position; FIG. 2 is a side elevational view thereof, the opposite side being a mirror image; FIG. 3 is a bottom plan view thereof; FIG. 4 is an end elevational view thereof; FIG. 5 is an opposite end elevational view thereof; and FIG. 6 is a top perspective view thereof, shown in a rotated and extended position. The partial broken-line showing of the additive fluid dispenser in FIGS. 1 and 2 is for illustrative purposes only and forms no part of the claimed design.



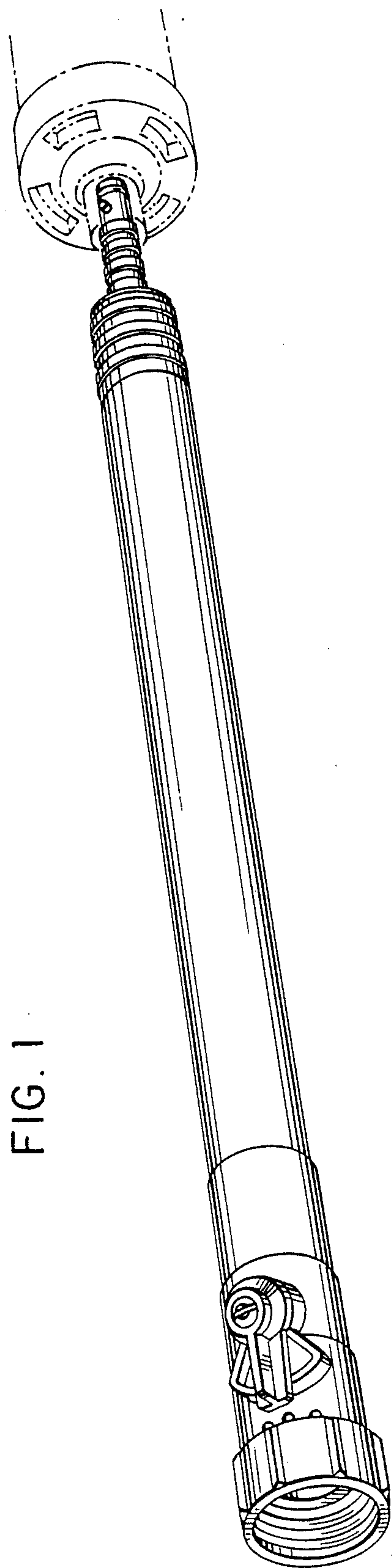


FIG. 2

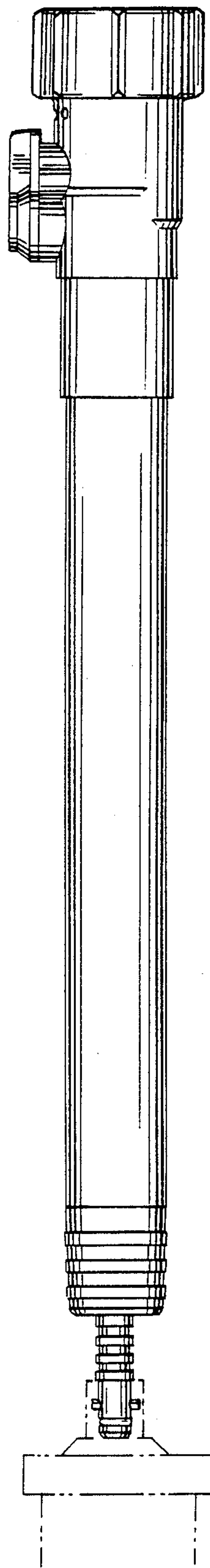
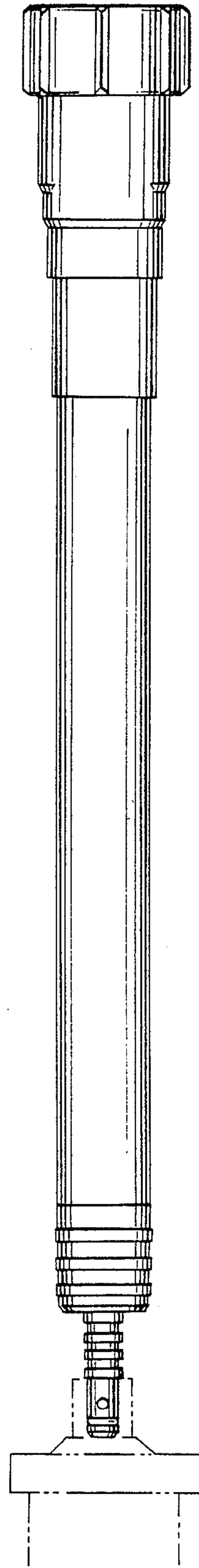


FIG. 3



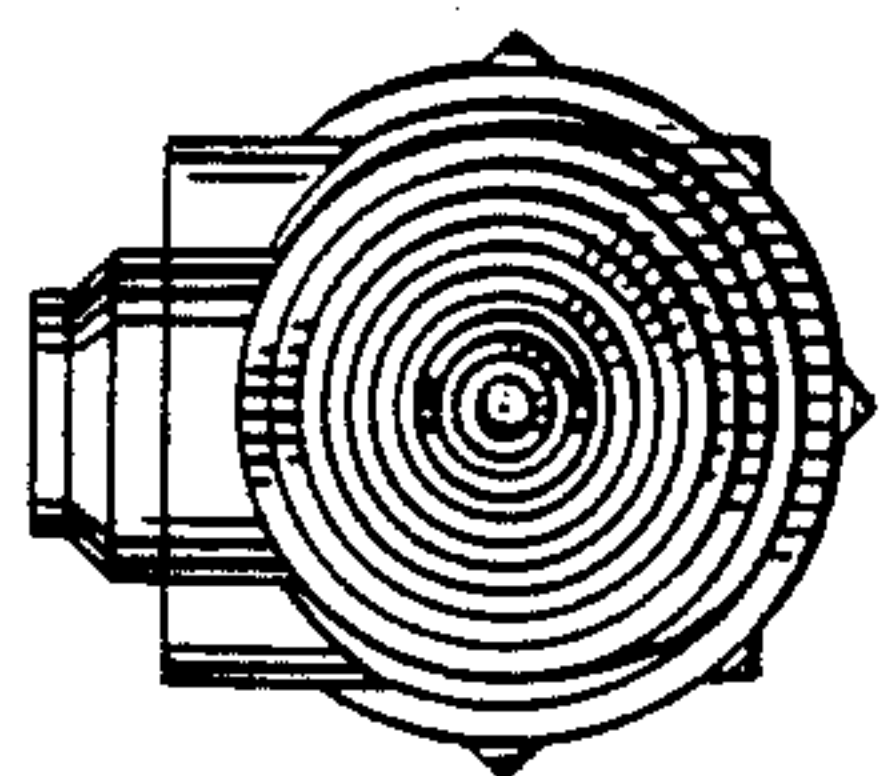


FIG. 5

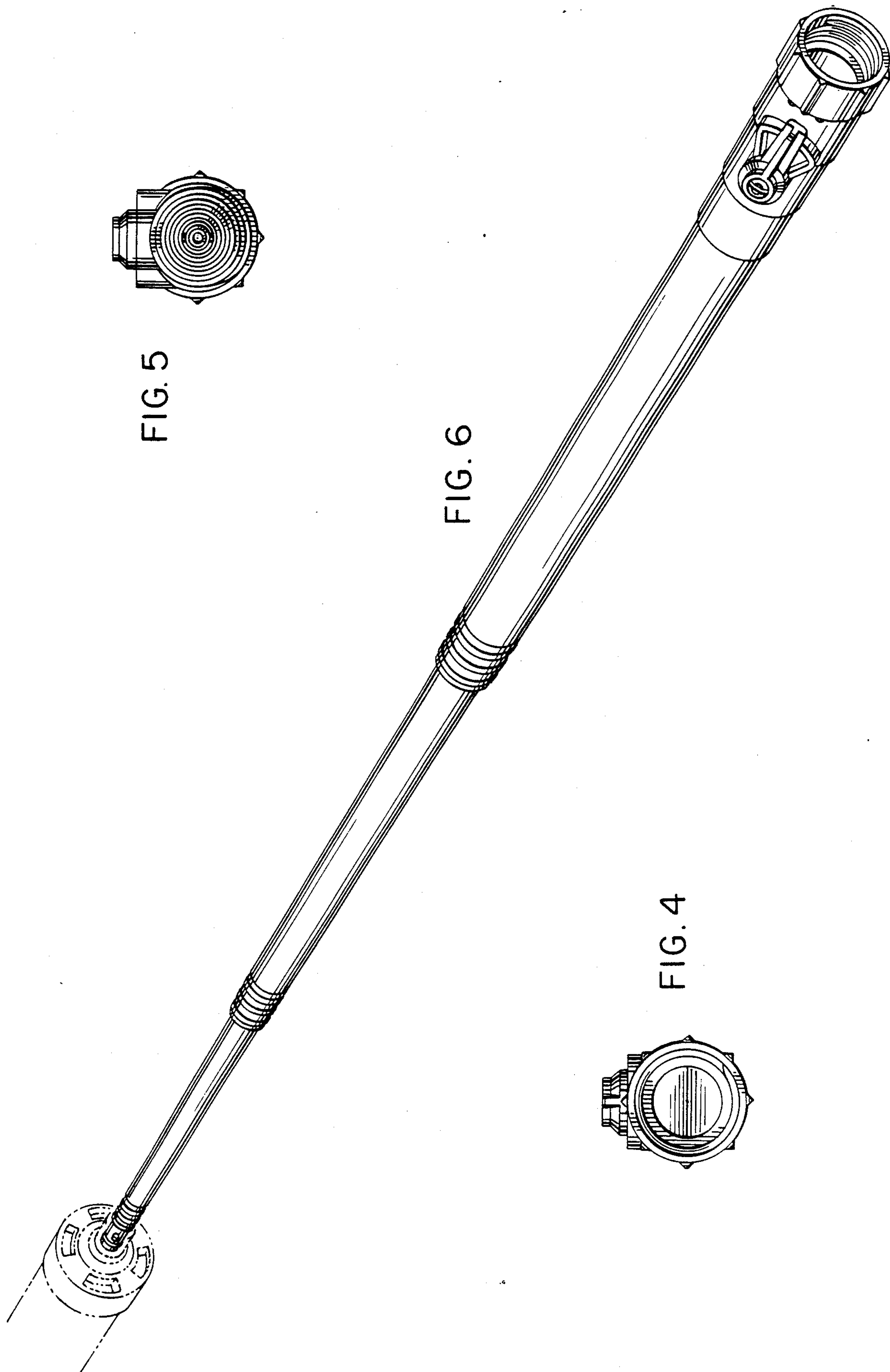


FIG. 6

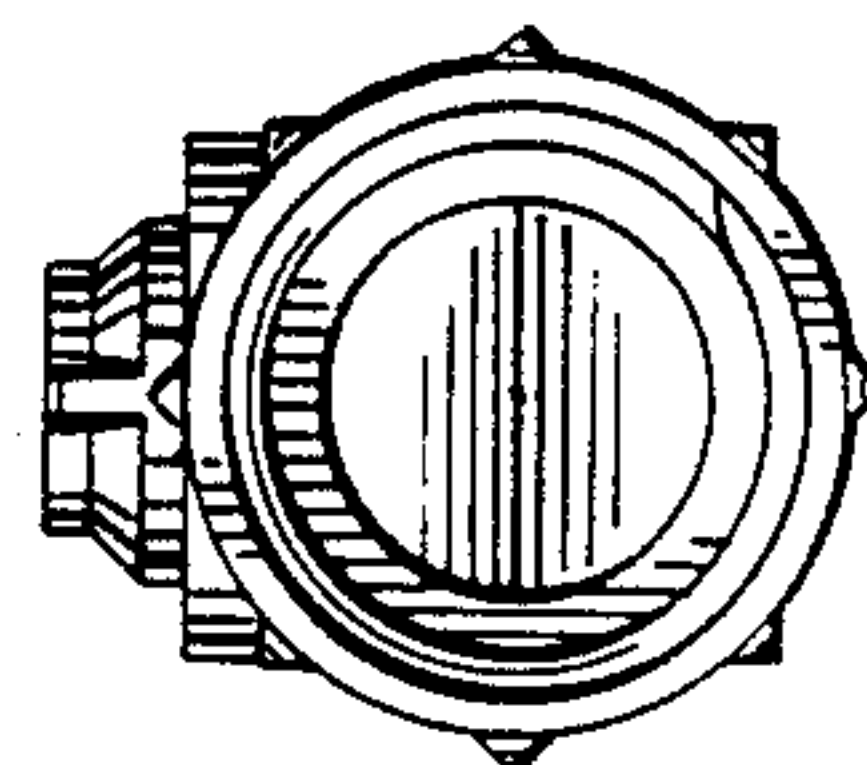


FIG. 4