

[54] **COMBINED REVERSIBLE SPRINKLER NOZZLE AND SUPPORT RING**
 [76] **Inventor: Robert W. Hengesbach, 7886 Munson Rd., Mentor, Ohio 44060**
 [**] **Term: 14 Years**
 [21] **Appl. No.: 414,065**
 [22] **Filed: Sep. 28, 1989**

4,035,004	7/1977	Hengesbach	285/166
4,449,696	5/1984	Hengesbach	251/231
4,471,911	9/1984	Hengesbach	239/327
4,473,328	9/1984	Hengesbach	406/152
4,515,310	5/1985	Hengesbach	239/8
4,569,160	2/1986	Hengesbach	51/427
4,629,121	12/1986	Hengesbach	239/119

Related U.S. Application Data

[60] Division of Ser. No. 224,249, Jul. 26, 1988, which is a continuation of Ser. No. 20,684, Mar. 2, 1987, which is a continuation-in-part of Ser. No. 674,272, Nov. 23, 1984, which is a continuation-in-part of Ser. No. 461,874, Jan. 28, 1983, Pat. No. D. 282,392.
 [52] **U.S. Cl. D23/213**
 [58] **Field of Search D23/213-230; 239/273, 396, 525**

References Cited

U.S. PATENT DOCUMENTS

D. 183,042	6/1958	Fuglie	D19/3
D. 194,526	2/1963	Lohmar	D23/229
D. 266,454	10/1982	Miller	D23/229
D. 282,392	1/1986	Hengesbach	D23/17
D. 284,301	6/1986	Hengesbach	D23/17
D. 285,242	8/1986	Hengesbach	S23/17
D. 285,477	9/1986	Hengesbach	D23/18
D. 285,478	9/1986	Hengesbach	D23/19
D. 285,479	9/1986	Hengesbach	D23/20
D. 287,995	1/1987	Ferguson	D23/19
D. 293,127	12/1987	Hengesbach	D23/226
2,072,555	3/1937	Hengesbach et al.	122/144
2,293,390	8/1942	Hengesbach	299/84
2,790,680	4/1957	Roshott	239/396 X
2,890,067	6/1959	Morin	285/166
2,929,406	3/1960	Anderson	137/615
3,202,360	8/1965	O'Brien	239/119
3,473,561	10/1969	Svenson et al.	137/525
3,632,046	1/1972	Hengesbach	239/318
3,711,028	1/1973	Hengesbach	239/288.5
3,756,273	9/1973	Hengesbach	137/540
3,762,650	10/1973	Radecki	239/396

OTHER PUBLICATIONS

Brochure, Tri-Con, Inc., 4 pages, dated 1/1/1977, entitled: We Make The System.
 Brochure, Spraying Systems Co., Catalog 27, pp. 75-79, 1978, entitled: Spray Nozzles and Accessories.
 Brochure, Tri-Con, Inc., 4 pages, date unknown, entitled: The Tri-Con All Purpose Nozzle.
 Trademark Reg. No. 1,352,262, registered Jul. 30, 1985.
 Trademark Reg. No. 1,379,809, registered Jan. 21, 1986.
 Trademark Reg. No. 1,379,810, registered Jan. 21, 1986.

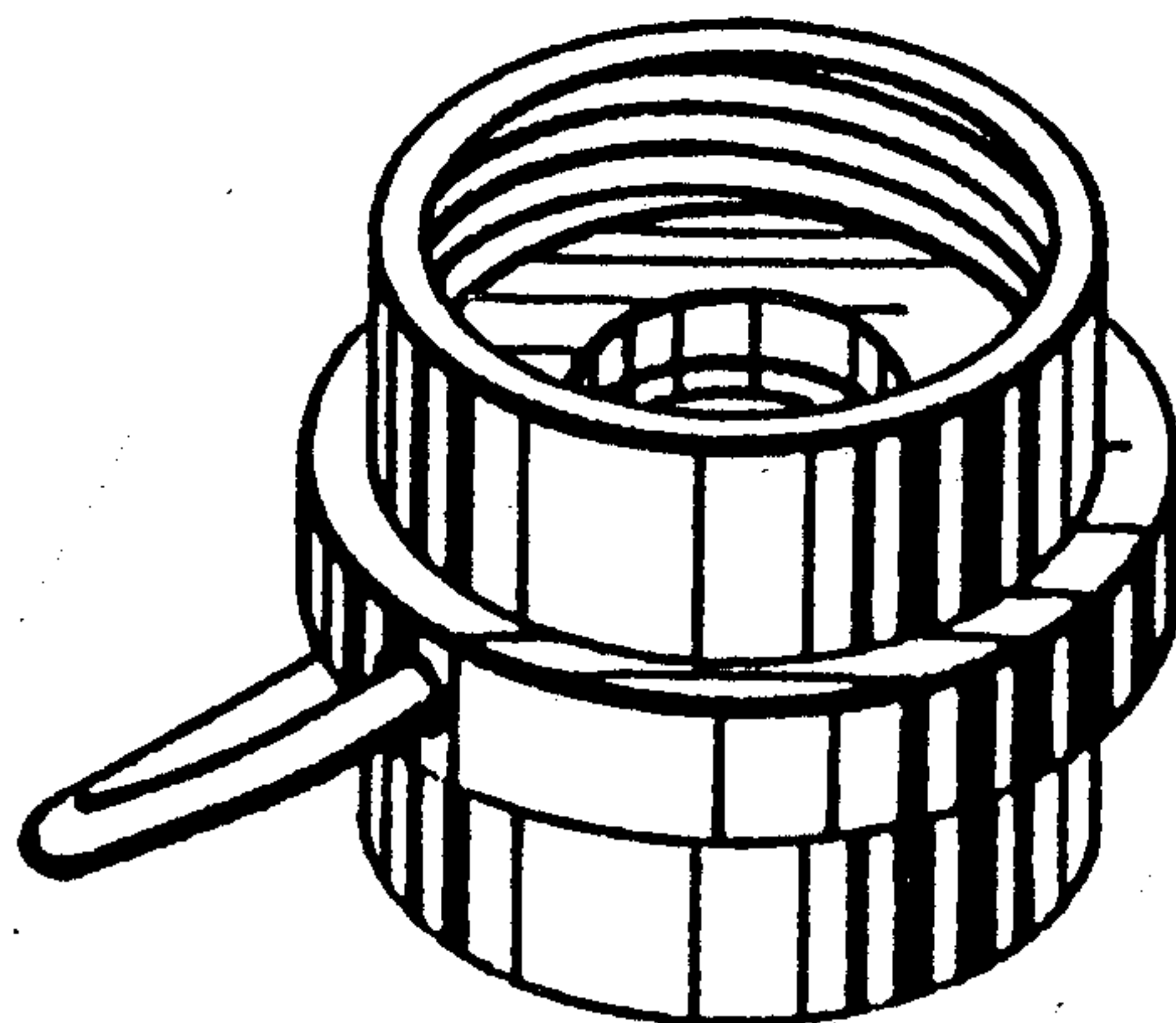
Primary Examiner—James R. Largen
Attorney, Agent, or Firm—David A. Burge

CLAIM

[57] The ornamental design for a combined reversible sprinkler nozzle and support ring, as shown and described.

DESCRIPTION

FIG. 1 is a top perspective view of a combined reversible sprinkler nozzle and support ring showing my new design;
 FIG. 2 is a bottom perspective view thereof;
 FIG. 3 is a bottom plan view thereof;
 FIG. 4 is a top perspective view of a second embodiment thereof;
 FIG. 5 is a bottom perspective view of FIG. 4;
 FIG. 6 is a bottom perspective view of FIG. 4;
 FIG. 7 is a top perspective view of a third embodiment thereof;
 FIG. 8 is a top perspective view of a fourth embodiment thereof;
 FIG. 9 is a top perspective view of a fifth embodiment thereof;
 FIG. 10 is a top perspective view of a sixth embodiment, thereof.



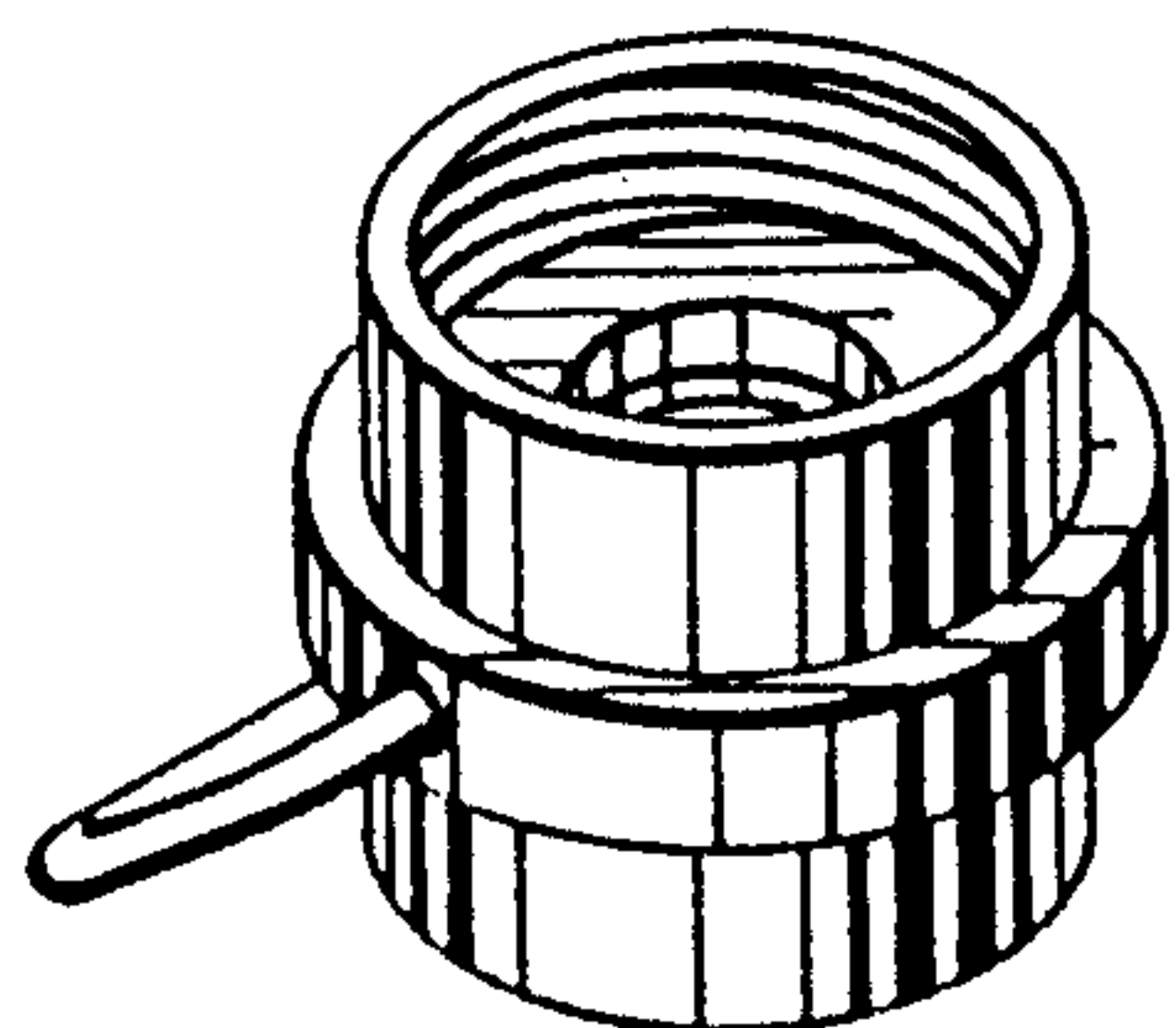


FIG. 1

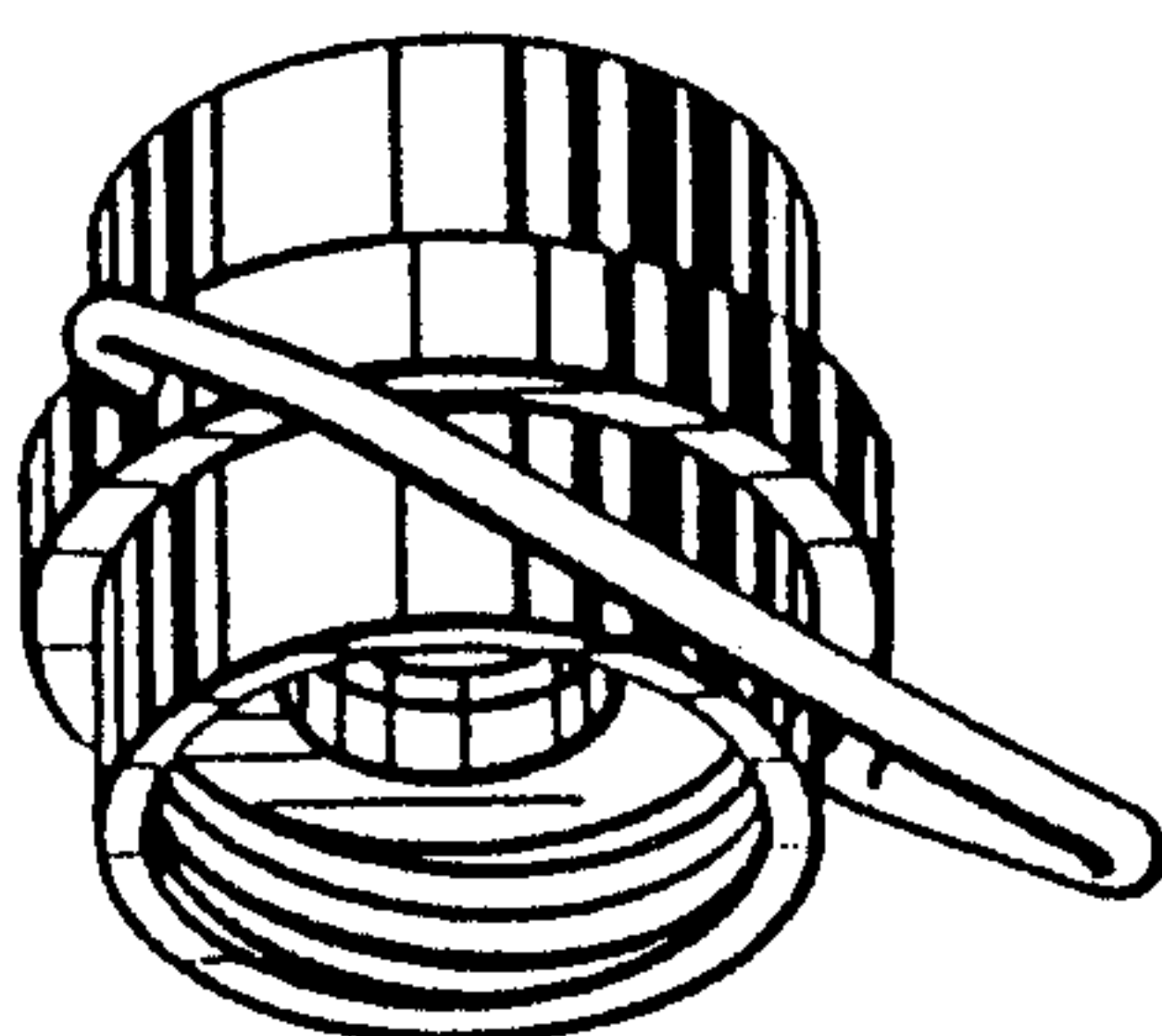


FIG. 2

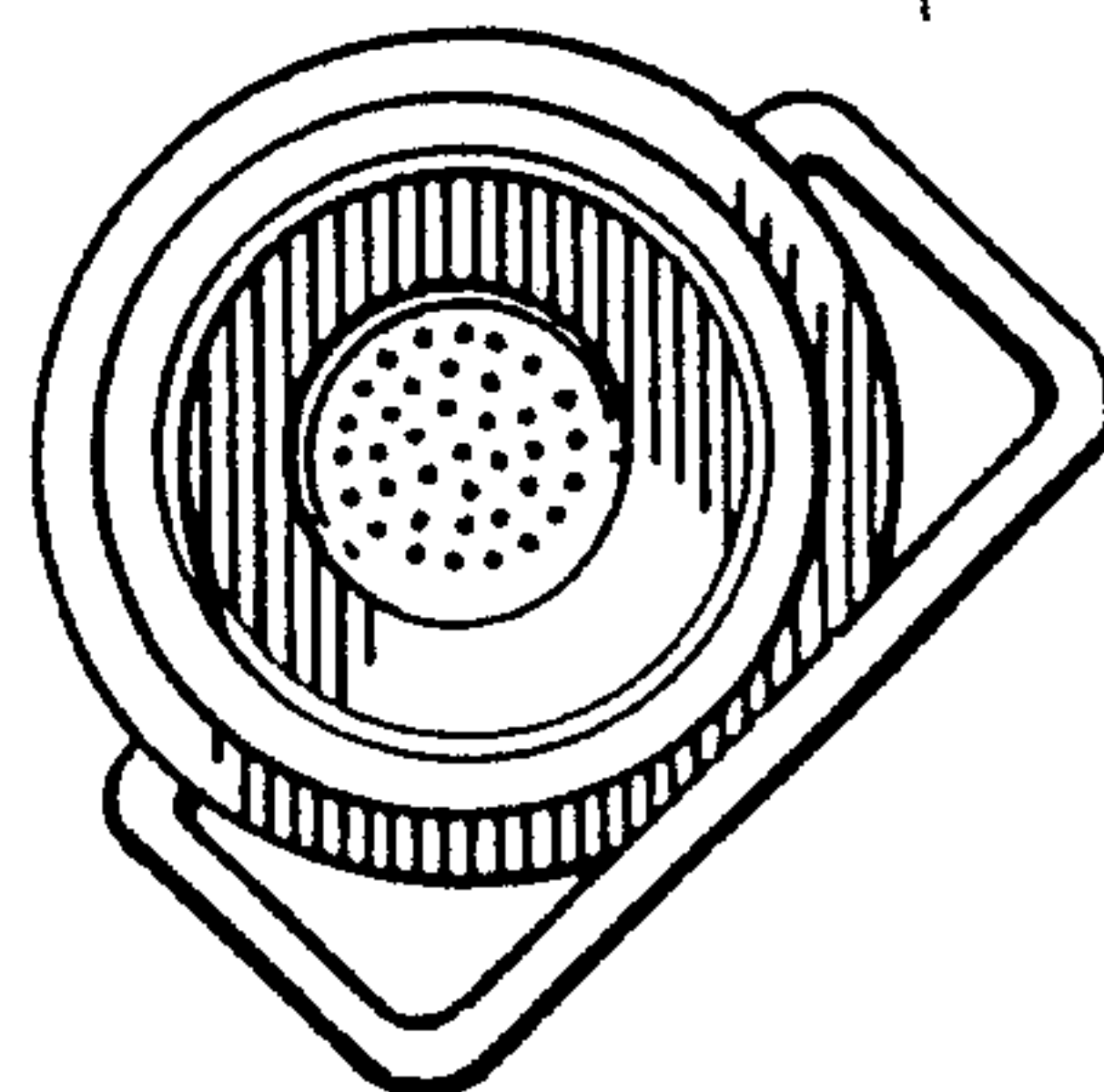


FIG. 3

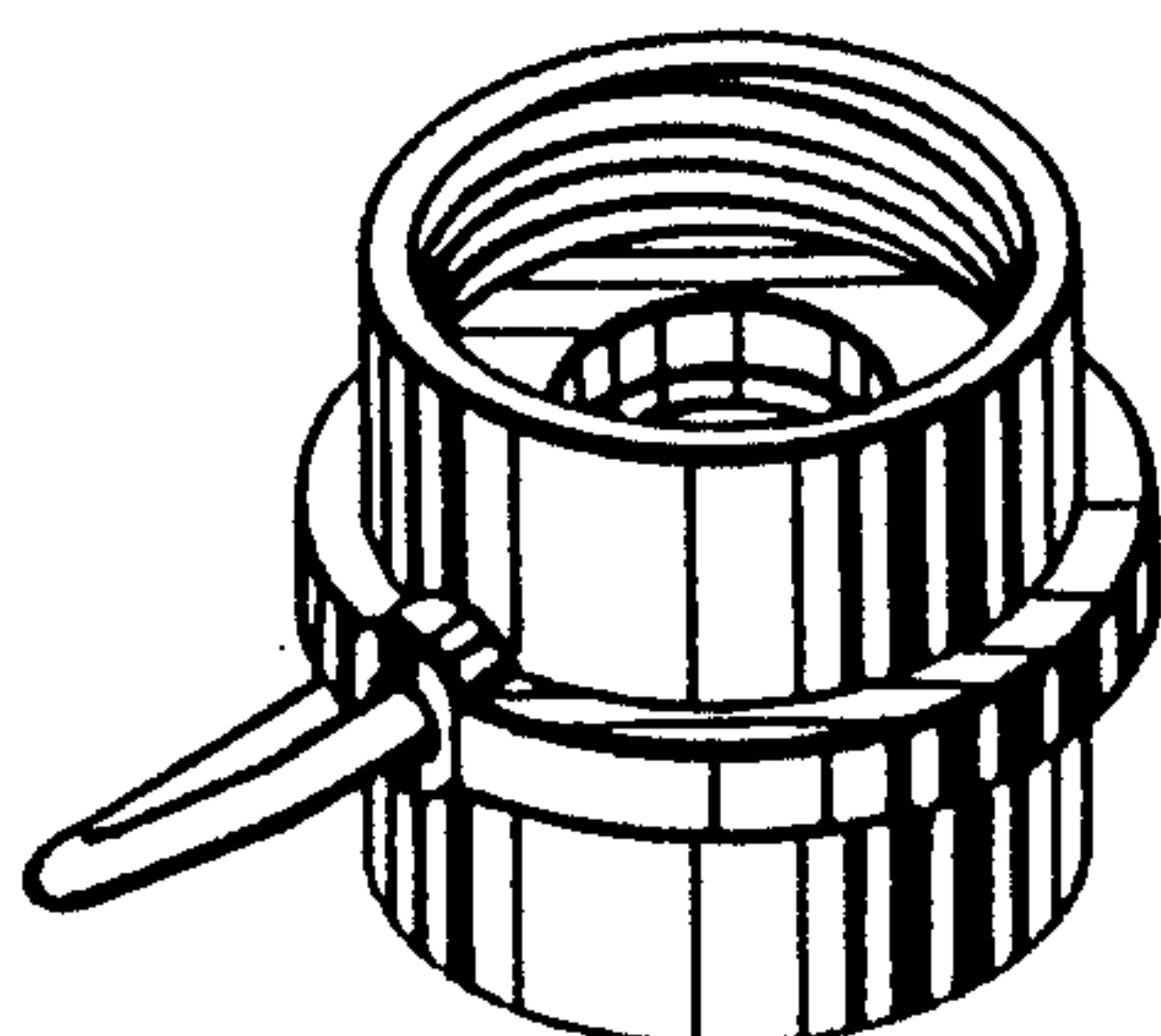


FIG. 4

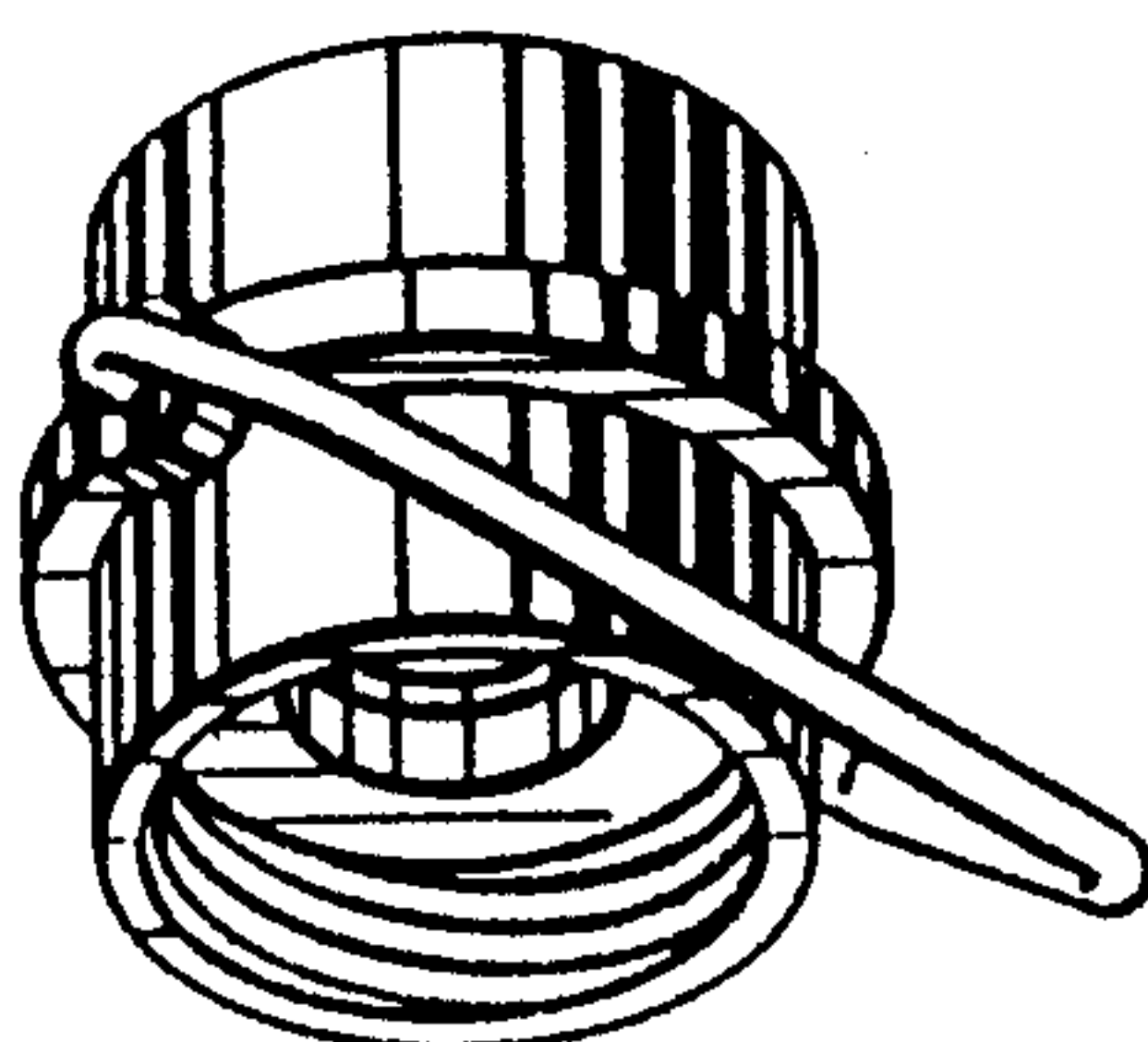


FIG. 5

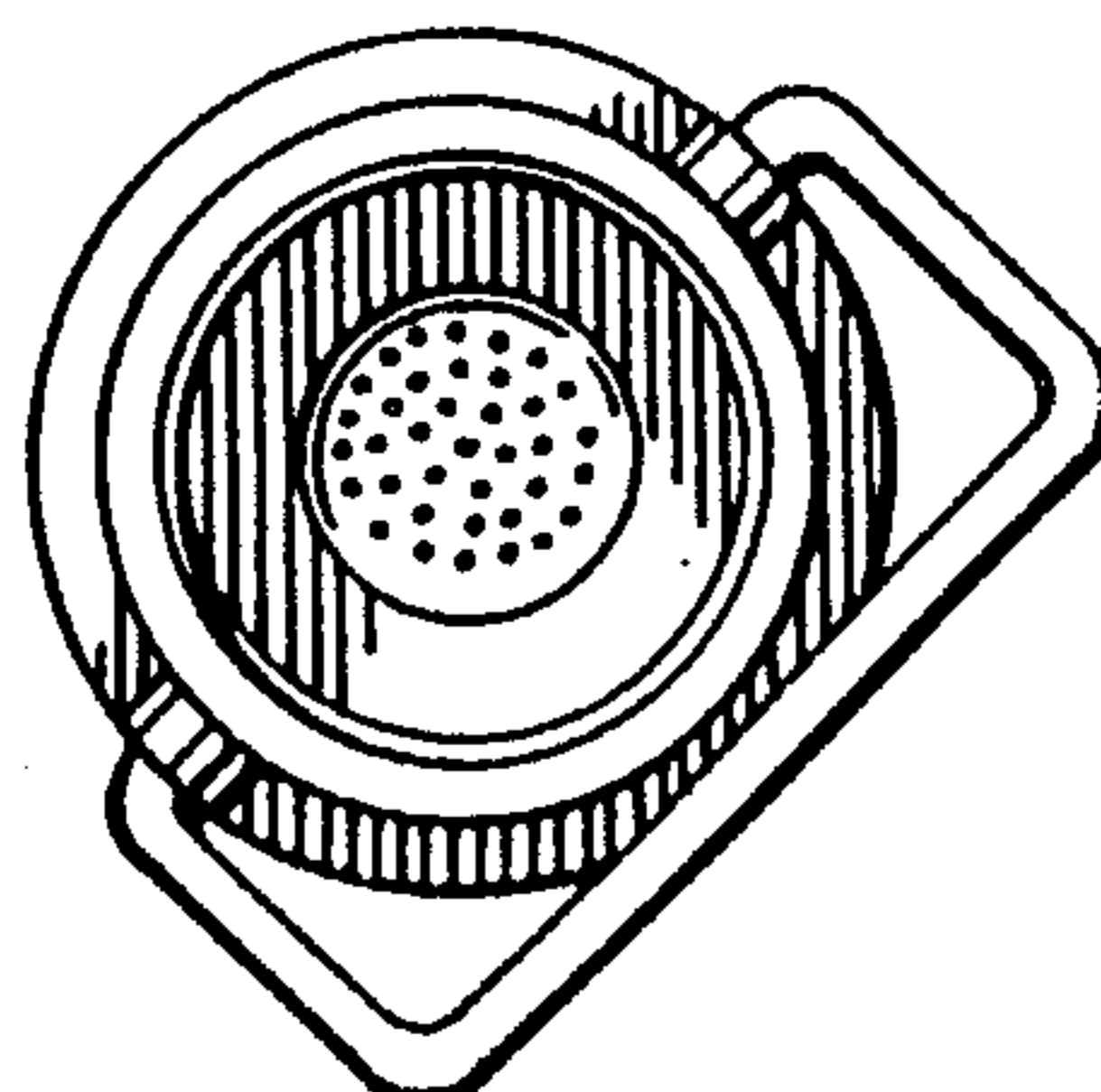


FIG. 6

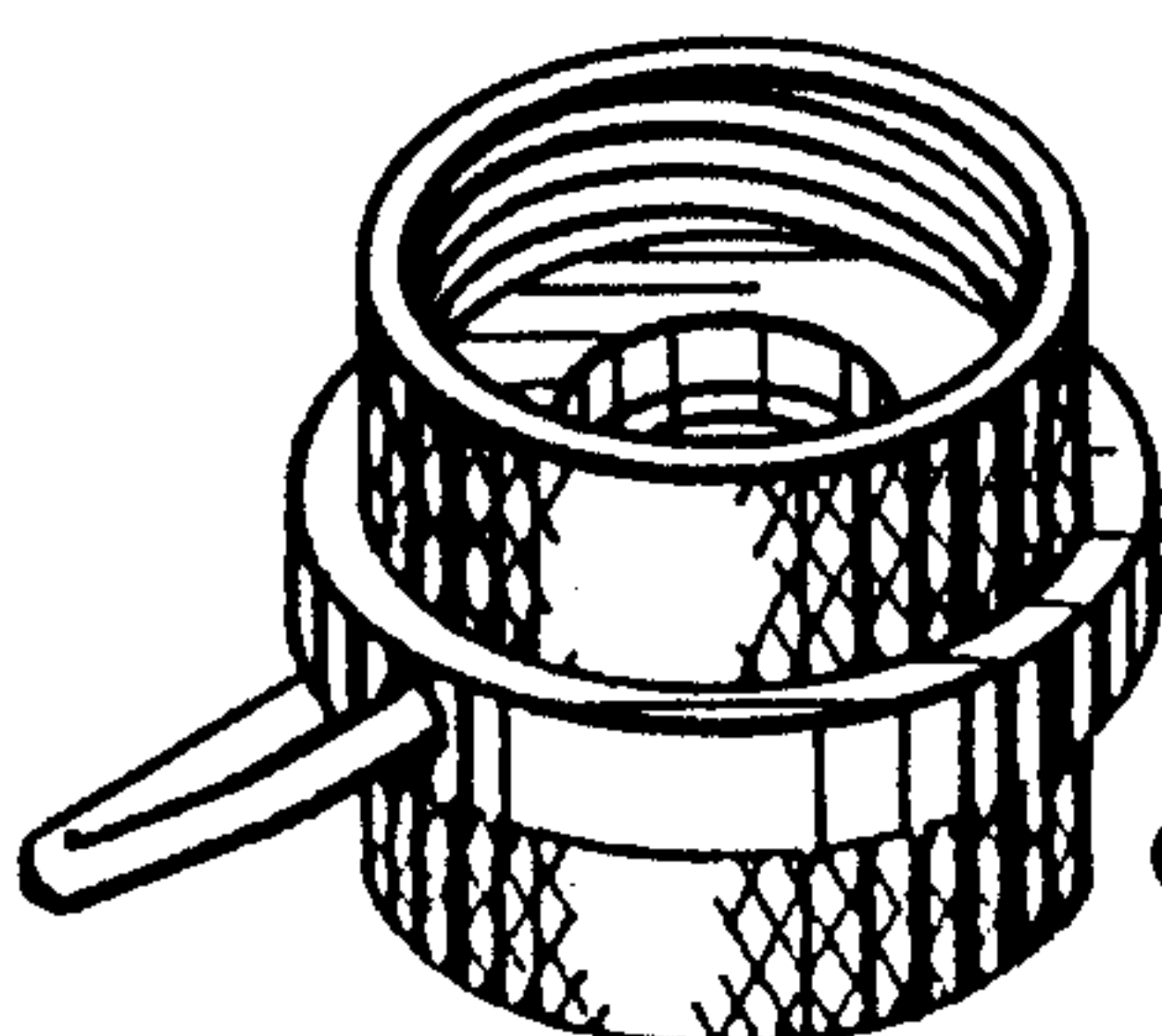


FIG. 7

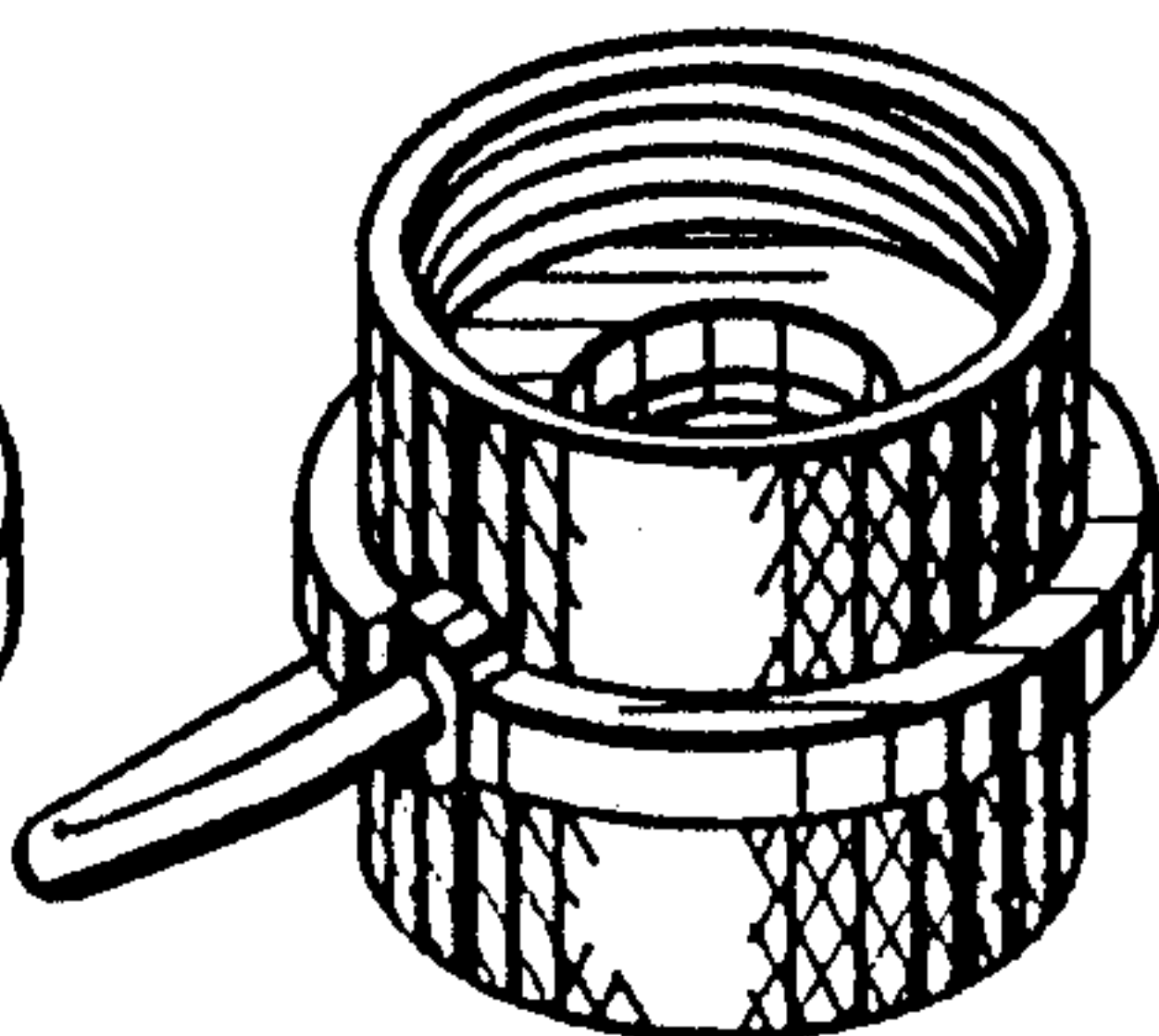


FIG. 8

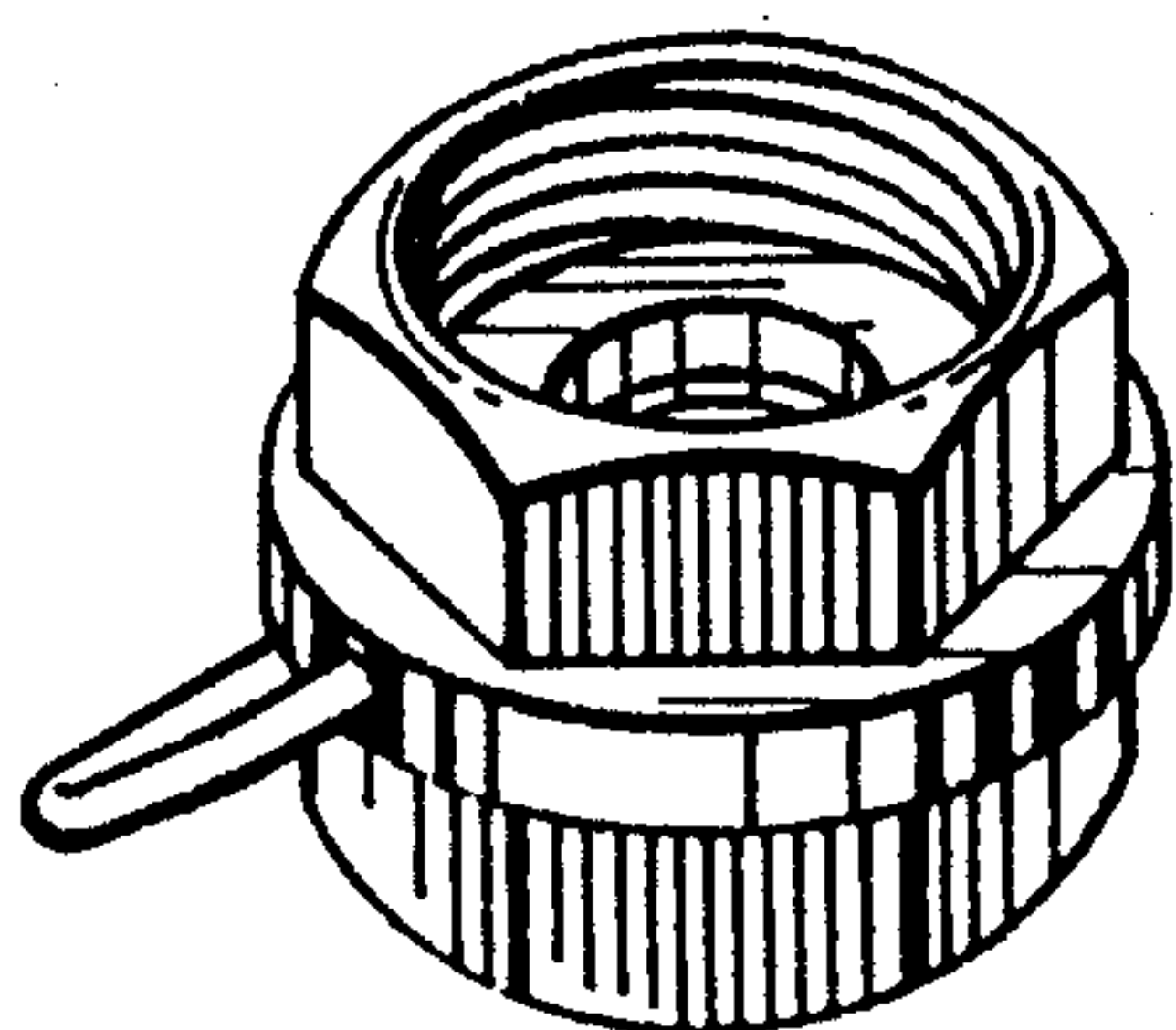


FIG. 9

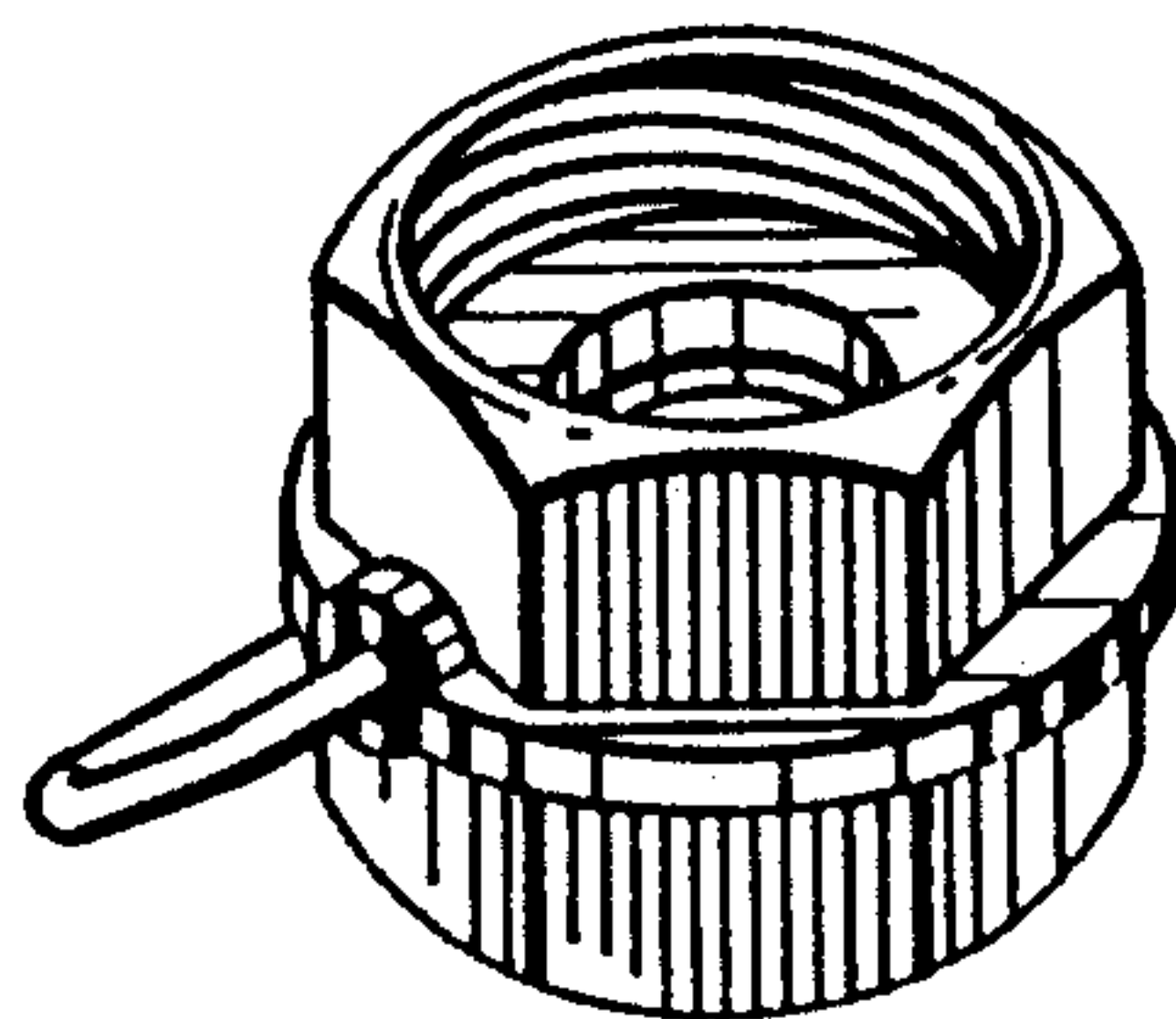


FIG. 10