

[54] ICE FISHING INSTRUMENT

[76] Inventor: John L. Masters, 8522 Old Mesabe Rd., Iron, Minn. 55751

[**] Term: 14 Years

[21] Appl. No.: 114,379

[22] Filed: Oct. 30, 1987

[52] U.S. Cl. D22/134

[58] Field of Search D22/134, 149; D26/38, D26/46; 43/4, 18.1, 24, 16, 19.2, 17

[56] References Cited

U.S. PATENT DOCUMENTS

2,785,493	3/1957	Thiel	43/17
3,888,035	6/1975	Totten et al.	43/17
4,246,716	1/1981	Elmer	43/17
4,270,297	6/1981	Yates	43/4
4,565,024	1/1986	Maerz	43/17
4,566,216	1/1986	Randall	43/17

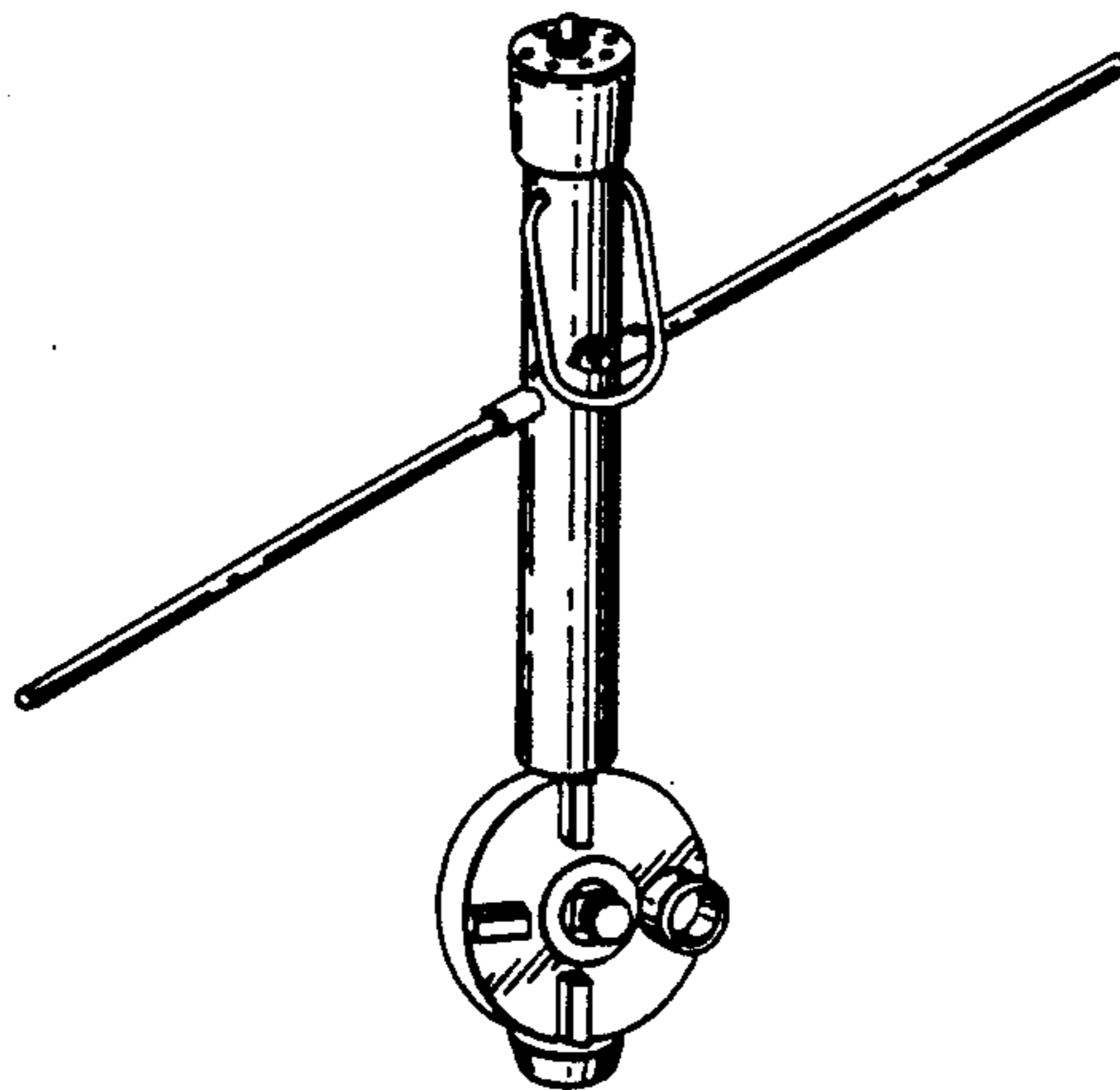
Primary Examiner—A. Hugo Word
Assistant Examiner—Doris V. Coles
Attorney, Agent, or Firm—Thomas A. Lennon

[57] CLAIM

The ornamental design for an ice fishing instrument, as shown.

DESCRIPTION

FIG. 1 is a perspective view of the ice fishing instrument embodying my new design, taken from the right front side thereof with the support arms in operative position; and
FIG. 2 is a front elevational view thereof; and
FIG. 3 is a rear elevational view thereof; and
FIG. 4 is a side elevational view as viewed from one side thereof; and
FIG. 5 is a side elevational view as viewed from the other side thereof; and
FIG. 6 is a top plan view thereof; and
FIG. 7 is a bottom plan view thereof.



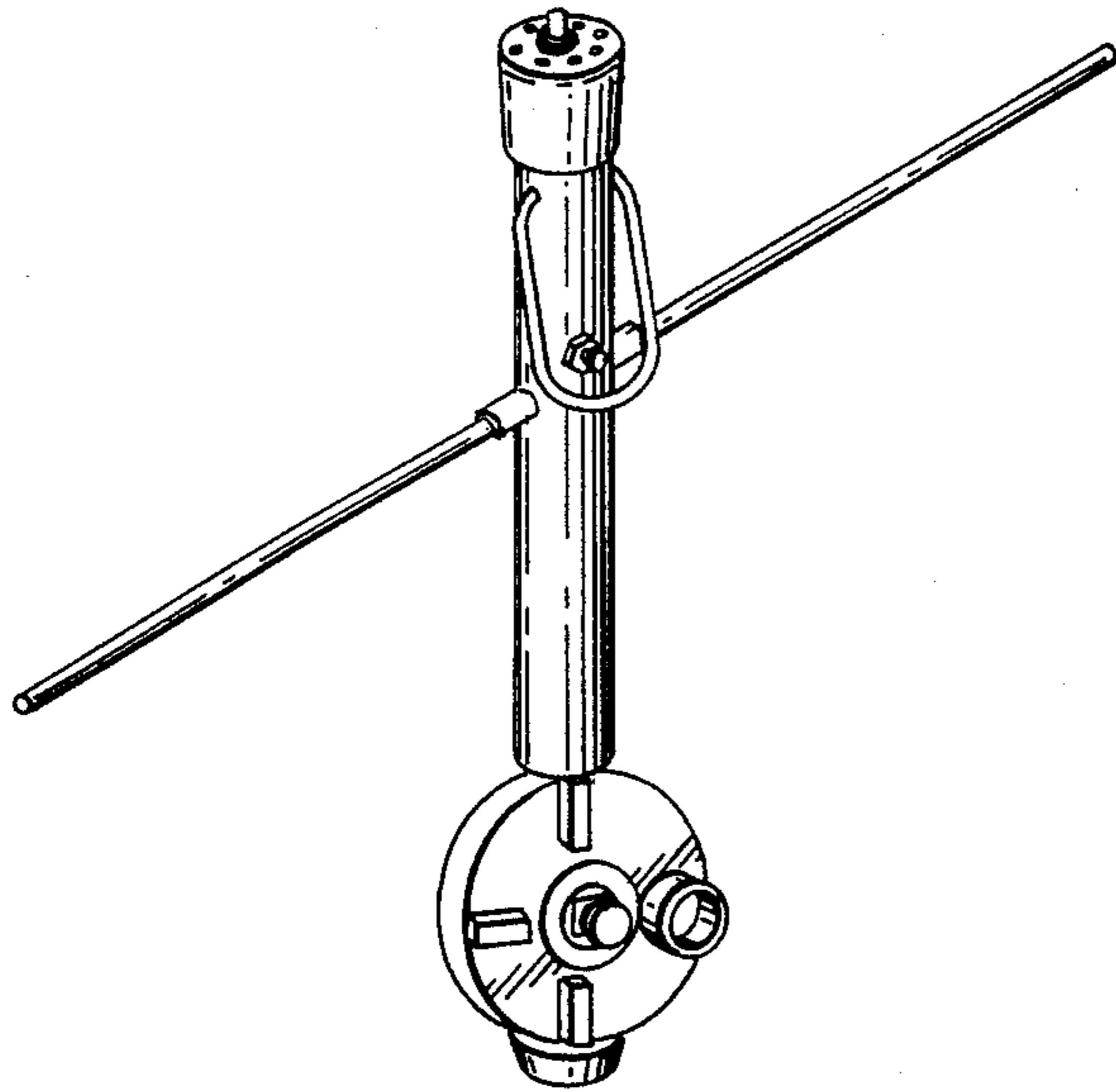


FIG. 1

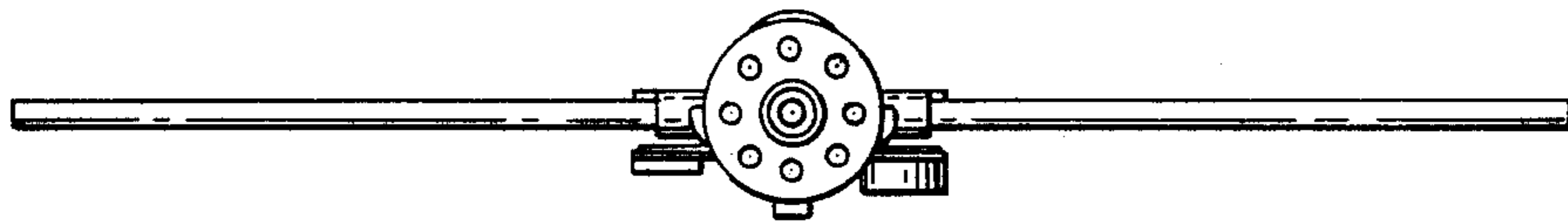


FIG. 6

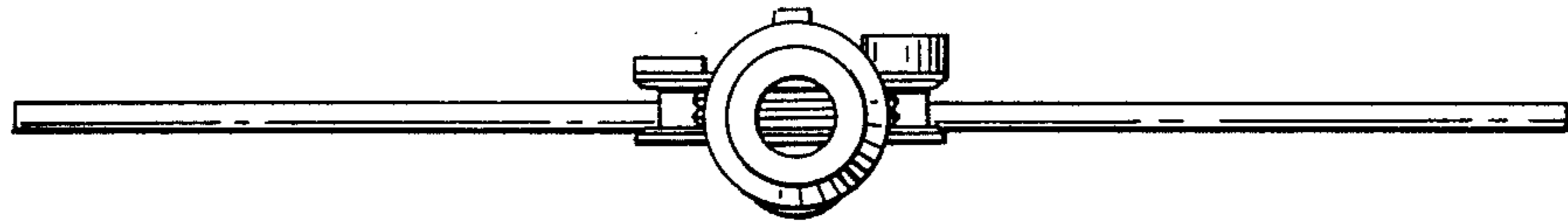


FIG. 7

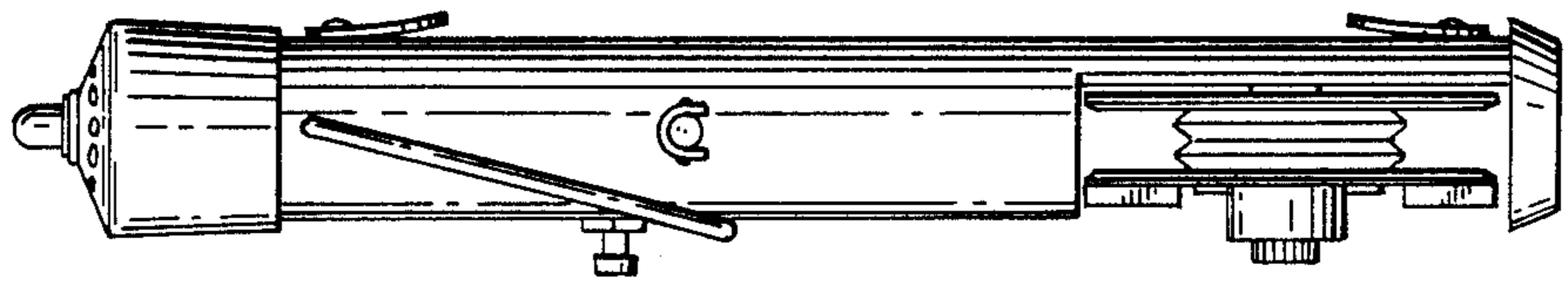


FIG. 1

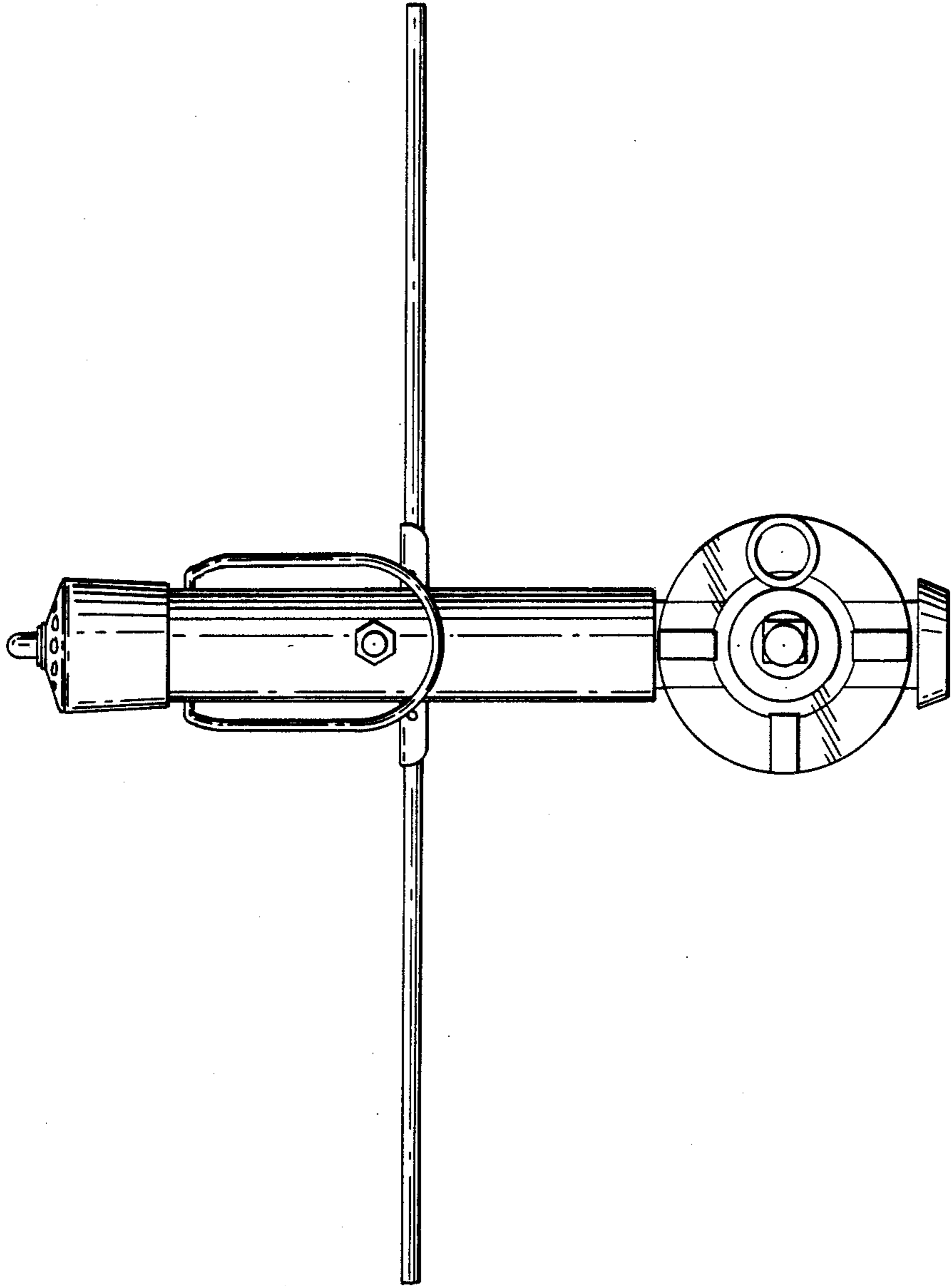


FIG. 2

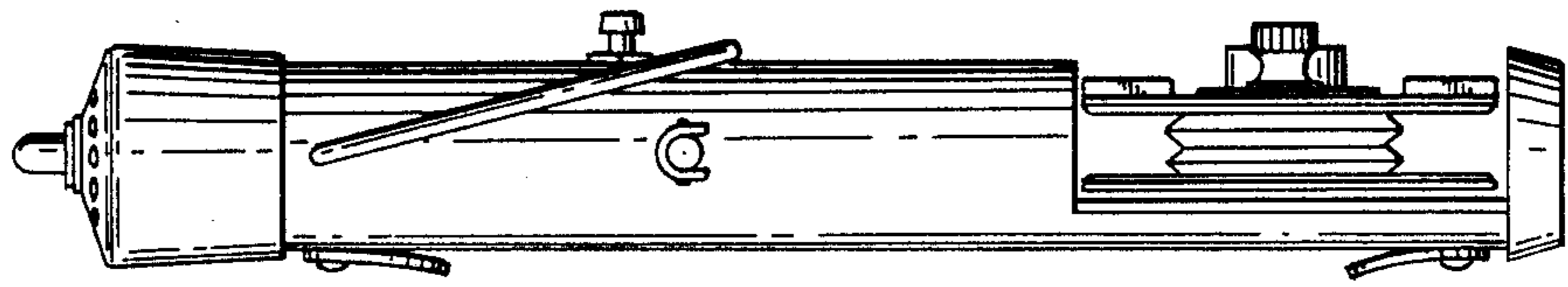


FIG. 5

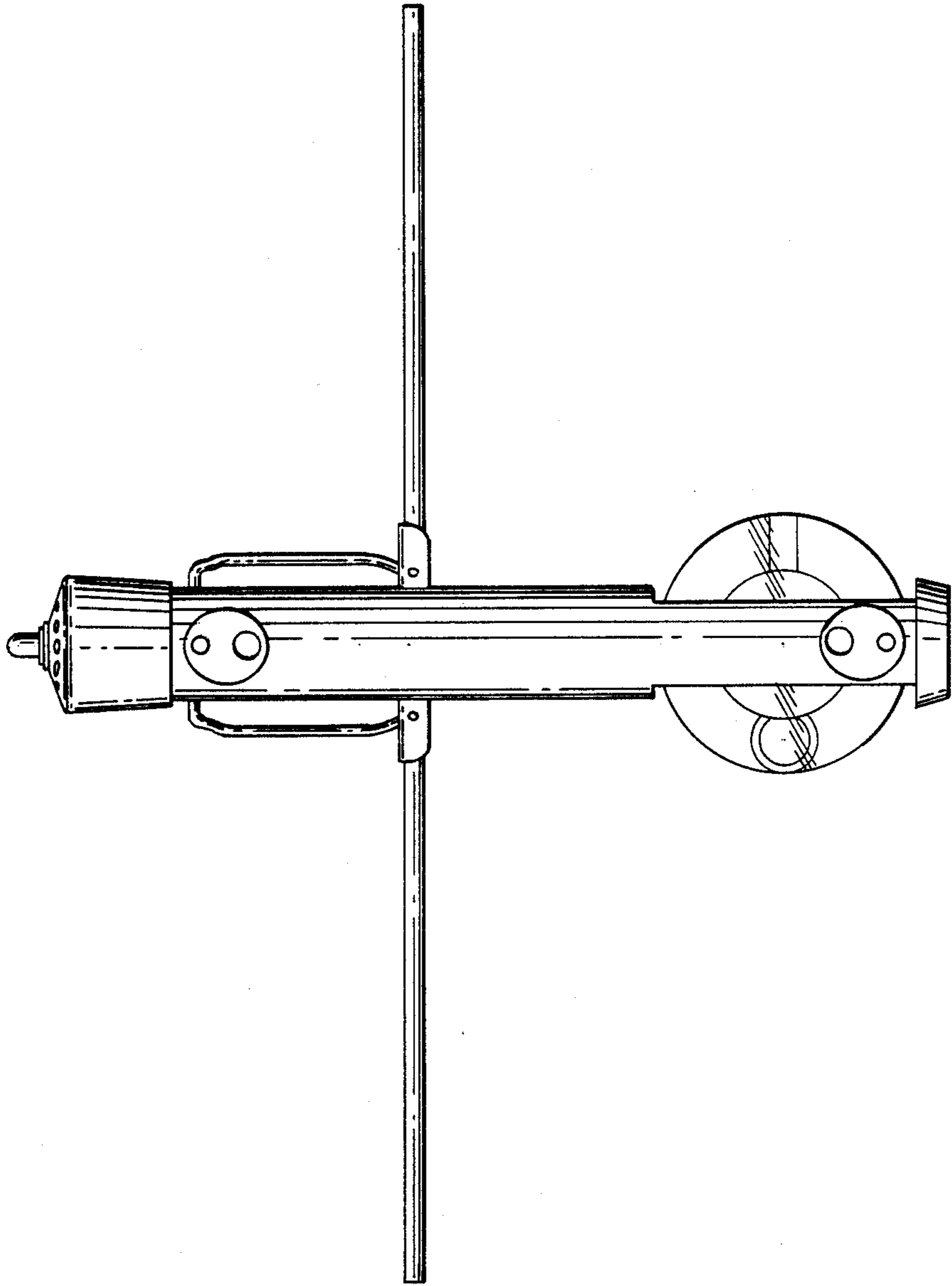


FIG. 3