

United States Patent [19]

Guilbeaux, Jr.

[11] Patent Number: Des. 310,400

[45] Date of Patent: ** Sep. 4, 1990

[54] TOY GUN

[76] Inventor: Arthur Guilbeaux, Jr., 3012 South Dr., Groves, Tex. 77619

[**] Term: 14 Years

[21] Appl. No.: 184,177

[22] Filed: Apr. 21, 1988

[52] U.S. Cl. D21/148

[58] Field of Search D21/145, 146, 147;
D22/103, 104, 105, 100, 101; 446/15, 18, 20,
398, 401, 405

D. 142,551 10/1945 Frankel D21/147
D. 173,425 11/1954 Gurtov D21/147
D. 282,764 2/1986 Megargee D21/146
D. 289,068 3/1987 Moomaw D21/91
1,216,258 2/1917 Andersen 446/401

Primary Examiner—Charles A. Rademaker
Assistant Examiner—Alicia A. Farrell
Attorney, Agent, or Firm—Kenneth A. Roddy

[57] CLAIM

The ornamental design for a toy gun, as shown and described.

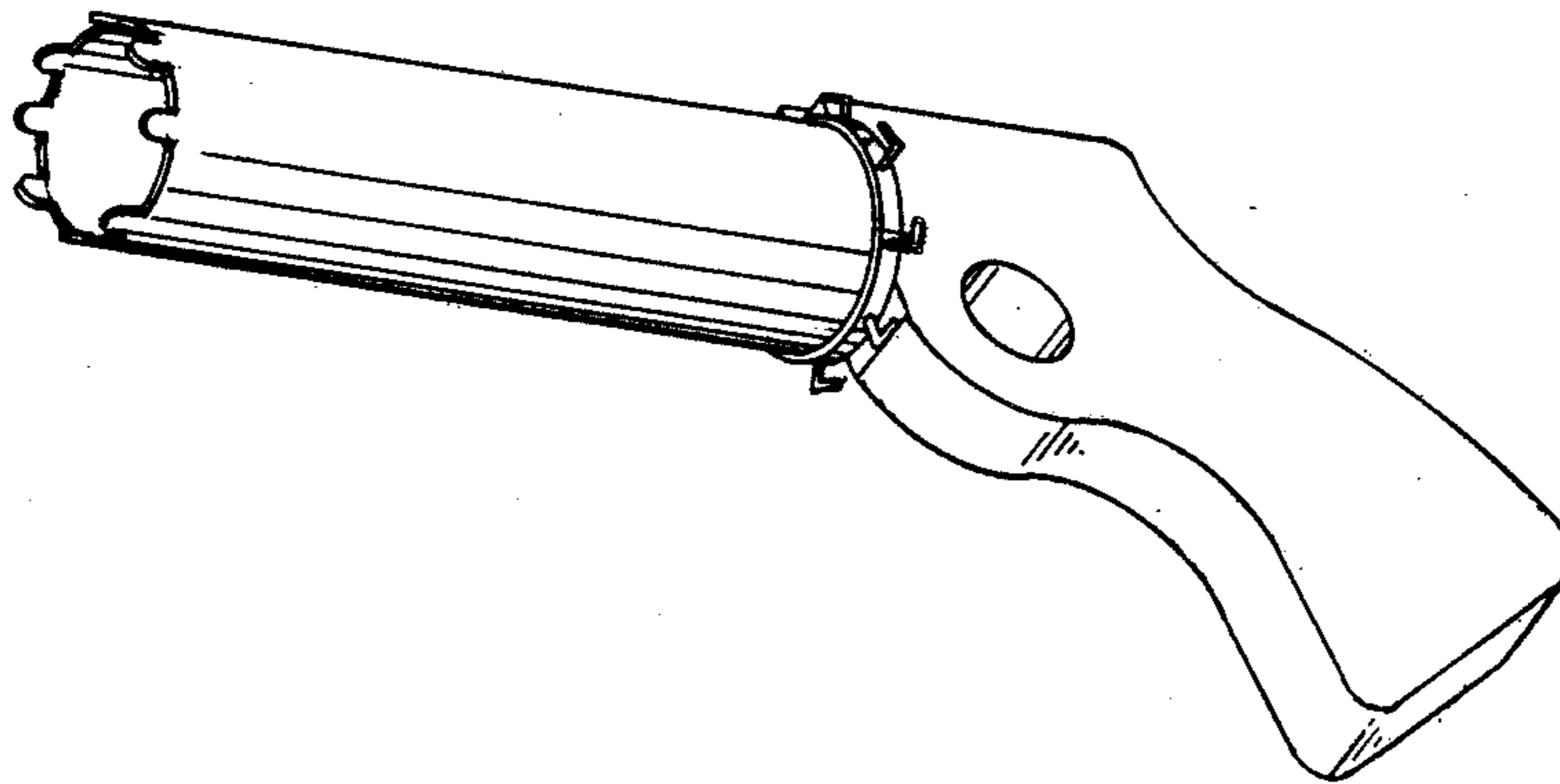
DESCRIPTION

FIG. 1 is a top plan view of a toy gun showing my new design; and
FIG. 2 is a bottom perspective view thereof.
The rear elevational view is substantially plain and unornamented.

[56] References Cited

U.S. PATENT DOCUMENTS

D. 24,448 7/1895 Markham D22/104
D. 27,808 11/1897 Ives D21/146
D. 138,566 8/1944 Bollmeier D21/147



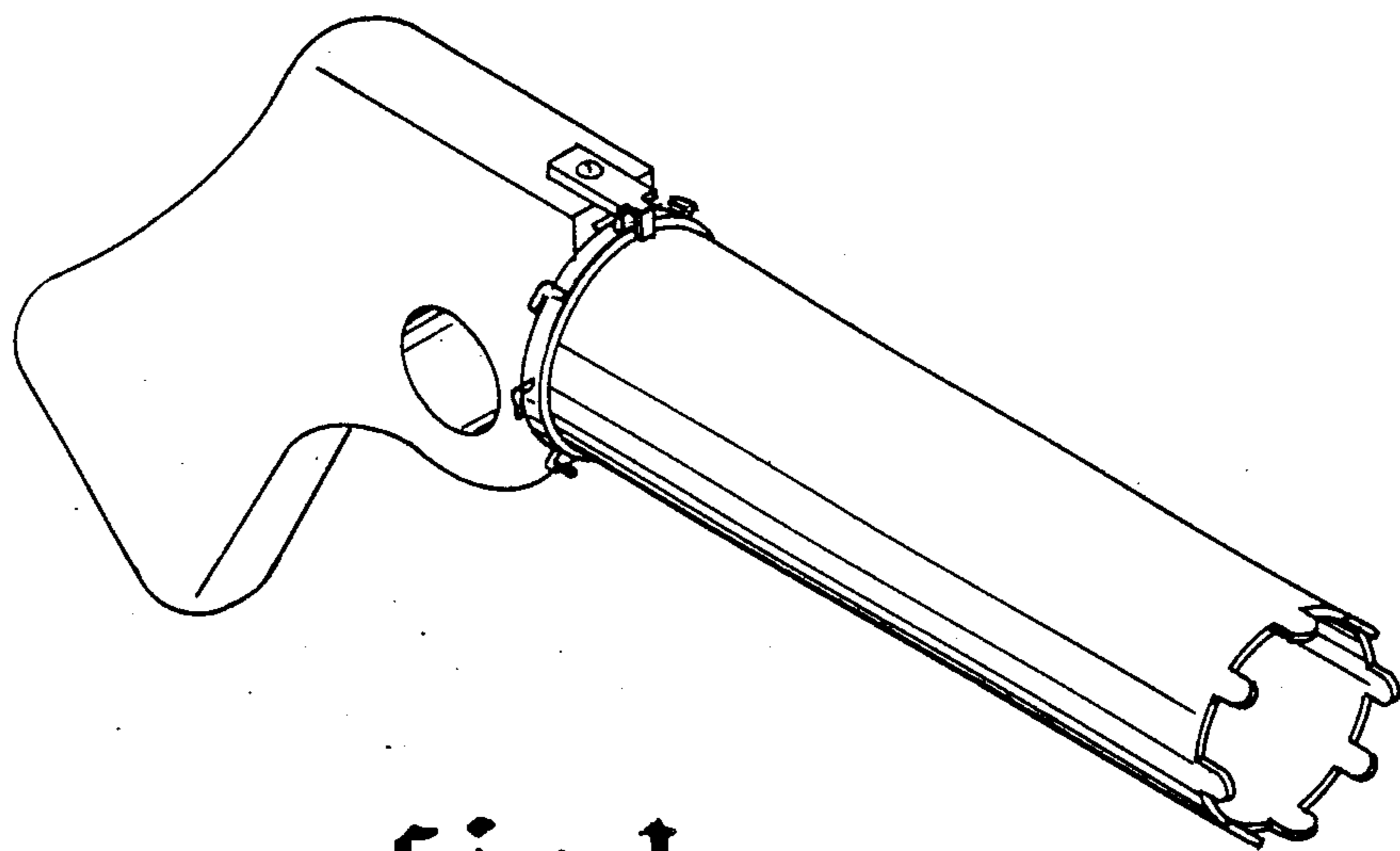


fig.1

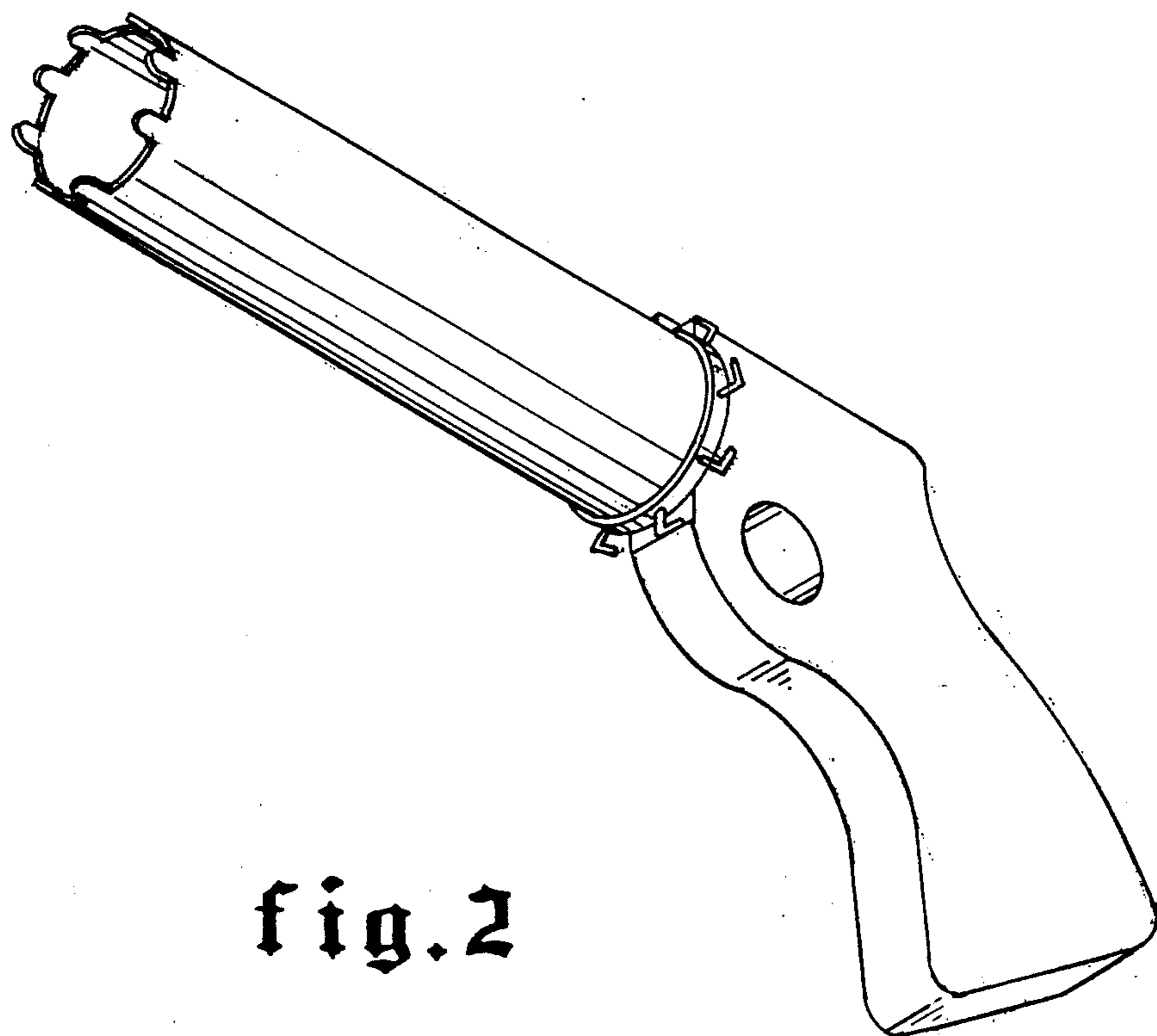


fig.2