

[54] **STACKING TOY**

[75] **Inventors: David C. Roy; Marjorie E. C. Roy,**  
both of Stafford Springs, Conn.

[73] **Assignee: The Quaker Oats Company, Chicago,**  
Ill.

[\*\*] **Term: 14 Years**

[21] **Appl. No.: 102,091**

[22] **Filed: Sep. 29, 1987**

[52] **U.S. Cl. .... D21/59**

[58] **Field of Search .... D21/59, 108, 102;**  
446/4, 168, 268, 308, 311, 324, 325, 396

[56] **References Cited**

**U.S. PATENT DOCUMENTS**

D. 271,897 12/1983 Ma ..... D21/59

D. 278,920 5/1985 Wichman ..... D21/59

D. 279,393 6/1985 Hilko ..... D21/59

D. 291,583 8/1987 Bateman et al. .... D21/59

D. 300,542 4/1989 Thompson et al. .... D21/59

*Primary Examiner*—Charles A. Rademaker  
*Attorney, Agent, or Firm*—Cumpston & Shaw

[57] **CLAIM**

The ornamental design for a stacking toy, as shown and described.

**DESCRIPTION**

FIG. 1 is a front-elevational view of a stacking toy showing my new design;

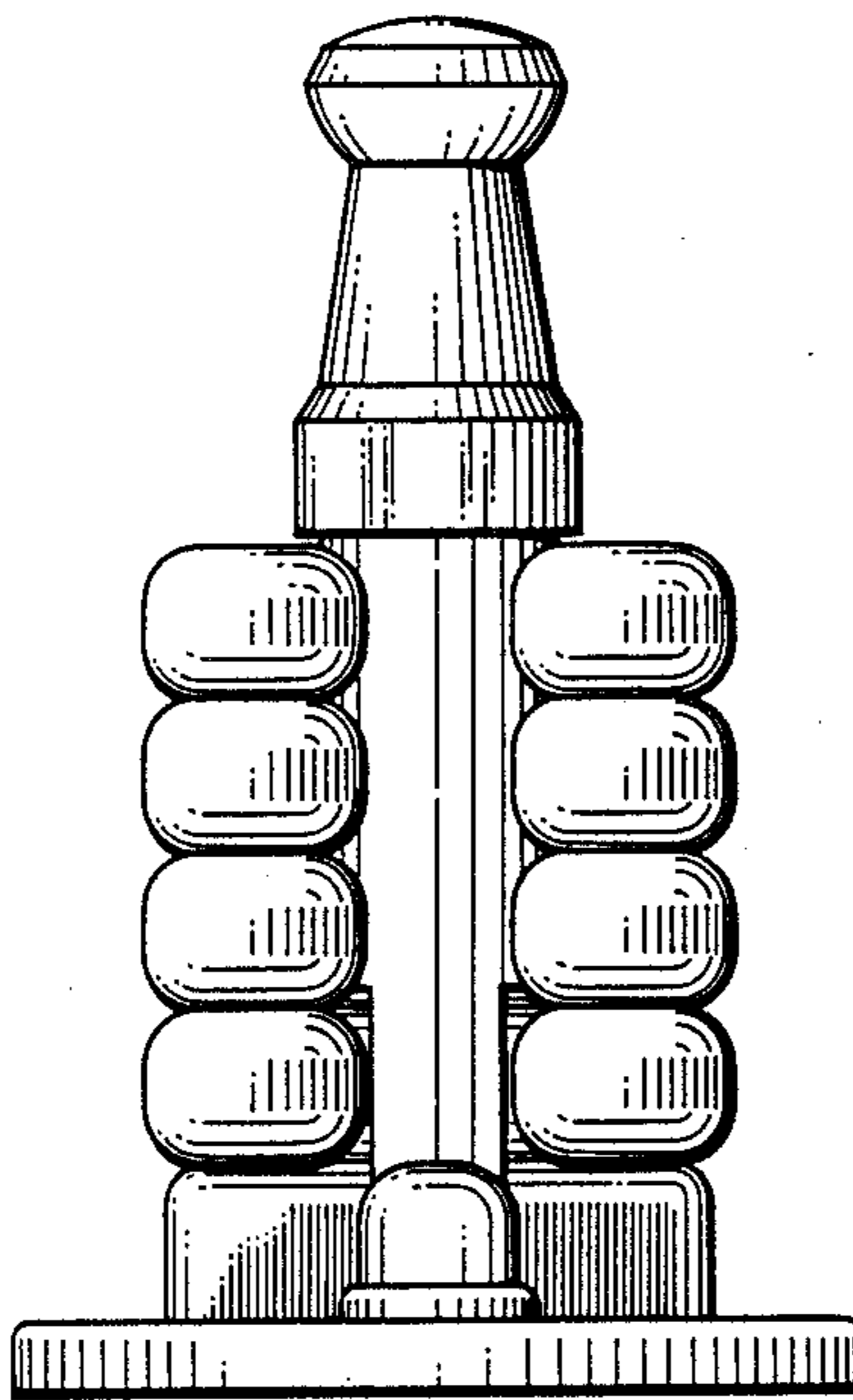
FIG. 2 is a rear elevational view thereof;

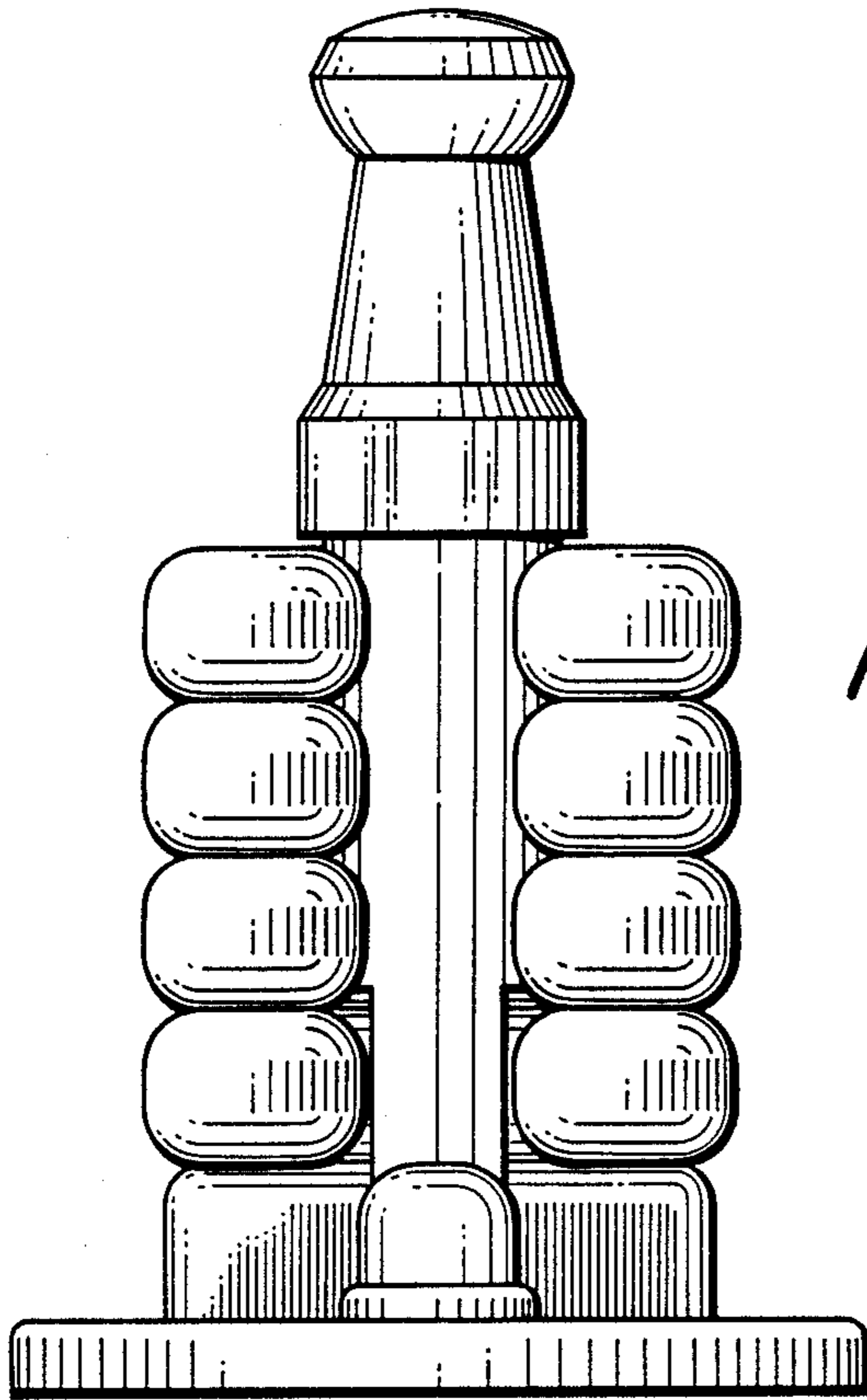
FIG. 3 is a left-side elevational view thereof;

FIG. 4 is a right-side elevational view thereof;

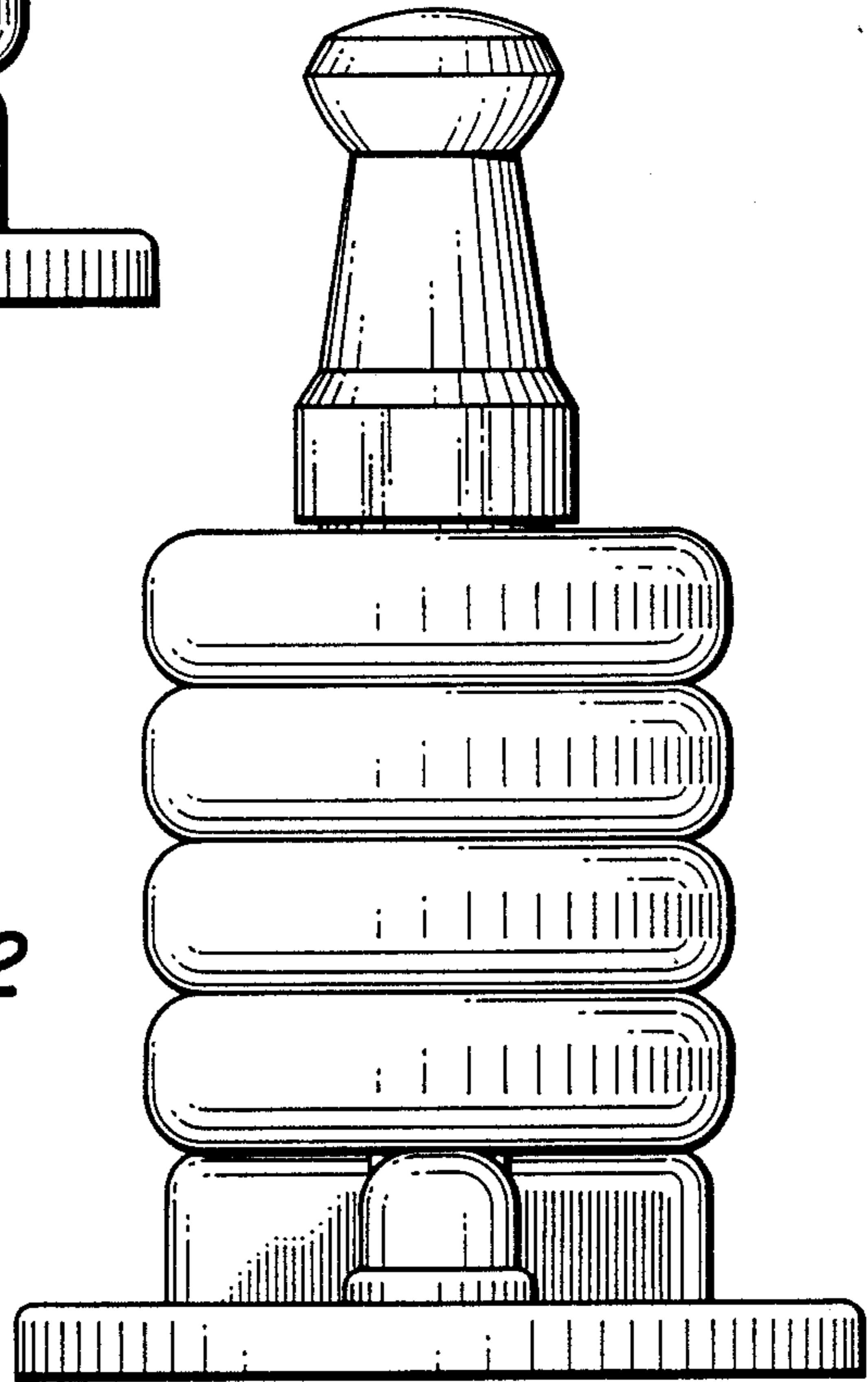
FIG. 5 is a top plan view thereof; and

FIG. 6 is a bottom plan view.



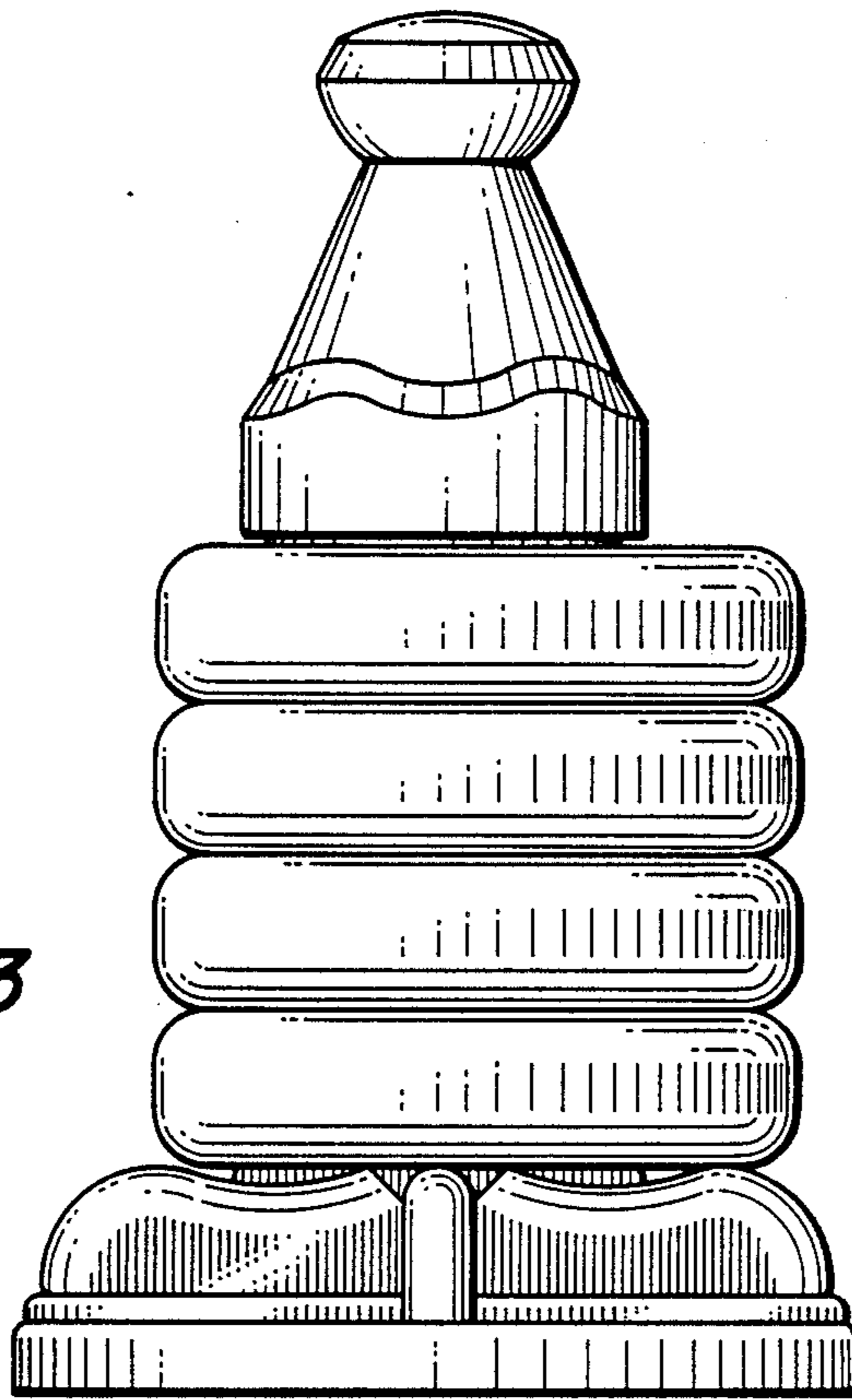


*FIG. 1*

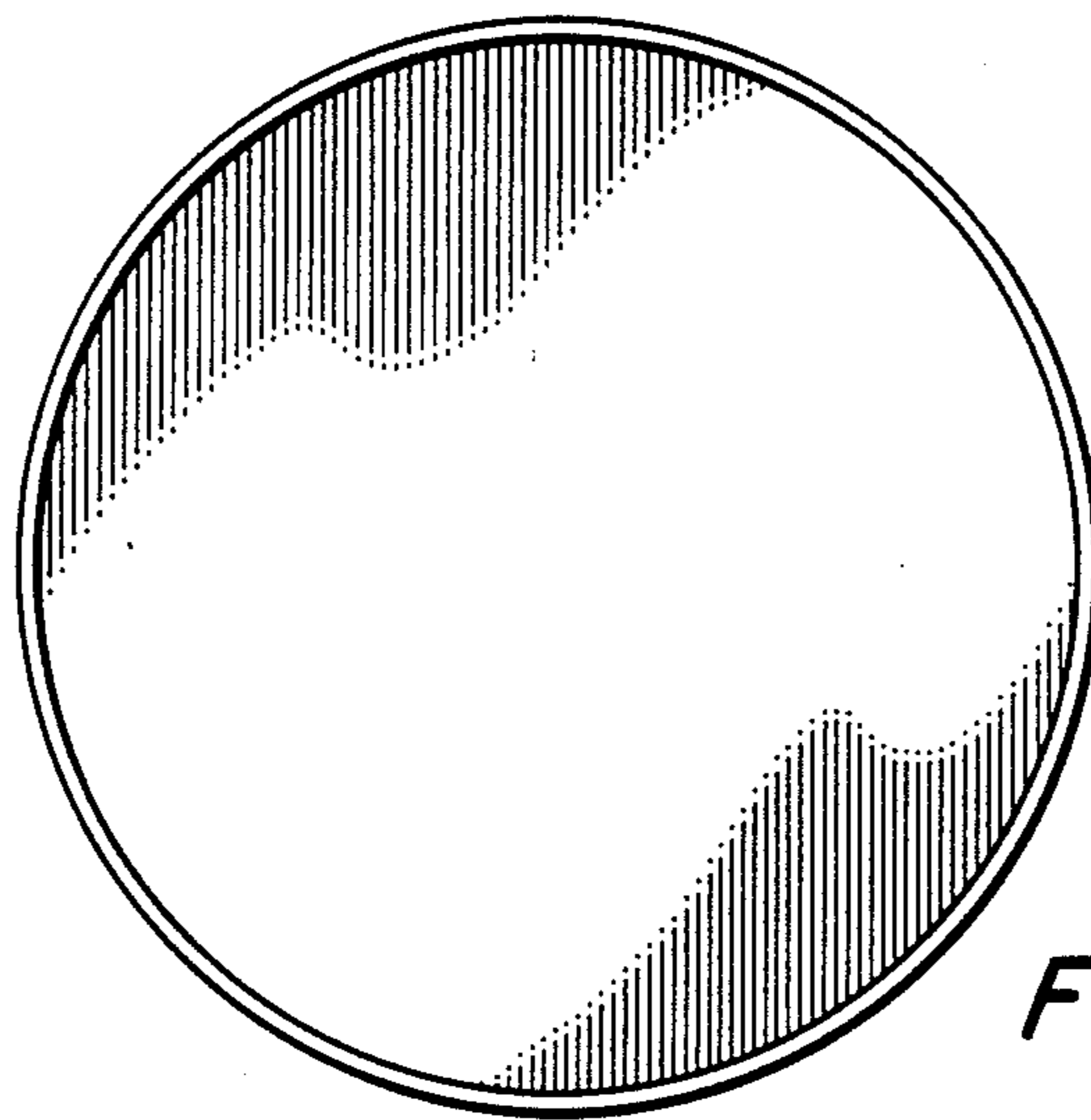


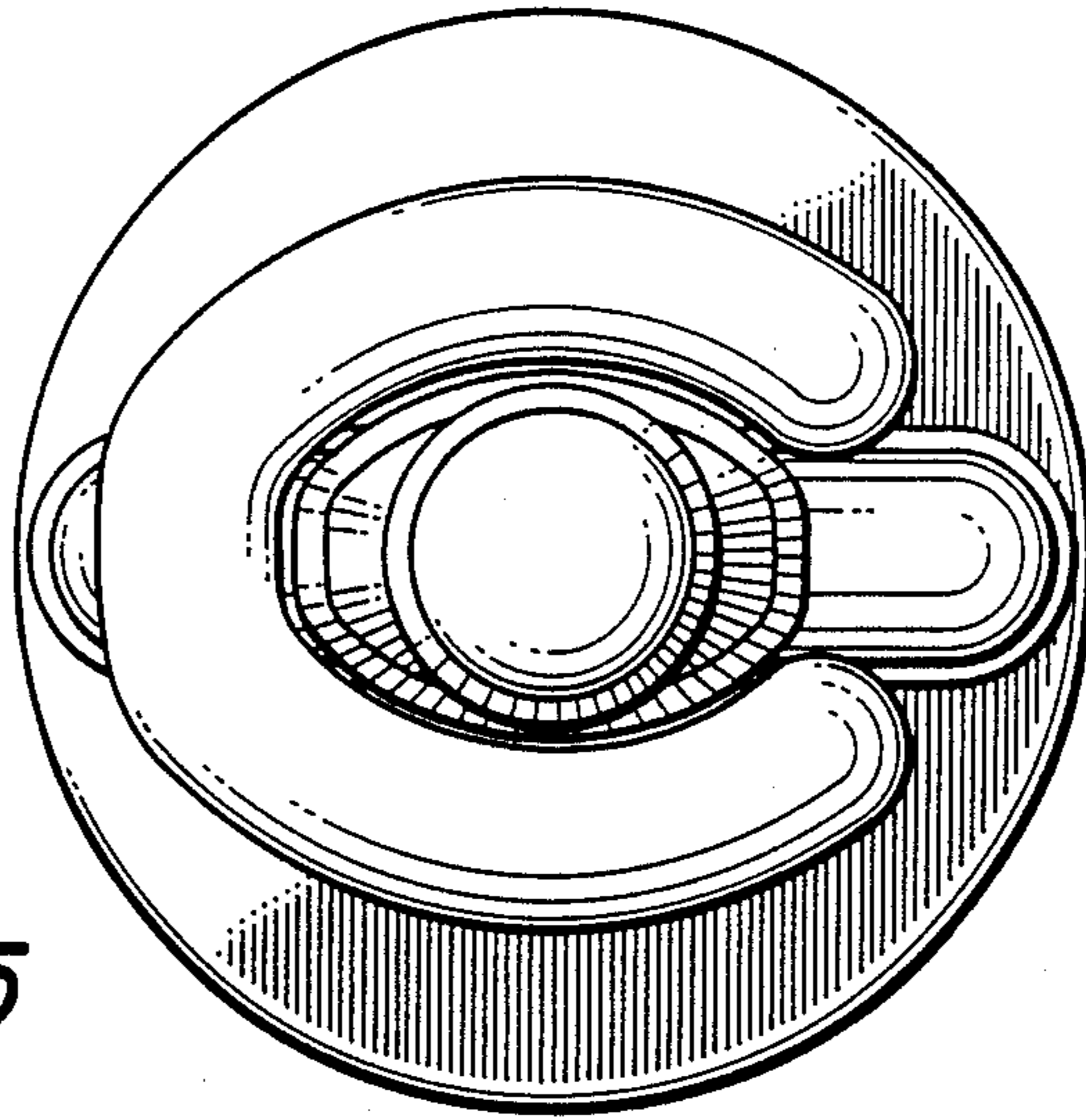
*FIG. 2*

*FIG. 3*

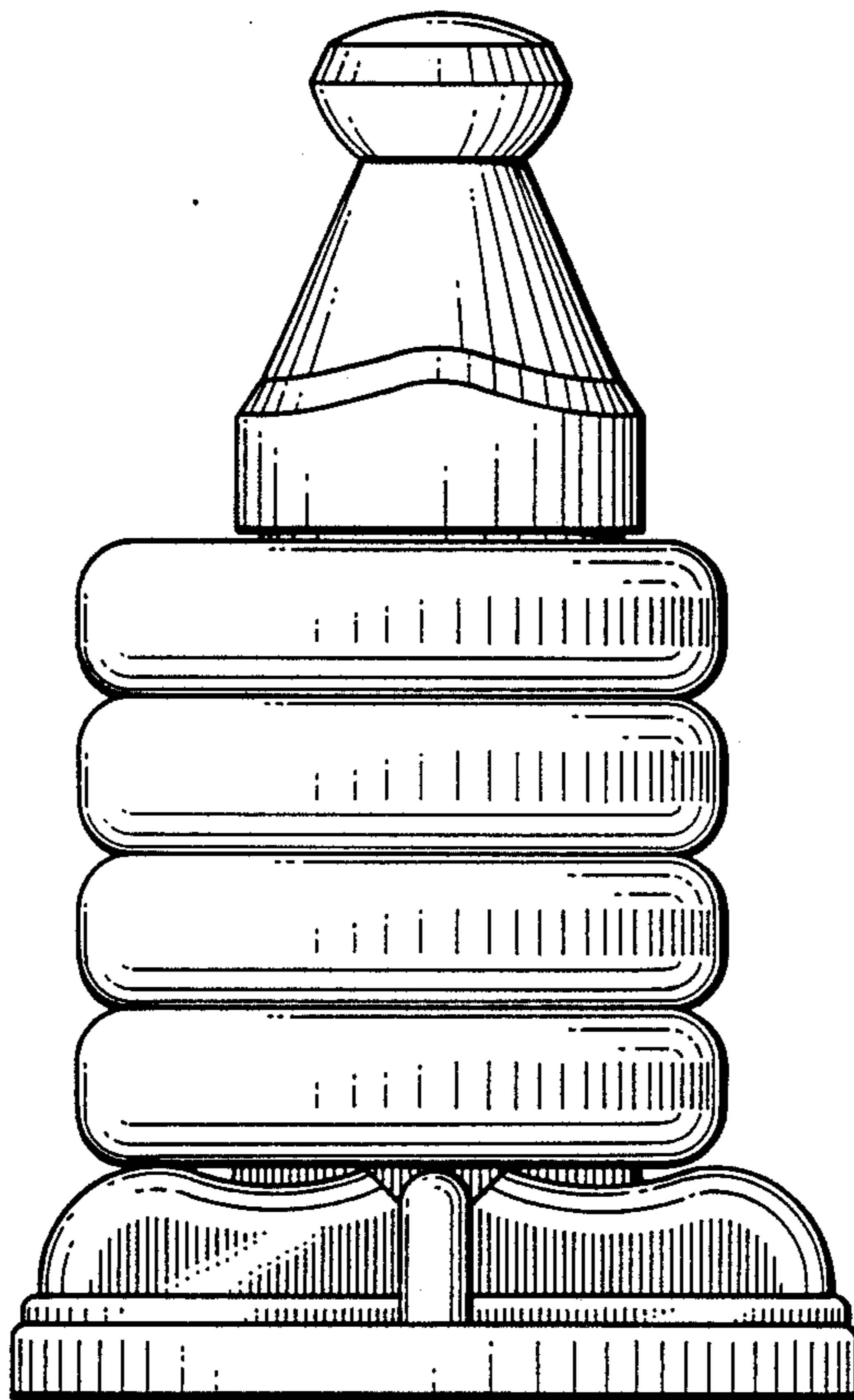


*FIG. 6*





*FIG. 5*



*FIG. 4*