

United States Patent [19]

Wingate et al.

[11] Patent Number: **Des. 310,382**

[45] Date of Patent: **** Sep. 4, 1990**

[54] **STILL CAMERA**

[75] Inventors: **Barry Wingate, San Jose; Hartmut H. Esslinger, Los Gatos, both of Calif.**

[73] Assignee: **Eastman Kodak Company, Rochester, N.Y.**

[*] Notice: The portion of the term of this patent subsequent to Jul. 31, 2004 has been disclaimed.

[**] Term: **14 Years**

[21] Appl. No.: **56,840**

[22] Filed: **Jun. 2, 1987**

[52] U.S. Cl. **D16/209; D16/200**

[58] Field of Search **D16/200, 208, 209**

[56] **References Cited**

U.S. PATENT DOCUMENTS

- D. 289,176 4/1987 Yoshida et al. D16/209
- D. 290,464 6/1987 Kato D16/209

- D. 293,325 12/1987 Kato D16/209
- D. 295,527 5/1988 Soda et al. D16/209
- D. 296,112 6/1988 Goto D16/209
- D. 296,333 6/1988 Inoue D16/209

OTHER PUBLICATIONS

Popular Photography, Dec. 1984, p. 35.
35 mm. Photography, Aug. 1985, p. 5.

Primary Examiner—Charles A. Rademaker
Assistant Examiner—Adair Aronovich
Attorney, Agent, or Firm—Roger A. Fields

[57] **CLAIM**

The ornamental design for a still camera, as shown.

DESCRIPTION

FIG. 1 is a top front perspective view of a still camera with the lens cover in an open position, showing our new design;

FIG. 2 is a top front perspective view thereof, with the lens cover in a closed position; and

FIG. 3 is a bottom rear perspective view thereof.

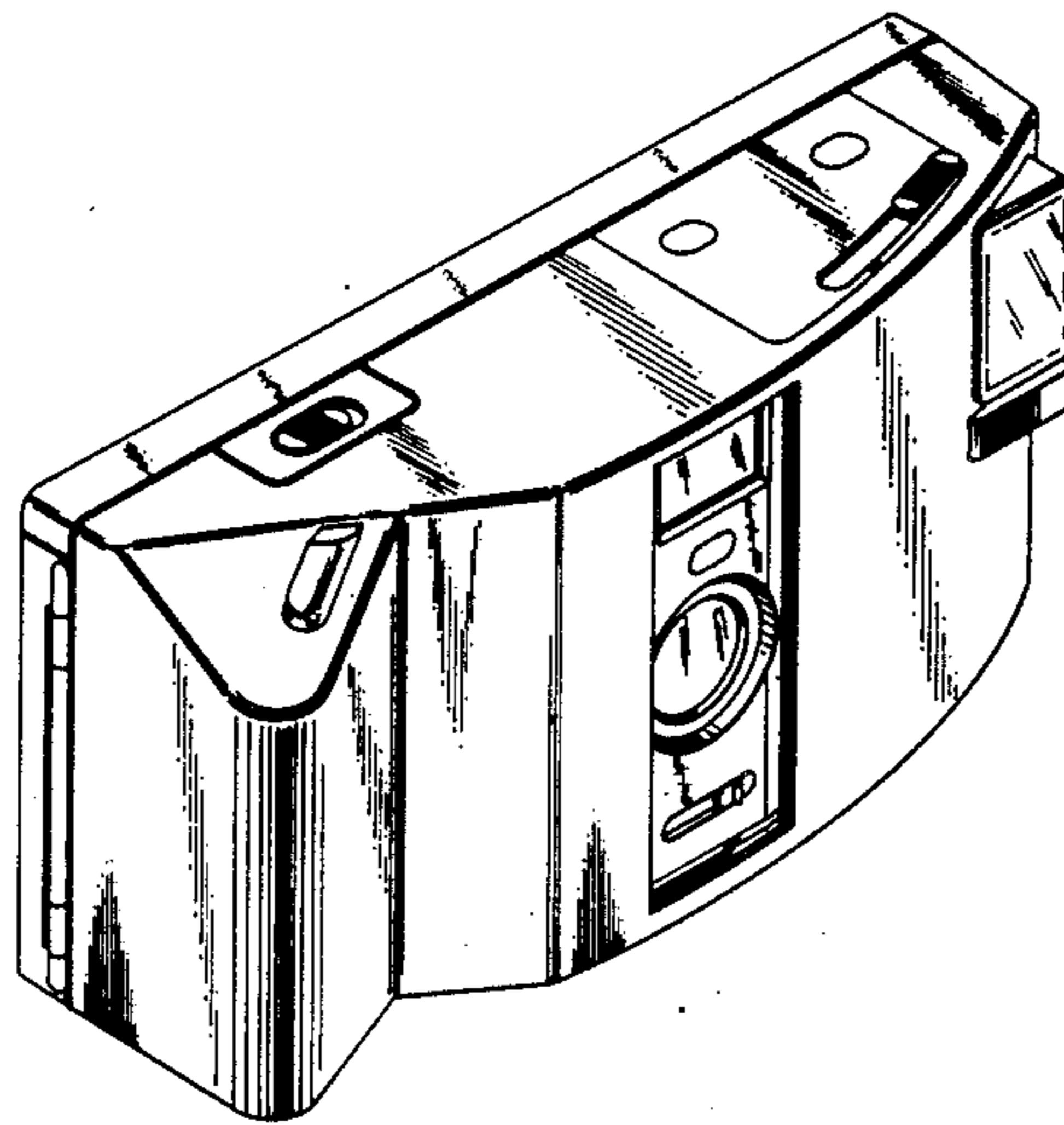
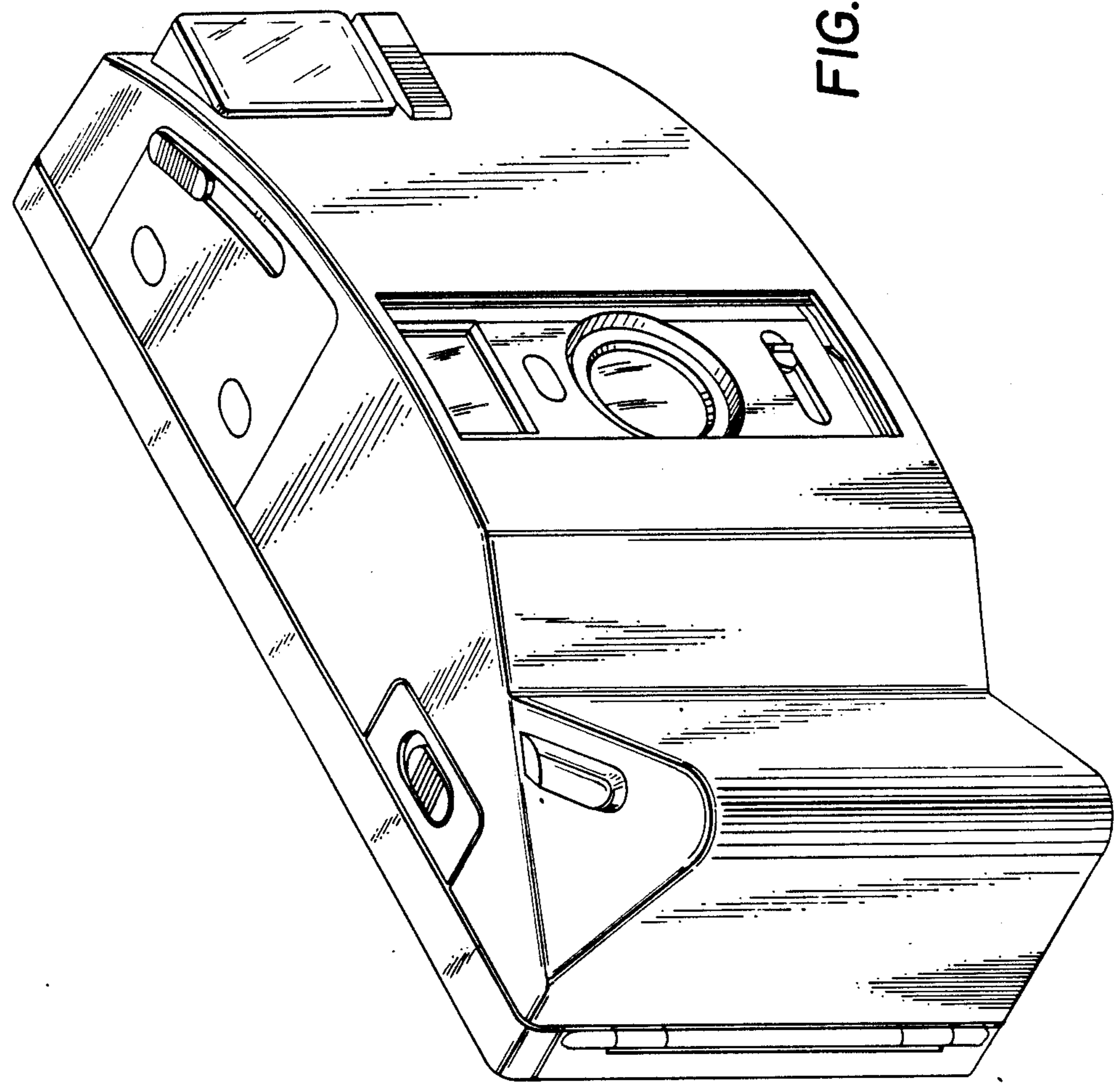


FIG. 1



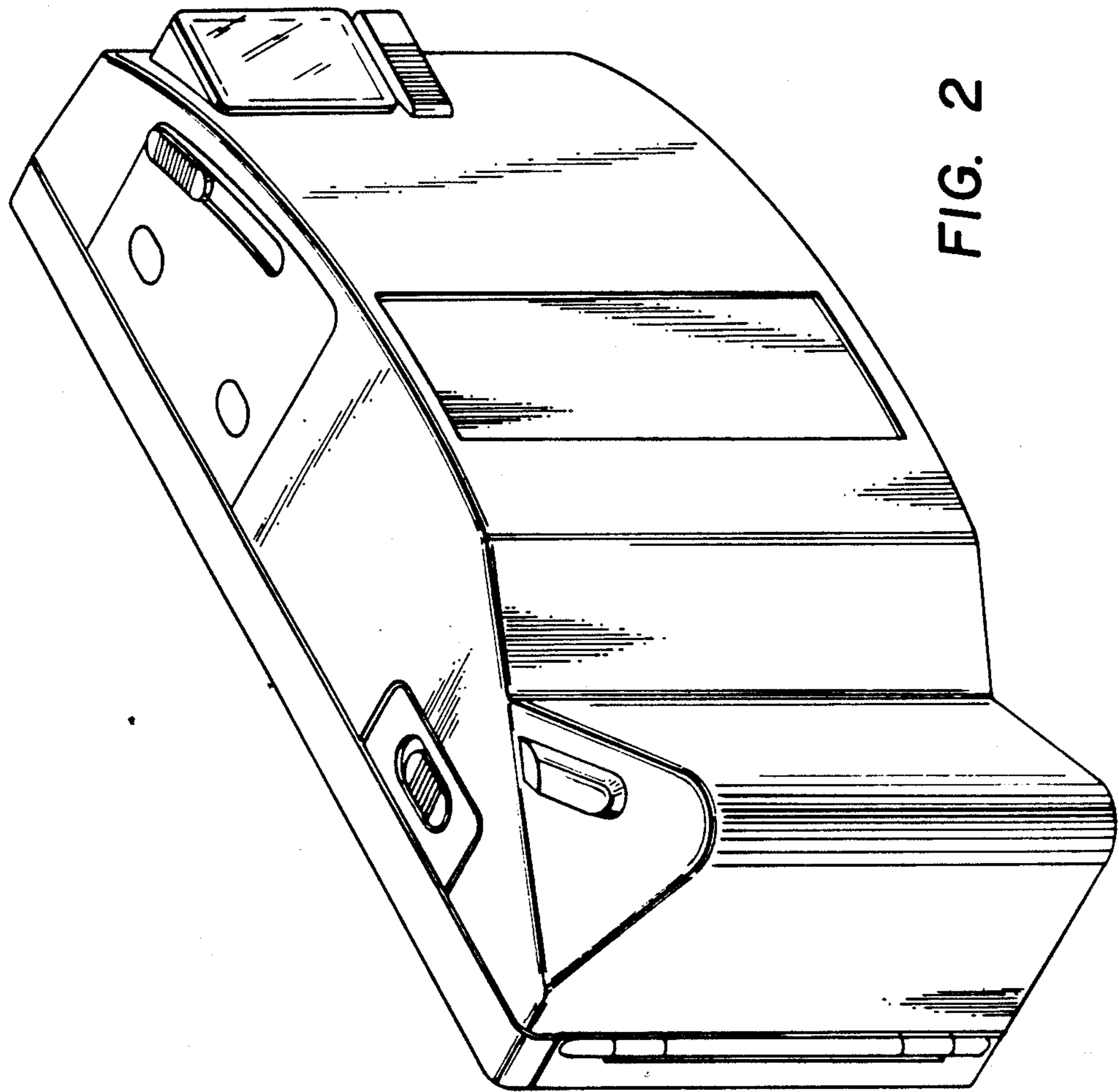


FIG. 2

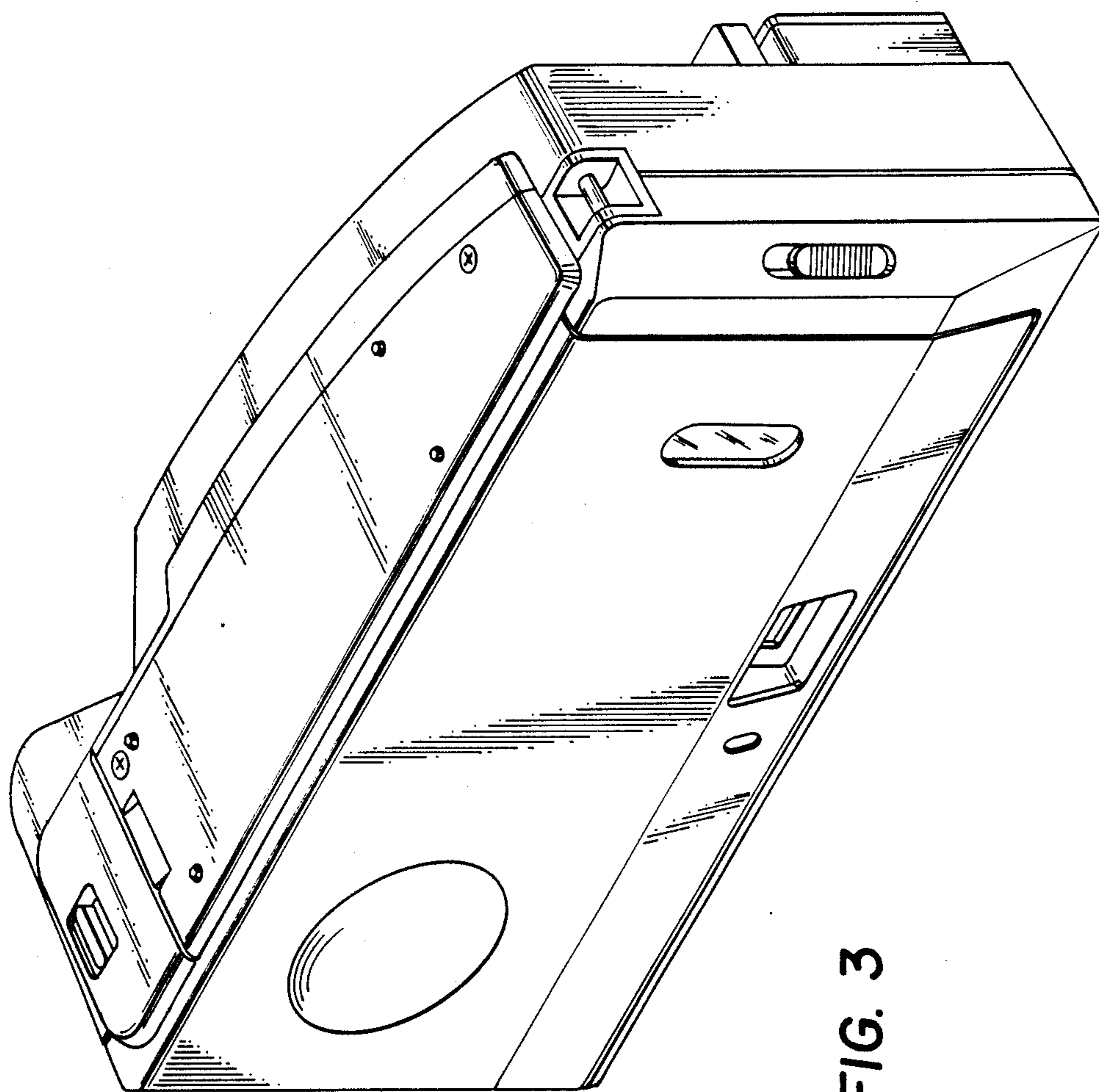


FIG. 3