

[54] **MULTIPLE FUNCTION IMAGE SWITCHING ATTACHMENT FOR A TELESCOPE OR SIMILAR ARTICLE**

[76] **Inventor: Jeffrey R. Charles, 10461 Winger Cir., Sun City, Ariz. 85351**

[**] **Term: 14 Years**

[21] **Appl. No.: 348,650**

[22] **Filed: May 8, 1989**

[52] **U.S. Cl. D16/136; D16/130; D16/132**

[58] **Field of Search D16/132, 130, 134; 350/537, 567, 568, 574, 557**

[56] **References Cited**

U.S. PATENT DOCUMENTS

D. 141,692	6/1945	Nemeth	D16/136
D. 253,476	11/1979	Schneck et al.	D16/132
D. 268,768	4/1983	Melsheimer et al.	D16/132
D. 272,915	3/1984	Feinbloom et al.	D16/130
D. 275,496	9/1984	Condon	D16/132
D. 276,623	12/1984	Feinbloom	D16/130
D. 295,871	5/1988	Charles	D16/130
2,428,719	10/1947	Nemeth	D16/134
2,753,760	7/1956	Braymer	350/49
2,948,189	8/1961	Fischer	350/83 X
3,074,315	1/1963	Seibel et al.	350/567
3,468,597	9/1969	Jones	350/557

3,645,602	2/1972	Clavé et al.	350/422
3,871,741	3/1975	Clavé et al.	350/422
4,143,938	3/1979	Feinbloom	350/502
4,448,500	5/1984	Marling	350/574
4,682,091	7/1987	Krewalk et al.	D16/132

OTHER PUBLICATIONS

Sky and Telescope Magazine, Feb. 1983, bottom of p. 106, diagonal prism attachment on Questar telescope.
 Clavé Photo-Visual Optical Device.
 Sky and Telescope Magazine, Oct. 1985, back cover, diagonal micron attachment on Celestron telescope.

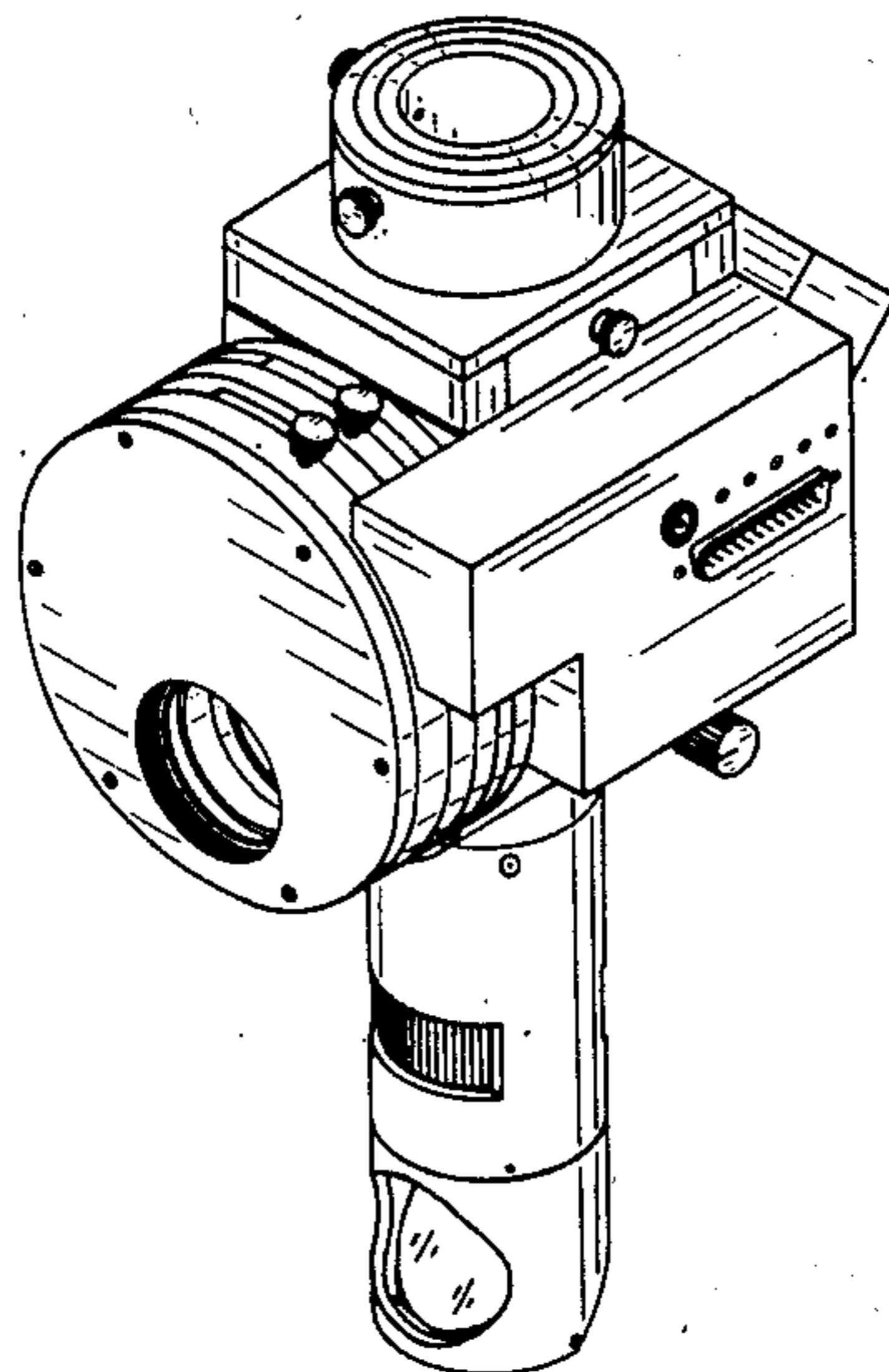
Primary Examiner—A. Hugo Word
Assistant Examiner—Doris V. Coles

[57] **CLAIM**

The ornamental design for a multiple function image switching attachment for a telescope or similar article, substantially as shown and described.

DESCRIPTION

FIG. 1 is a top plan view of a multiple function image switching attachment for a telescope or similar article showing my new design;
 FIG. 2 is a front elevational view thereof;
 FIG. 3 is a bottom plan view thereof;
 FIG. 4 is a rear elevational view thereof;
 FIG. 5 is a side elevational view thereof; and
 FIG. 6 is a cross-sectional view thereof, taken along line 6—6 of FIG. 2.



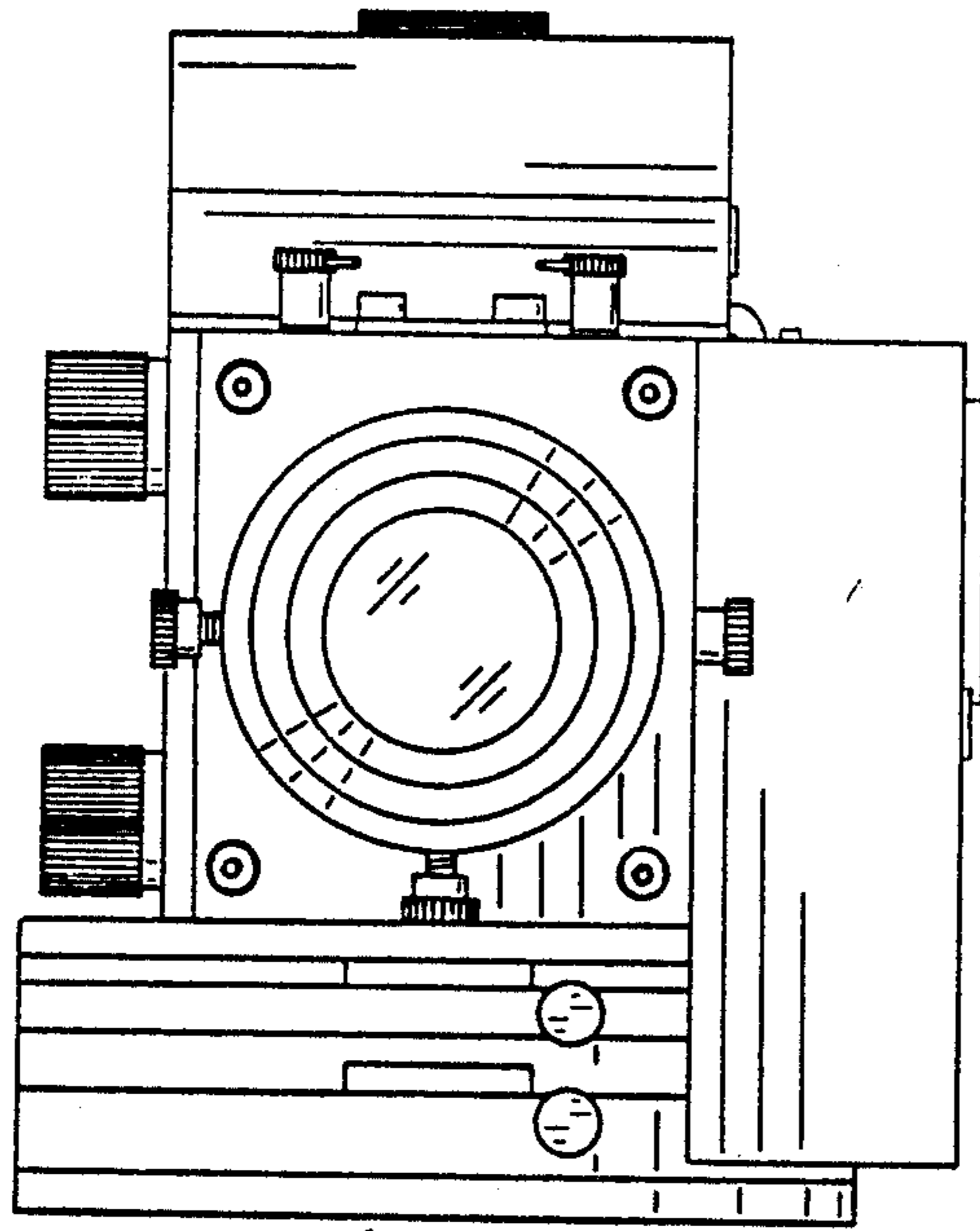


FIG. 1

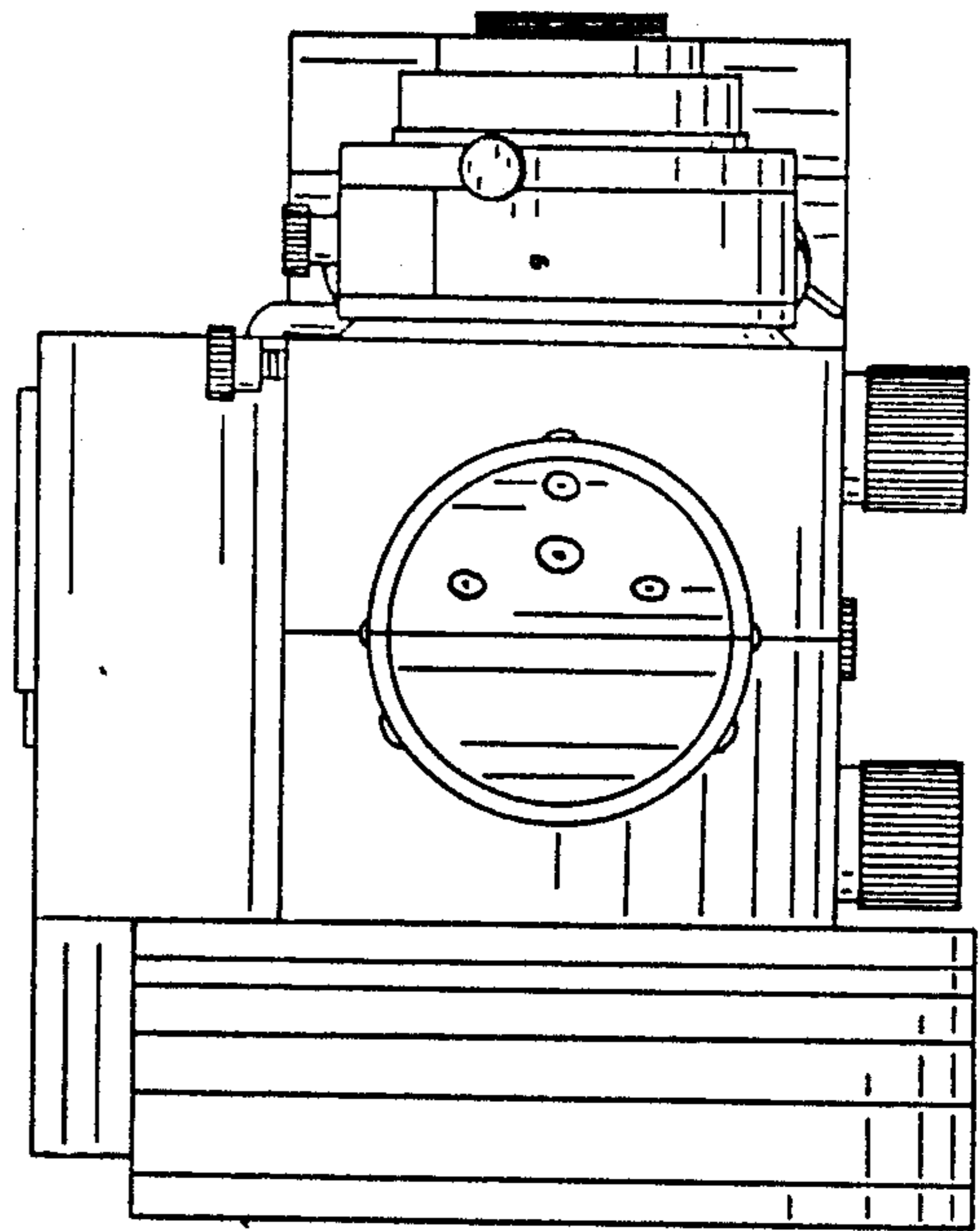


FIG. 3

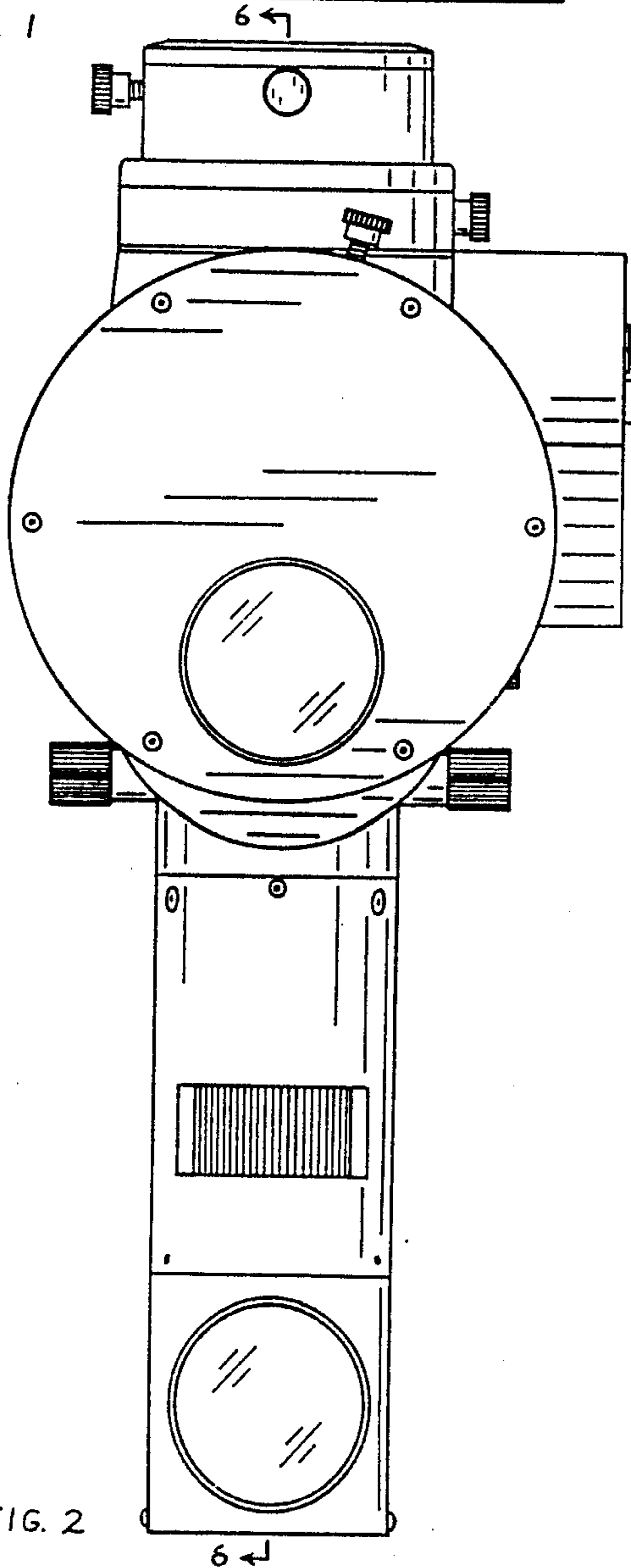


FIG. 2

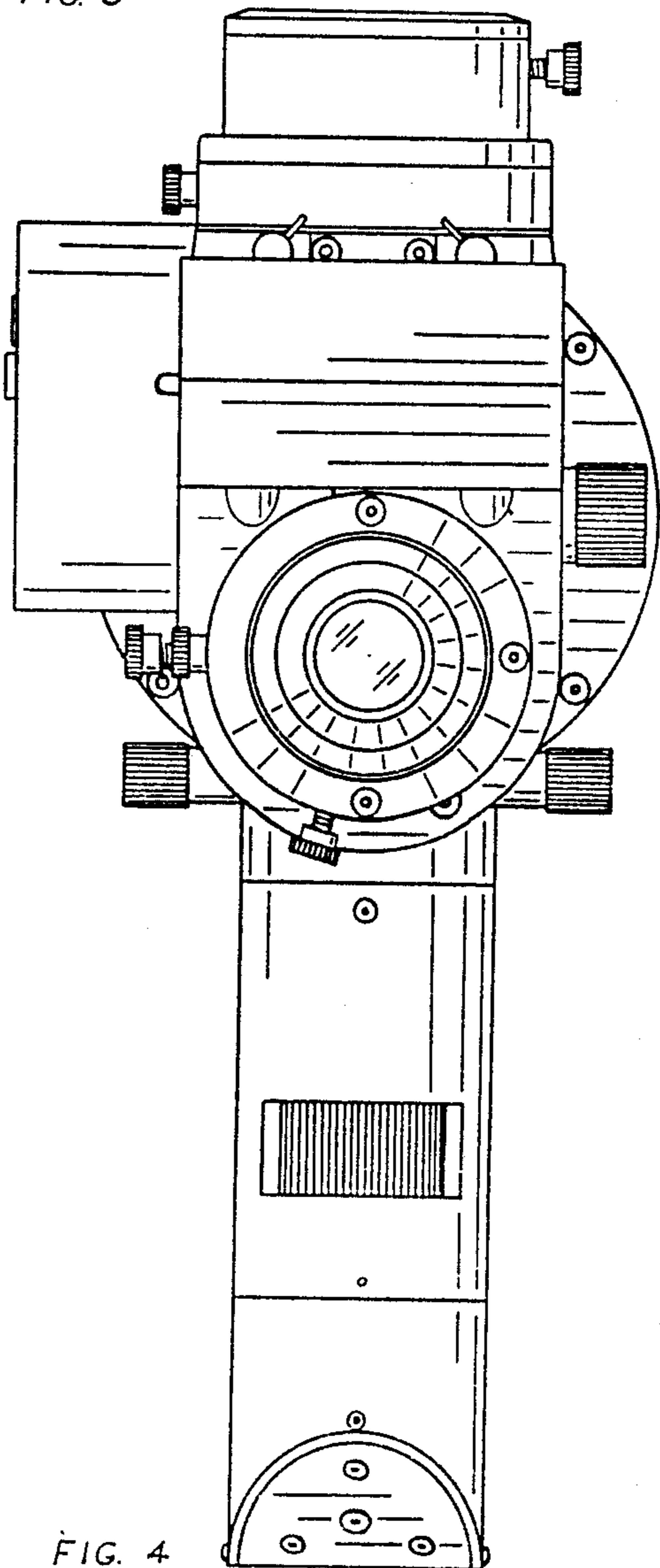


FIG. 4

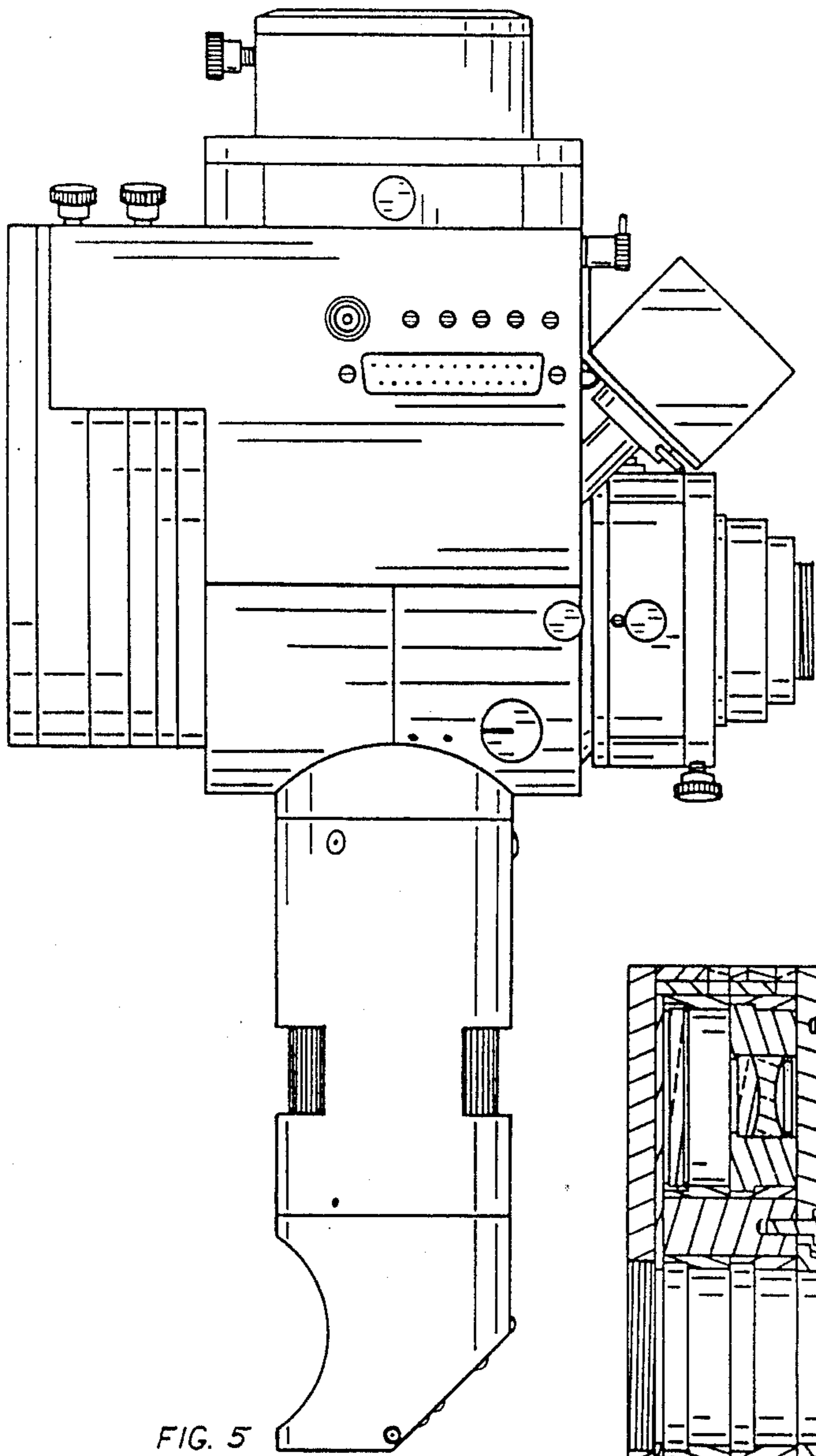


FIG. 5

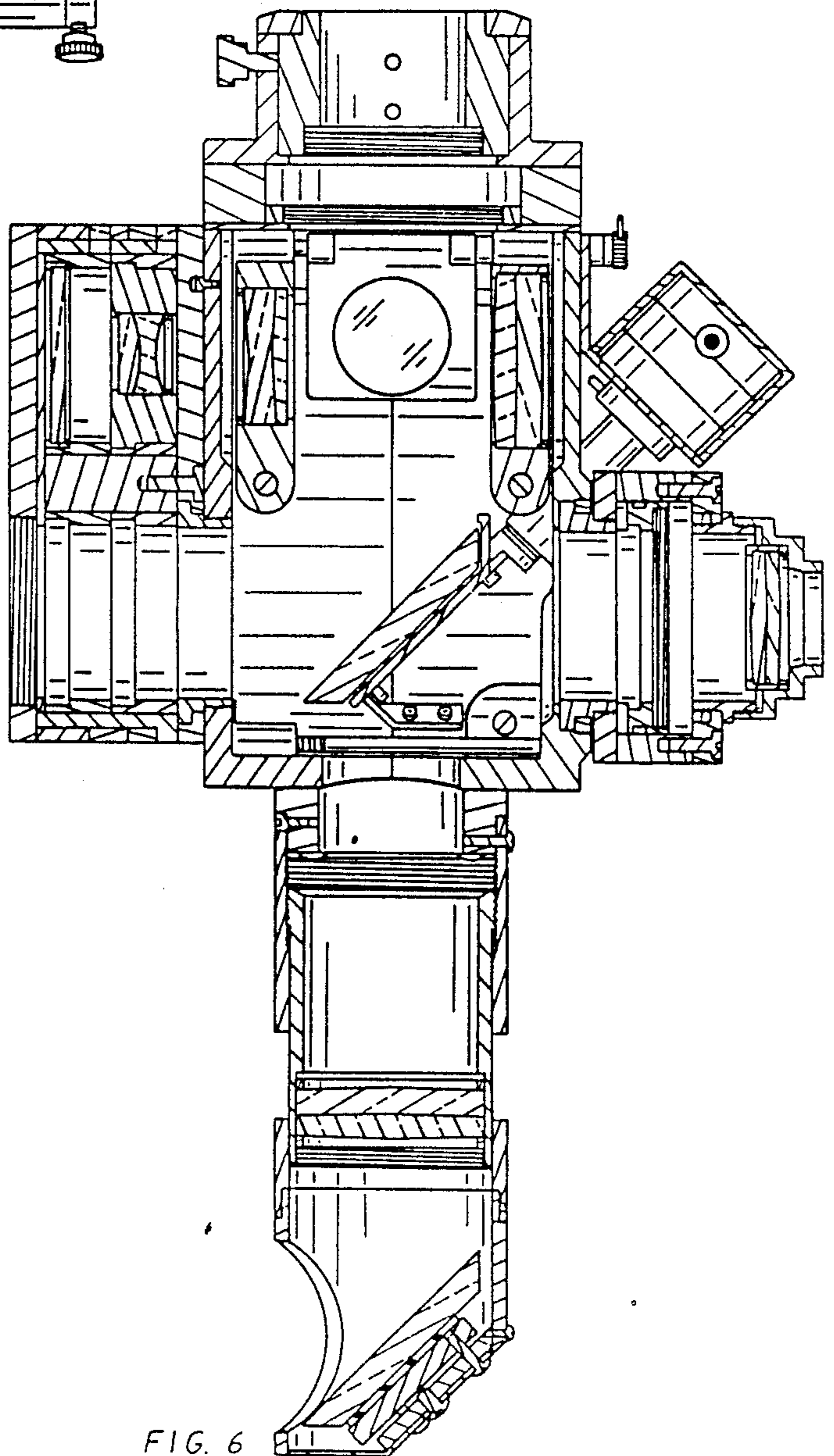


FIG. 6

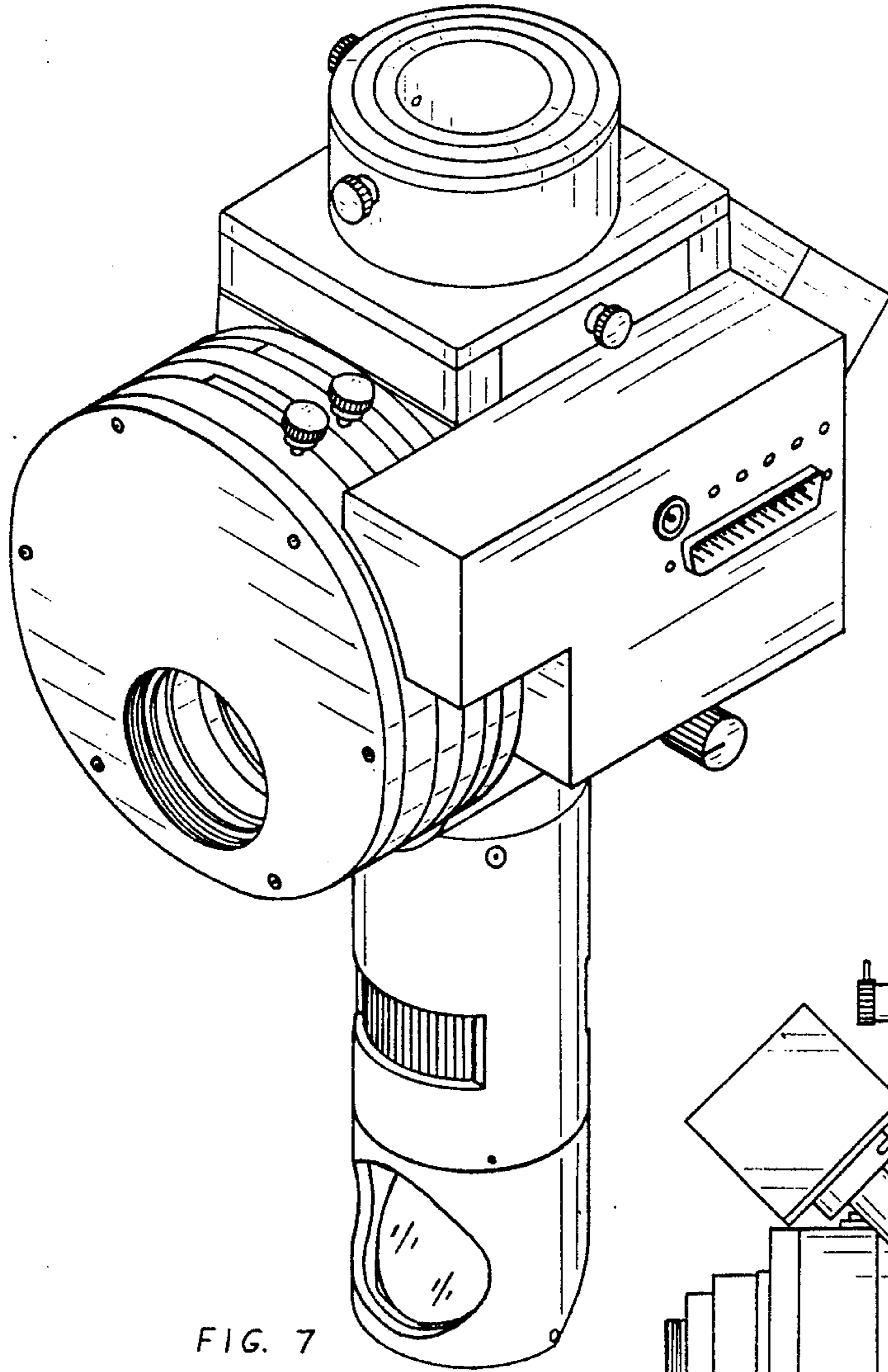


FIG. 7

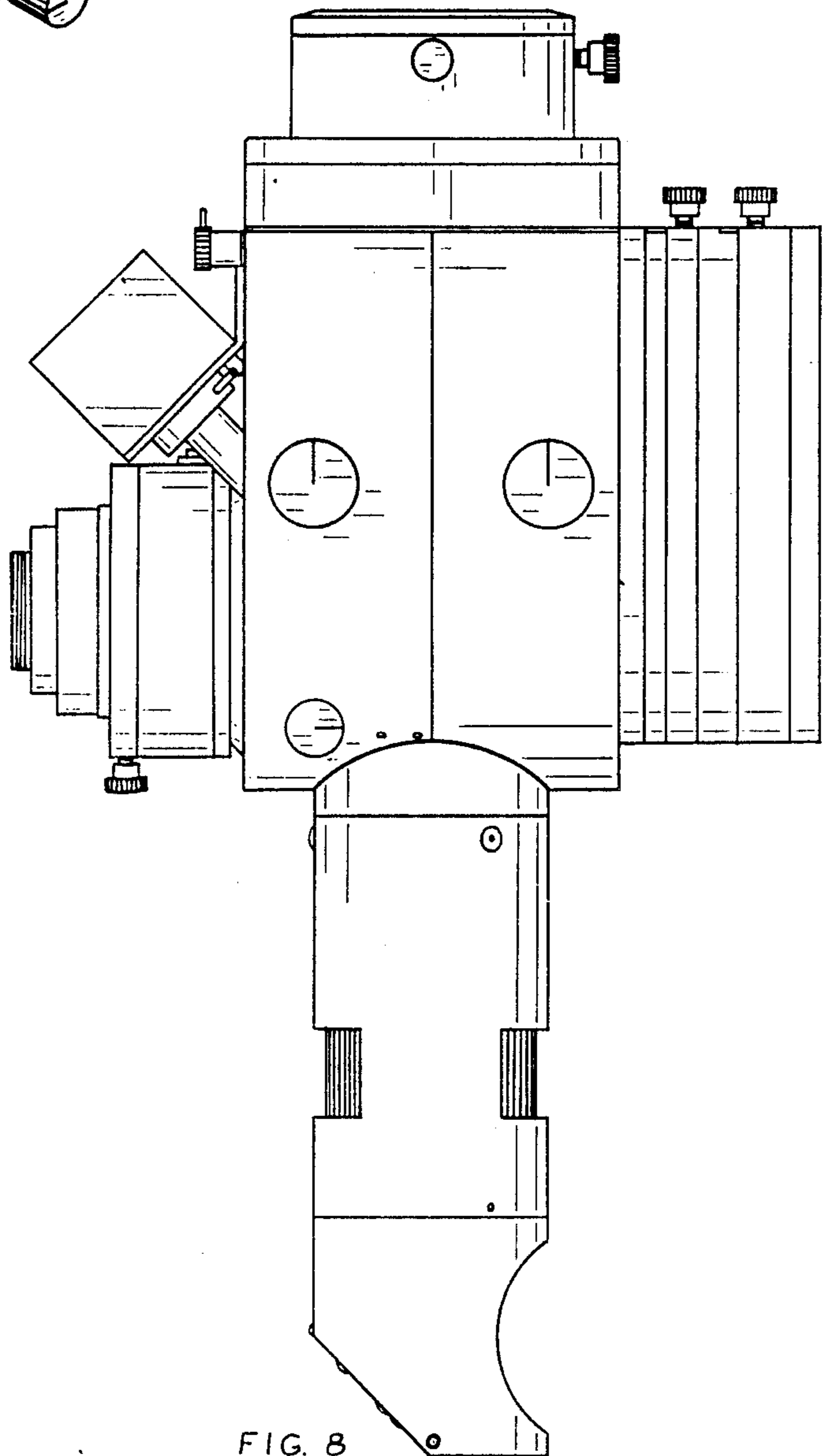


FIG. 8

UNITED STATES PATENT AND TRADEMARK OFFICE
CERTIFICATE OF CORRECTION

PATENT NO. : D310,381
DATED : Sep. 4, 1990
INVENTOR(S) : Jeffrey R. Charles

It is certified that error appears in the above-identified patent and that said Letters Patent is hereby corrected as shown below:

On the title page;

Column 2, last line under OTHER PUBLICATIONS, "micron" should read "mirror".

Column 2, description from Fig. 5 onwards under DESCRIPTION, should read:

FIG. 5 is a right side elevational view thereof;

FIG. 6 is a cross-sectional view thereof, taken along line 6-6 on FIG. 2;

FIG. 7 is a perspective view thereof; and

FIG. 8 is a left side elevational view thereof.

Signed and Sealed this
Twenty-second Day of September, 1992

Attest:

DOUGLAS B. COMER

Attesting Officer

Acting Commissioner of Patents and Trademarks