

# United States Patent [19]

Brickner et al.

[11] Patent Number: **Des. 310,375**

[45] Date of Patent: **\*\* Sep. 4, 1990**

[54] **MOTORIZED SAW UNIT**

[75] Inventors: **Louis C. Brickner; Michael P. McKee; Raymond L. Wilson**, all of Pittsburgh; **David N. Hollinger, Jr.**, Glenshaw, all of Pa.

[73] Assignee: **Delta International Machinery Corp.**, Pittsburgh, Pa.

[\*\*] Term: **14 Years**

[21] Appl. No.: **217,819**

[22] Filed: **Jul. 12, 1988**

[52] U.S. Cl. .... **D15/133**

[58] Field of Search ..... **D15/122, 133; D8/66; 83/477.1, 486.1, 77.3; 144/786 R**

[56] **References Cited**

### U.S. PATENT DOCUMENTS

D. 234,902 4/1975 Marsh et al. .... D15/133 X  
D. 287,694 6/1987 Miyamoto ..... D15/133  
D. 295,823 5/1988 Brickner, Jr. et al. .... D15/133

2,803,271 8/1957 Shaw ..... 83/471.3 X  
3,821,918 7/1974 Niehaus et al. .... D15/133 X  
4,152,961 5/1979 Batson ..... 83/486.1  
4,202,233 5/1980 Larson ..... 83/471.3 X  
4,599,927 7/1986 Eccardt et al. .... 83/477.1 X

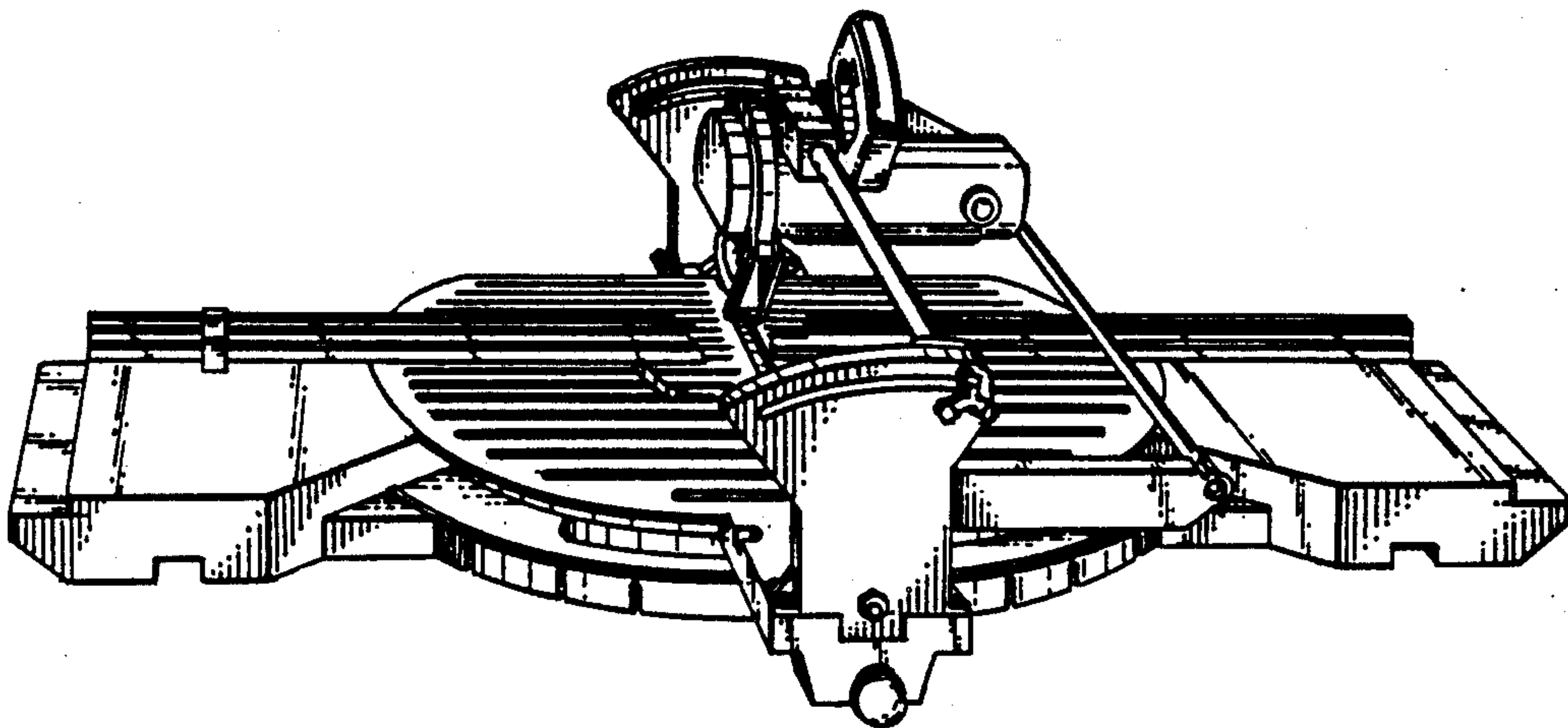
*Primary Examiner*—Bruce W. Dunkins  
*Assistant Examiner*—Jeffrey Asch  
*Attorney, Agent, or Firm*—Merchant & Gould, Edell, Welter & Schmidt

### [57] CLAIM

The ornamental design for a motorized saw unit, as shown and described.

### DESCRIPTION

FIG. 1 is a top and front perspective of a motorized saw unit showing our new design;  
FIG. 2 is a top plan view;  
FIG. 3 is a front elevational view;  
FIG. 4 is a rear elevational view;  
FIG. 5 is a left side elevational view;  
FIG. 6 is a right side elevational view; and  
FIG. 7 is a bottom plan view thereof.



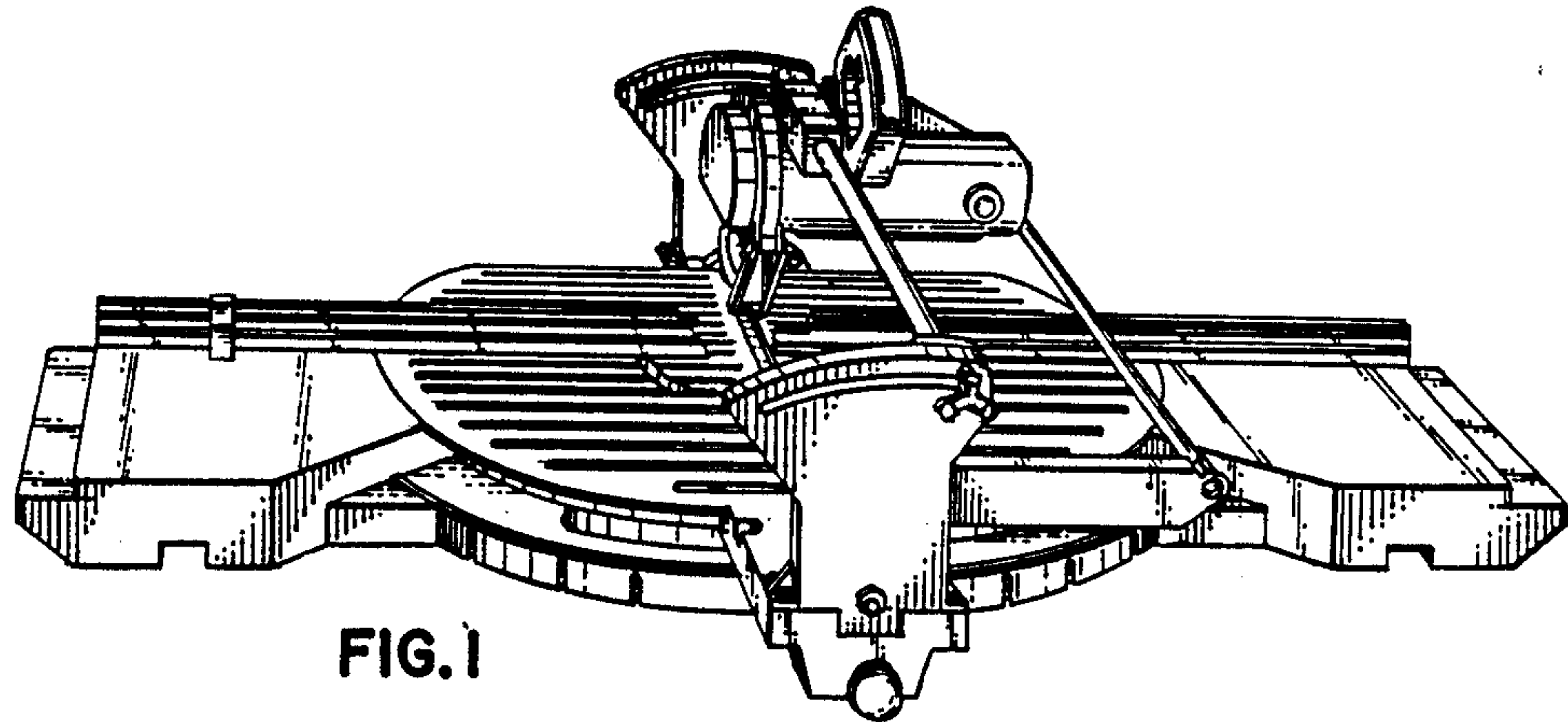


FIG. 1

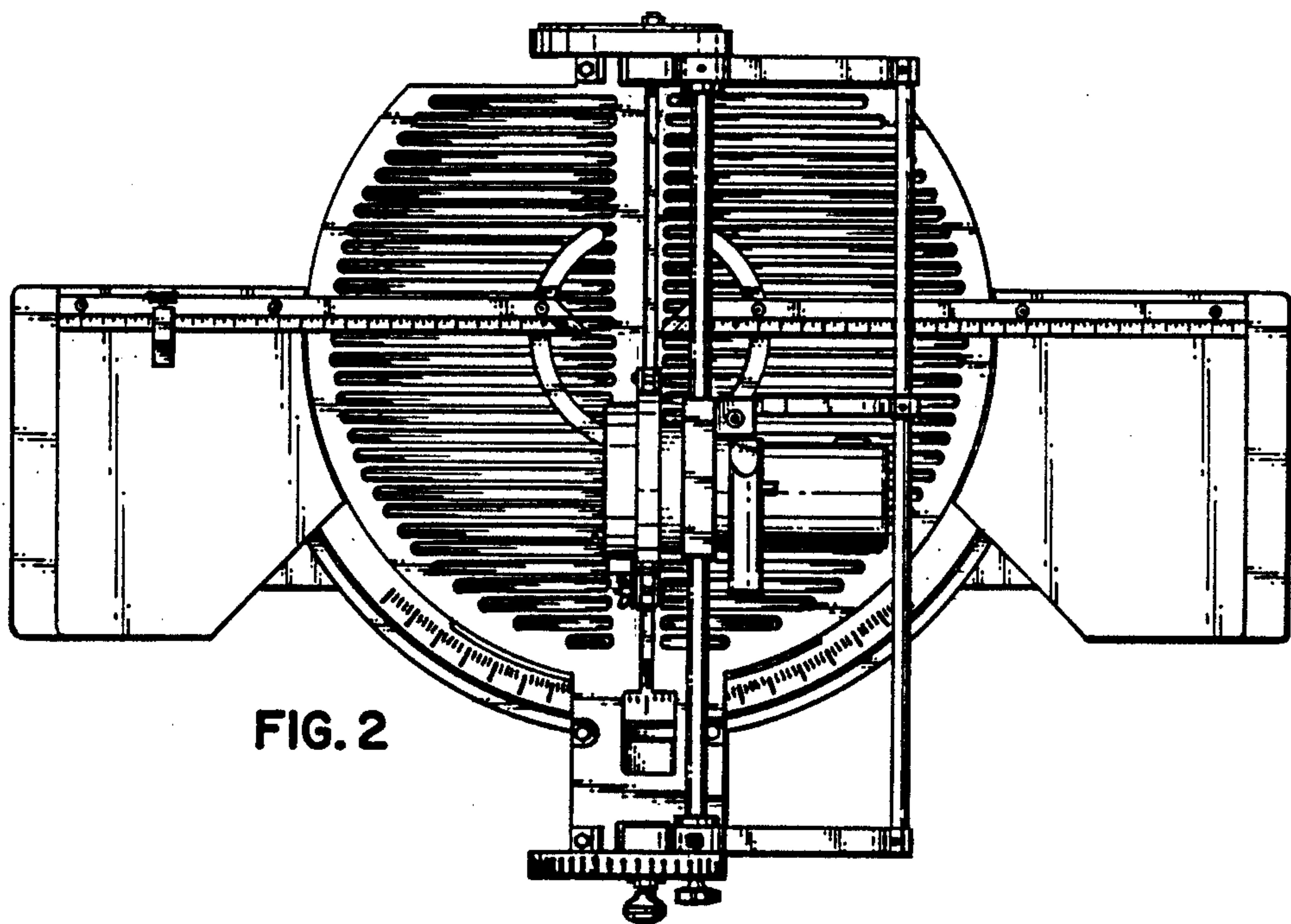


FIG. 2

FIG. 3

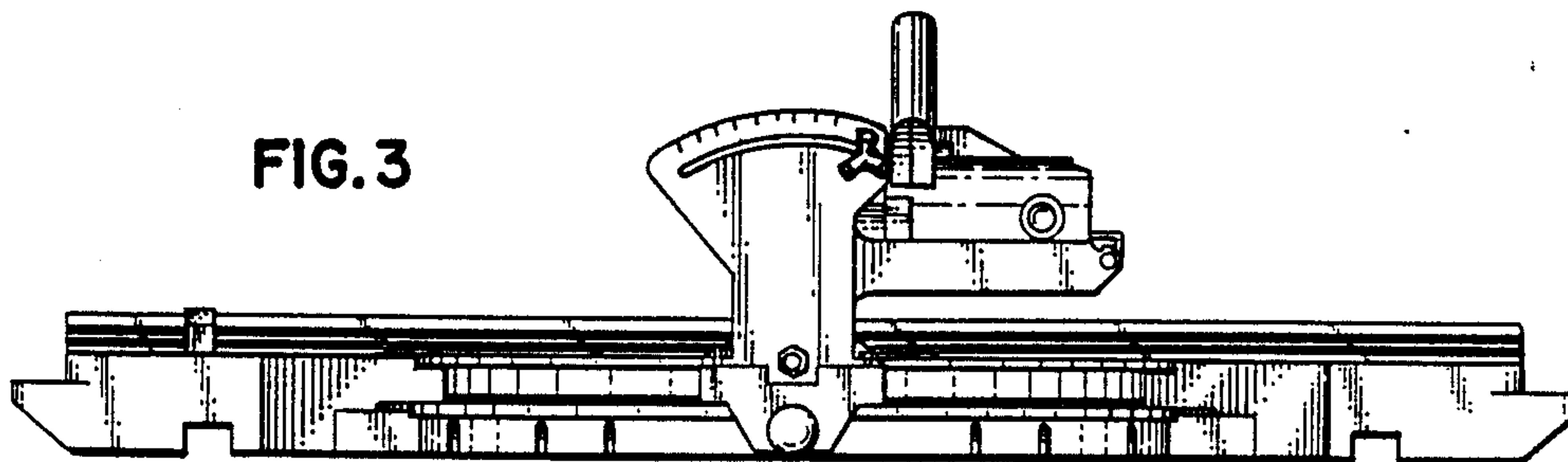


FIG. 4

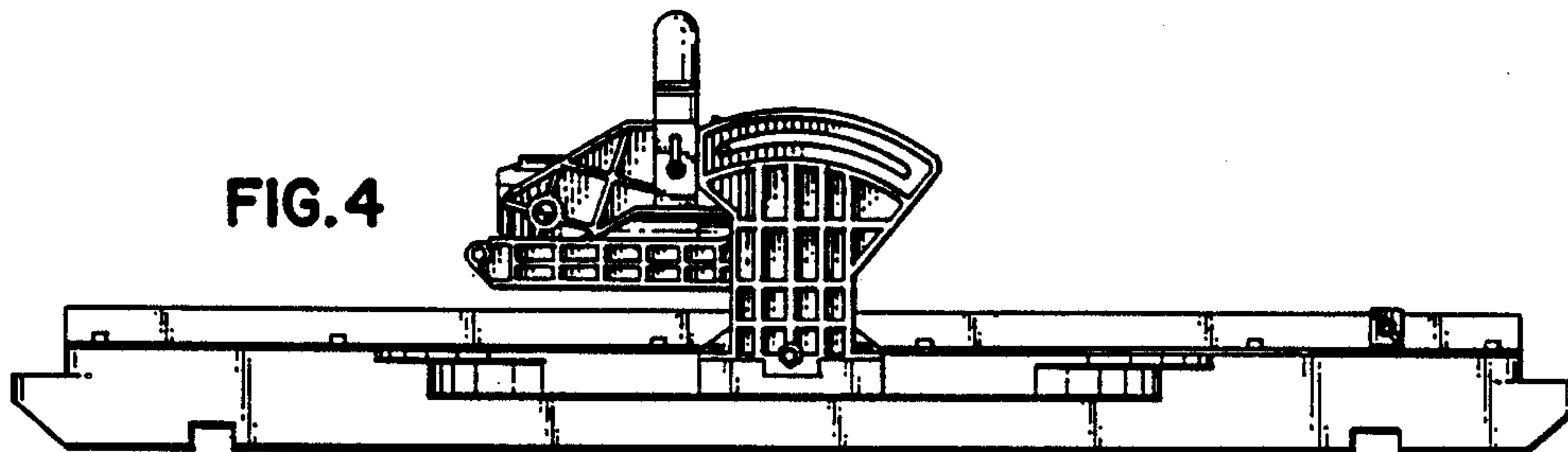


FIG. 5

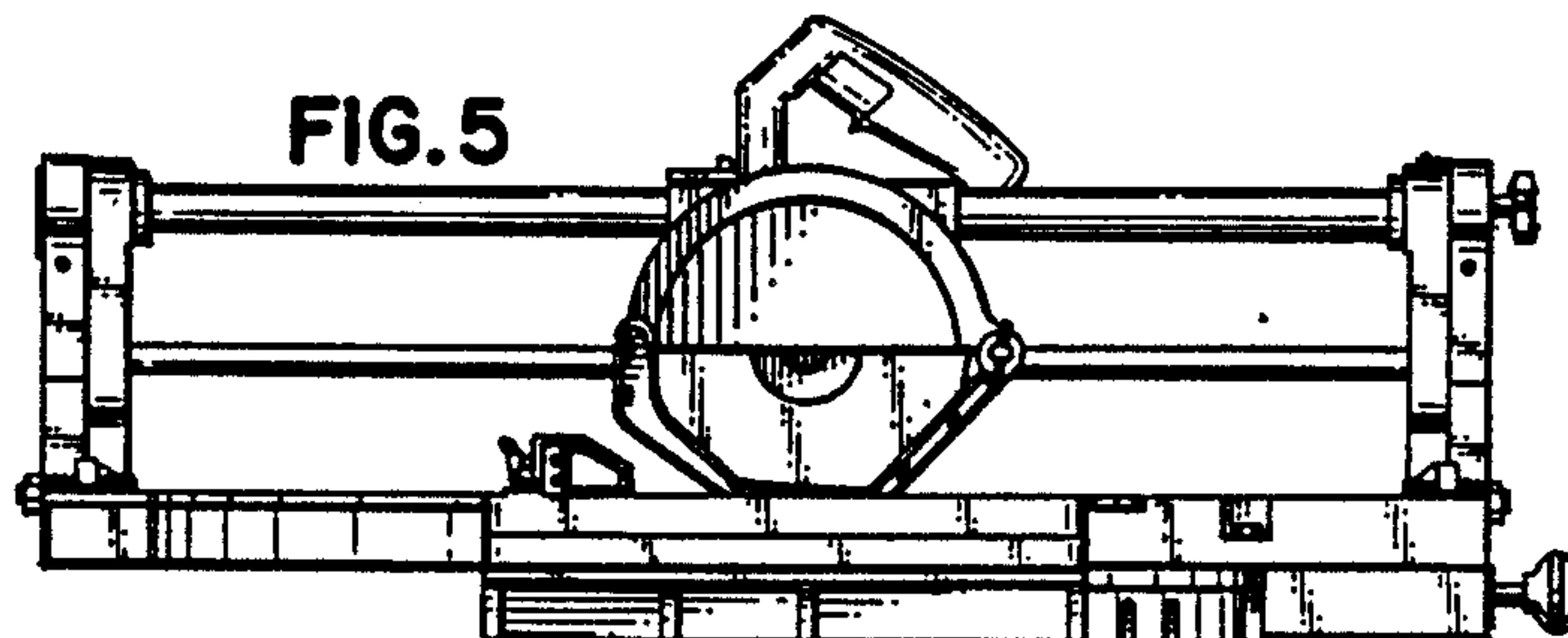
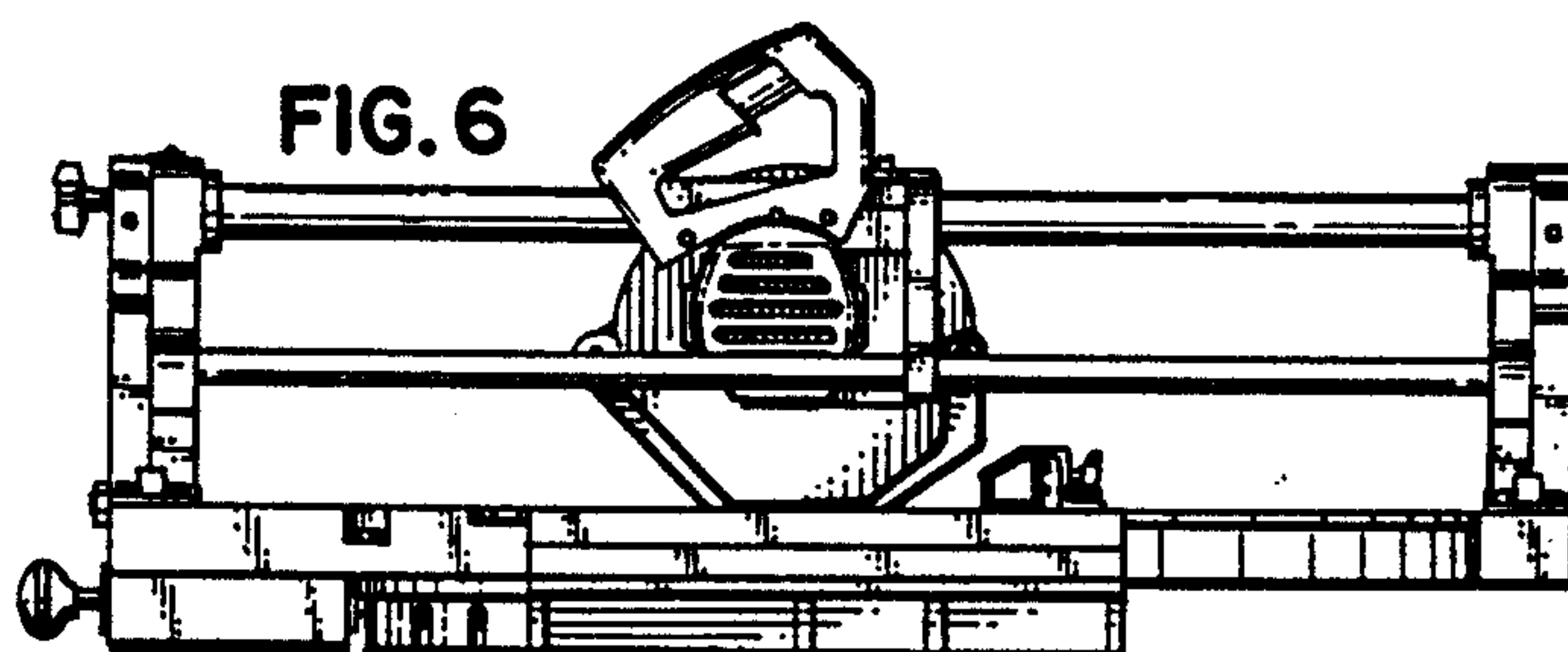


FIG. 6



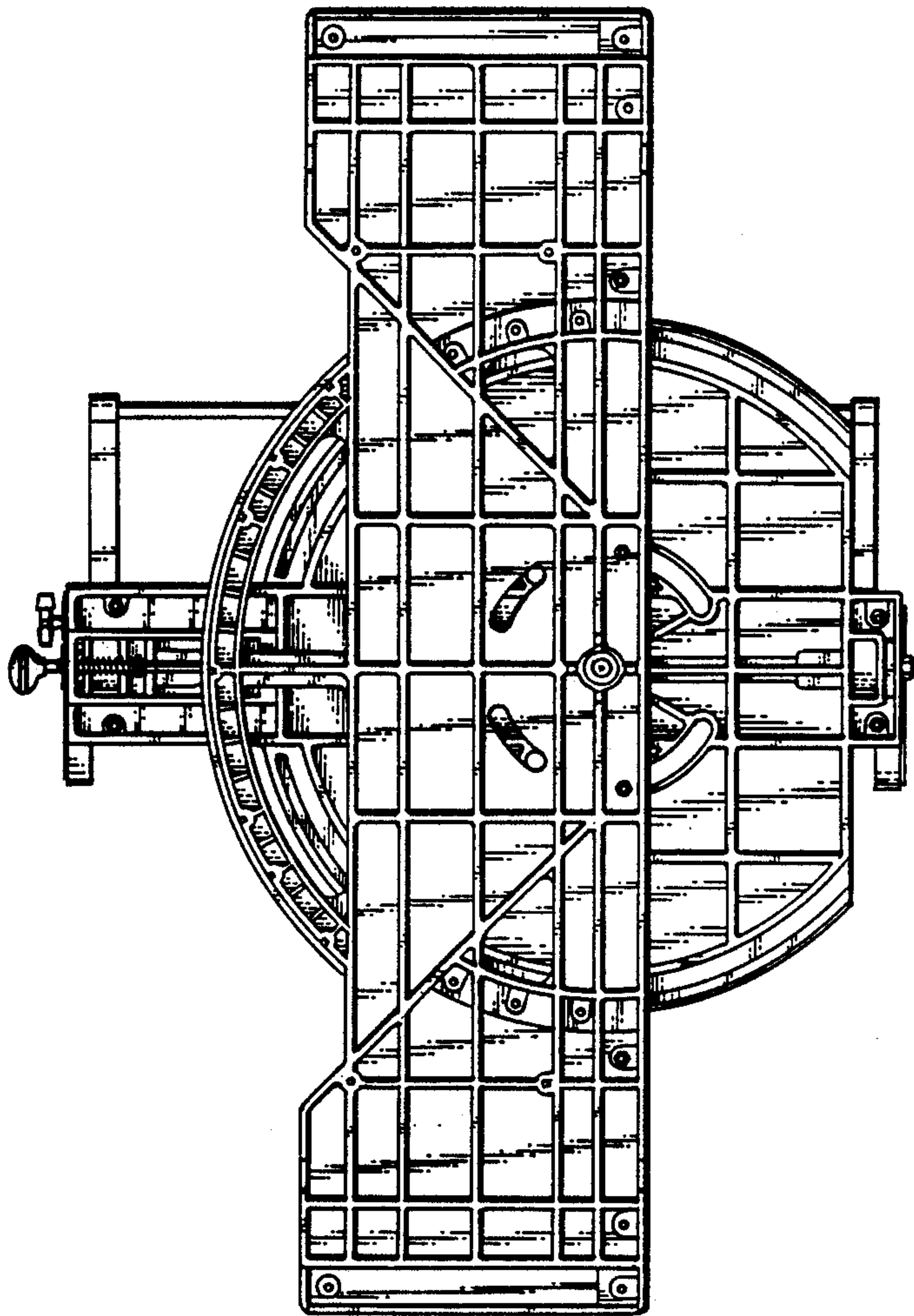


FIG. 7