

[54] ENGINE

D. 282,071 1/1986 Nakamura ..... D15/1  
4,429,668 2/1984 Nakagawa et al. .... 123/56 R X

[75] Inventors: Keisuke Ishii; Hitoshi Taguchi;  
Kiyohide Sumi, all of Tokyo, Japan

OTHER PUBLICATIONS

Implement & Tractor, 2/21/79, p. 37, Kawasaki Engine advertisement.

[73] Assignee: Fuji Jukogyo Kabushiki Kaisha,  
Tokyo, Japan

Primary Examiner—Wallace R. Burke  
Assistant Examiner—Brian N. Vinson  
Attorney, Agent, or Firm—Martin A. Farber

[\*\*] Term: 14 Years

[21] Appl. No.: 256,010

[57] CLAIM

[22] Filed: Oct. 7, 1988

The ornamental design for an engine, as shown.

[30] Foreign Application Priority Data

DESCRIPTION

Apr. 9, 1988 [JP] Japan ..... 63-014326

[52] U.S. Cl. .... D15/1

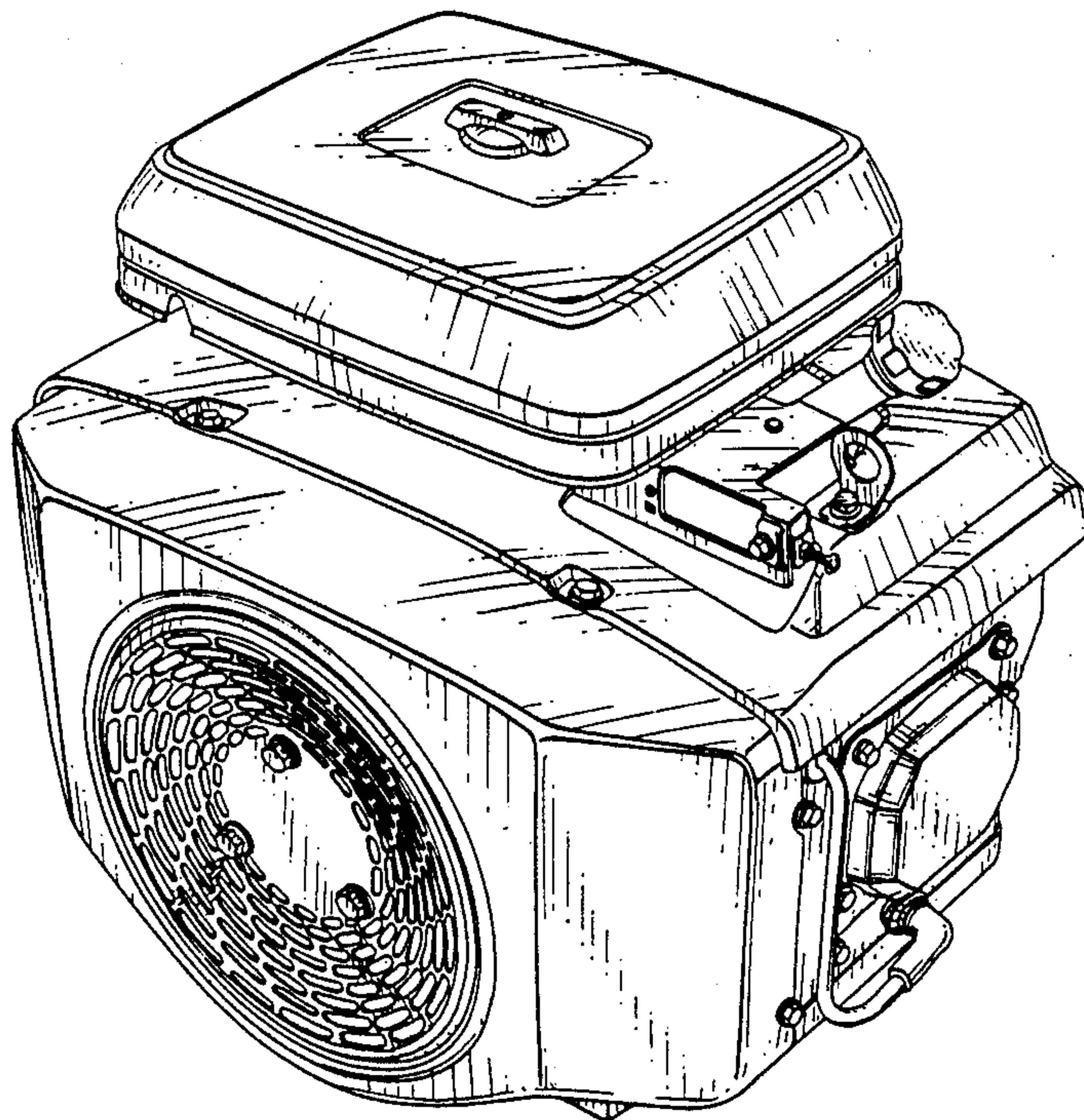
[58] Field of Search ..... D15/1, 3; 123/22, 50 R,  
123/50 A, 50 B, 51 R, 51 A, 51 B, 52 R, 56 R,  
56 A, 56 B, 65 R, 311

FIG. 1 is a top, front and right side perspective view of an engine showing our new design;  
FIG. 2 is a top, rear and left side perspective view thereof;  
FIG. 3 is a front elevational view thereof;  
FIG. 4 is a rear elevational view thereof;  
FIG. 5 is a right side elevational view thereof;  
FIG. 6 is a left side elevational view thereof;  
FIG. 7 is a top plan view thereof; and  
FIG. 8 is a bottom plan view thereof.

[56] References Cited

U.S. PATENT DOCUMENTS

D. 247,177 2/1978 Stevens ..... D15/1  
D. 257,844 1/1981 Stevens ..... D15/1



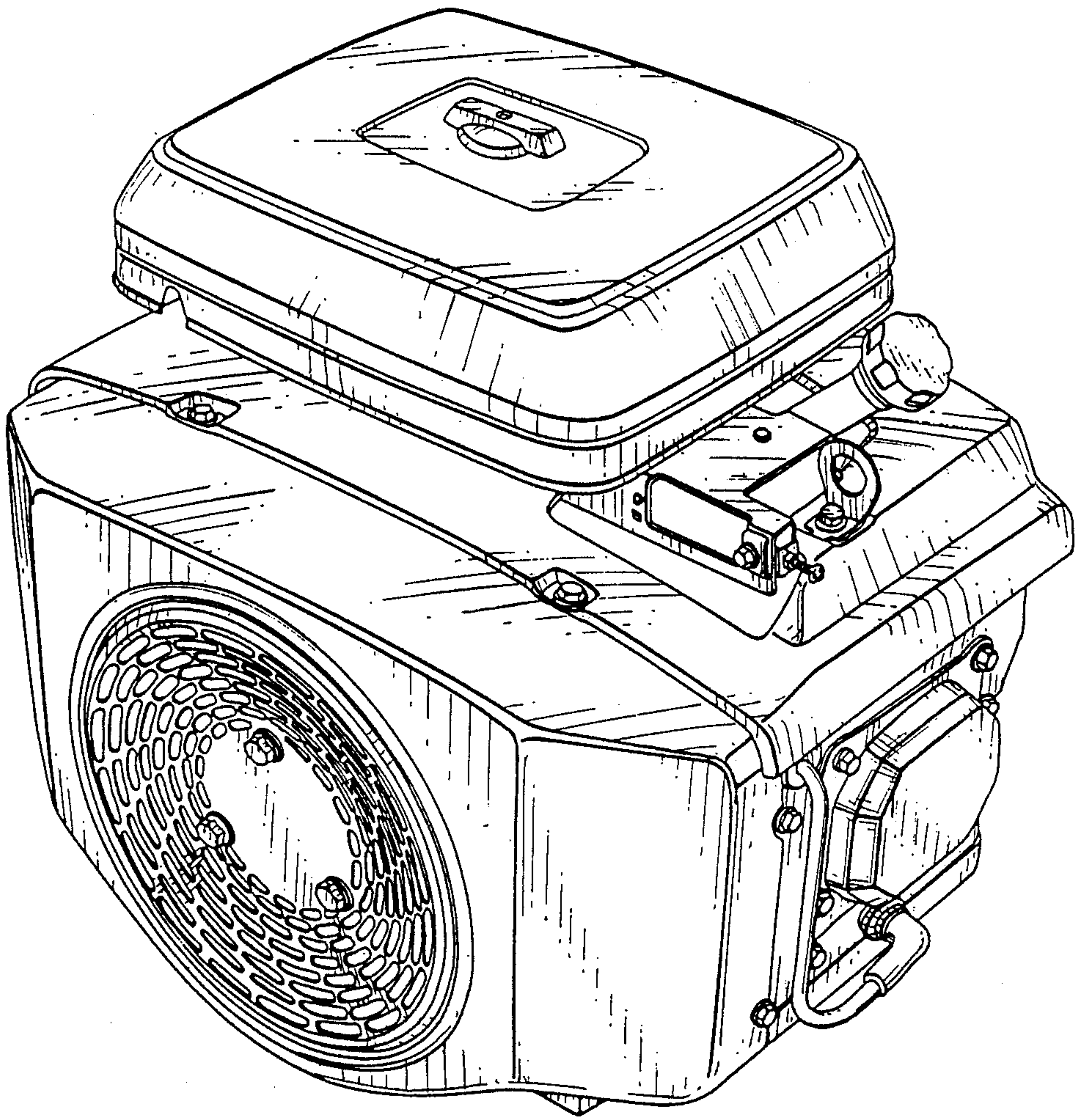


FIG. 1



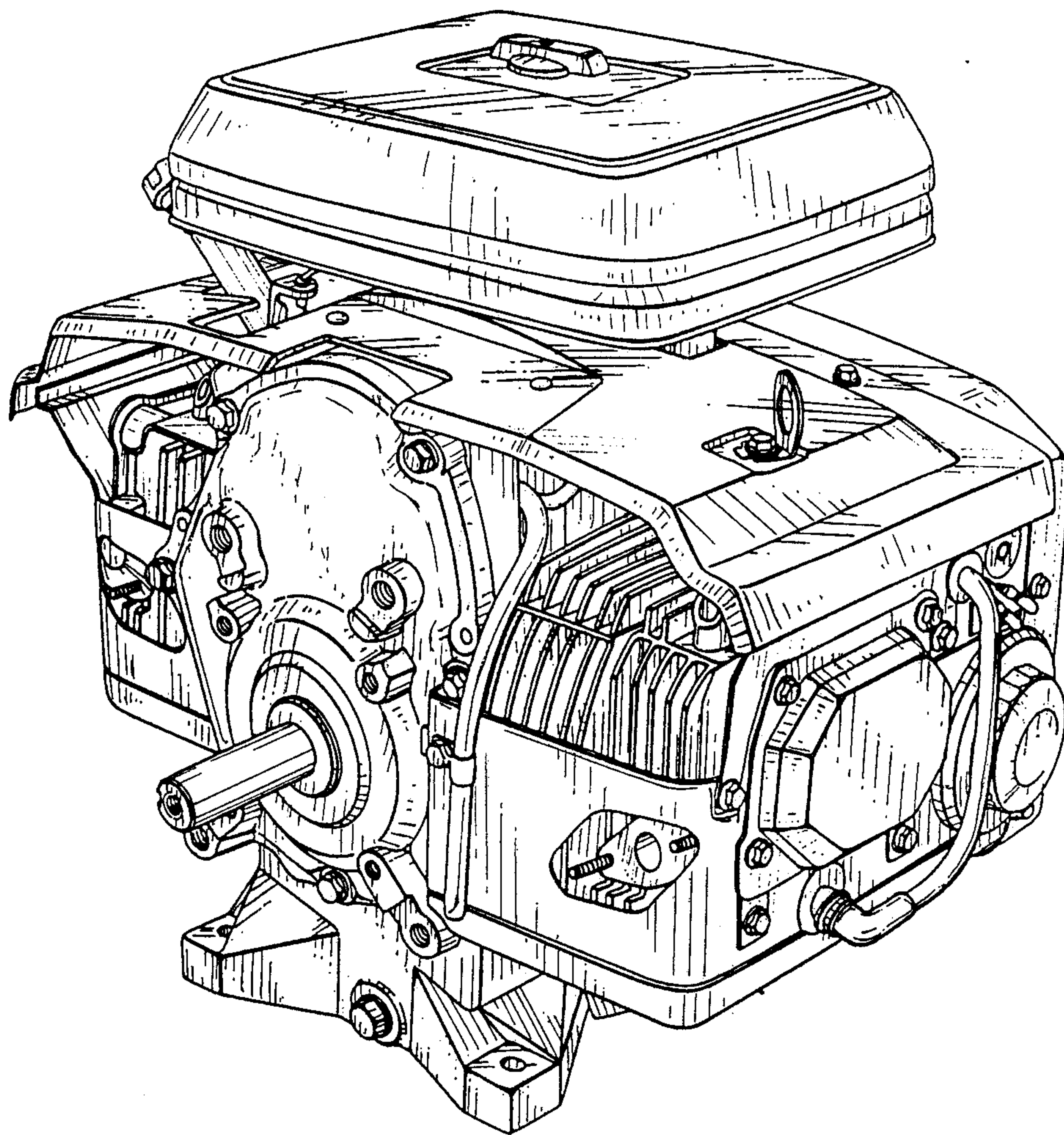


FIG. 2

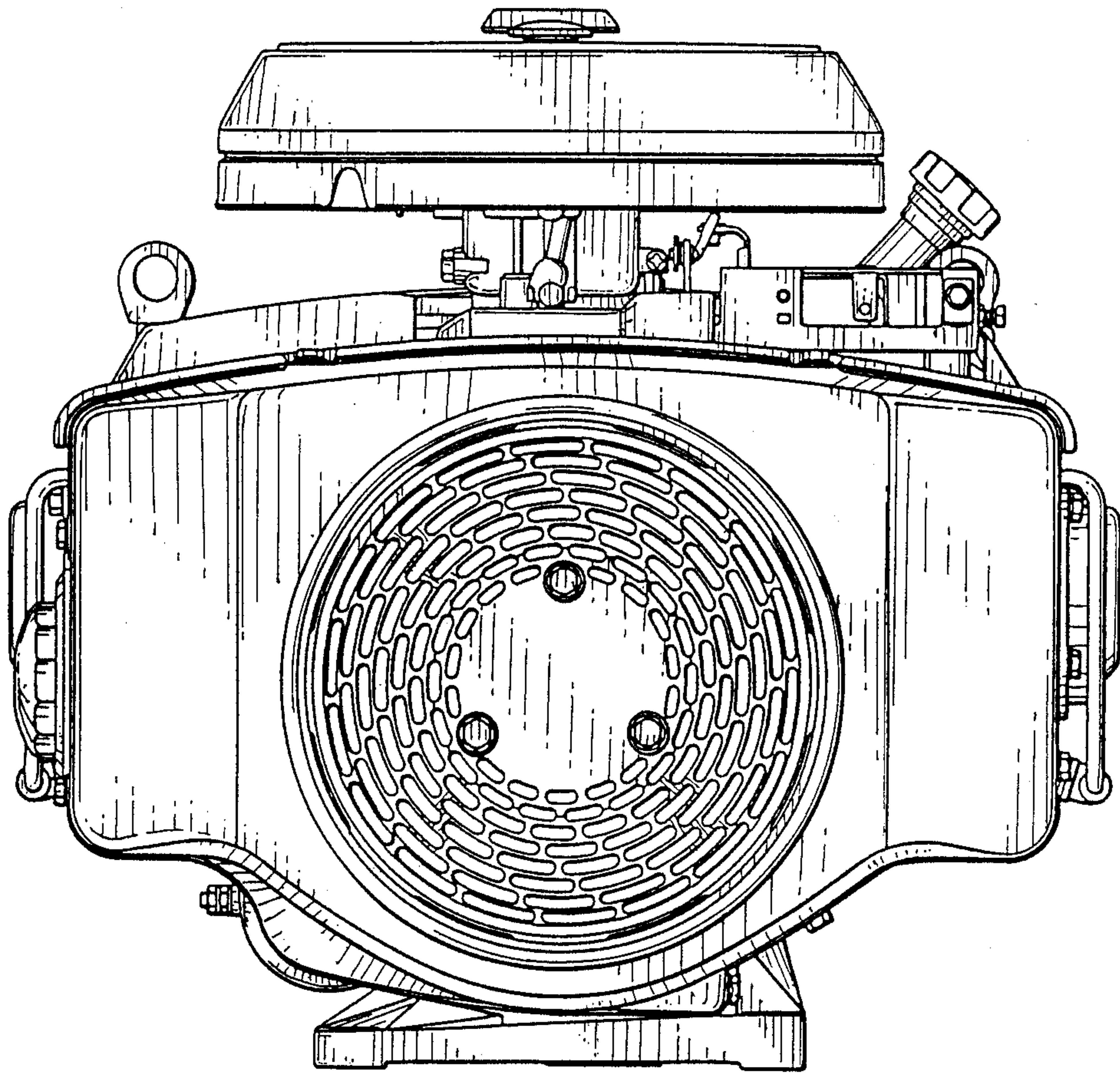


FIG. 3

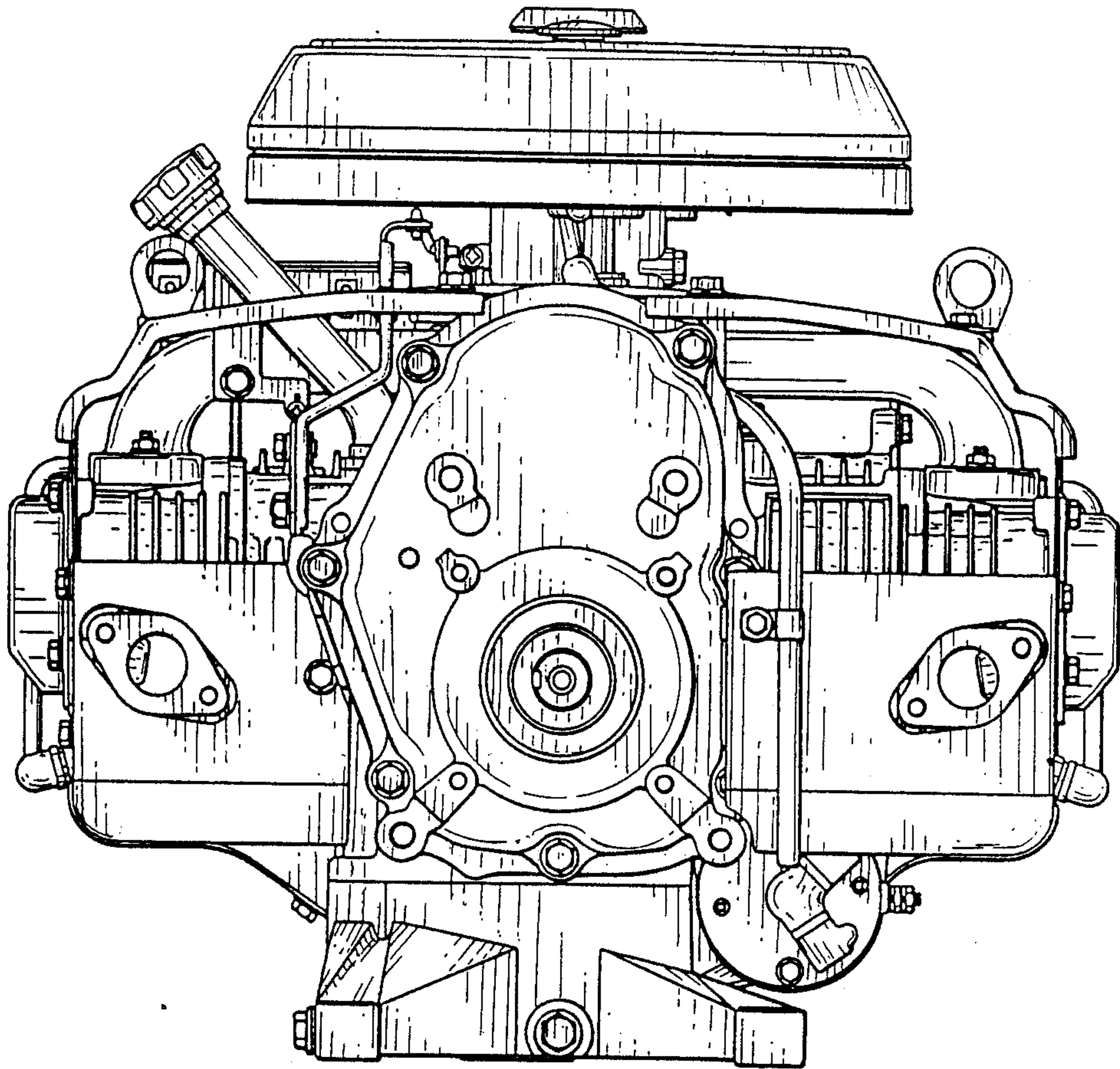


FIG. 4



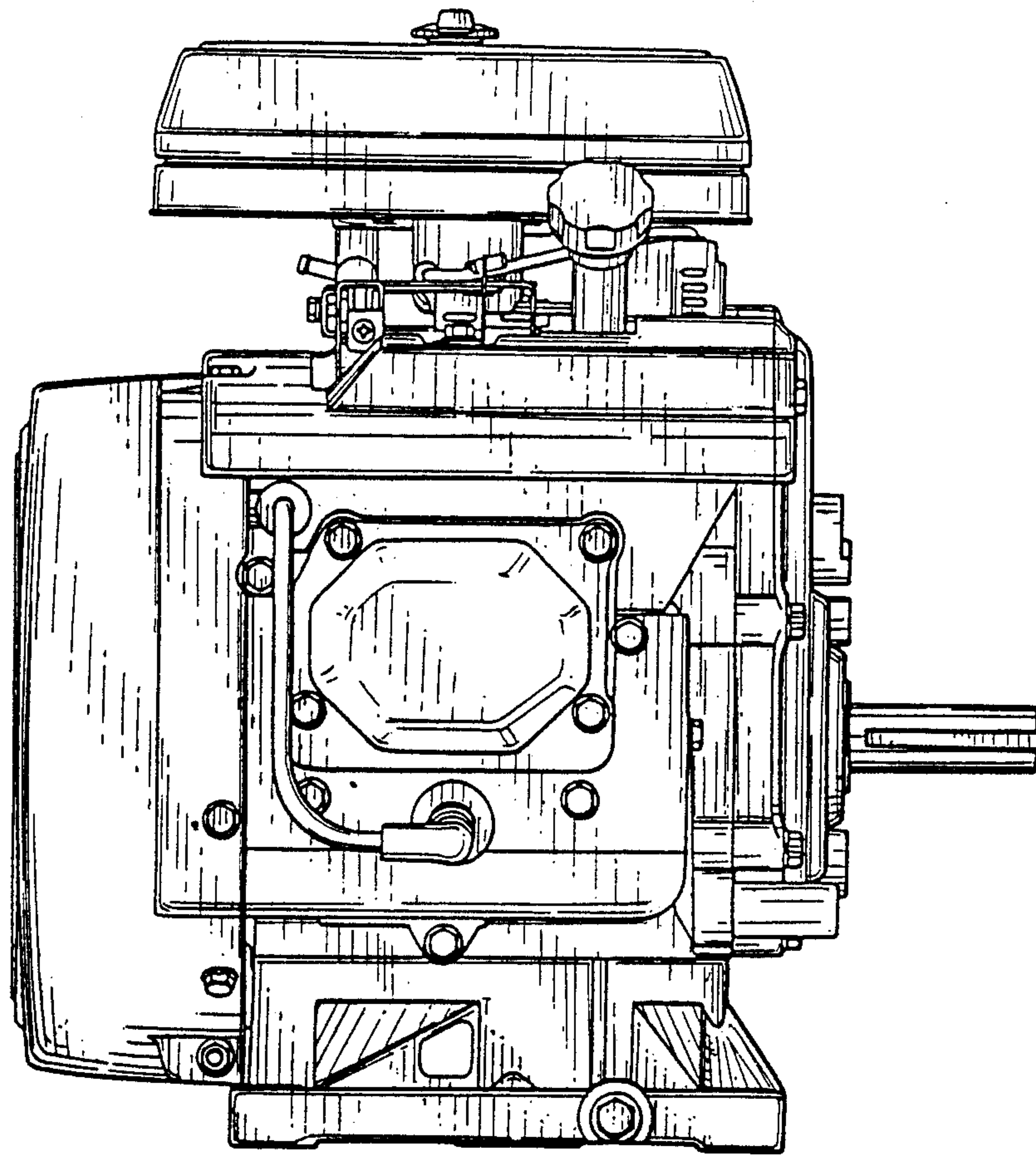


FIG. 5

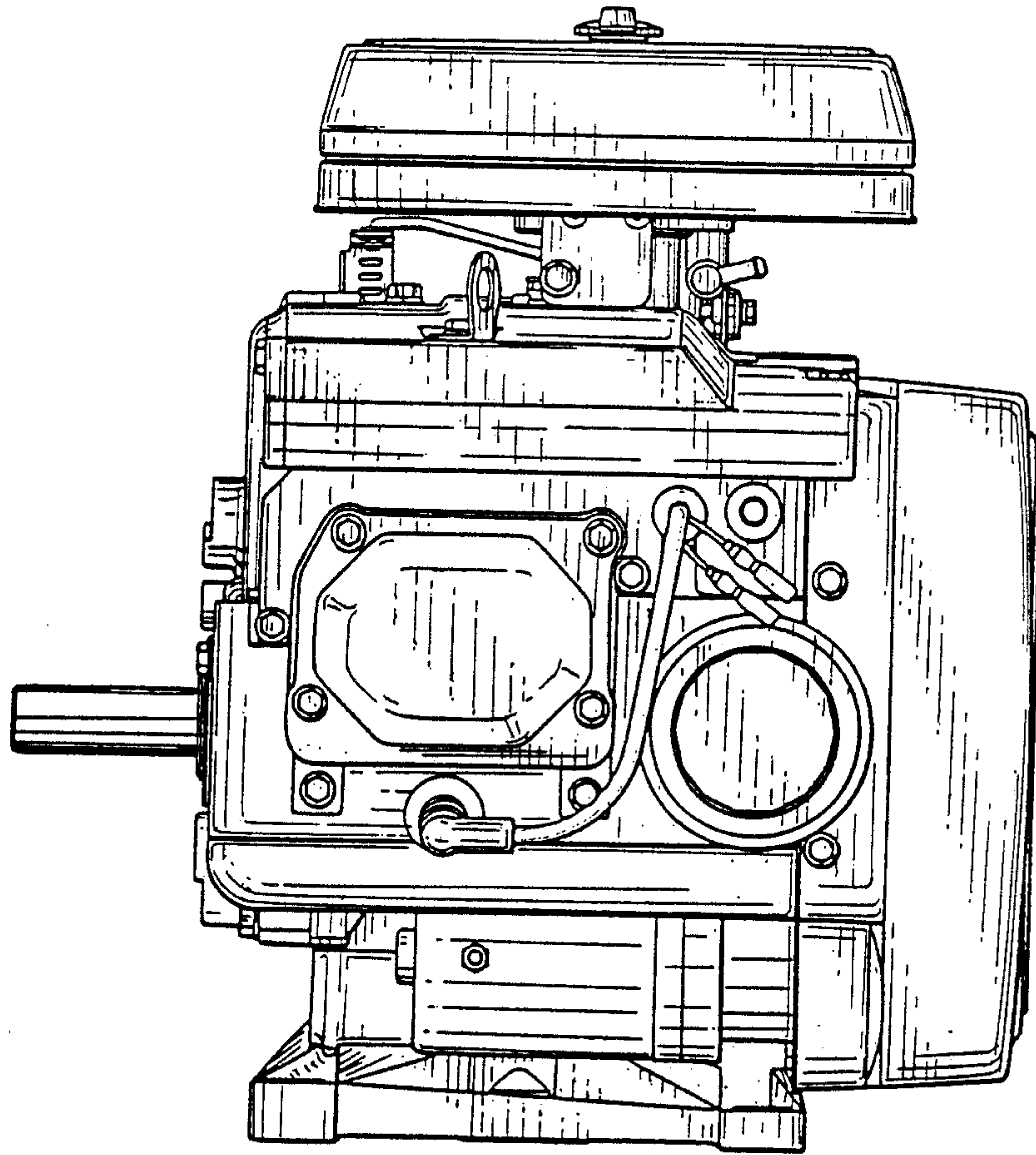


FIG. 6

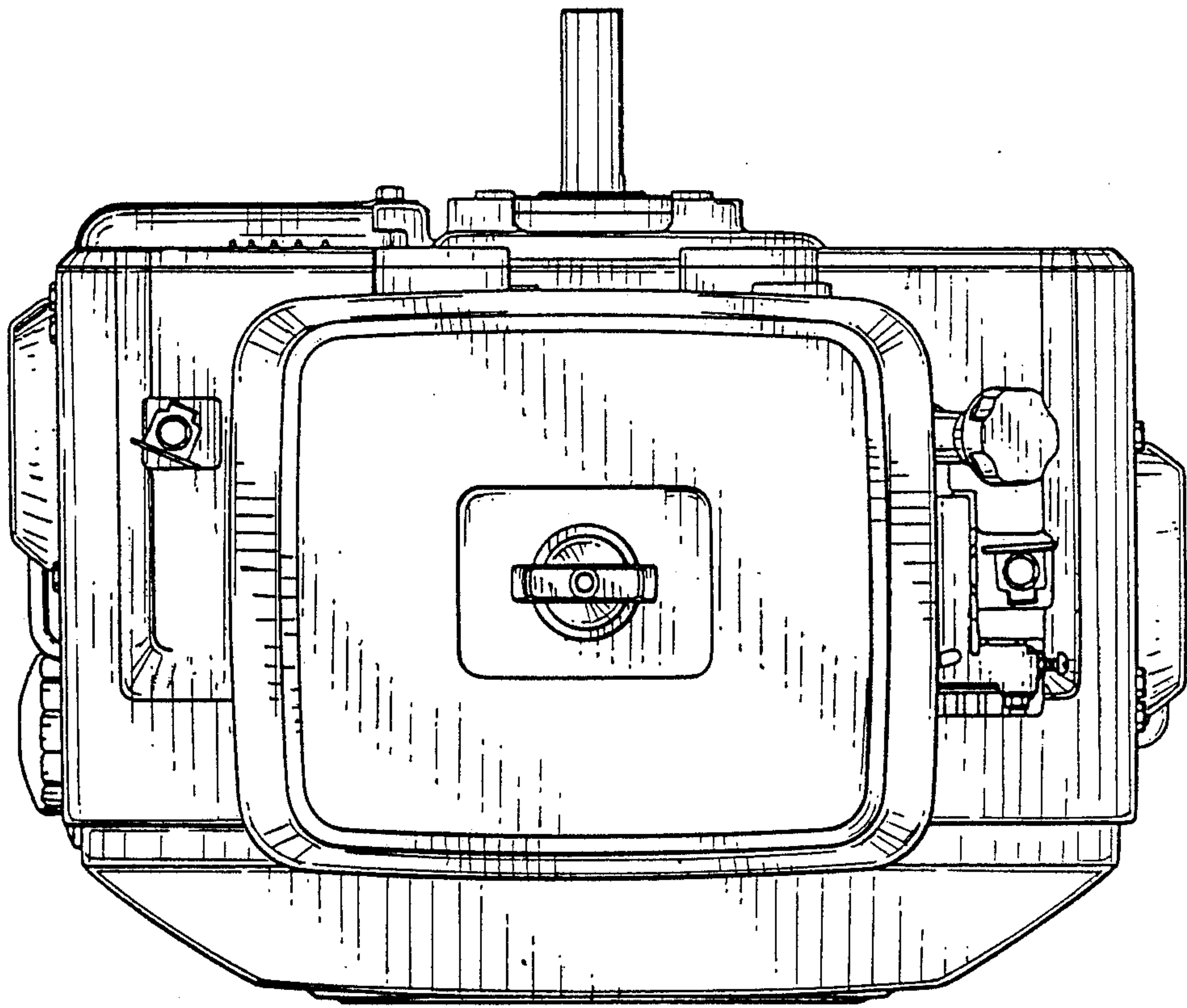


FIG. 7



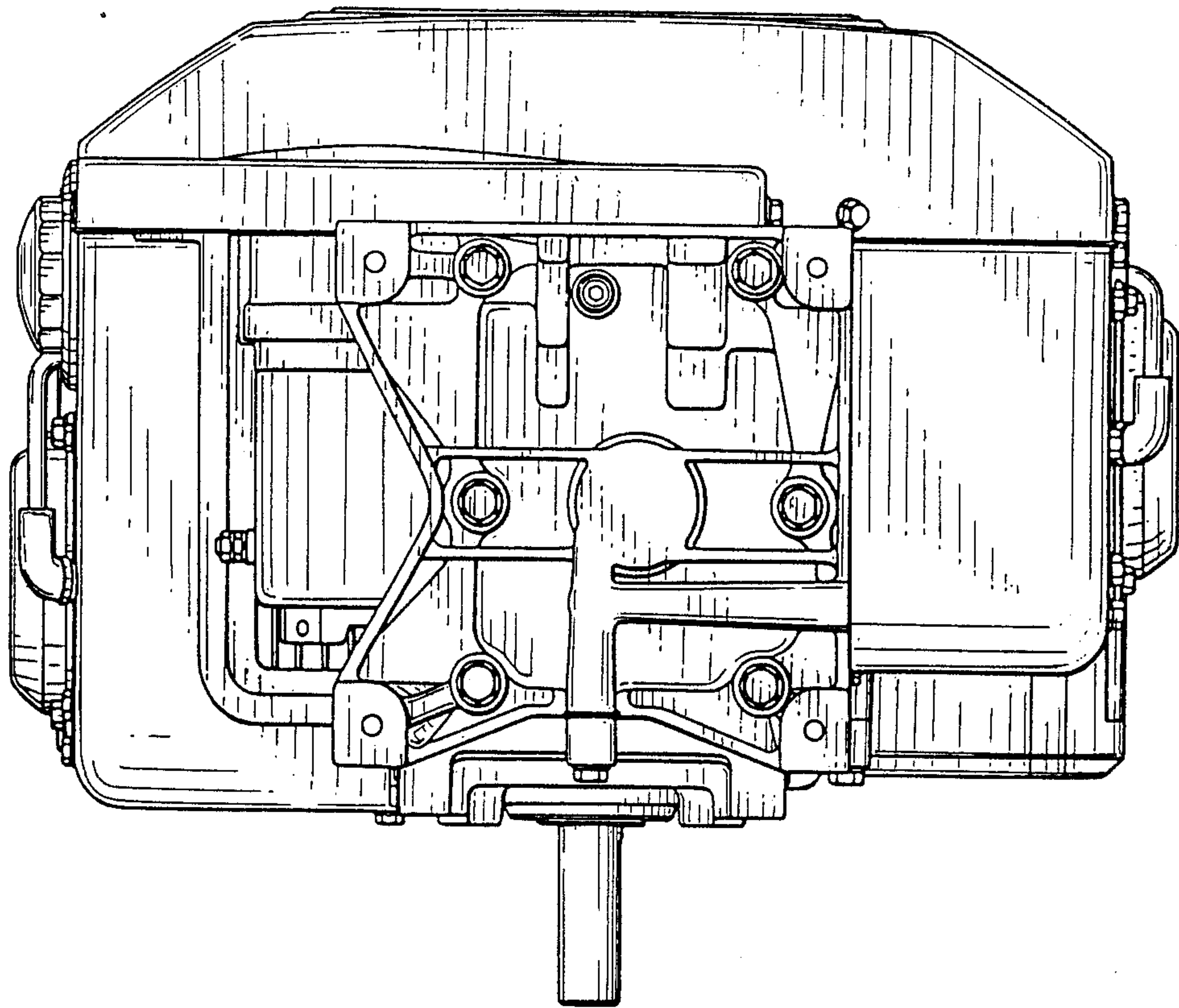


FIG. 8