

[54] FRONT PANEL FOR A COMPACT DISC PLAYER

[75] Inventors: Carol M. Repasky, Ypsilanti; Mark A. Dobies, Dearborn Heights, both of Mich.

[73] Assignee: Ford Motor Company, Dearborn, Mich.

[**] Term: 14 Years

[21] Appl. No.: 138,522

[22] Filed: Dec. 28, 1987

[52] U.S. Cl. D14/258

[58] Field of Search D14/124, 156-172, D14/188-198, 217, 257-258, 260, 265, 299; 456/344-346, 350, 351

[56] References Cited

U.S. PATENT DOCUMENTS

- D. 266,508 10/1982 Yamamoto et al. D14/198
- D. 284,369 6/1986 Nakamura et al. D14/157
- D. 301,579 6/1989 van de Ven D14/157

OTHER PUBLICATIONS

Popular Science; Jan. 1987; p. 54; bottom-Pioneer Model DEX-77.

Boating; Jan. 1987; p. 98; top-Kenwood compact disc player.

Audio; Aug. 1986; p. 13; Ford JBL Audio Systems. High Fidelity; May 1987; p. 32; Mitsubishi compact disc player.

Primary Examiner—Theodore M. Shooman
Attorney, Agent, or Firm—Mark L. Mollon; Paul K. Godwin

[57] CLAIM

The ornamental design for a front panel for a compact disc player, as shown and described.

DESCRIPTION

FIG. 1 is a front, top and right side perspective view of a front panel for a compact disc player showing our new design;

FIG. 2 is a top plan view thereof;

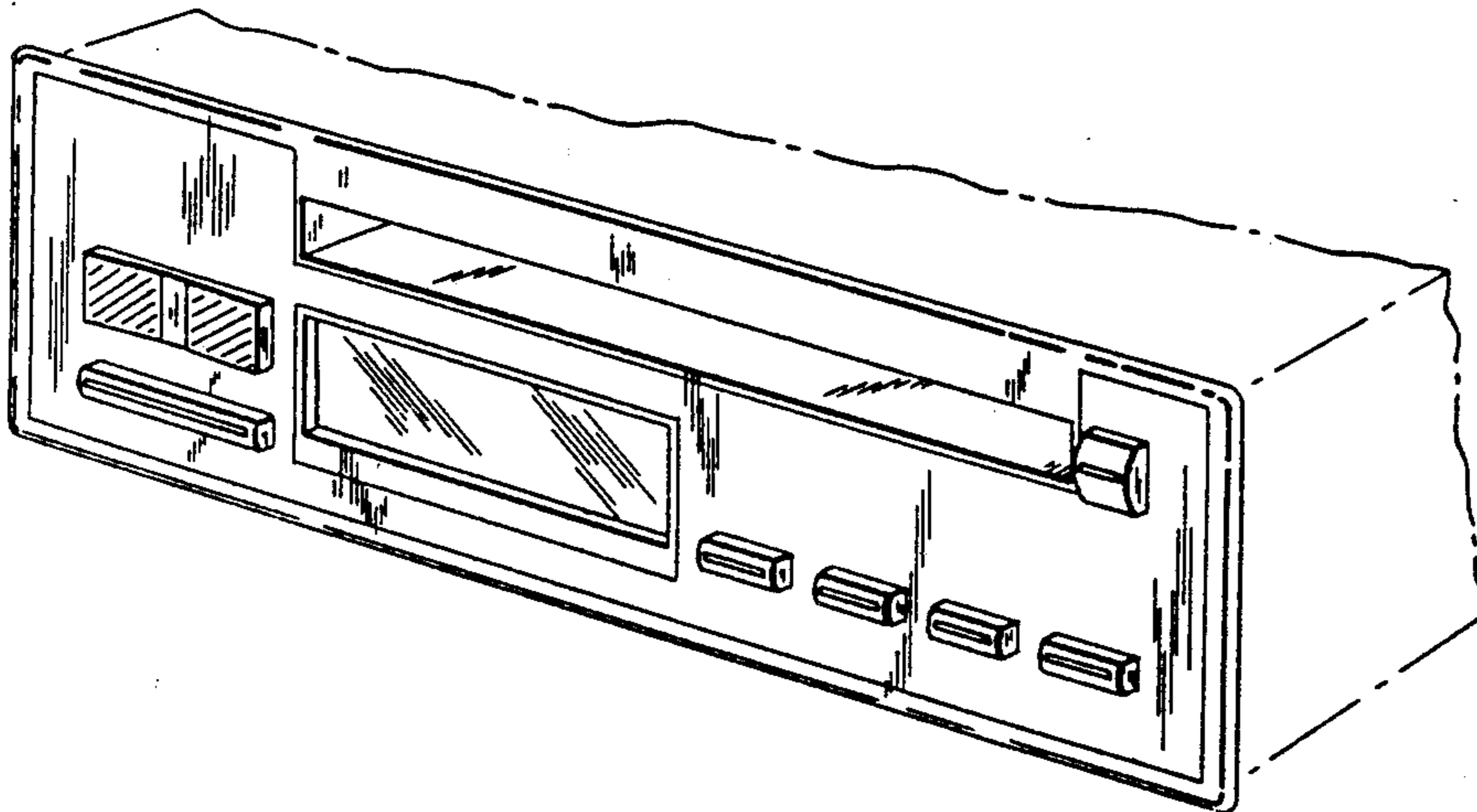
FIG. 3 is a front elevational view thereof;

FIG. 4 is a bottom plan view thereof;

FIG. 5 is a left side elevational view thereof;

FIG. 6 is a right side elevational view thereof.

The broken line showing of the cabinet is for illustrative purposes only and forms no part of the claimed design.



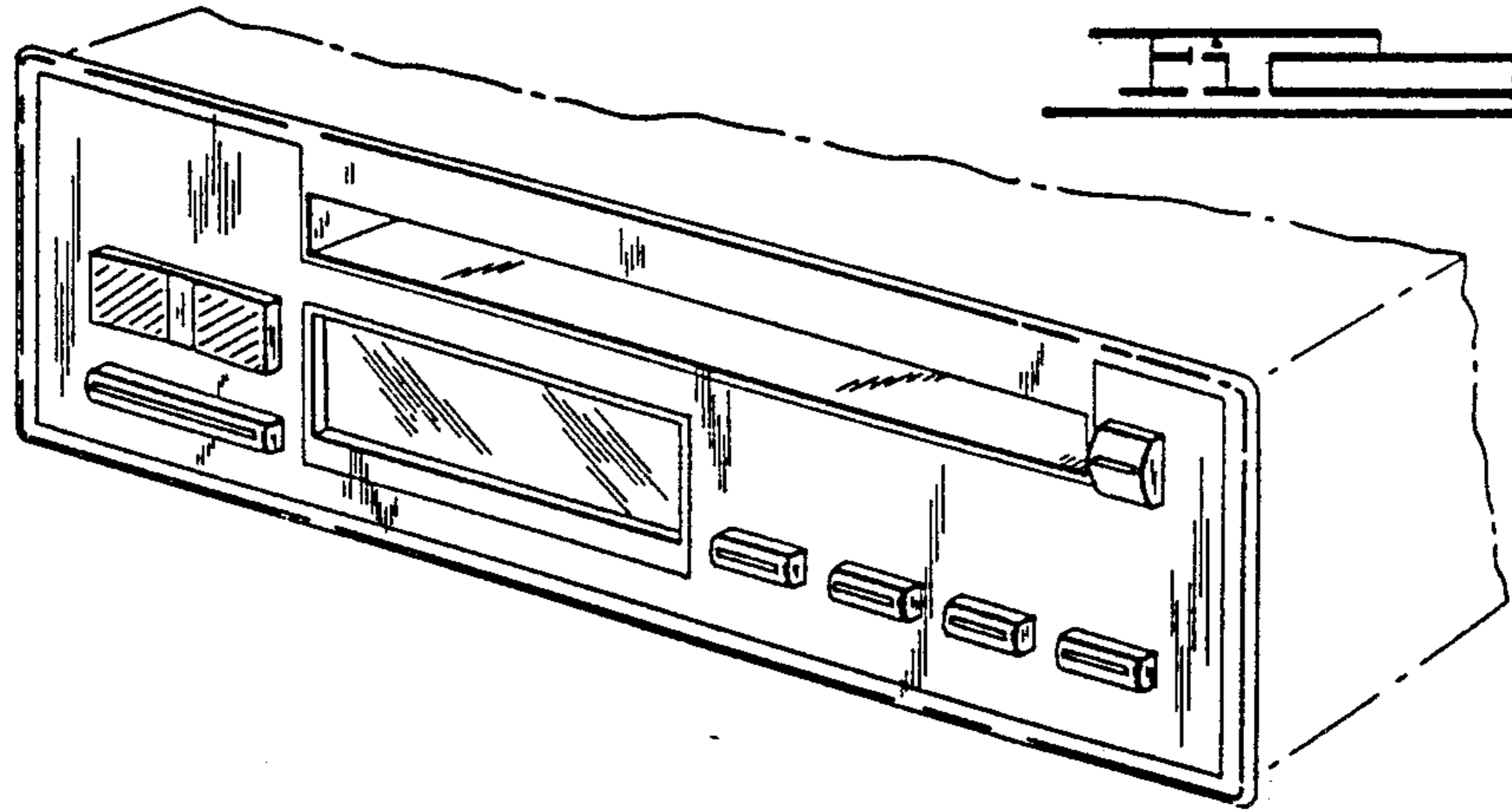


Fig. 1.

Fig. 2.

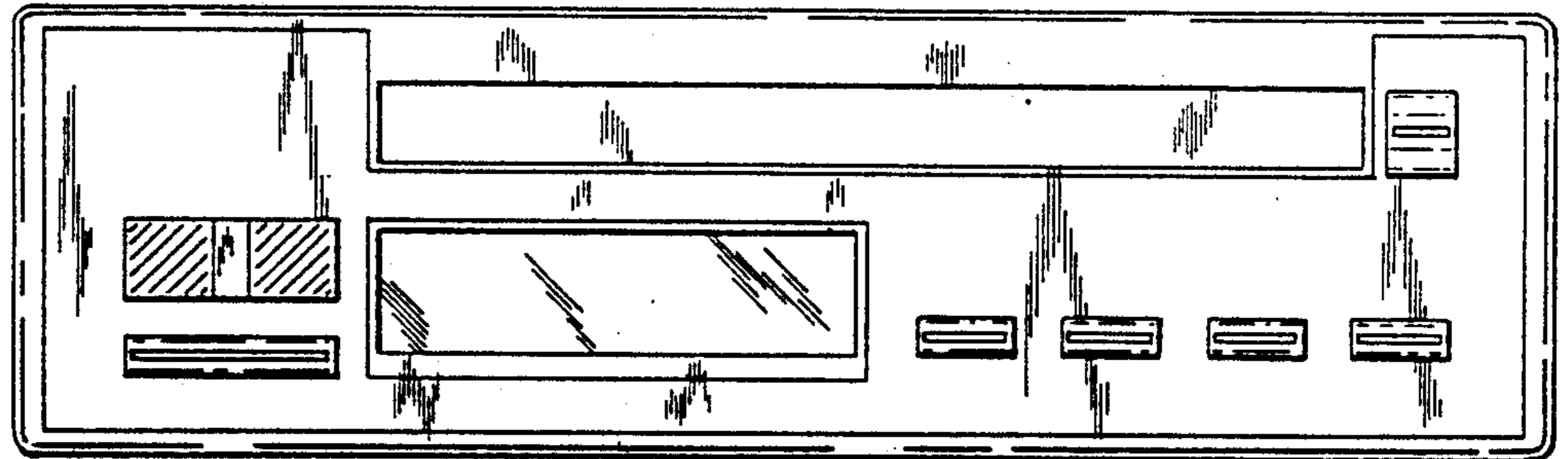
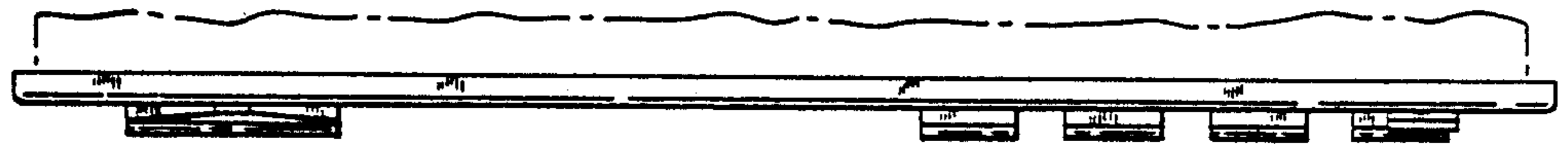


Fig. 3.

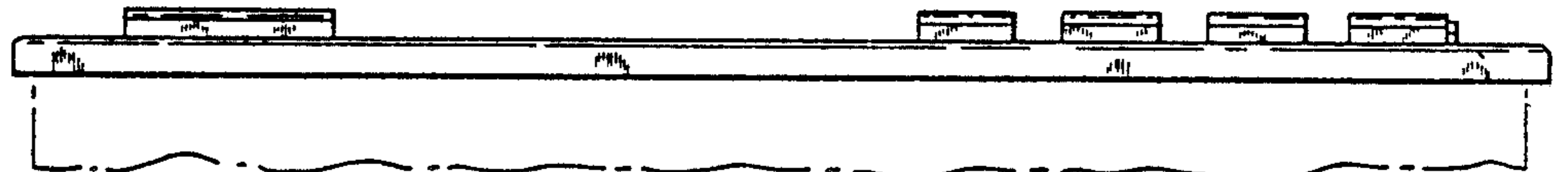


Fig. 4.

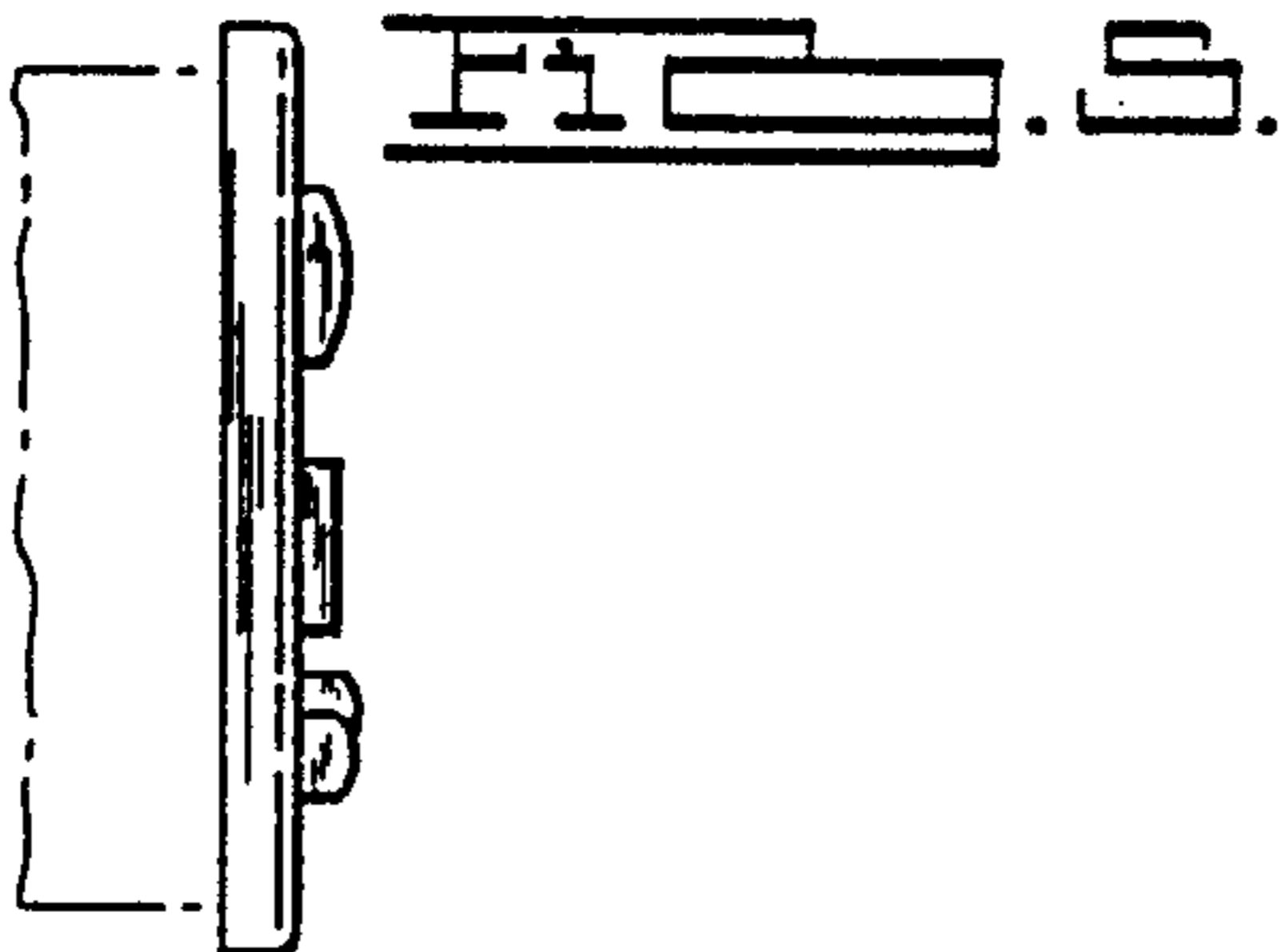


Fig. 5.

Fig. 6.

