

[54] COMBINED MONITOR AND PROCESSOR FOR COMPUTER WORK STATION OR SIMILAR ARTICLE

D. 289,651 5/1987 Nuttall et al. D14/106 X
D. 295,978 5/1988 Brunner D14/113
D. 304,445 11/1989 Kuba D14/113

[75] Inventors: Michael J. Nuttall, Palo Alto; Nelson S. Au, Foster City, both of Calif.

Primary Examiner—Susan J. Lucas
Assistant Examiner—Freda S. Nunn
Attorney, Agent, or Firm—David Weiss

[73] Assignee: Bell & Howell Publication Systems Company, Skokie, Ill.

[57] CLAIM

[**] Term: 14 Years

The ornamental design for a combined monitor and processor for computer work station or similar article, as shown and described.

[21] Appl. No.: 241,547

DESCRIPTION

[22] Filed: Sep. 7, 1988

[52] U.S. Cl. D14/113; D14/106

[58] Field of Search D14/100, 101, 106, 107, D14/109, 113, 115; 340/700, 706, 711, 712; 358/249, 254; 364/706-710; 312/208

FIG. 1 is a perspective view of a combined monitor and processor for computer work station or similar article showing our new design;
FIG. 2 is a top plan view thereof, the bottom being flat and unadorned;
FIG. 3 is a right side elevation view thereof, the left side elevation being a mirror image;
FIG. 4 is a front elevation view thereof;
FIG. 5 is a rear elevation view thereof; and
FIG. 6 is a perspective view thereof, the monitor being rotated and tilted.

[56] References Cited

U.S. PATENT DOCUMENTS

D. 274,726 7/1984 Caven D14/113
D. 278,149 3/1985 Naito D14/113
D. 288,567 3/1987 Moggridge D14/106

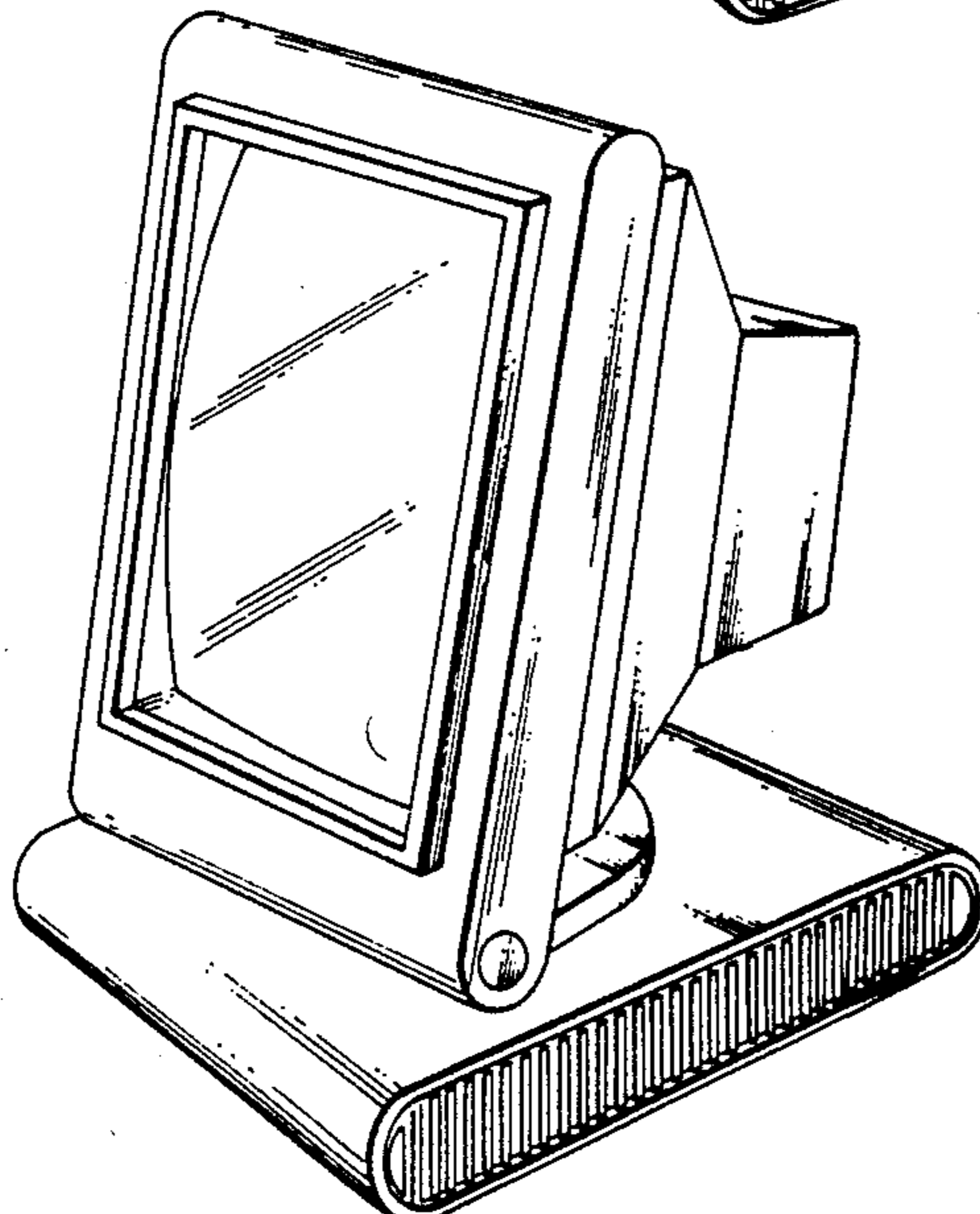
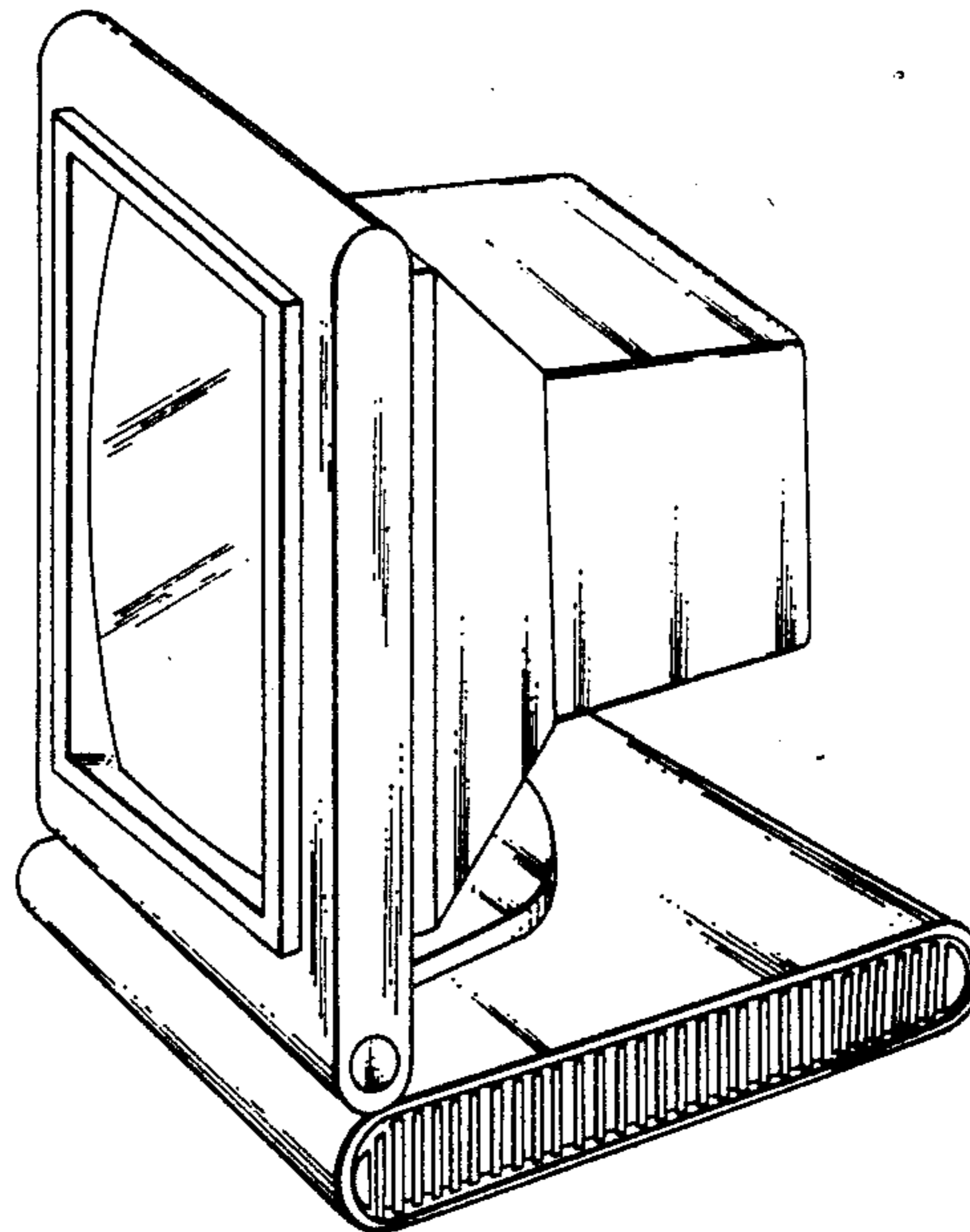


Fig. 1.

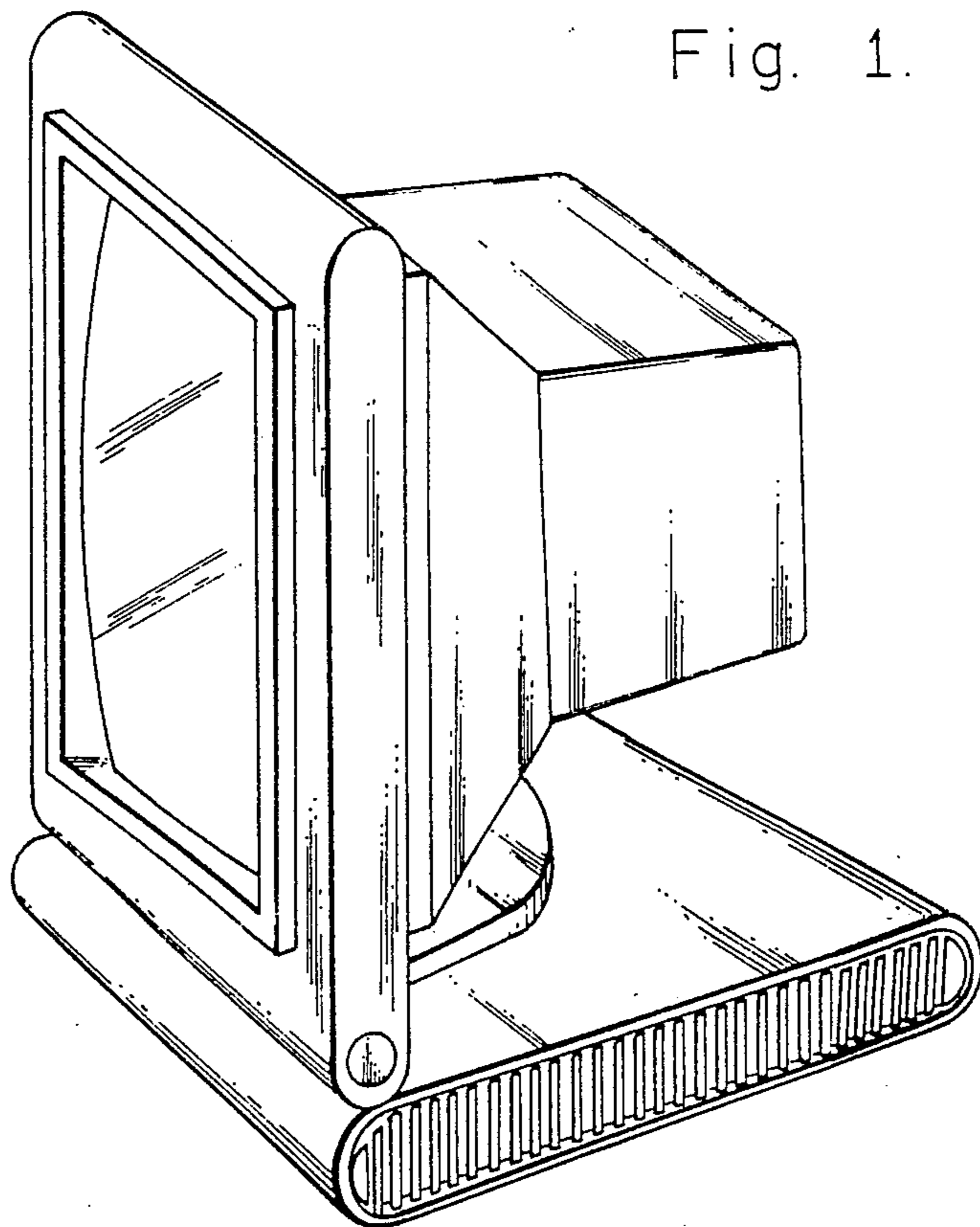
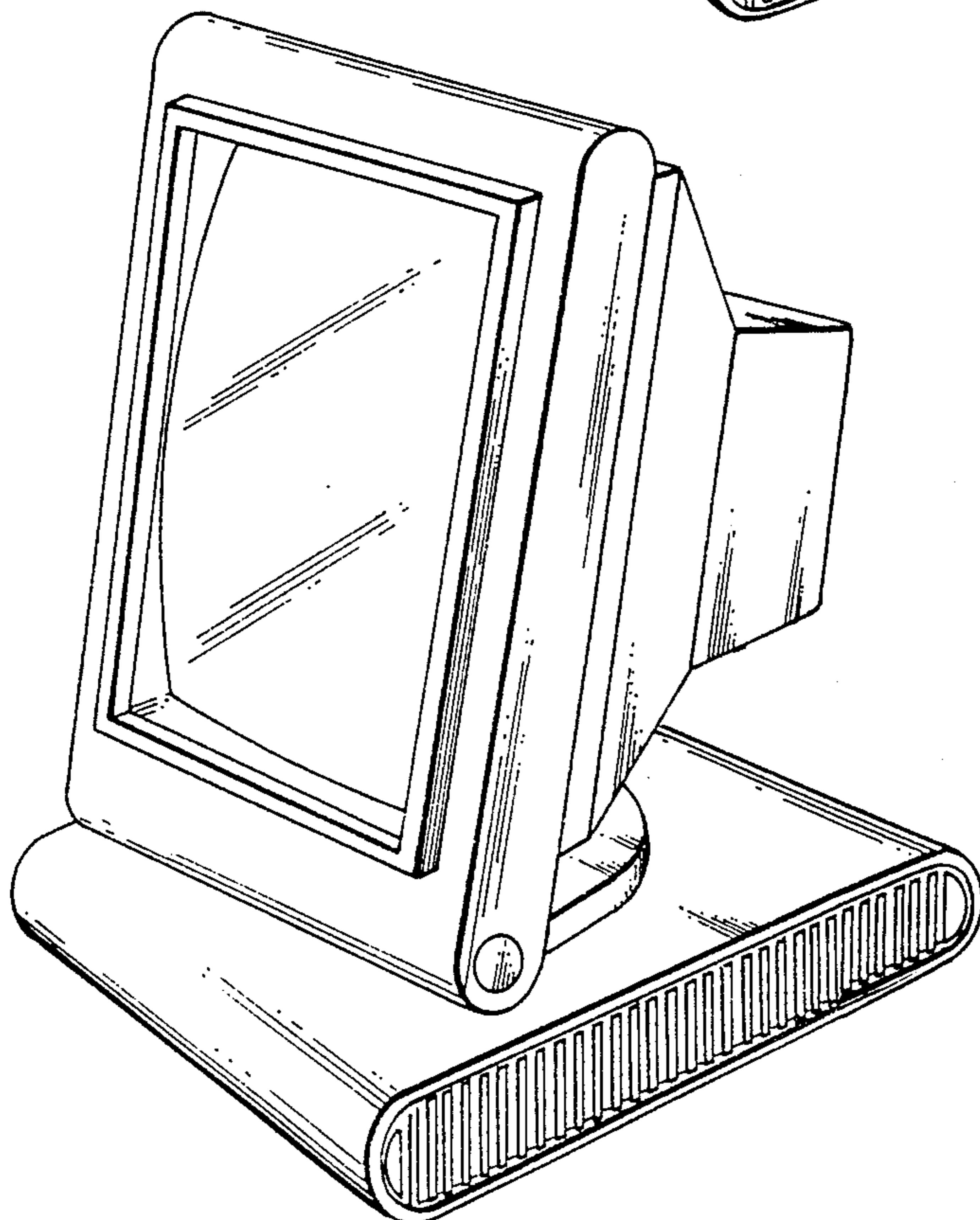


Fig. 6.



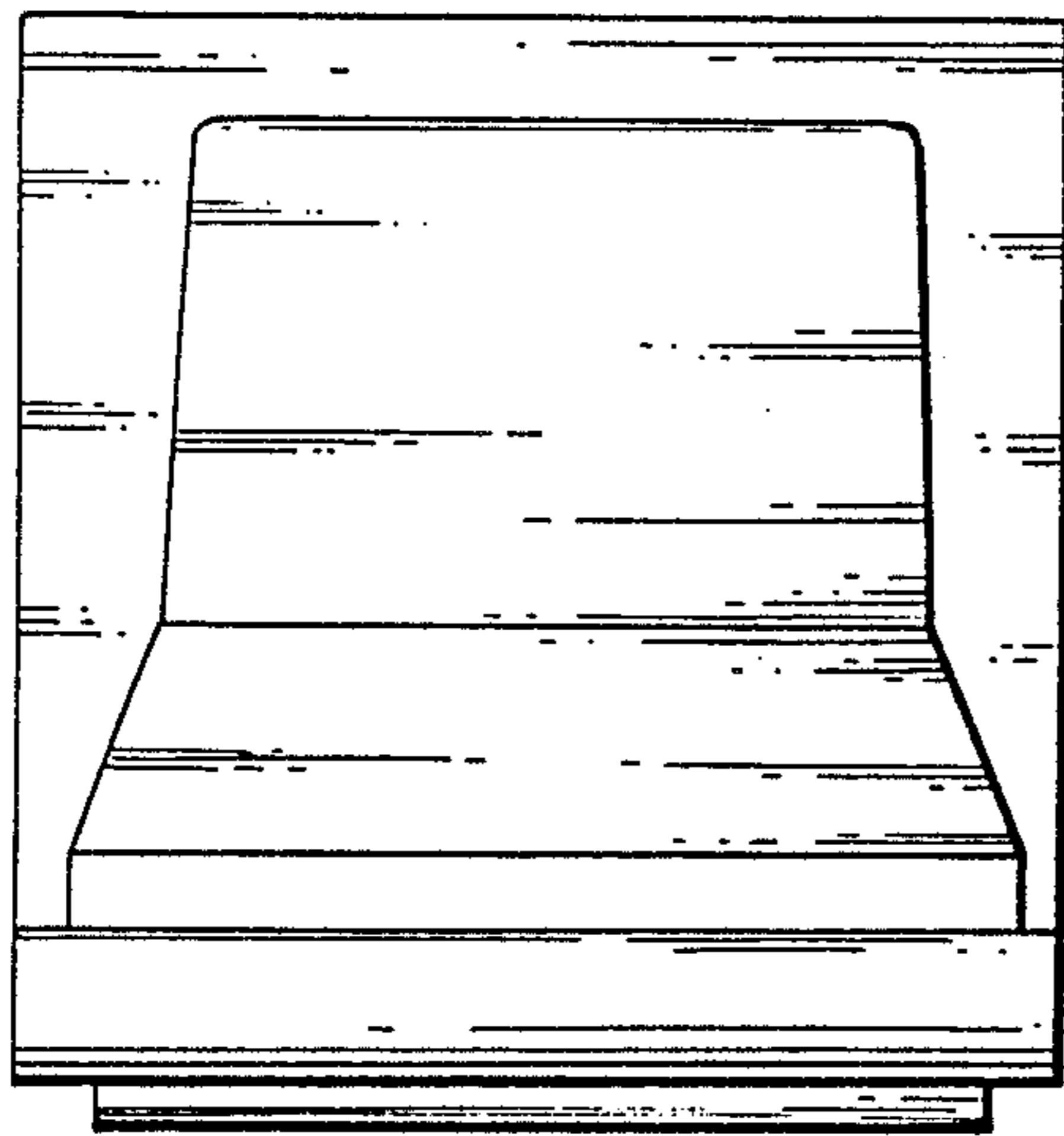


Fig. 2.

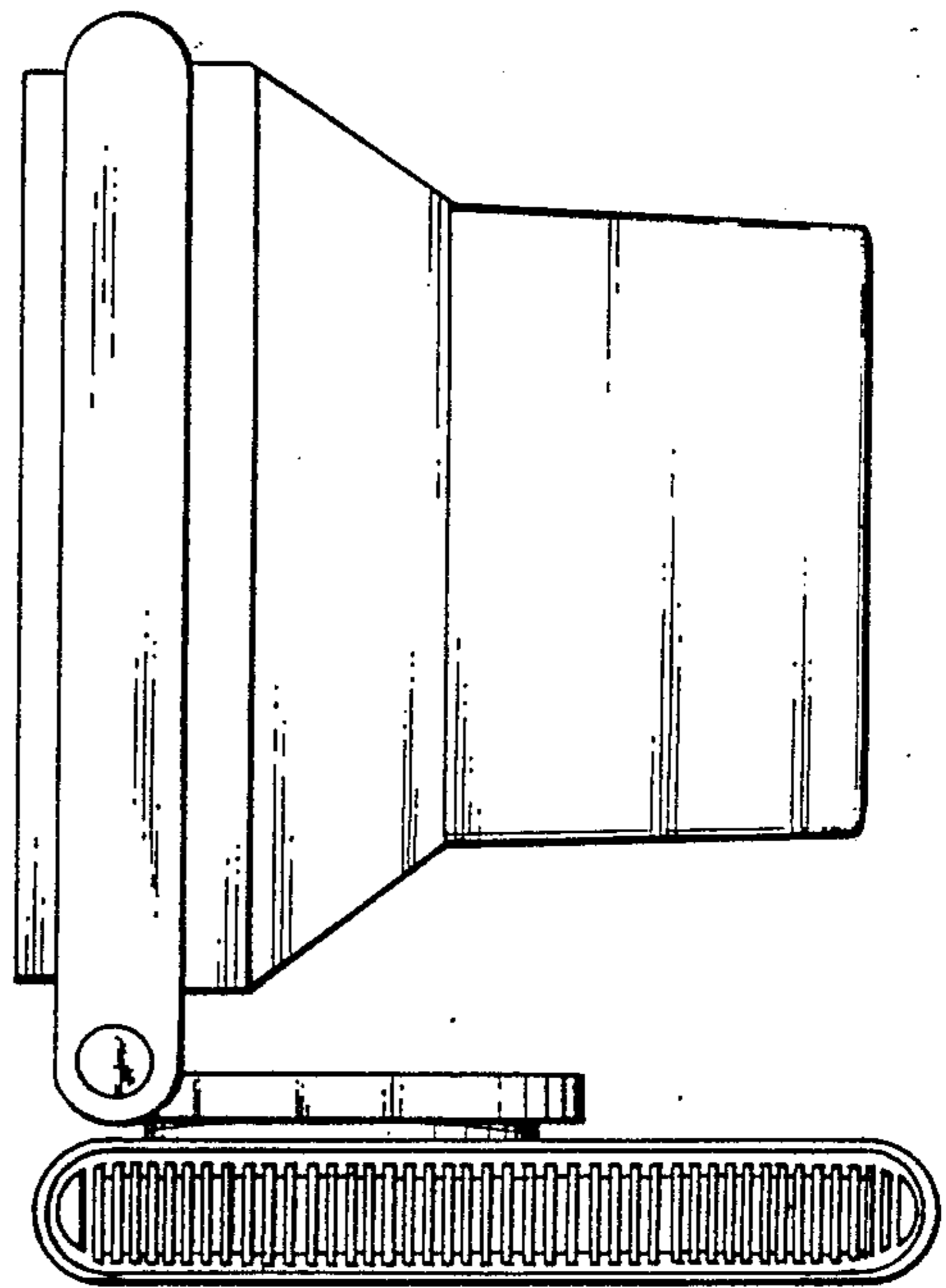


Fig. 3.

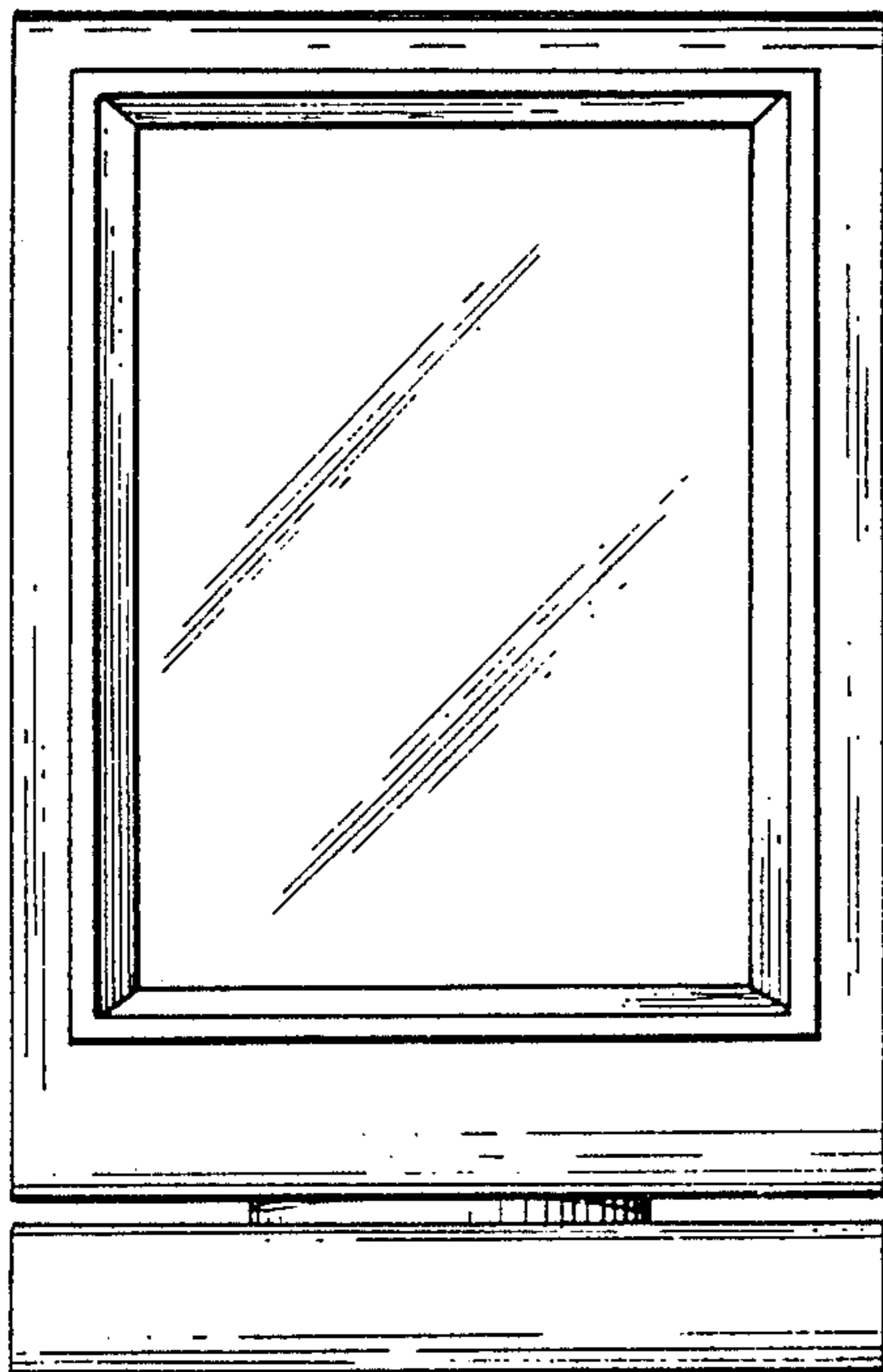


Fig. 4.

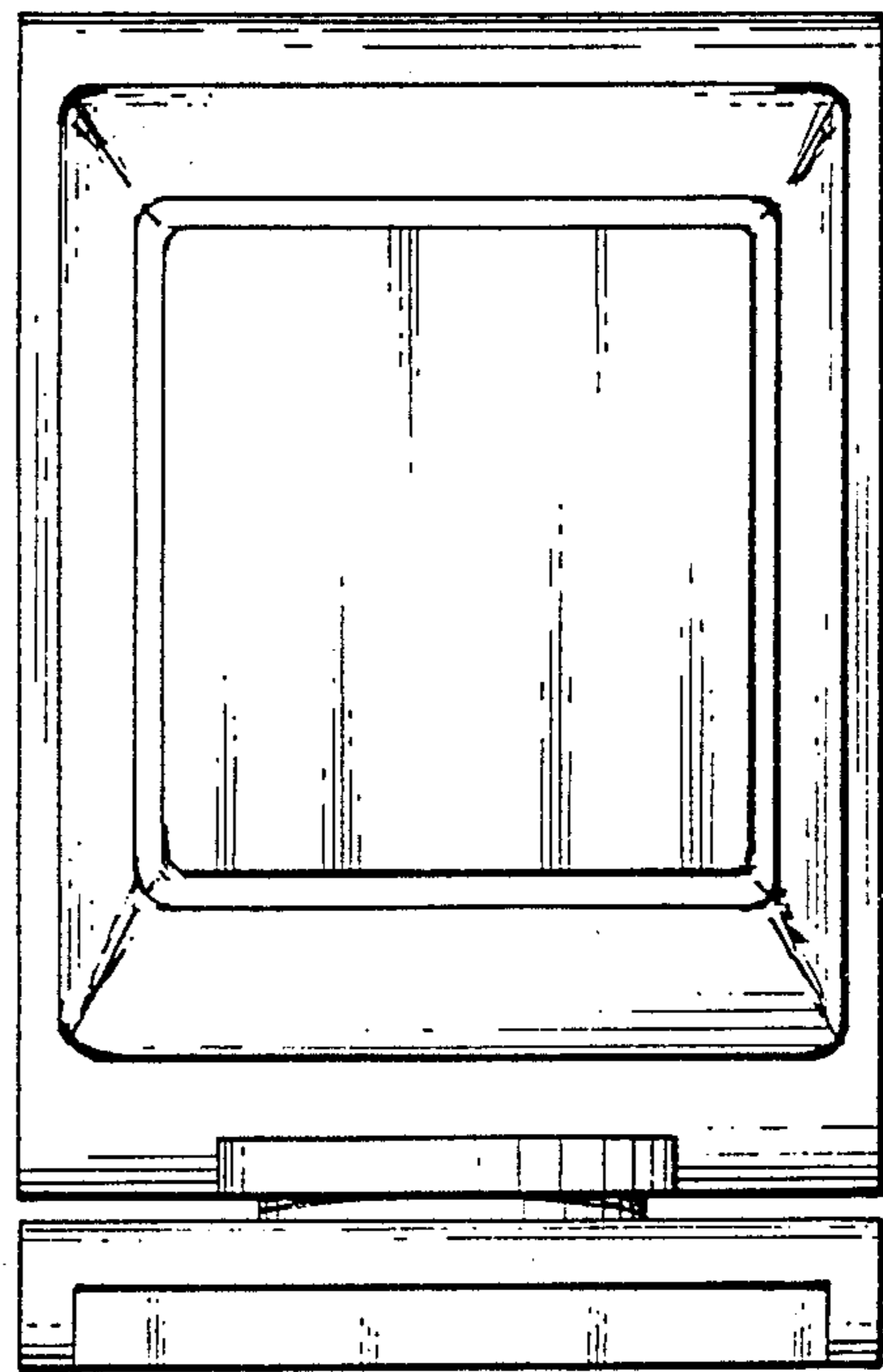


Fig. 5.