

[54] **HARD DISK DRIVE MODULE**

[75] **Inventors: David P. Moriconi, Ben Lomond; Andrew G. Austin, Santa Cruz, both of Calif.**

[73] **Assignee: Tandon Corporation, Moorpark, Calif.**

[\*\*] **Term: 14 Years**

[21] **Appl. No.: 19,551**

[22] **Filed: Feb. 26, 1987**

[52] **U.S. Cl. .... D14/109**

[58] **Field of Search ..... D14/100-105, D14/107, 109; D13/40, 41; 360/97-99, 132, 133, 135, 137, 96.05, 96.06, 86, 92, 93; 361/330-332, 334, 335, 337, 338, 344, 348, 384, 380, 381, 408, 390-395, 415; 369/273, 277, 279, 291, 292, 75.1; 346/41, 63; 174/50, 52.1; 206/309, 312, 444; 200/5 A, 5 R, 6 A, 6 R**

[56] **References Cited**

**U.S. PATENT DOCUMENTS**

D. 231,465 4/1974 Massaro et al. .... D14/109  
D. 259,041 4/1981 Ault et al. .... D14/100  
4,271,489 6/1981 Siryj et al. .... 360/98.05 X

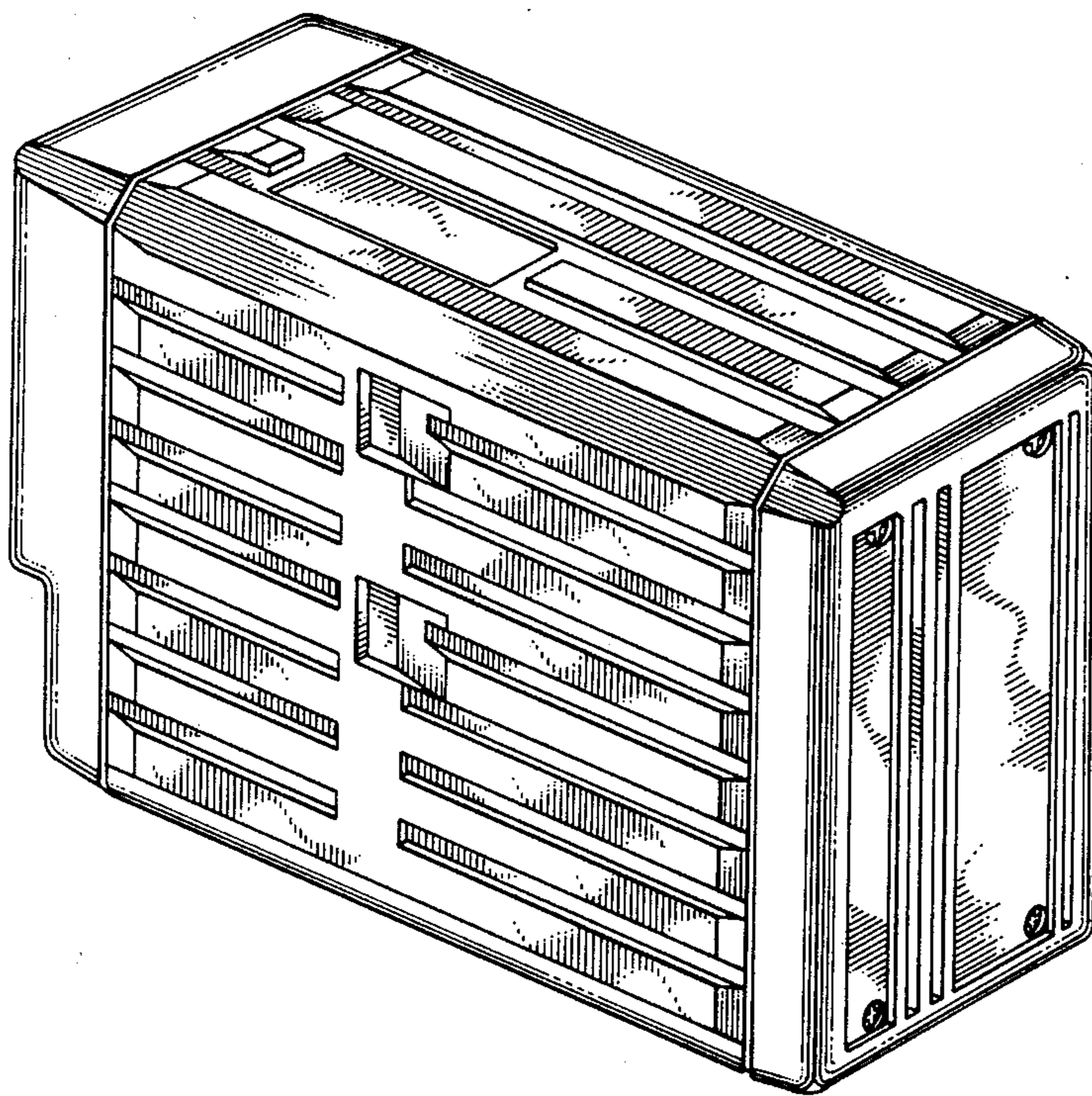
*Primary Examiner*—Susan J. Lucas  
*Assistant Examiner*—Freda S. Nunn  
*Attorney, Agent, or Firm*—Spensley Horn Jubas & Lubitz

[57] **CLAIM**

The ornamental design for a hard disk drive module, as shown and described.

**DESCRIPTION**

FIG. 1 is a front, top, left side perspective view of hard disk drive module showing our new design; FIG. 2 is a left side elevational view thereof; FIG. 3 is a top plan view thereof; FIG. 4 is a front elevational view thereof; FIG. 5 is a back elevational view thereof; FIG. 6 is a right side elevational view thereof; and FIG. 7 is a bottom plan view thereof.



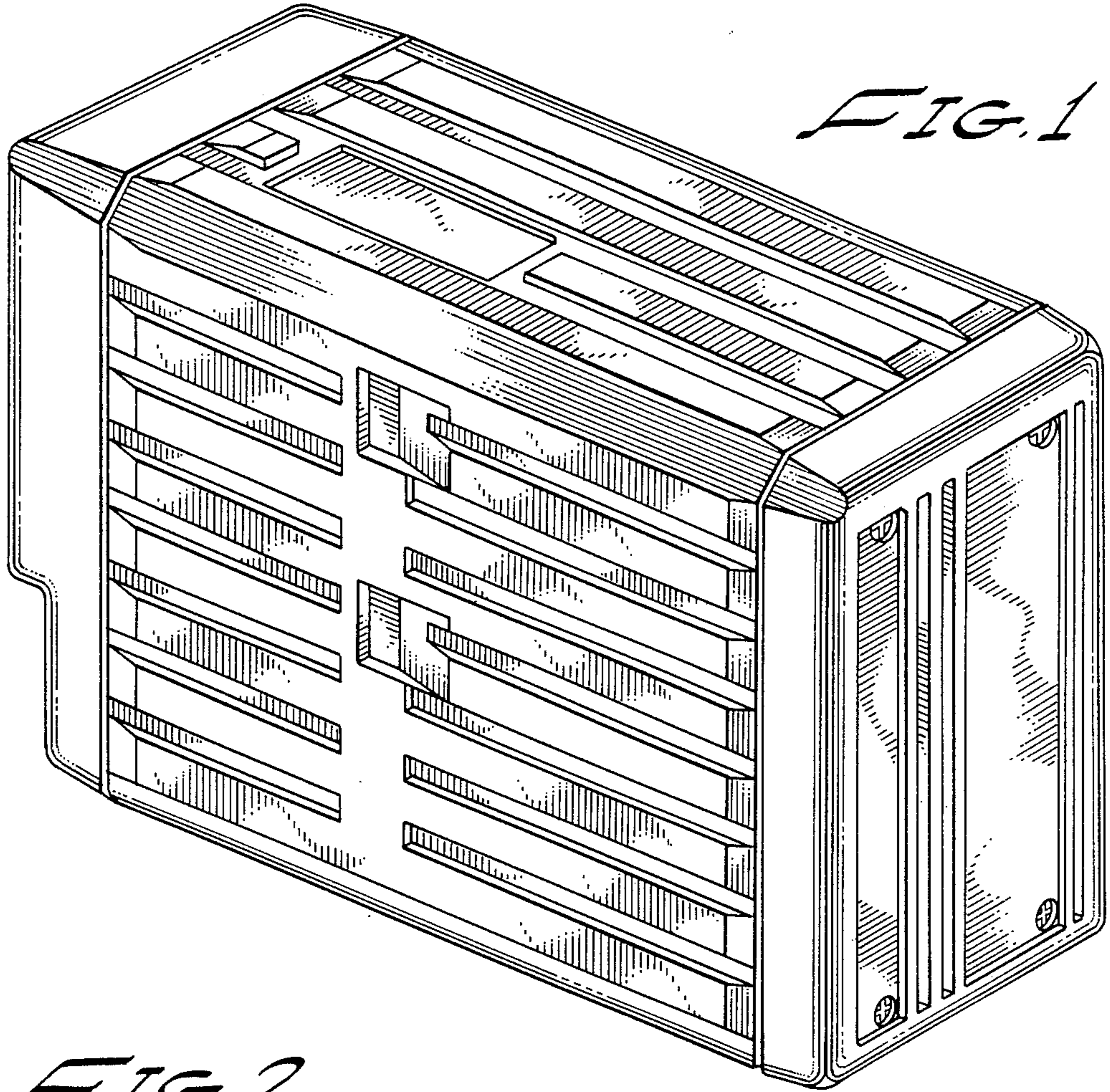
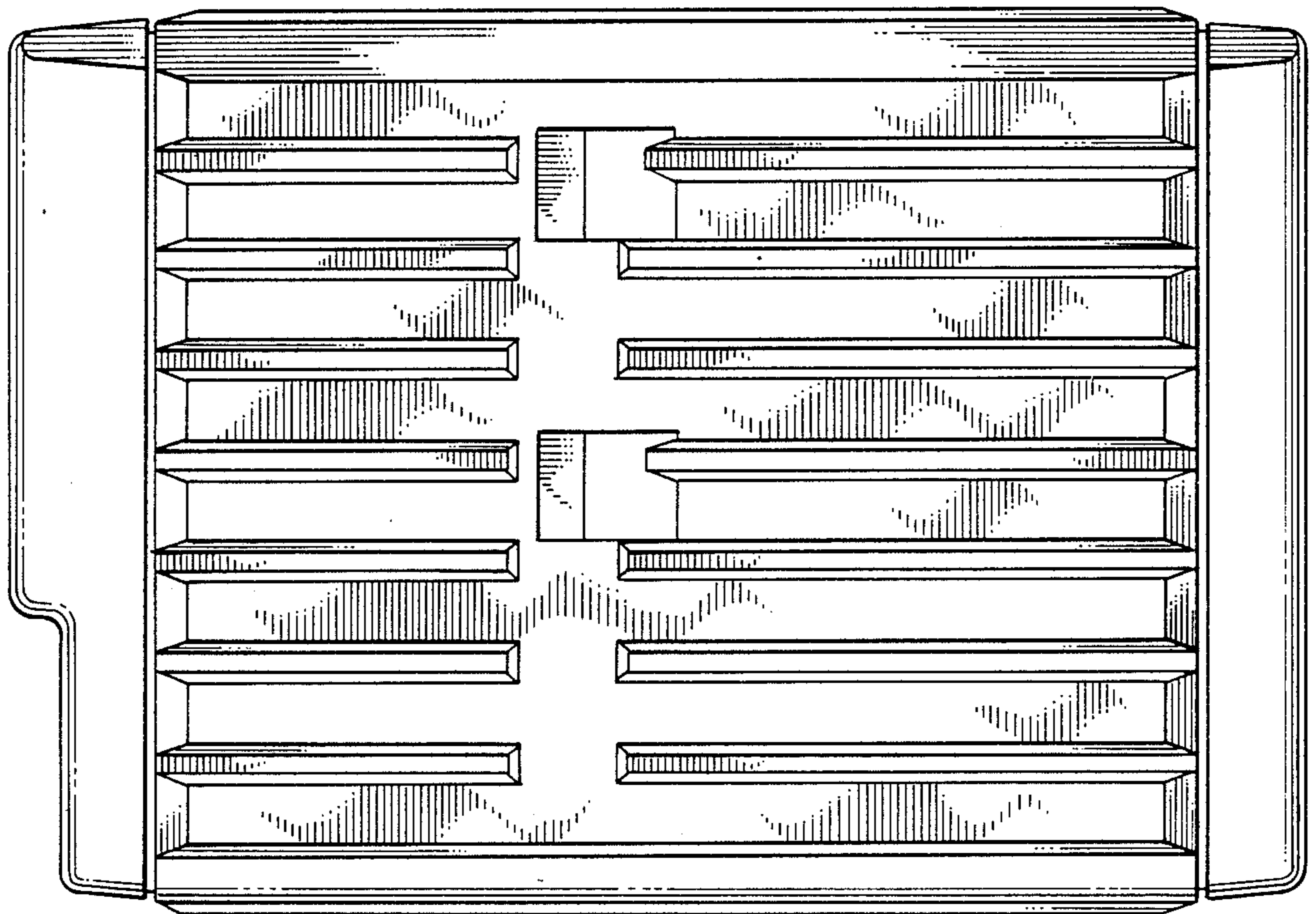


FIG. 2



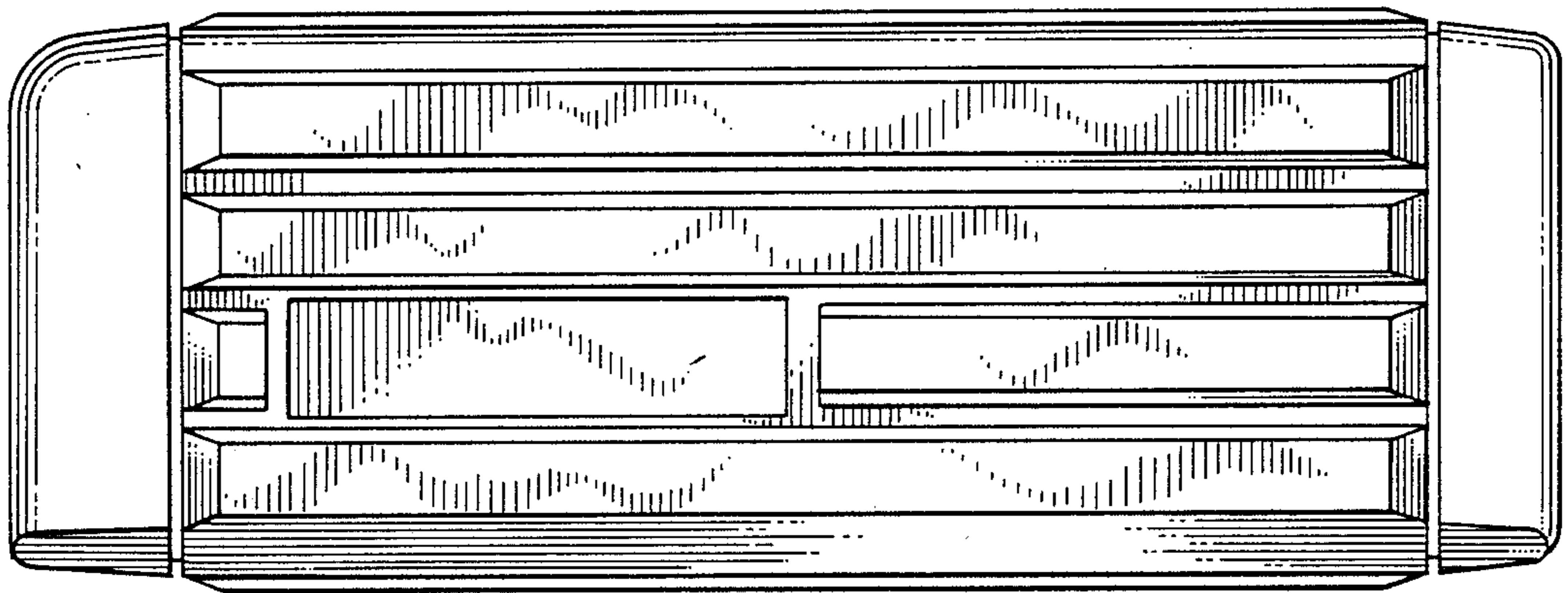


FIG. 3

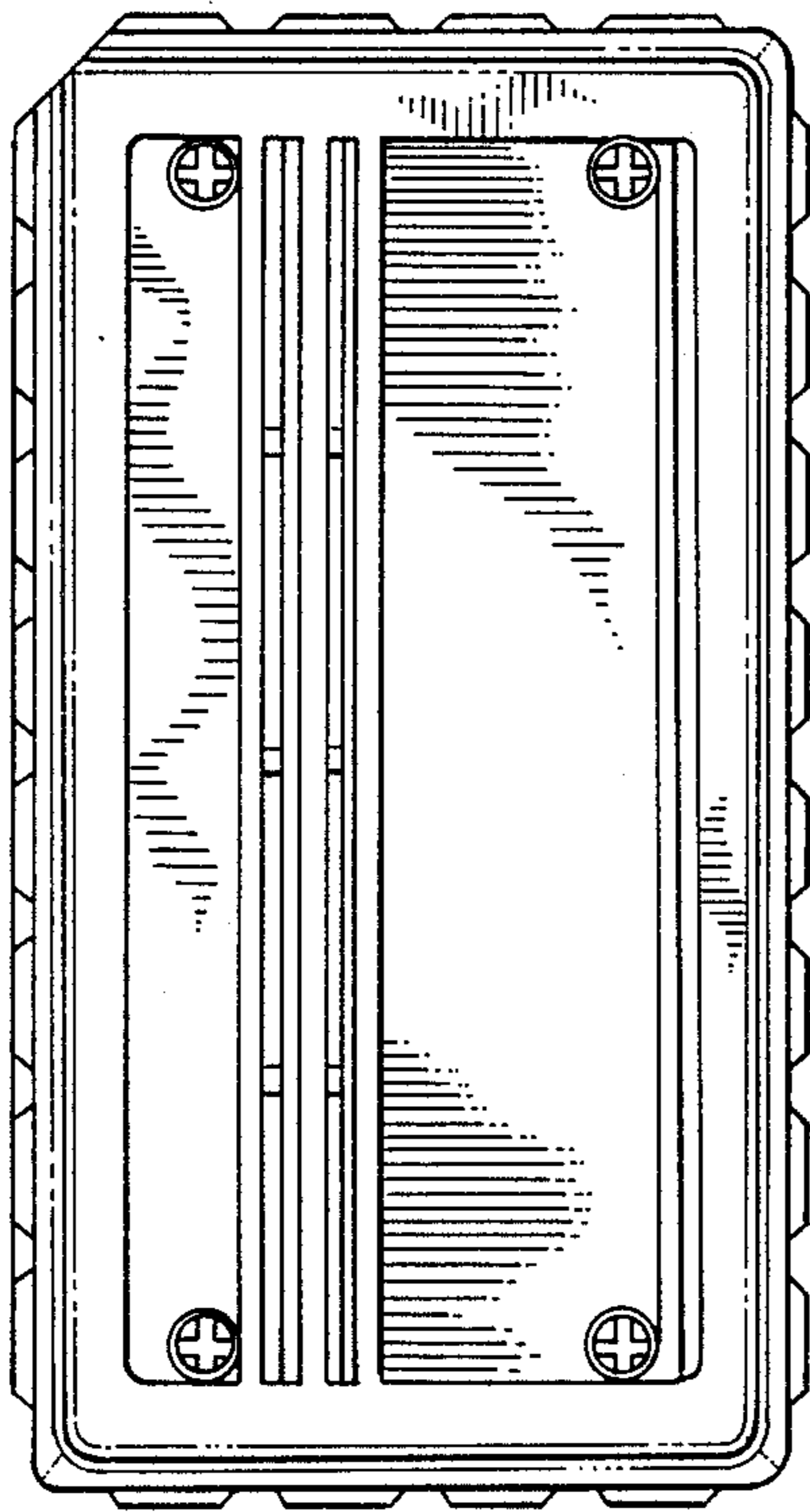


FIG. 4

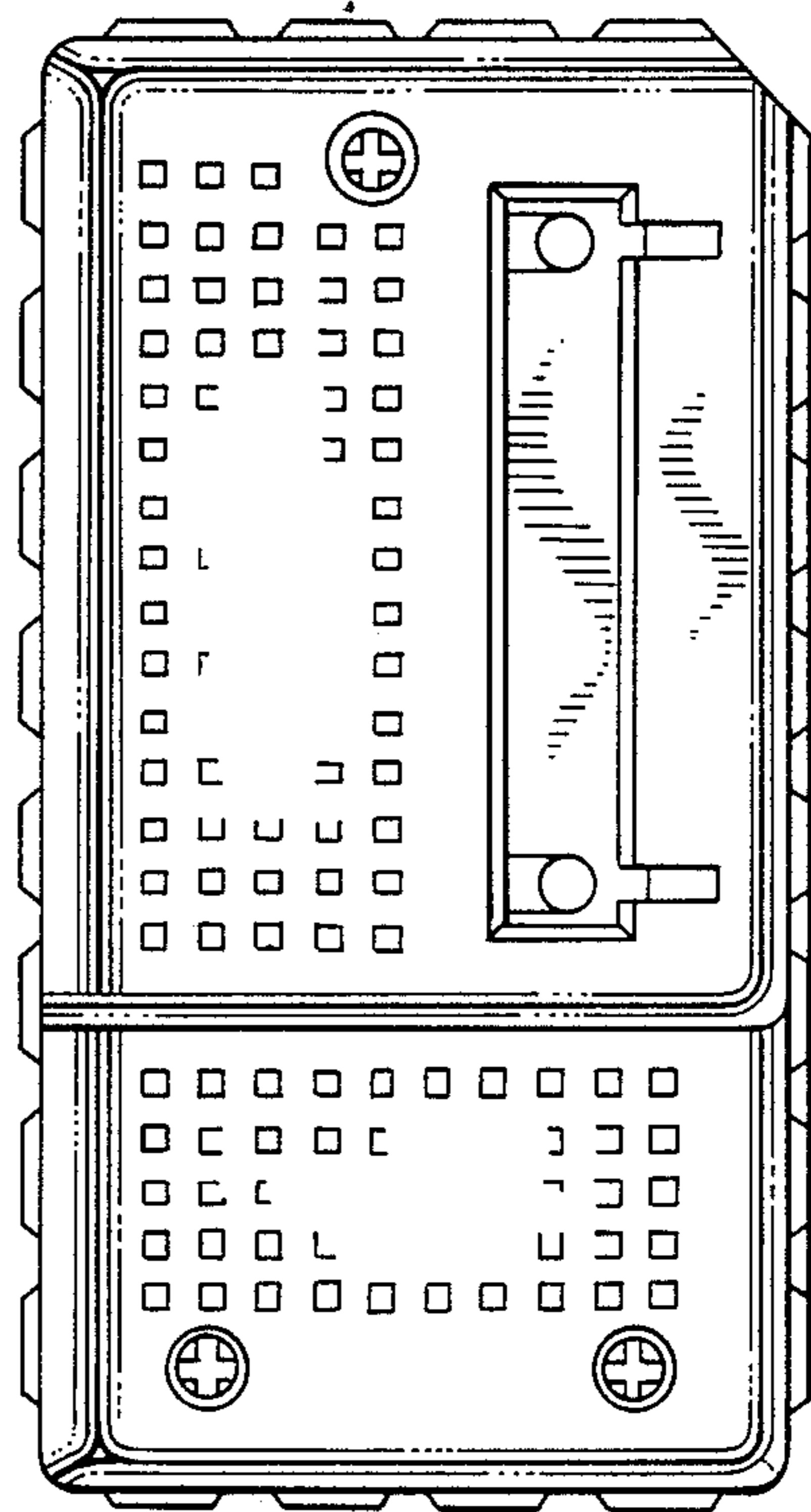
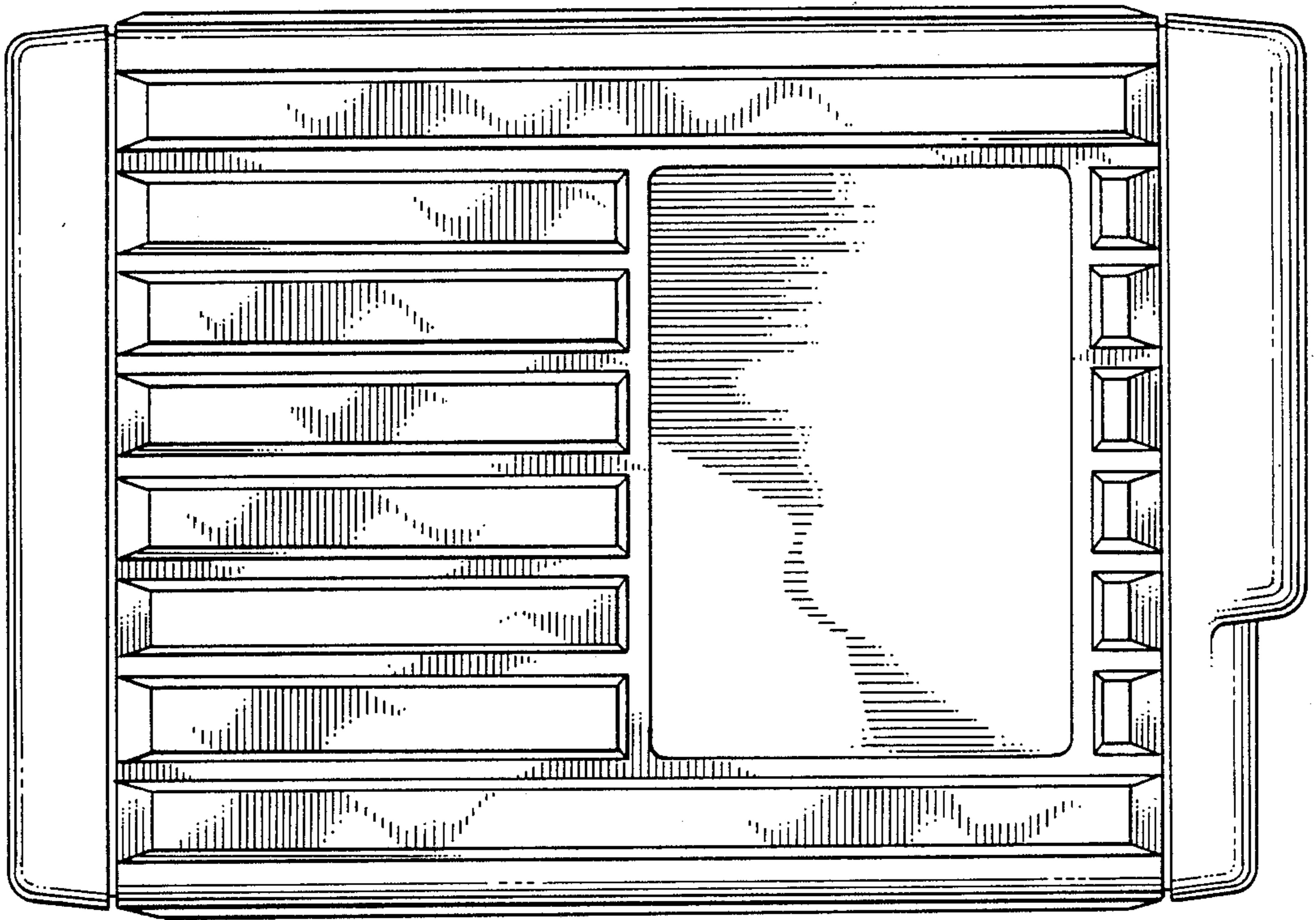
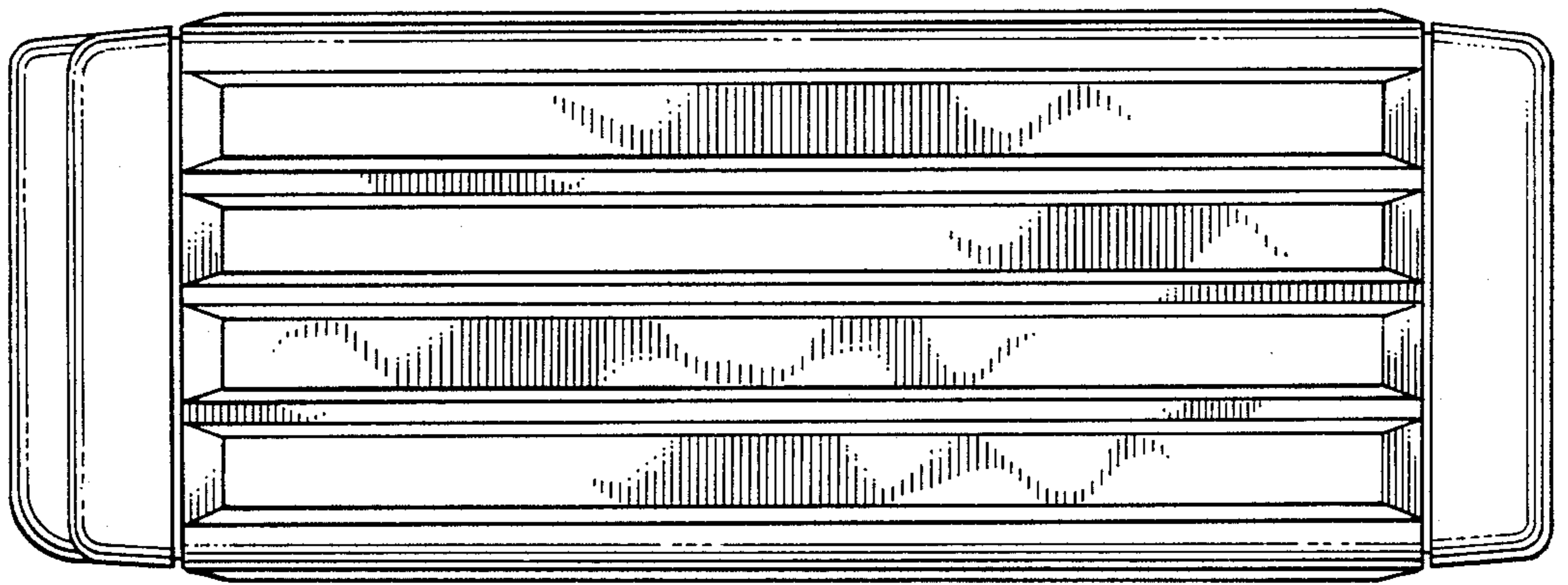


FIG. 5



*FIG. 6*



*FIG. 7*