

[54] WIRELESS TRANSMITTER FOR SELECTABLE LIGHT LEVEL CONTROL SWITCH

[75] Inventor: Michael J. Rowen, Center Valley, Pa.

[73] Assignee: Lutron Electronics Co., Inc., Coopersburg, Pa.

[**] Term: 14 Years

[21] Appl. No.: 249,465

[22] Filed: Sep. 26, 1988

[52] U.S. Cl. D13/168; D13/171

[58] Field of Search D13/32, 40, 41, 99, D13/25, 4, 12, 158, 184, 199, 168, 123; D10/46, 106; D14/218; 455/95, 603; 250/221

[56] References Cited

U.S. PATENT DOCUMENTS

- D. 257,765 1/1981 Schachter D10/46
- D. 285,542 9/1986 Tanaka et al. D10/106
- D. 291,888 9/1987 Fong et al. D10/106 X
- D. 299,922 2/1989 Schremmer D14/218

OTHER PUBLICATIONS

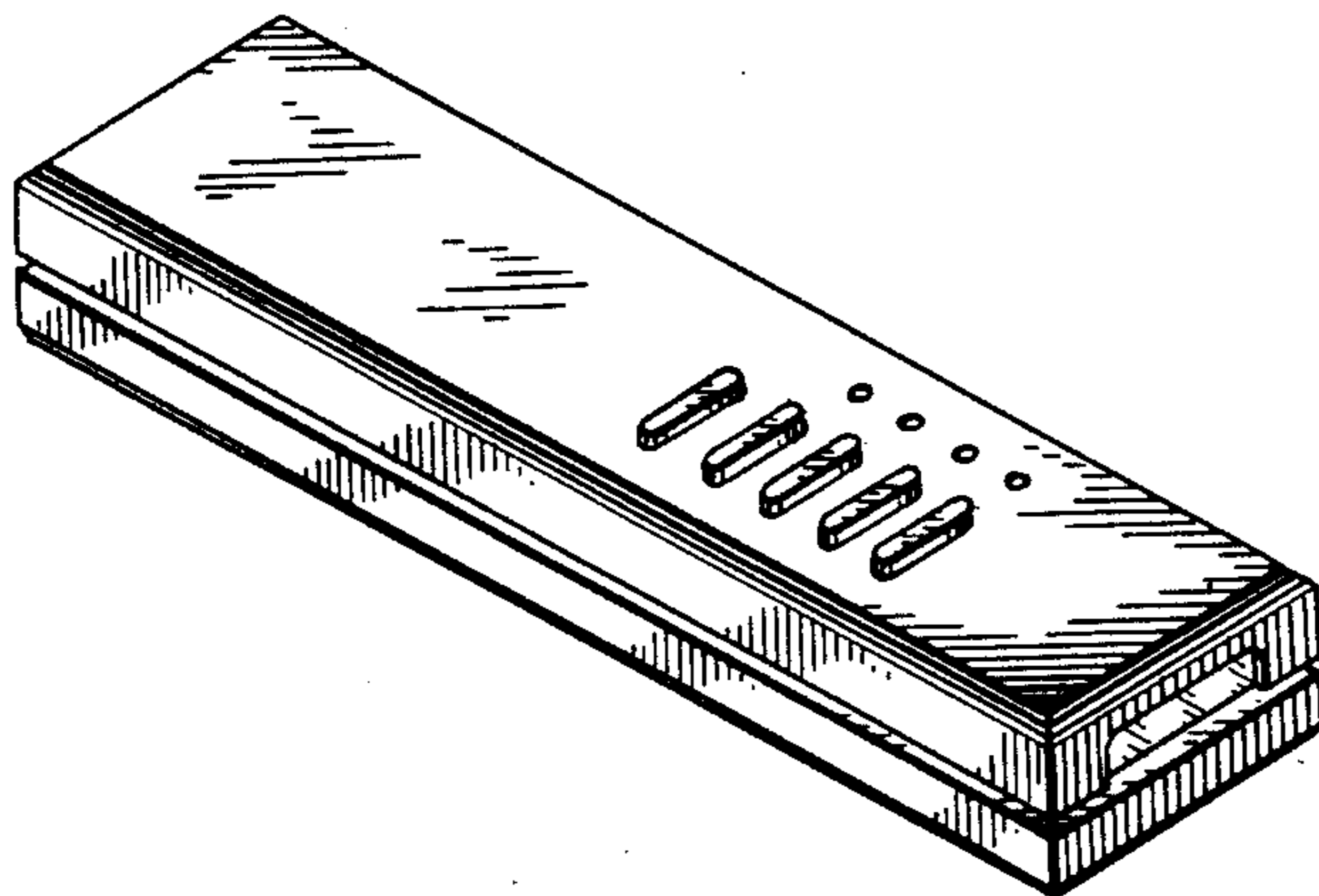
Lutron Electronics Co.—Grafik Eye Preset Dimming Control Brochure P/N 360-221.
 U.S. Ser. No. 79,863 filed Mar. 1977, Mayo et al.
 U.S. Ser. No. 79,746 filed Feb. 1982, Spira.
 Transmitter on p. 321 of Hong Kong Enterprises, 11-84.
 Transmitter on p. 329 of Hong Kong Enterprises, 1-85.
 Primary Examiner—Susan J. Lucas
 Assistant Examiner—Joel Sincavage

[57] CLAIM

The ornamental design for a wireless transmitter for selectable light level control switch, as shown and described.

DESCRIPTION

FIG. 1 is an isometric illustration of a wireless transmitter for selectable light level control switch showing my new design.
 FIG. 2 is a top plan view thereof.
 FIG. 3 is a front elevational view thereof.
 FIG. 4 is a bottom plan view thereof.
 FIG. 5 is a left end elevational view thereof.
 FIG. 6 is a right end elevational view thereof.



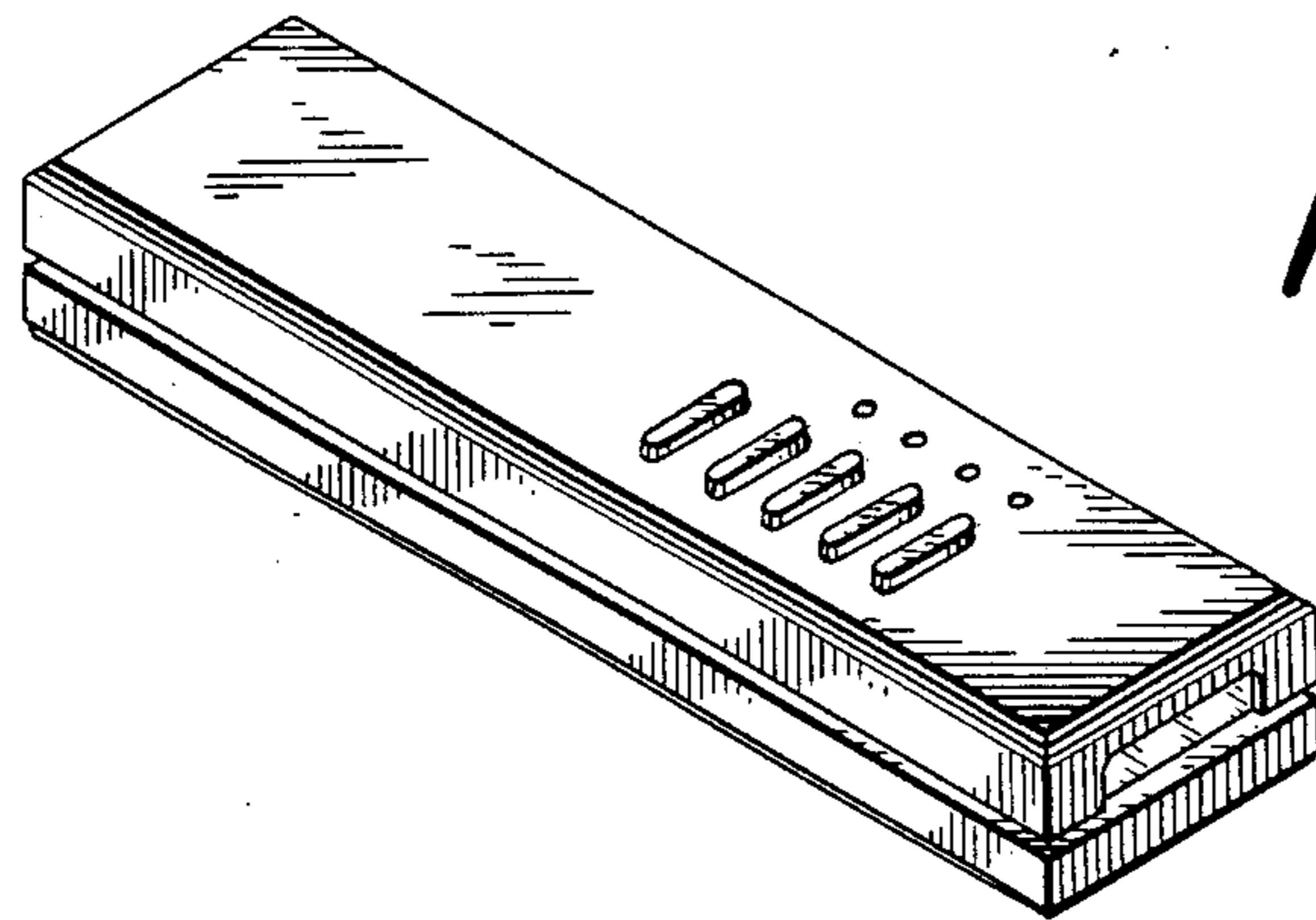


FIG. 1

FIG. 2

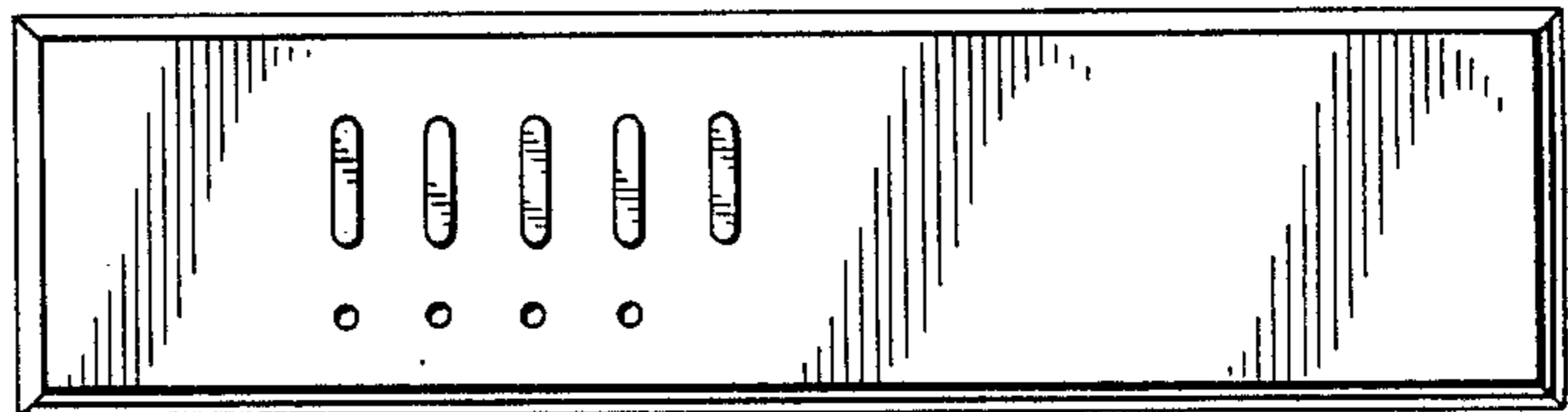


FIG. 3

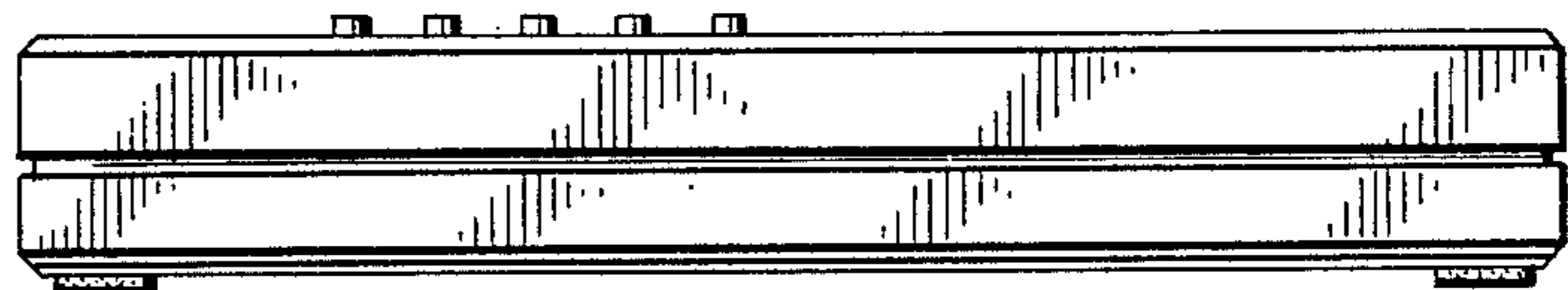


FIG. 4

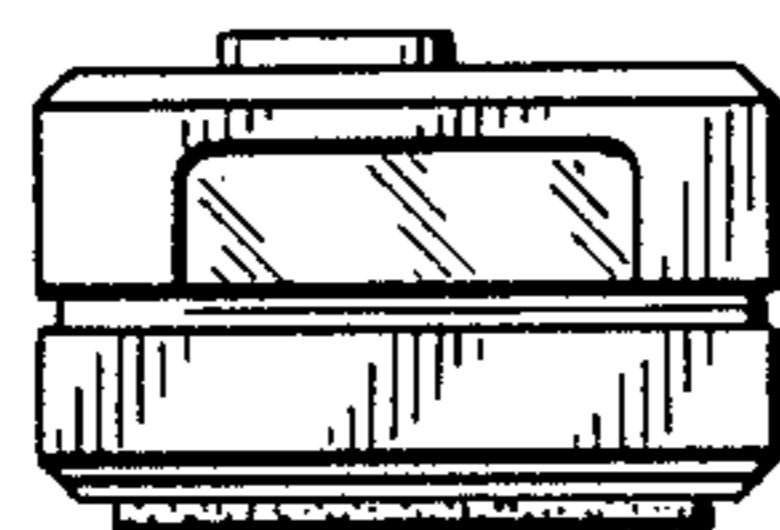
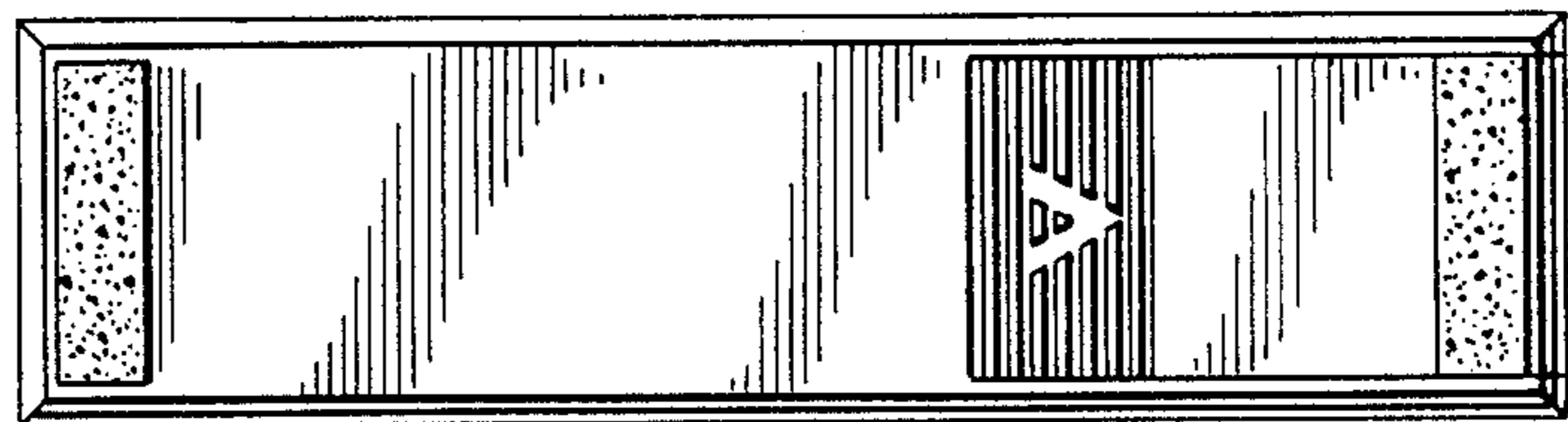


FIG. 5



FIG. 6