

[54] **ENGINE GENERATOR**

[75] **Inventors: Masaaki Higuchi, Koshigaya; Masaru Atsumi, Saitama; Yasuo Otake, Ohmiya; Yukinori Itoh, Kawagoe, all of Japan**

[73] **Assignee: Fuji Jukogyo Kabushiki Kaisha, Tokyo, Japan**

[*] **Notice: The portion of the term of this patent subsequent to Jul. 31, 2004 has been disclaimed.**

[**] **Term: 14 Years**

[21] **Appl. No.: 110,682**

[22] **Filed: Oct. 20, 1987**

[30] **Foreign Application Priority Data**

Apr. 22, 1987 [JP] Japan 62-015977

[52] **U.S. Cl. D13/114**

[58] **Field of Search D13/1, 2, 3; D15/1; 290/1 A, 1 B; 307/150**

[56] **References Cited**

U.S. PATENT DOCUMENTS

- D. 205,975 10/1966 Sato et al. D13/1 X
- D. 276,515 11/1984 Yaguchi D13/1
- D. 282,252 1/1986 Yamaguchi et al. D13/2
- D. 291,432 8/1987 Yaguchi D13/2

- 4,595,841 6/1986 Yaguchi 310/50 X
- 4,608,946 9/1986 Tanaka et al. D13/3 X
- 4,622,923 11/1986 Nishimura et al. 290/1 B X
- 4,721,070 1/1988 Tanaka et al. 290/1 B X

FOREIGN PATENT DOCUMENTS

- 587054 7/1982 Japan D13/2 X
- 593315 10/1982 Japan D13/2 X

OTHER PUBLICATIONS

Generator No. 2W512 Pictured on p. 804 of W. W. Granger Catalog 369, Spring 1969.

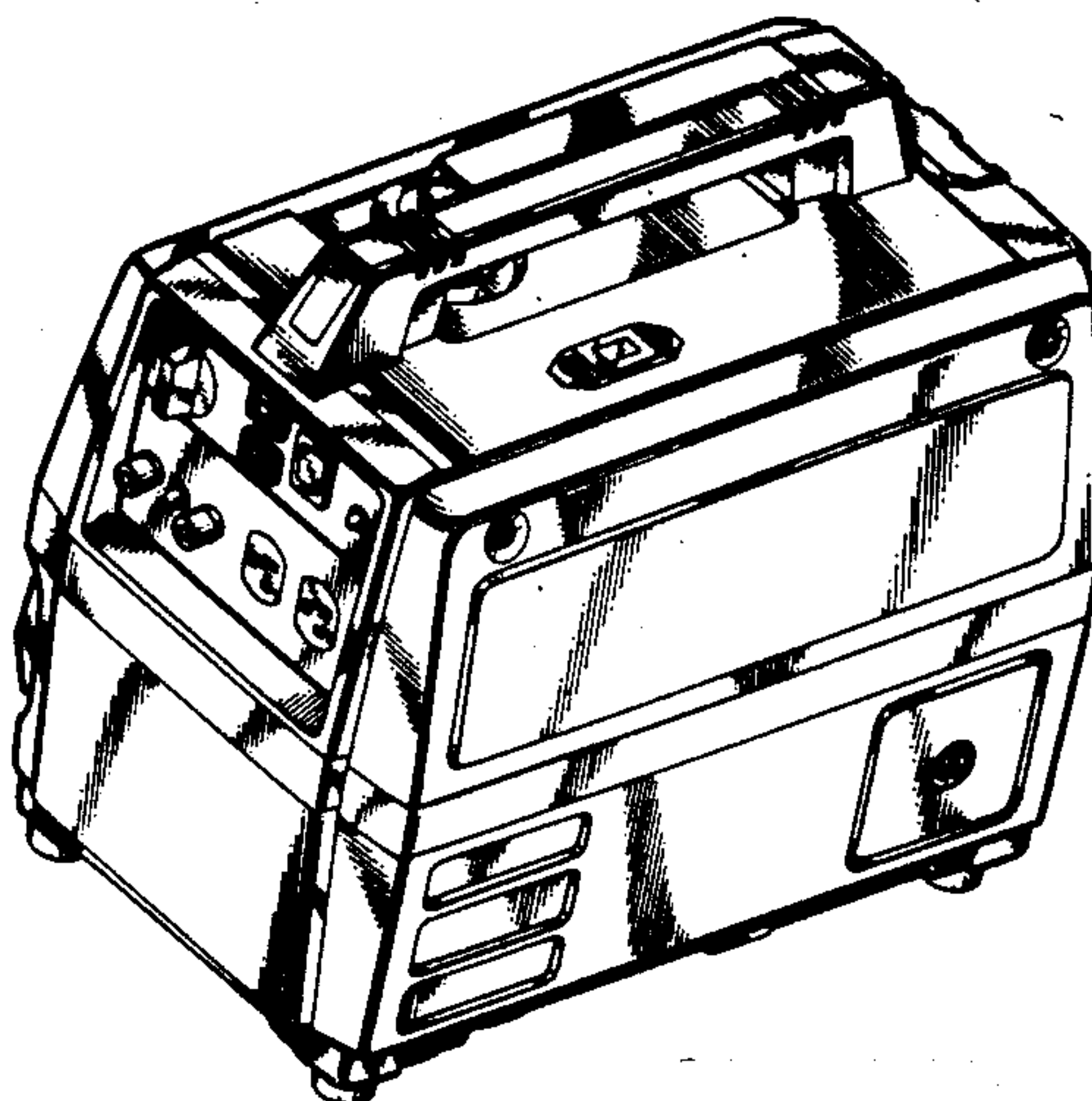
Primary Examiner—Susan J. Lucas
Assistant Examiner—Joel Sincavage
Attorney, Agent, or Firm—Martin A. Farber

[57] **CLAIM**

The ornamental design for an engine generator, as shown.

DESCRIPTION

FIG. 1 is a front perspective view of the engine generator;
FIG. 2 is a rear perspective view thereof;
FIG. 3 is a front elevational view thereof;
FIG. 4 is a rear elevational view thereof;
FIG. 5 is a right side elevational view thereof;
FIG. 6 is a left side elevational view thereof;
FIG. 7 is a top plan view thereof; and
FIG. 8 is a bottom plan view thereof.



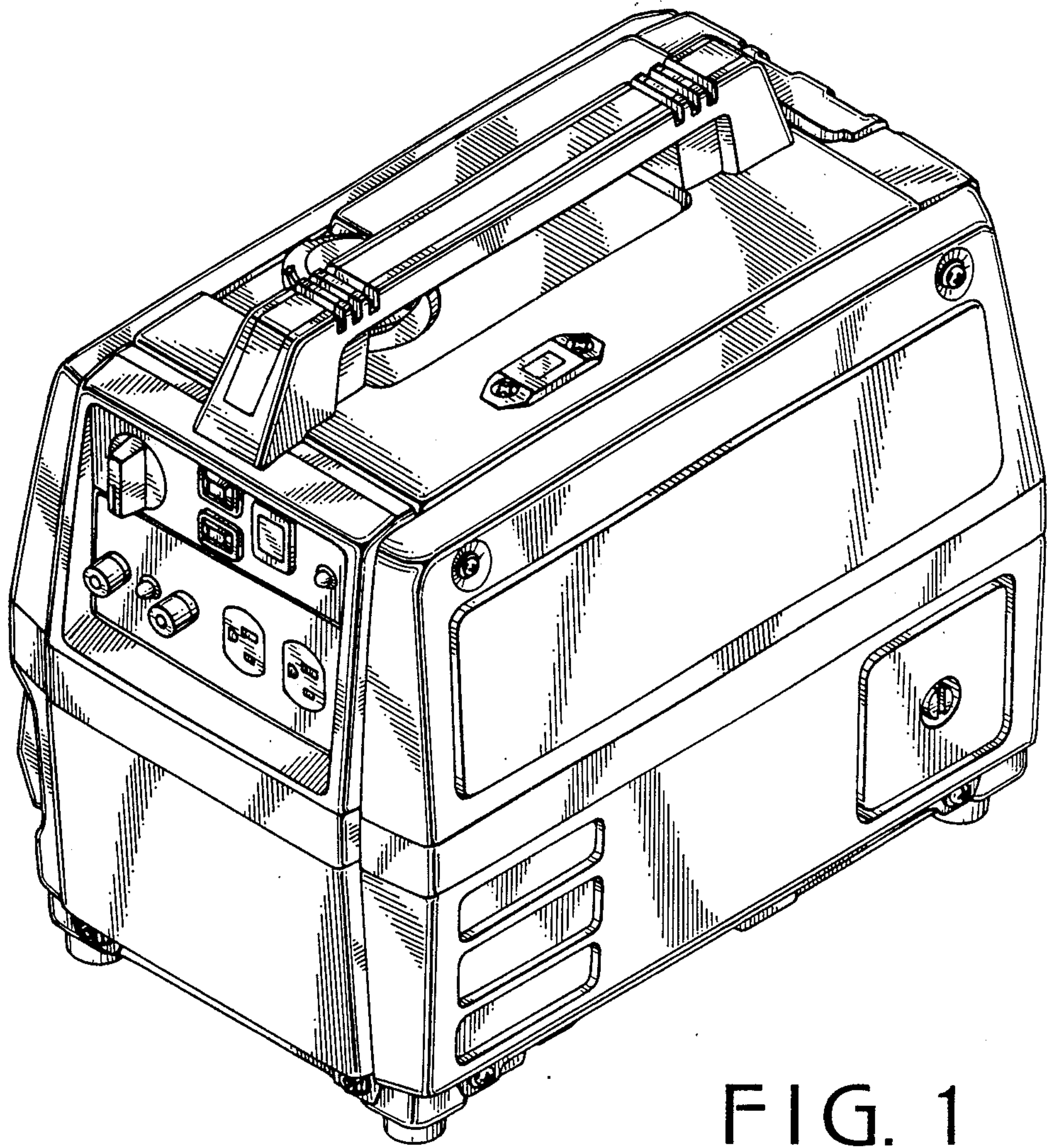


FIG. 1

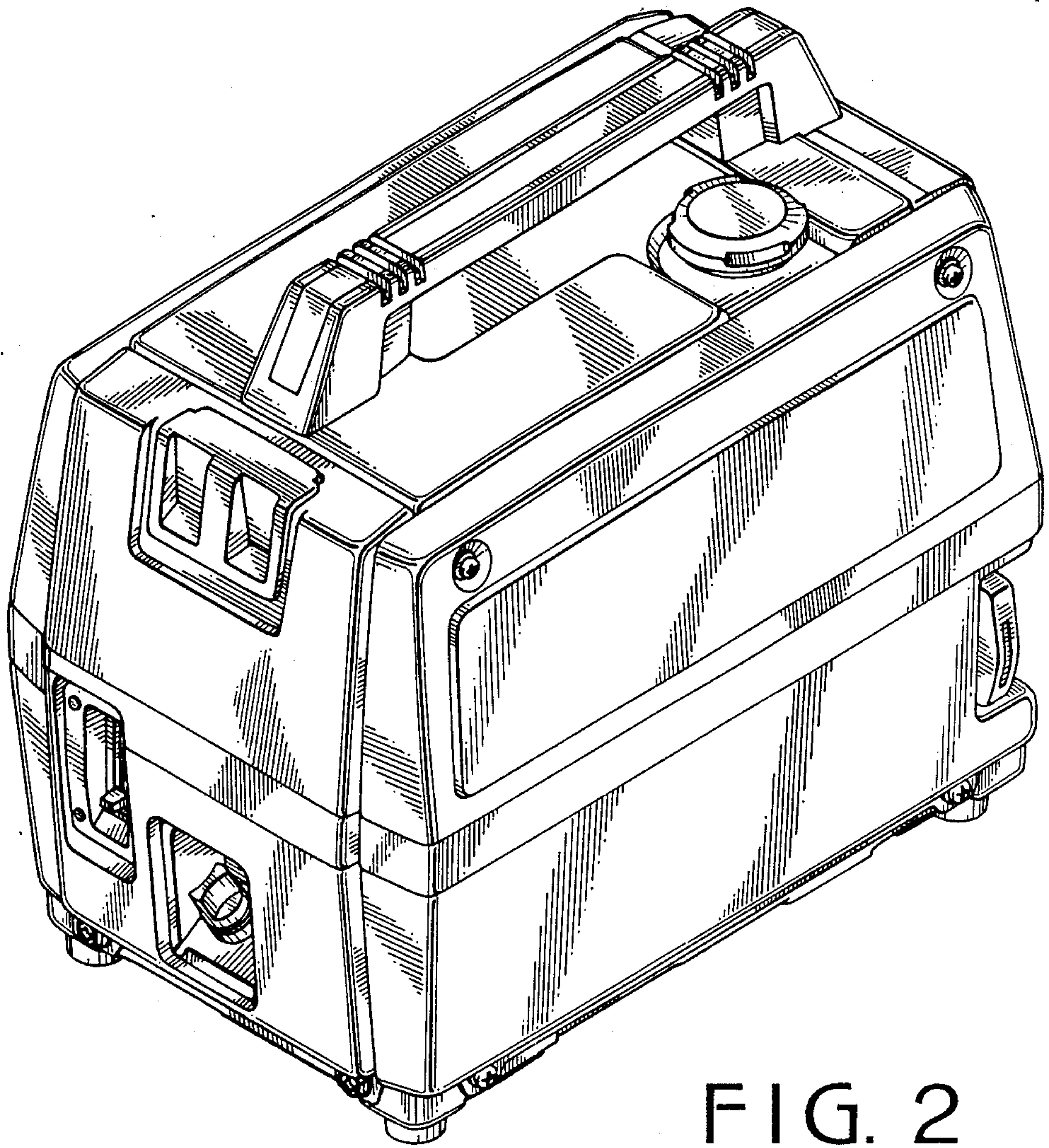


FIG. 2

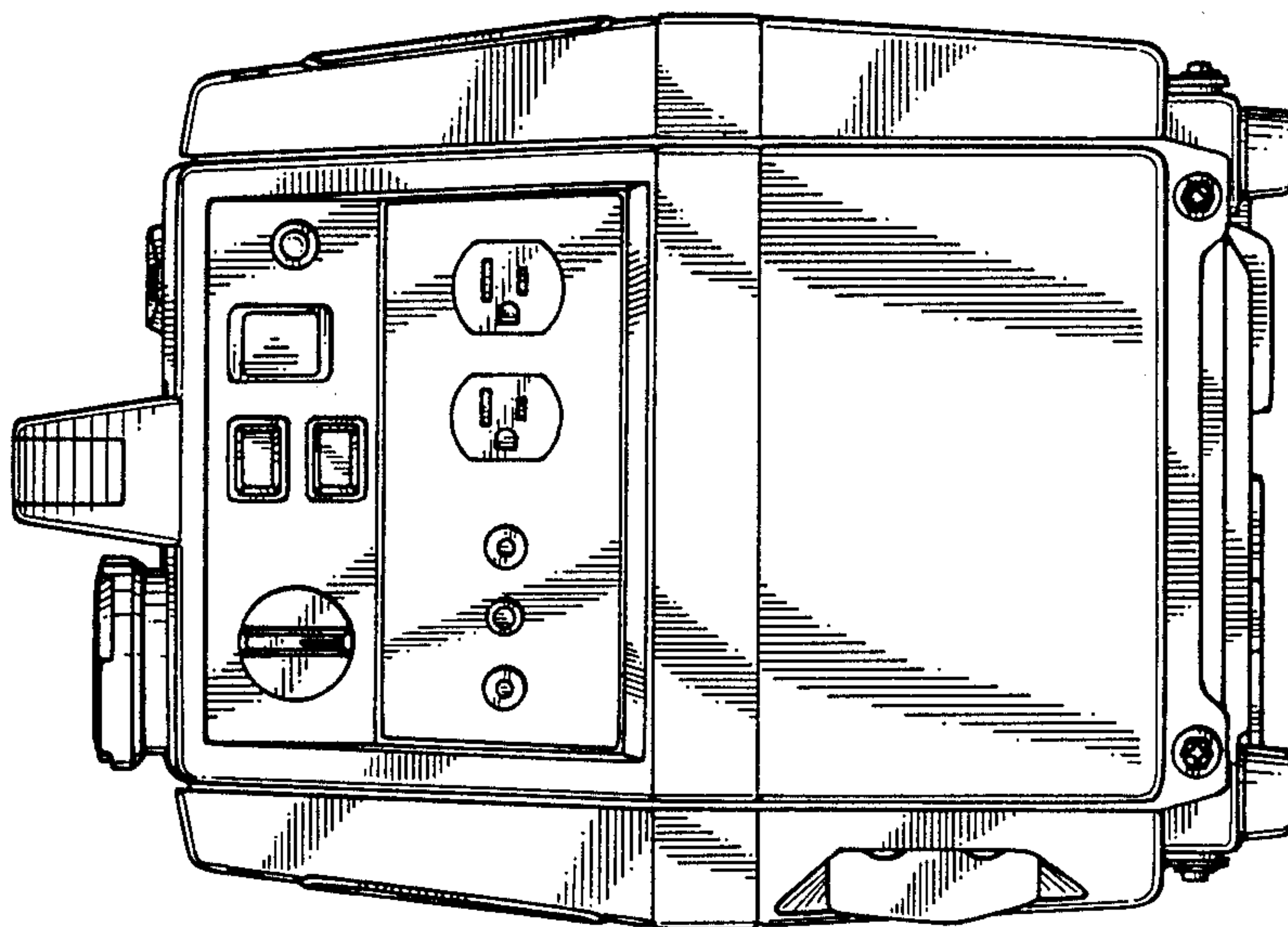


FIG. 3

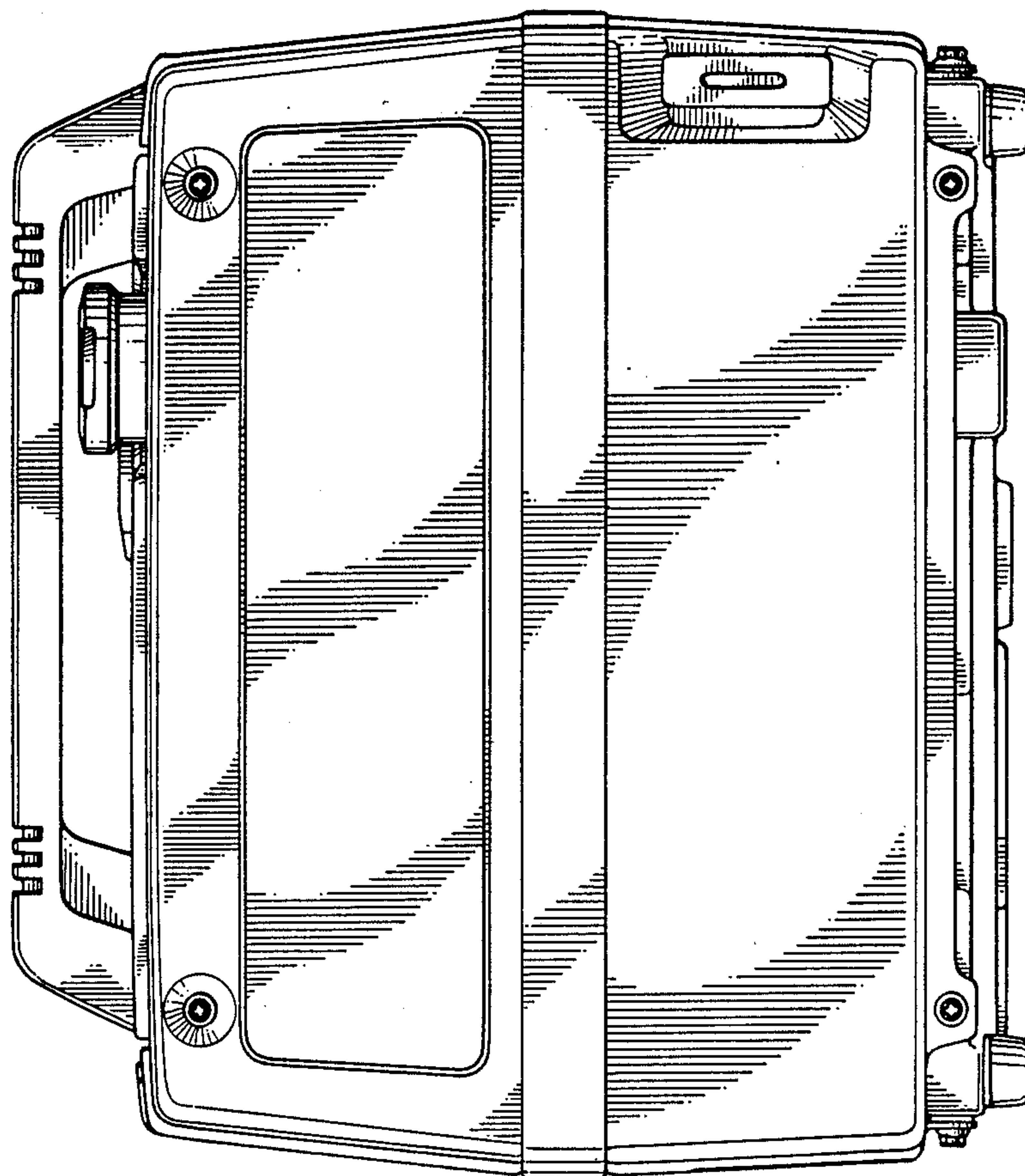


FIG. 6

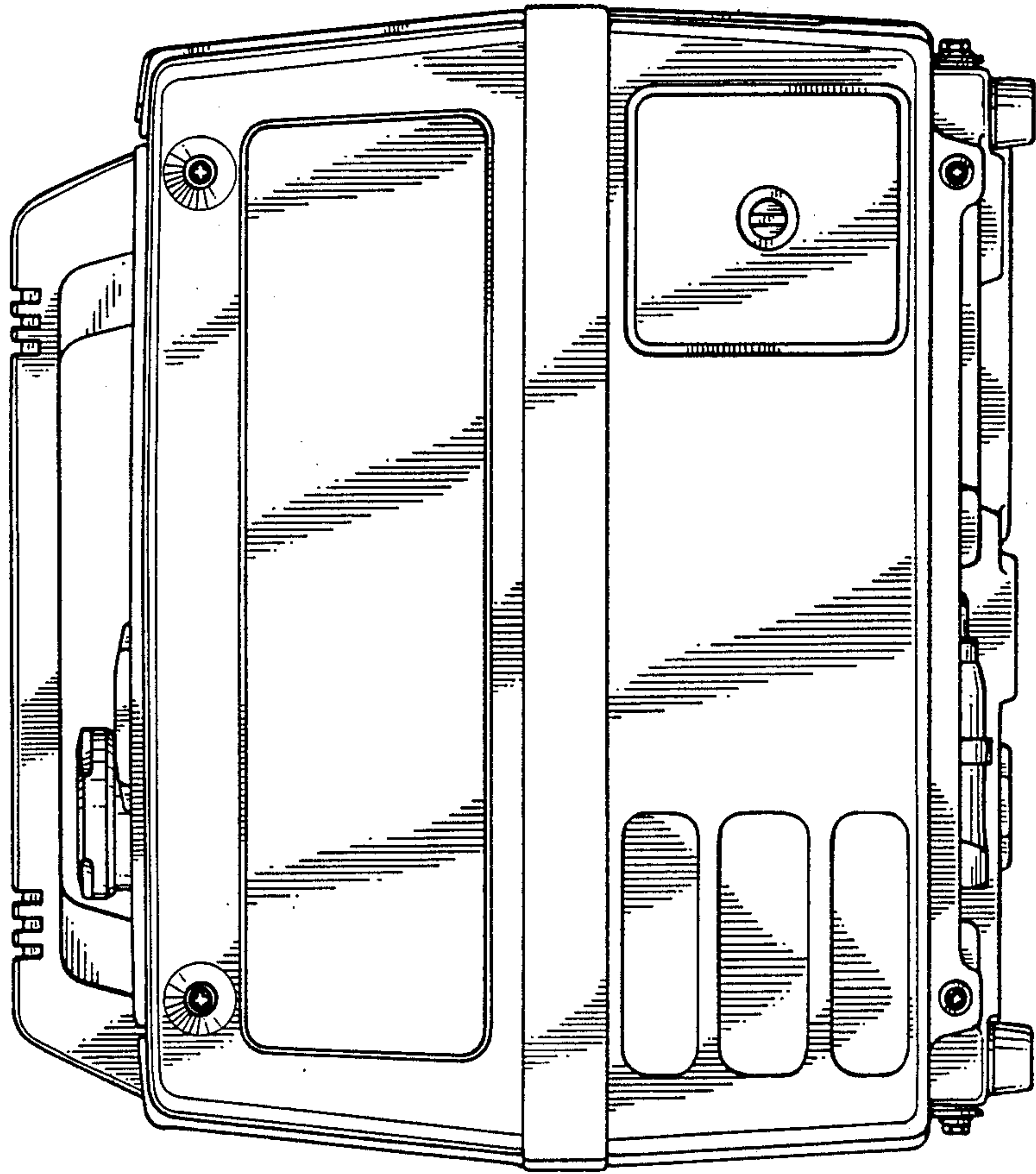


FIG. 5

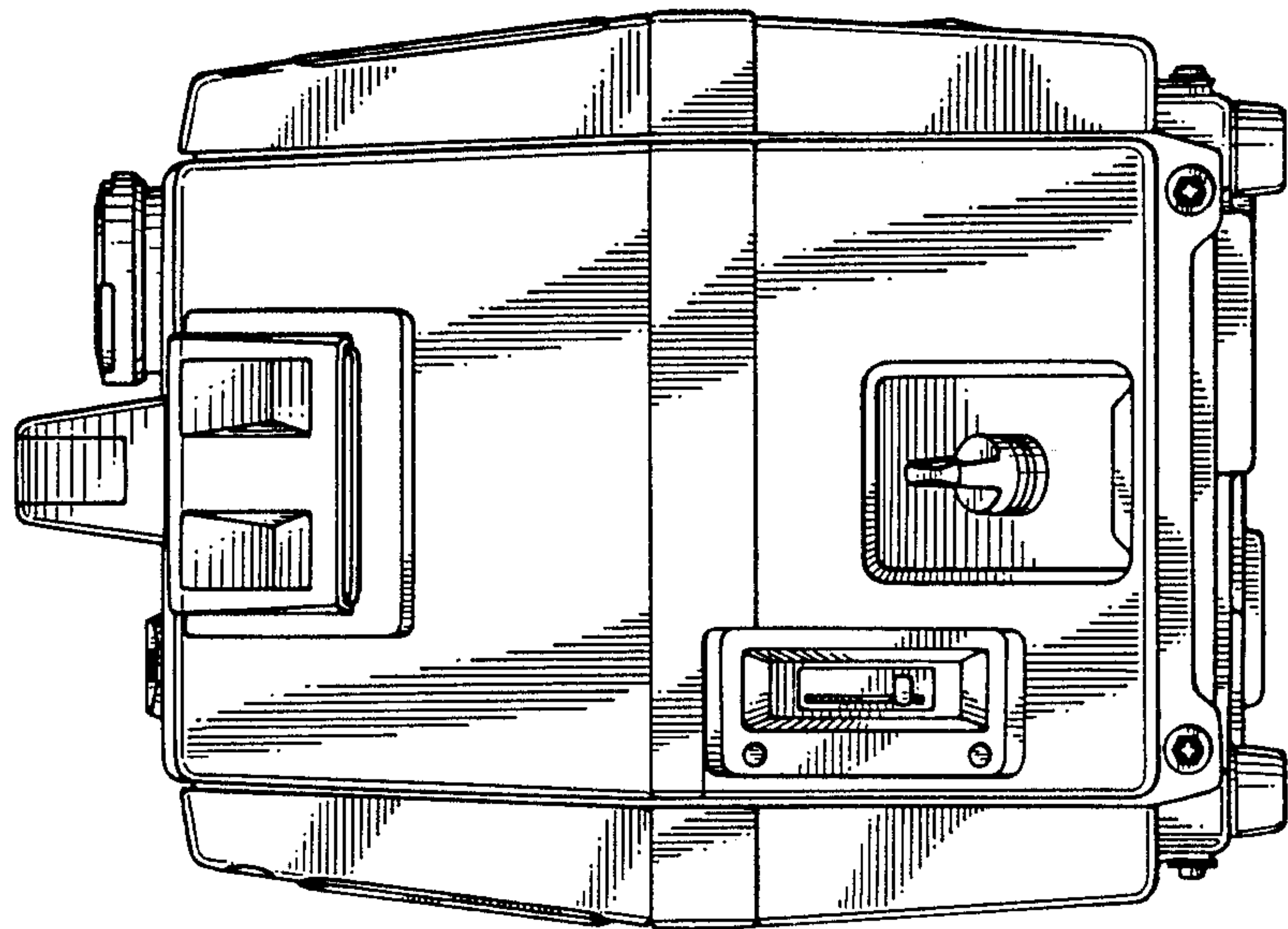


FIG. 4

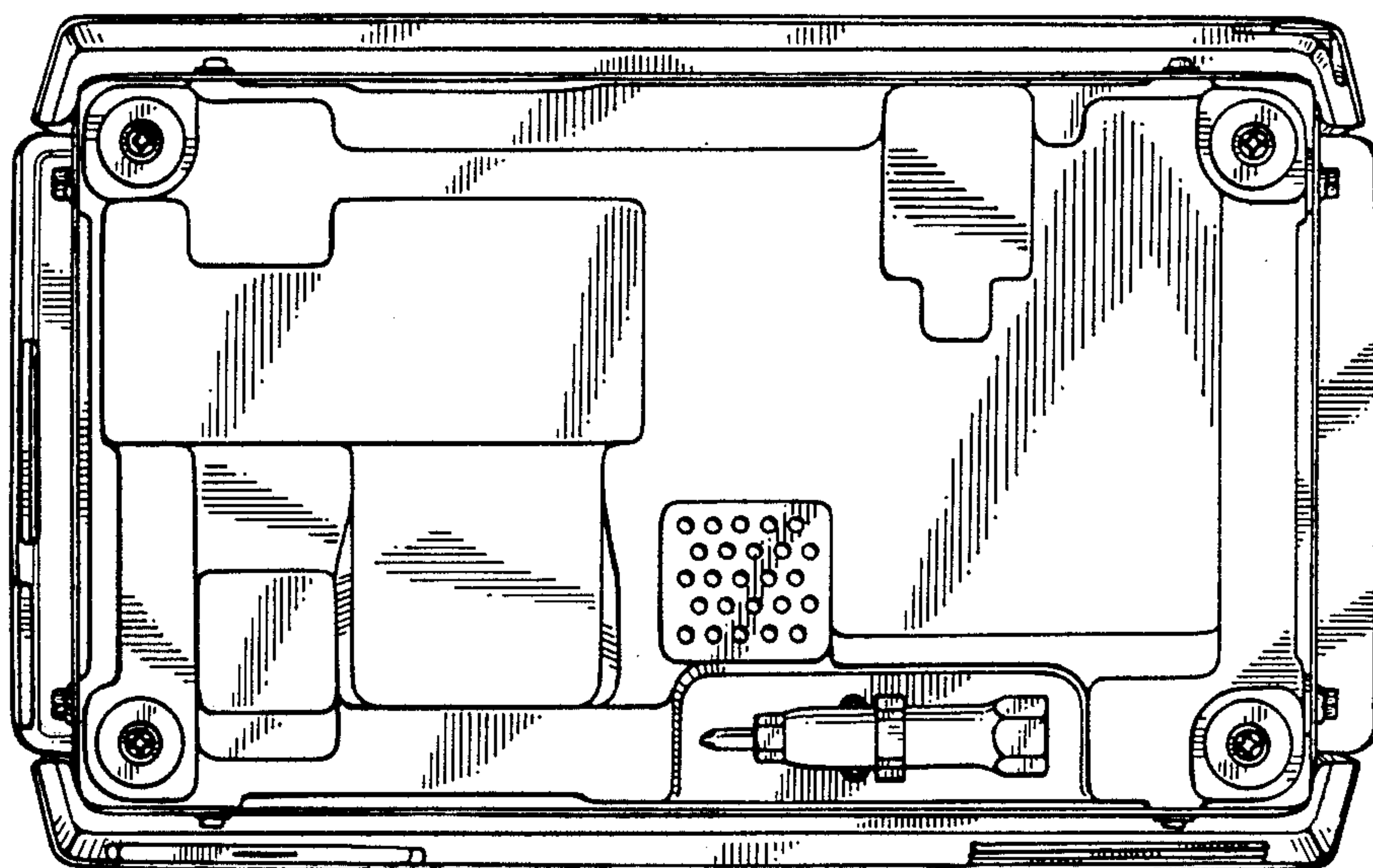


FIG. 8

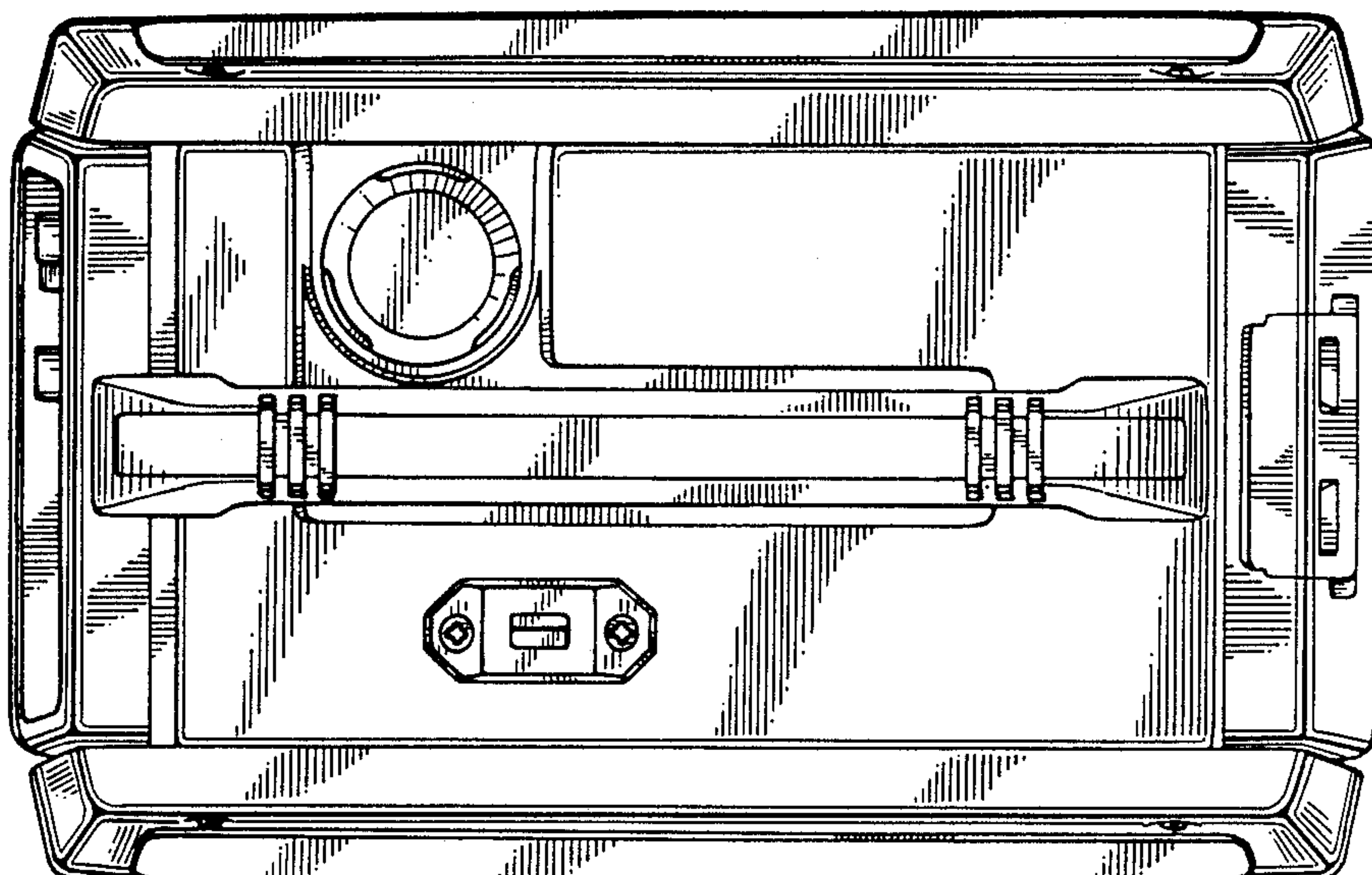


FIG. 7