

United States Patent [19]

Formoso

[11] Patent Number: **Des. 310,342**

[45] Date of Patent: **** Sep. 4, 1990**

[54] TOW TRACTOR

[75] Inventor: **Joaquin F. Formoso, Madrid, Spain**

[73] Assignee: **FMC Corporation, Chicago, Ill.**

[**] Term: **14 Years**

[21] Appl. No.: **59,684**

[22] Filed: **Jun. 8, 1987**

[52] U.S. Cl. **D12/14**

[58] Field of Search **D12/14; 280/402, 408; 180/89.1, 89.12, 904**

[56] **References Cited**

U.S. PATENT DOCUMENTS

D. 172,907 8/1954 Schafler D12/14
D. 282,153 1/1986 Wallace et al. D12/14

3,064,746 11/1962 Williamson 180/89.1
3,698,759 10/1972 Luft 180/89.1

Primary Examiner—James M. Gandy
Assistant Examiner—Melody N. Brown
Attorney, Agent, or Firm—Douglas W. Rudy; Richard B. Megley

[57] **CLAIM**

The ornamental design for a tow tractor, as shown and described.

DESCRIPTION

FIG. 1 is a perspective view from above toward the right front of the Tow Tractor;
FIG. 2 is a perspective view of the tow tractor from the left front corner; and
FIG. 3 is a perspective view of the tow tractor from the right rear.

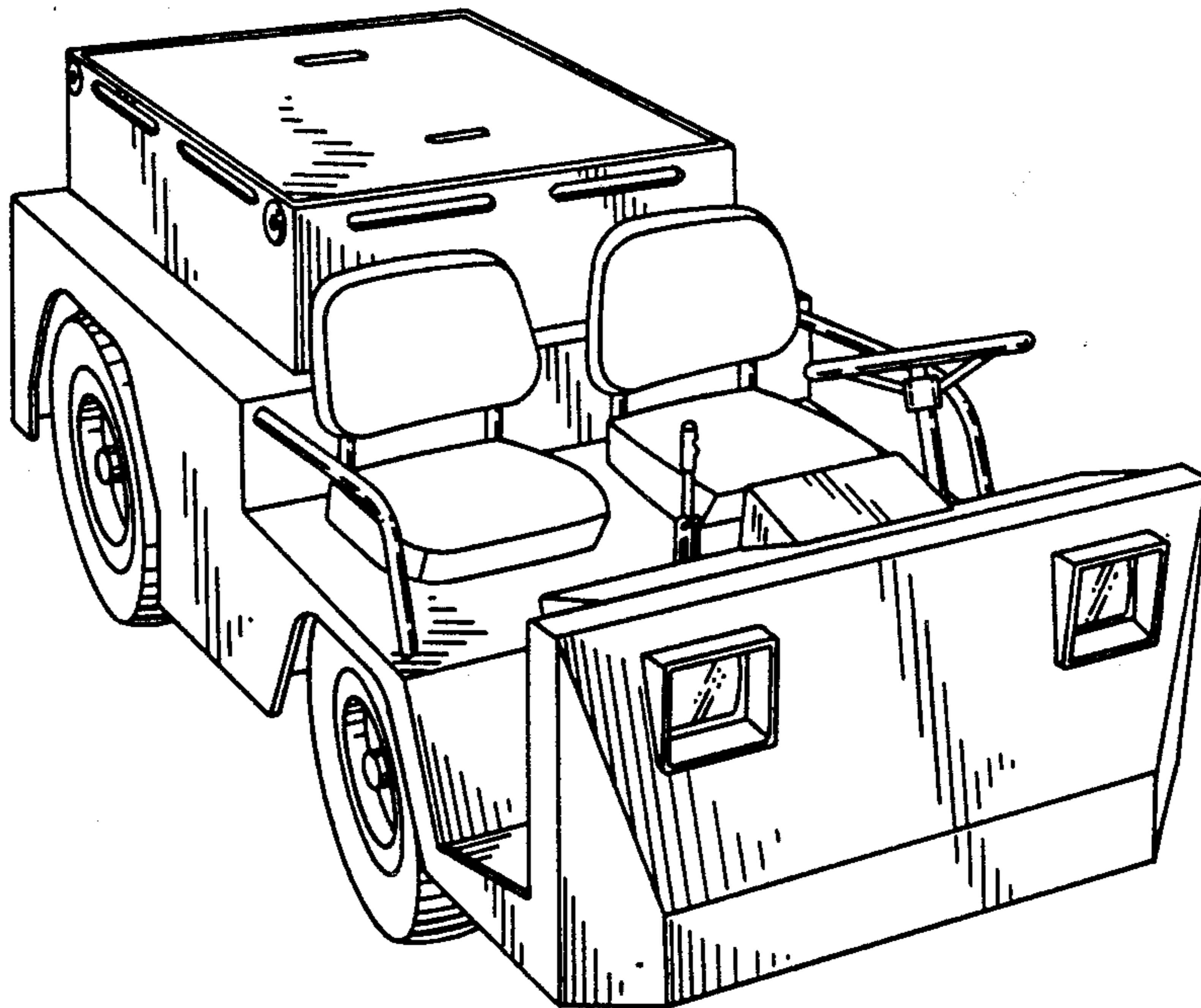


FIG. 1

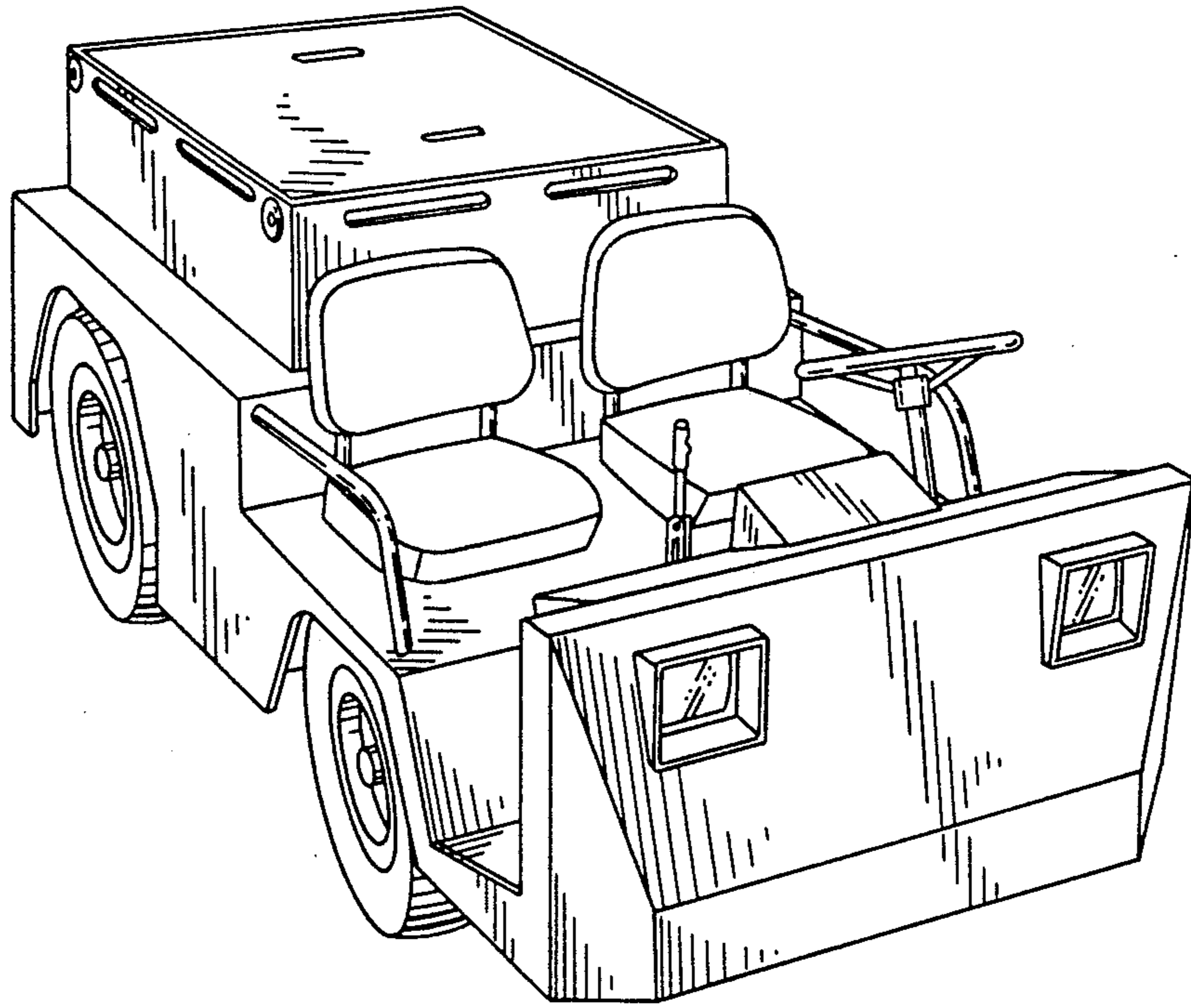
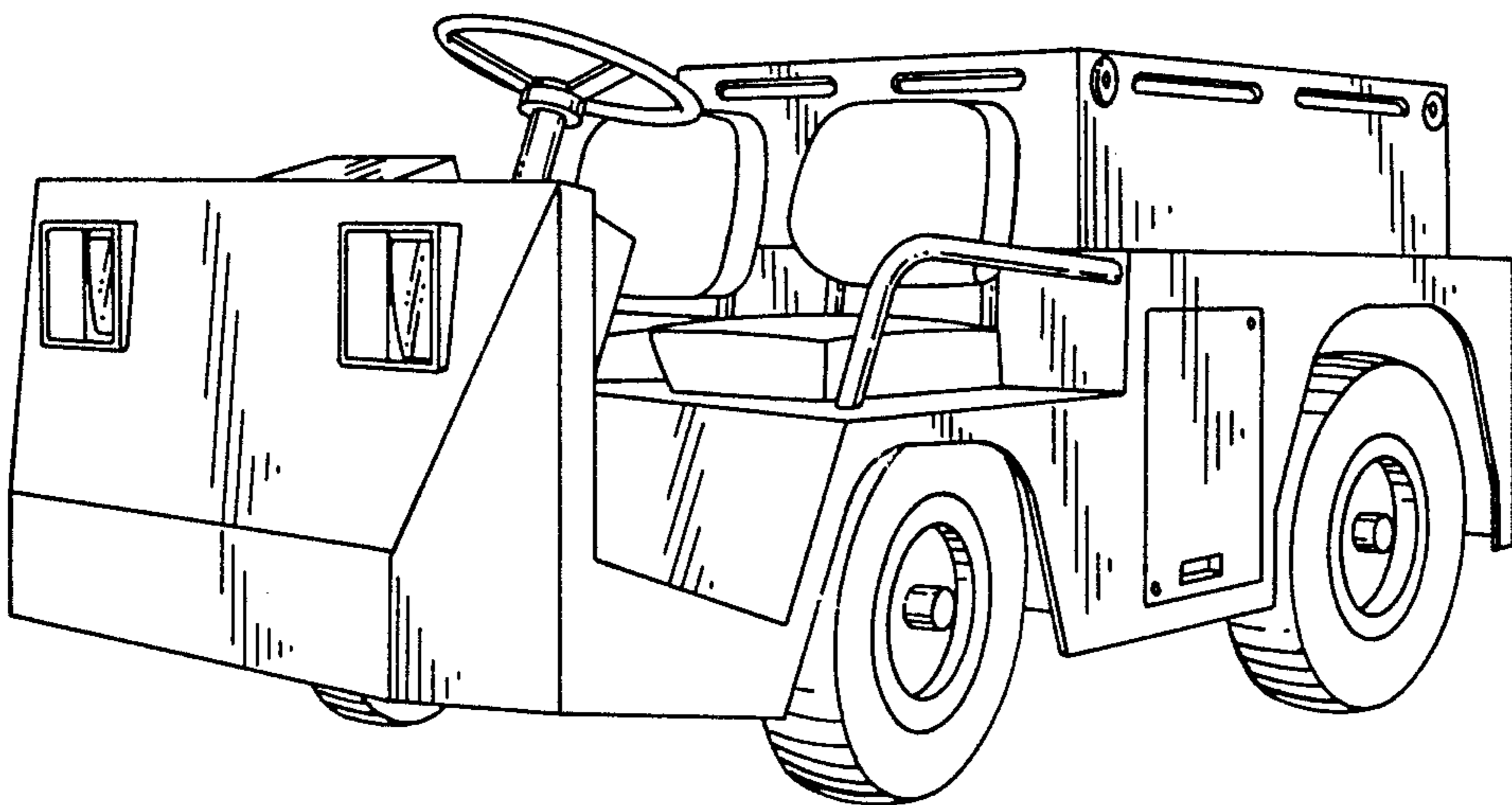


FIG. 2



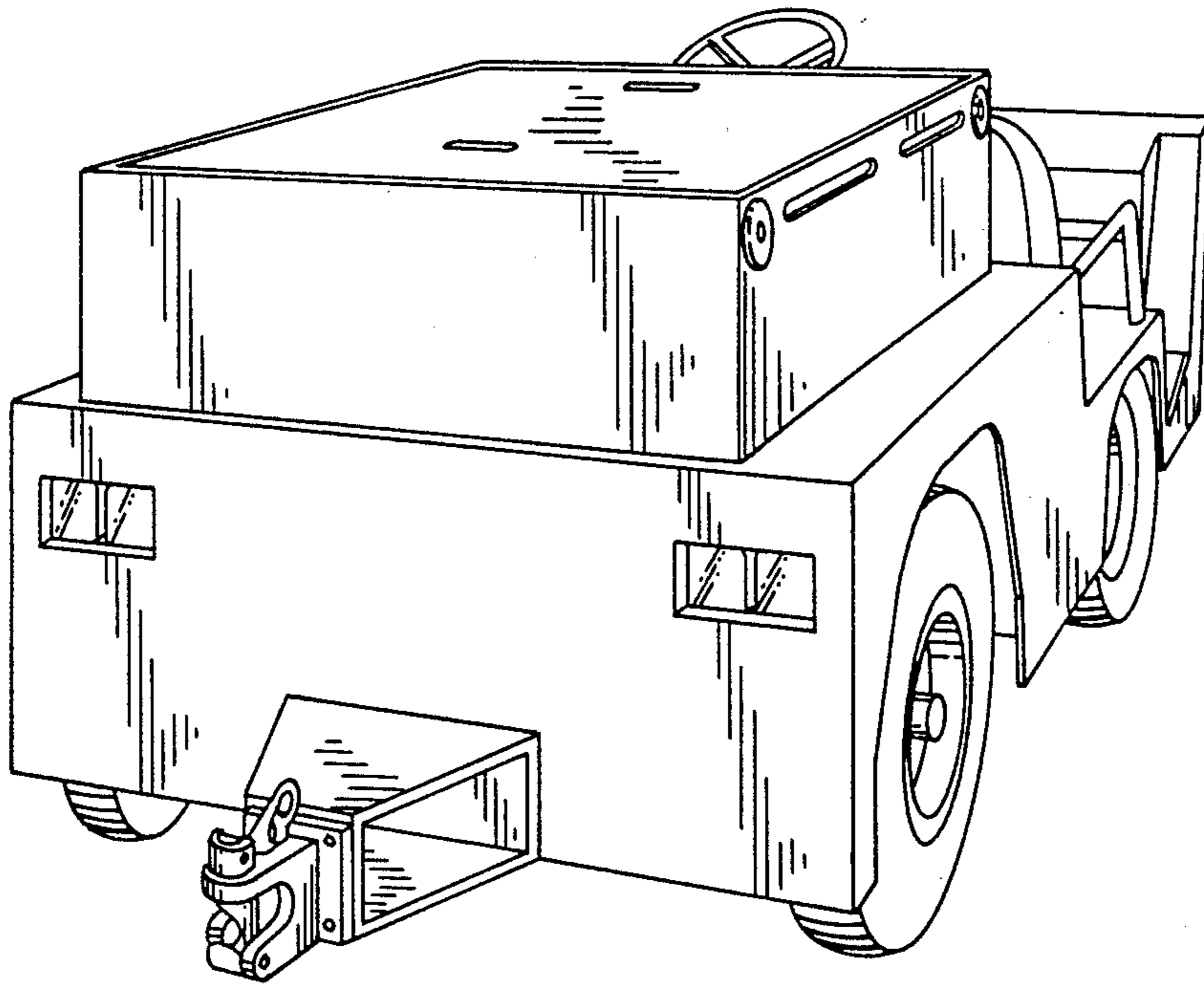


FIG. 3