

United States Patent [19]

Tofte et al.

[11] Patent Number: **Des. 310,339**

[45] Date of Patent: **** Sep. 4, 1990**

[54] **POINT LOCATION DEVICE**

[75] Inventors: **S. David Tofte, Mankato; Jeffry M. Irish, Nicolet, both of Minn.**

[73] Assignee: **Micro-Trak Systems, Inc., Mankato, Minn.**

[**] Term: **14 Years**

[21] Appl. No.: **179,140**

[22] Filed: **Apr. 8, 1988**

[52] U.S. Cl. **D10/46**

[58] Field of Search **D10/46; 324/228; 248/DIG. 4**

[56] **References Cited**

U.S. PATENT DOCUMENTS

D. 235,317	6/1975	Covey	D10/46
2,933,679	4/1960	Bray	324/226
3,363,208	1/1968	Balet	324/228 X

3,845,384	10/1974	Stoutenberg et al.	324/228
4,310,797	1/1982	Butler	324/228

Primary Examiner—Nelson C. Holtje
Assistant Examiner—Antoine D. Davis
Attorney, Agent, or Firm—Merchant, Gould, Smith, Edell, Welter and Schmidt

[57] **CLAIM**

The ornamental design for a point location device, substantially as shown herein.

DESCRIPTION

FIG. 1 is a top, front and left side perspective view of a point location device showing our new design; FIG. 2 is a front, bottom and left side perspective view; FIG. 3 is a top plan view; FIG. 4 is a bottom plan view; FIG. 5 is a front elevational view, the rear being identical; and FIG. 6 is a left side elevational view, the right side being identical thereto.

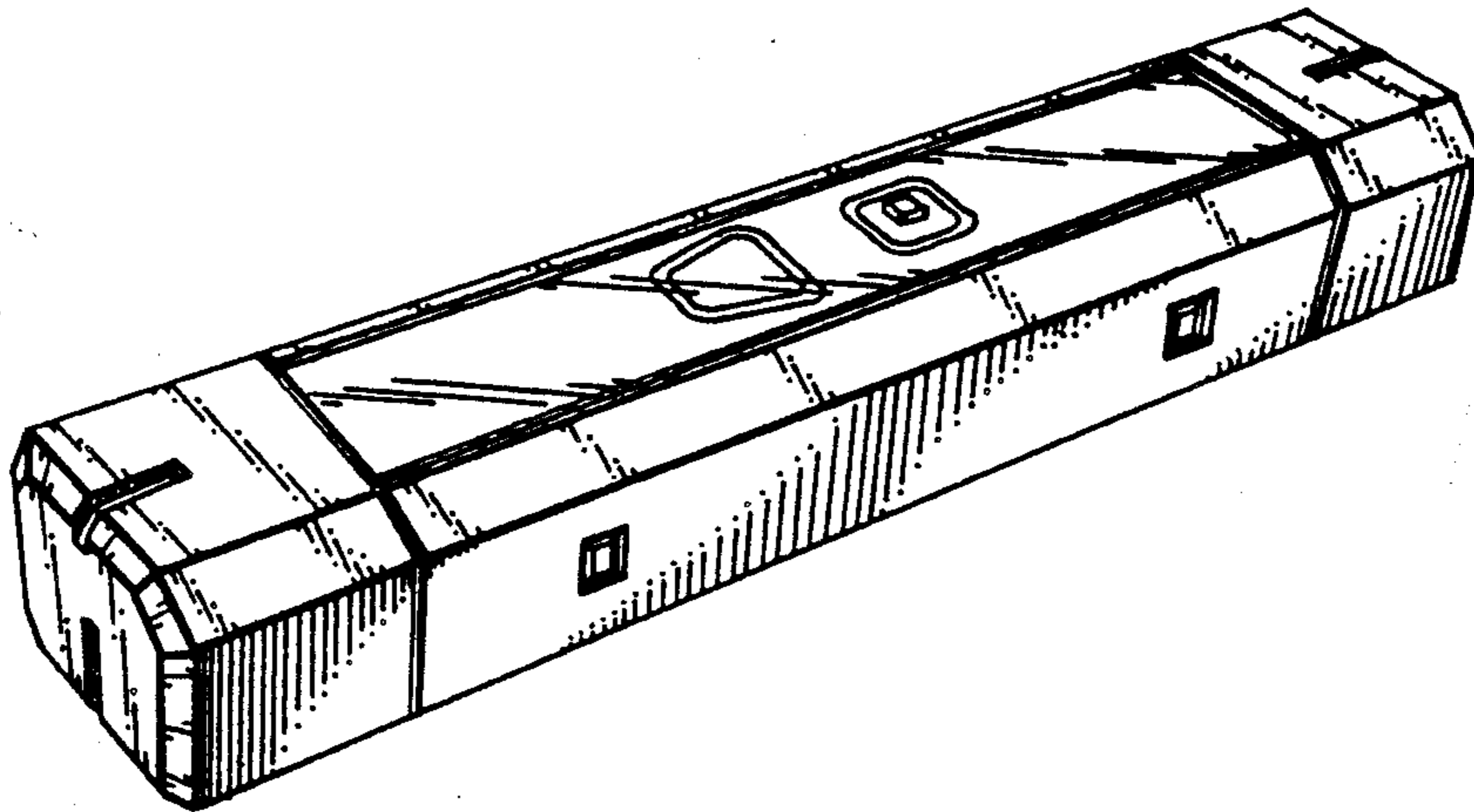


FIG. 1

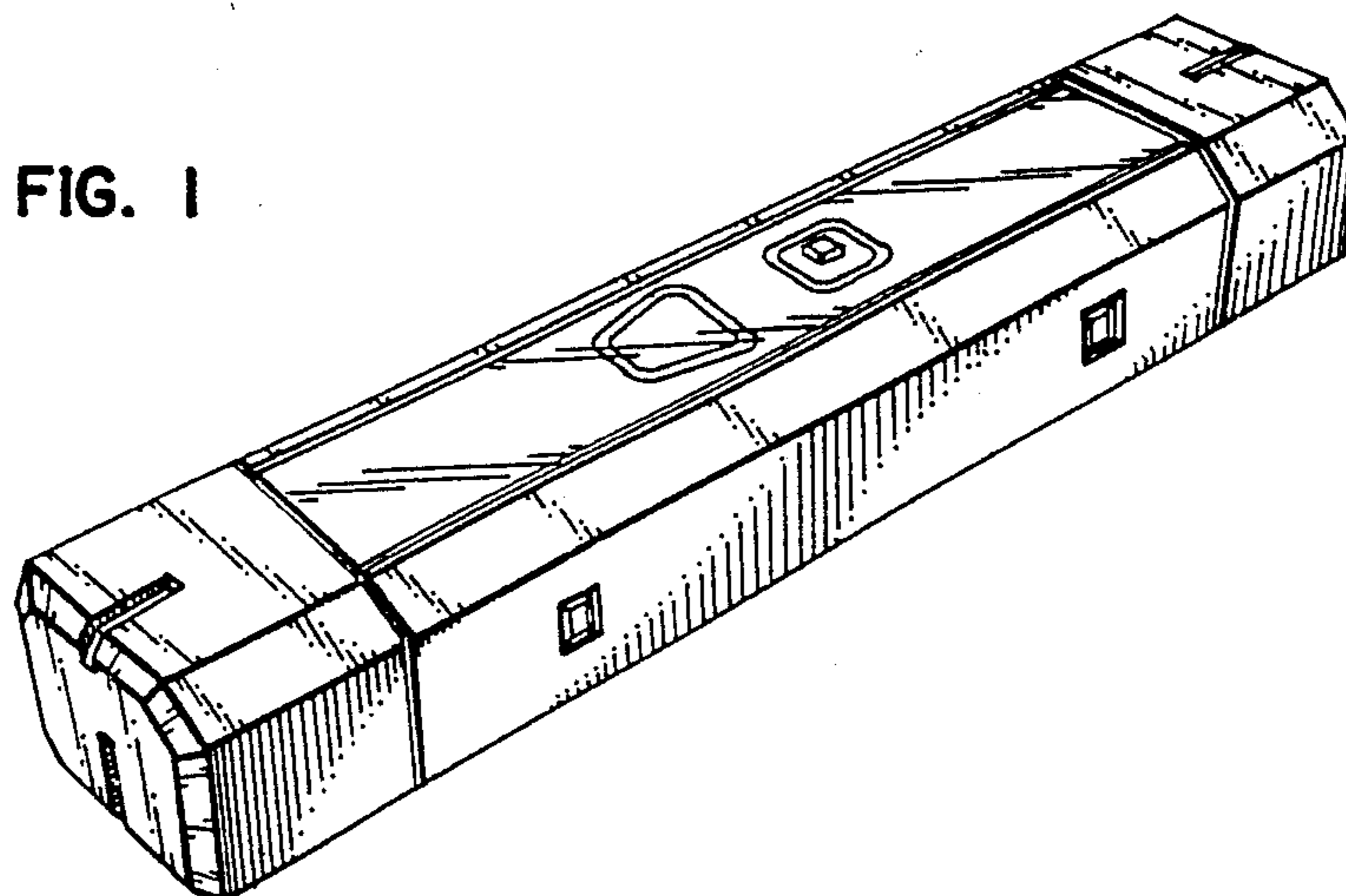


FIG. 2

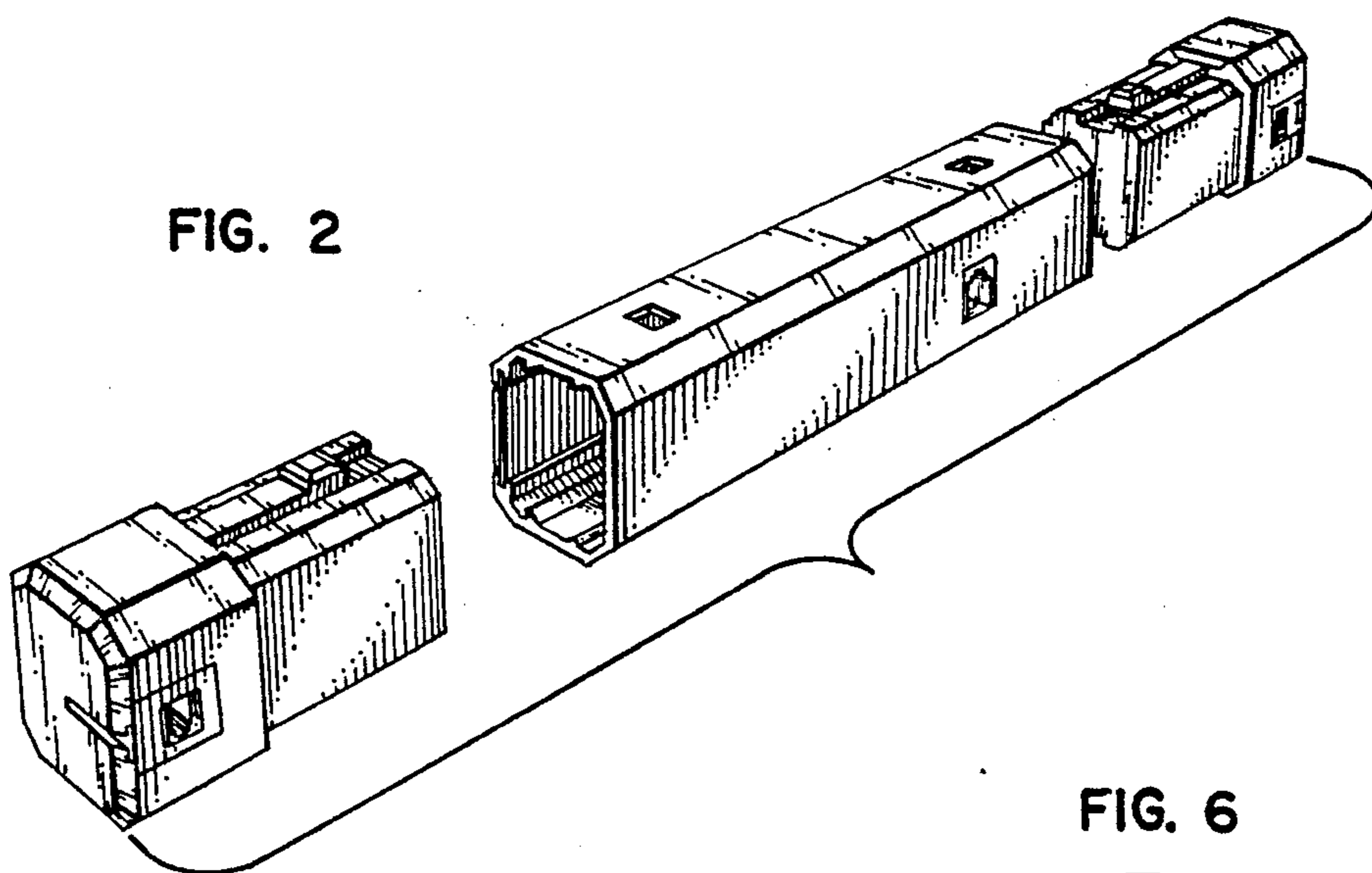


FIG. 6

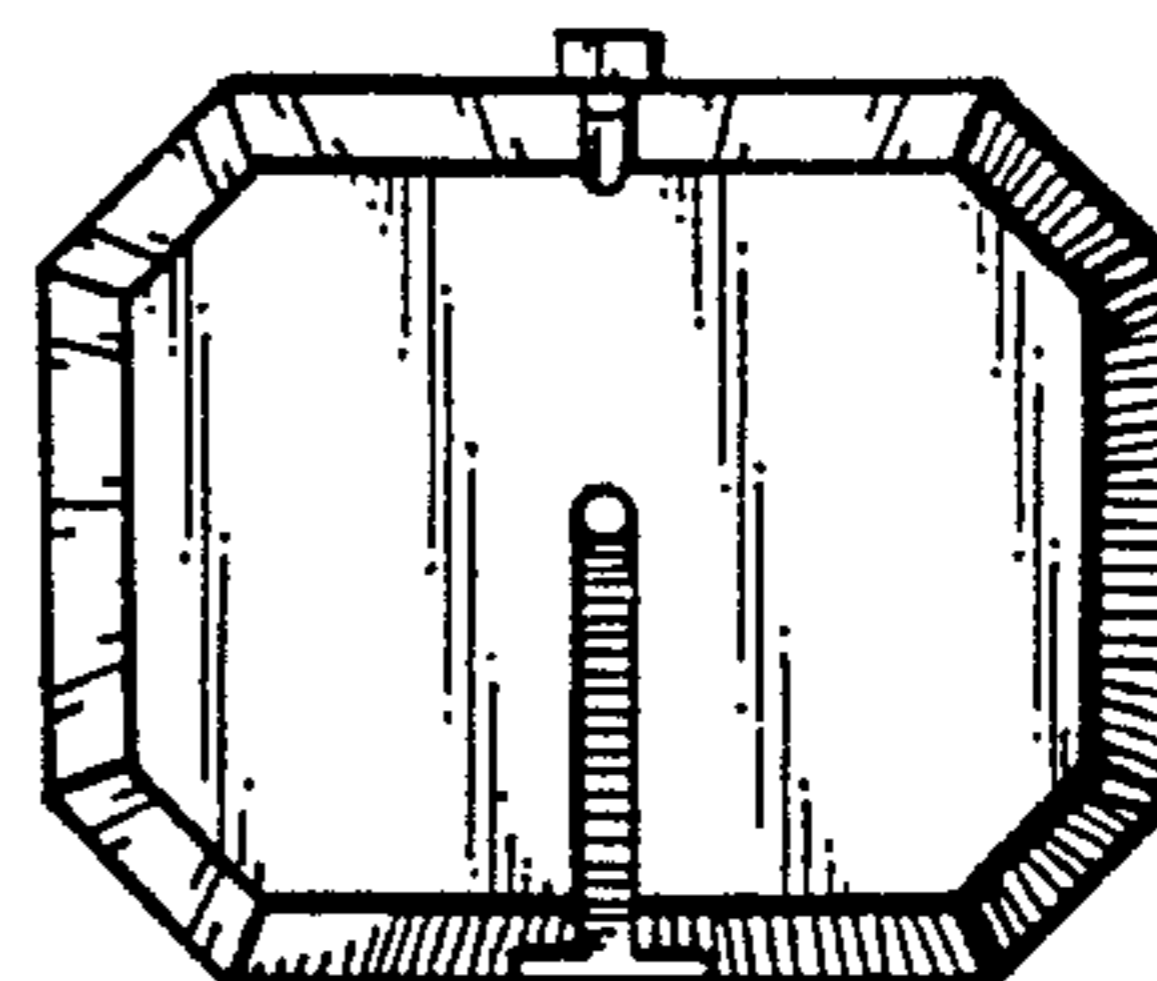


FIG. 3

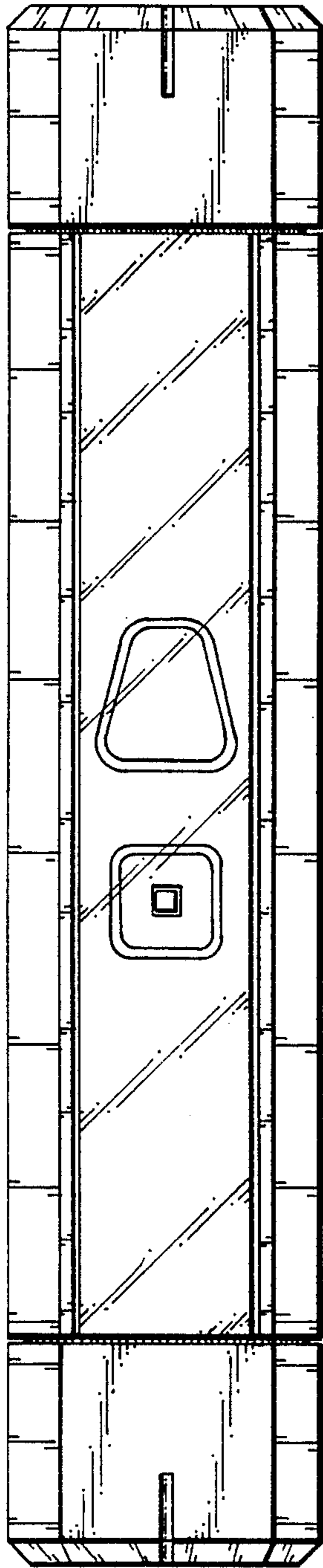


FIG. 4

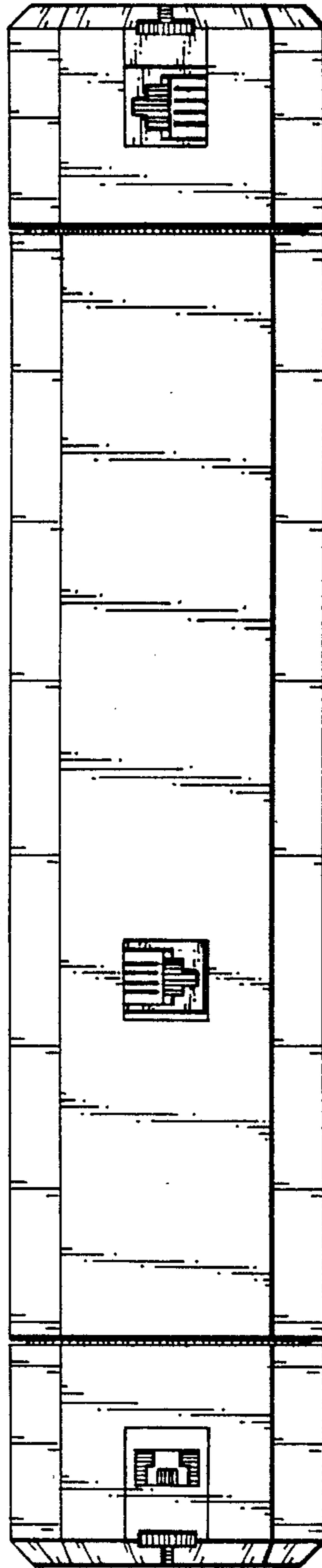


FIG. 5

