

[54] COMBINED CONTAINER AND DRINKING STRAW

[76] Inventor: Edgar O. Carlsen, 5681 Bayshore Rd. N., Ft. Myers, Fla. 33917

[**] Term: 14 Years

[21] Appl. No.: 130,331

[22] Filed: Dec. 7, 1987

[52] U.S. Cl. D9/337; D9/368

[58] Field of Search D9/337, 367, 368, 438, D9/352, 378; D7/42; 220/1 BC, 90.2; 215/229

[56] References Cited

U.S. PATENT DOCUMENTS

D. 209,382	11/1967	Nardone	D7/42
D. 214,150	5/1969	Nardone	D7/42
D. 266,991	11/1982	Hasegawa et al.	D9/438
D. 282,442	2/1986	Kohnle	D9/368
D. 296,664	7/1988	Hjalmarsson	D9/337
D. 302,116	7/1989	Cassai et al.	D9/352
D. 303,087	8/1989	Gendion	D9/378
2,094,268	9/1937	Friedman	D7/42
4,036,392	7/1977	Martin	220/90.2

4,043,478	8/1977	Duncan	220/90.2
4,228,913	10/1980	Mack et al.	220/90.2
4,291,814	9/1981	Conn	215/229
4,728,001	3/1988	Serba	220/90.2
4,733,785	3/1988	Turner, Jr. et al.	215/229
4,762,229	8/1988	Wickie	220/1 BC

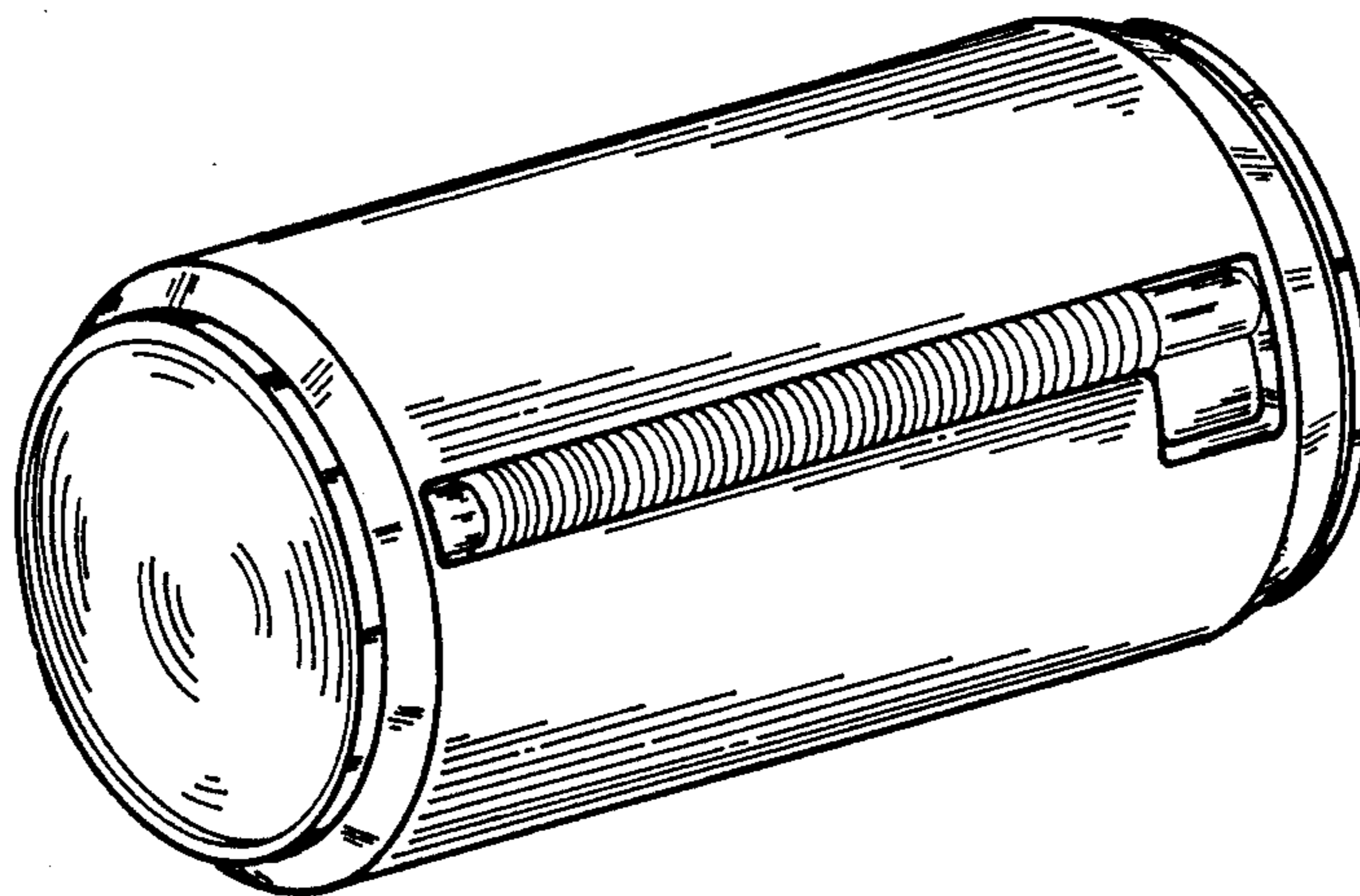
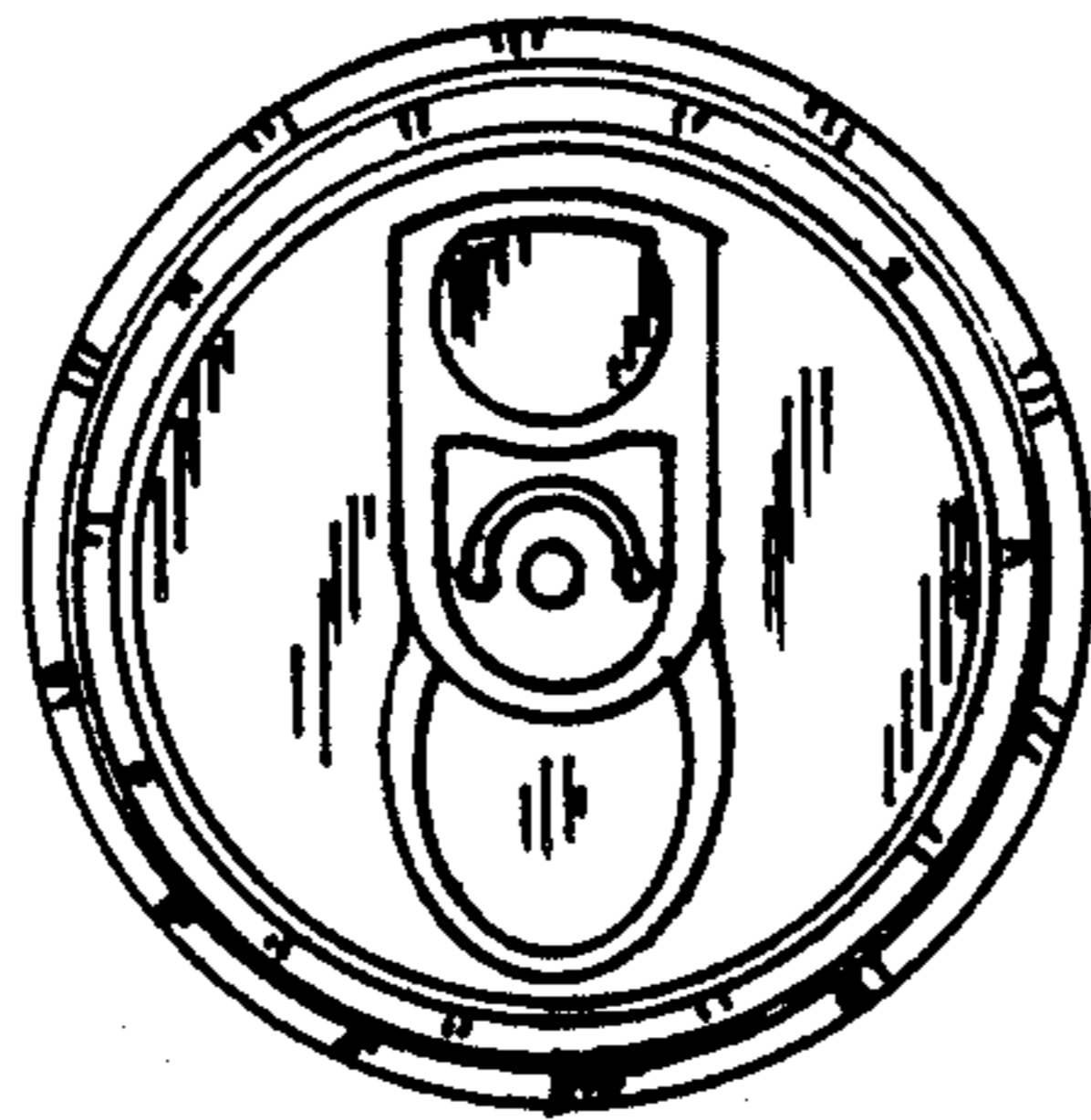
Primary Examiner—B. J. Bullock
Assistant Examiner—Dominic Simone
Attorney, Agent, or Firm—Mason, Joseph C.; Ronald E. Smith

[57] CLAIM

The ornamental design for a combined container and drinking straw, as shown and described.

DESCRIPTION

FIG. 1 is a front view of a combined container and drinking straw showing my new design;
FIG. 2 is a top view thereof;
FIG. 3 is a bottom view thereof;
FIG. 4 is a rear view thereof;
FIG. 5 is a right side view thereof, the left side being a mirror image;
FIG. 6 is an enlarged bottom perspective view thereof.



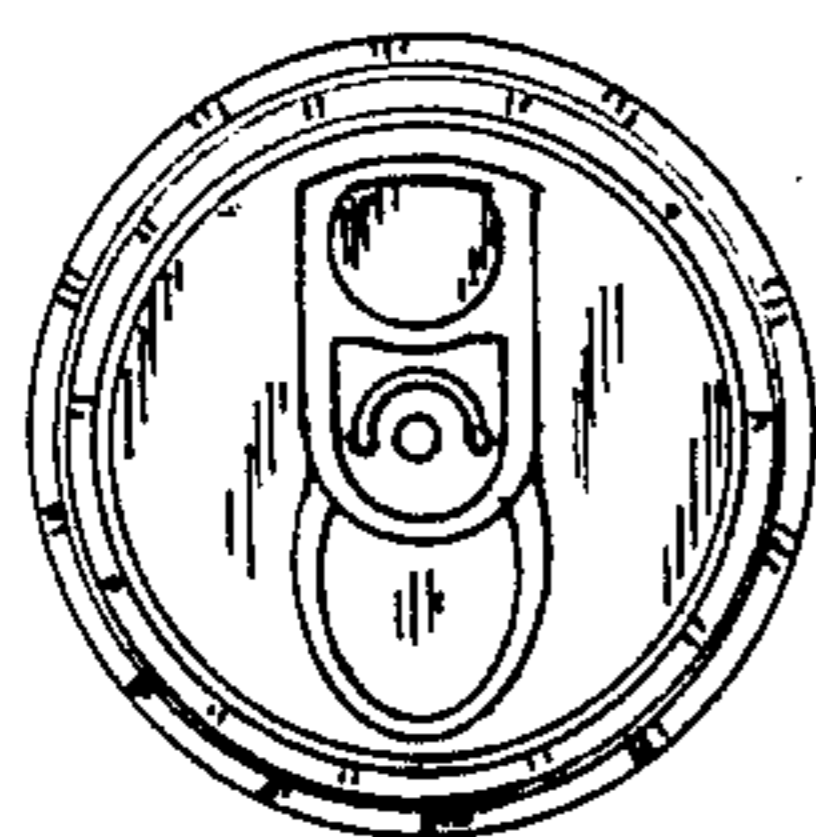


FIG. 2

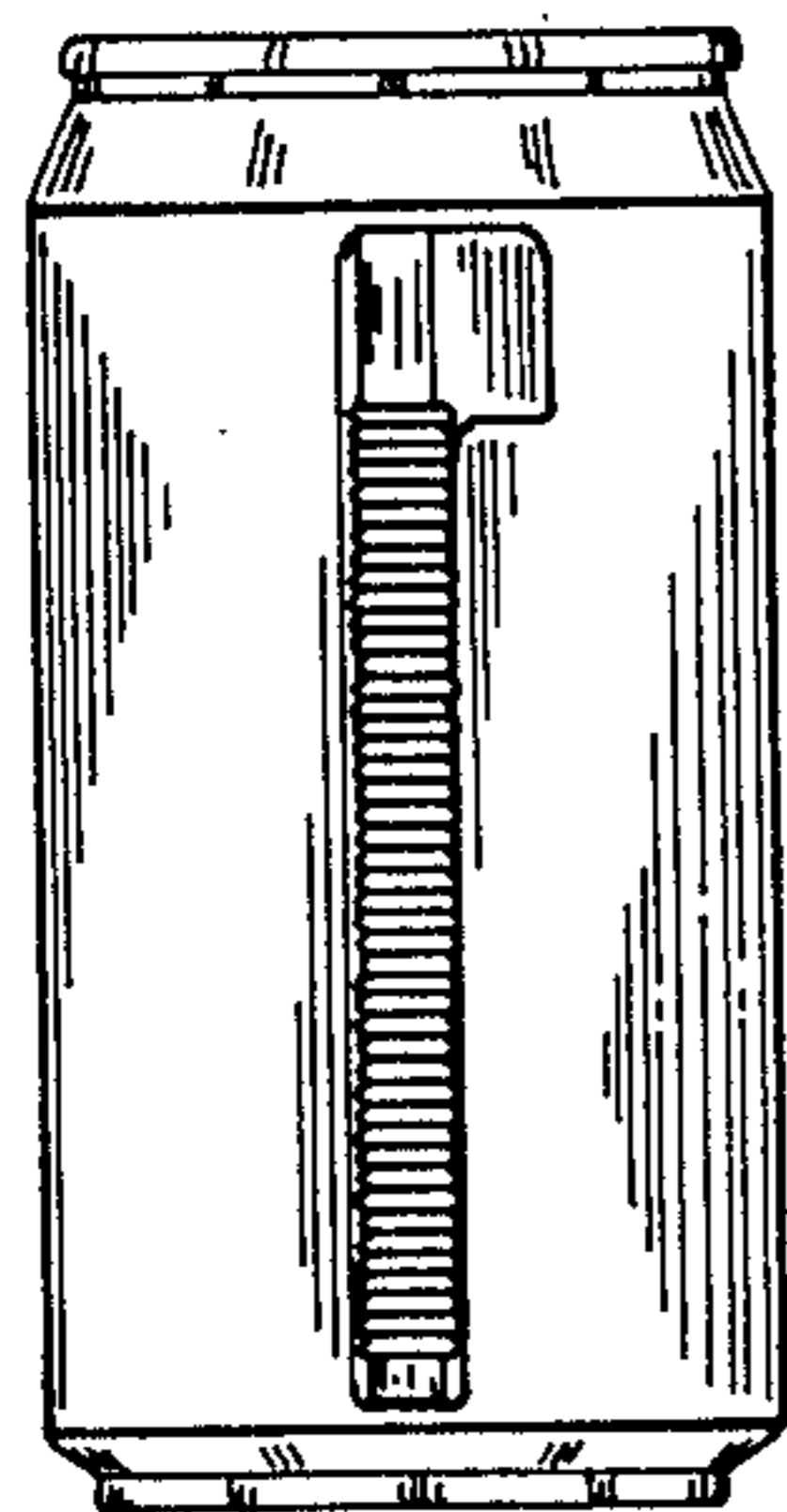


FIG. 1

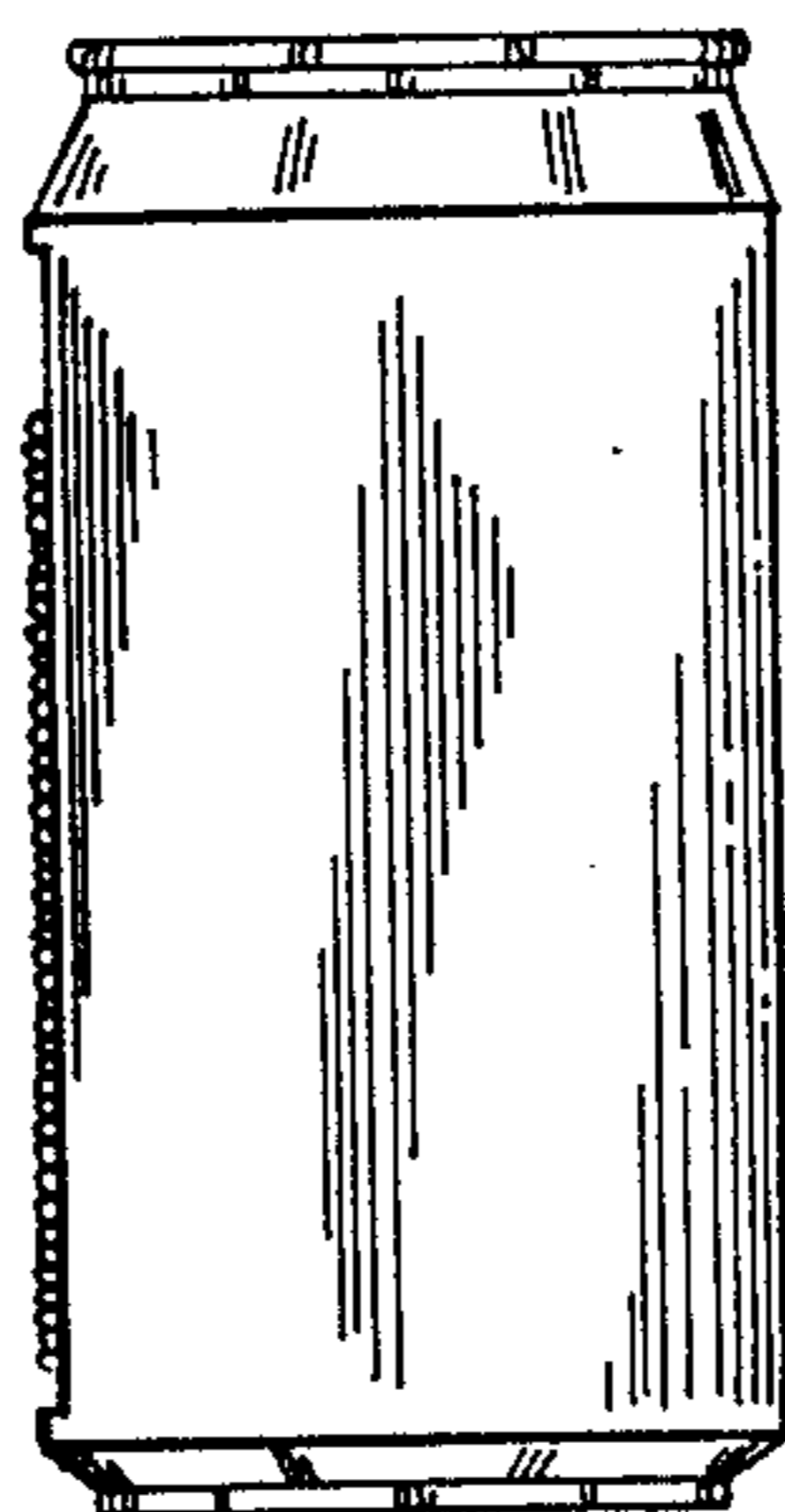


FIG. 5

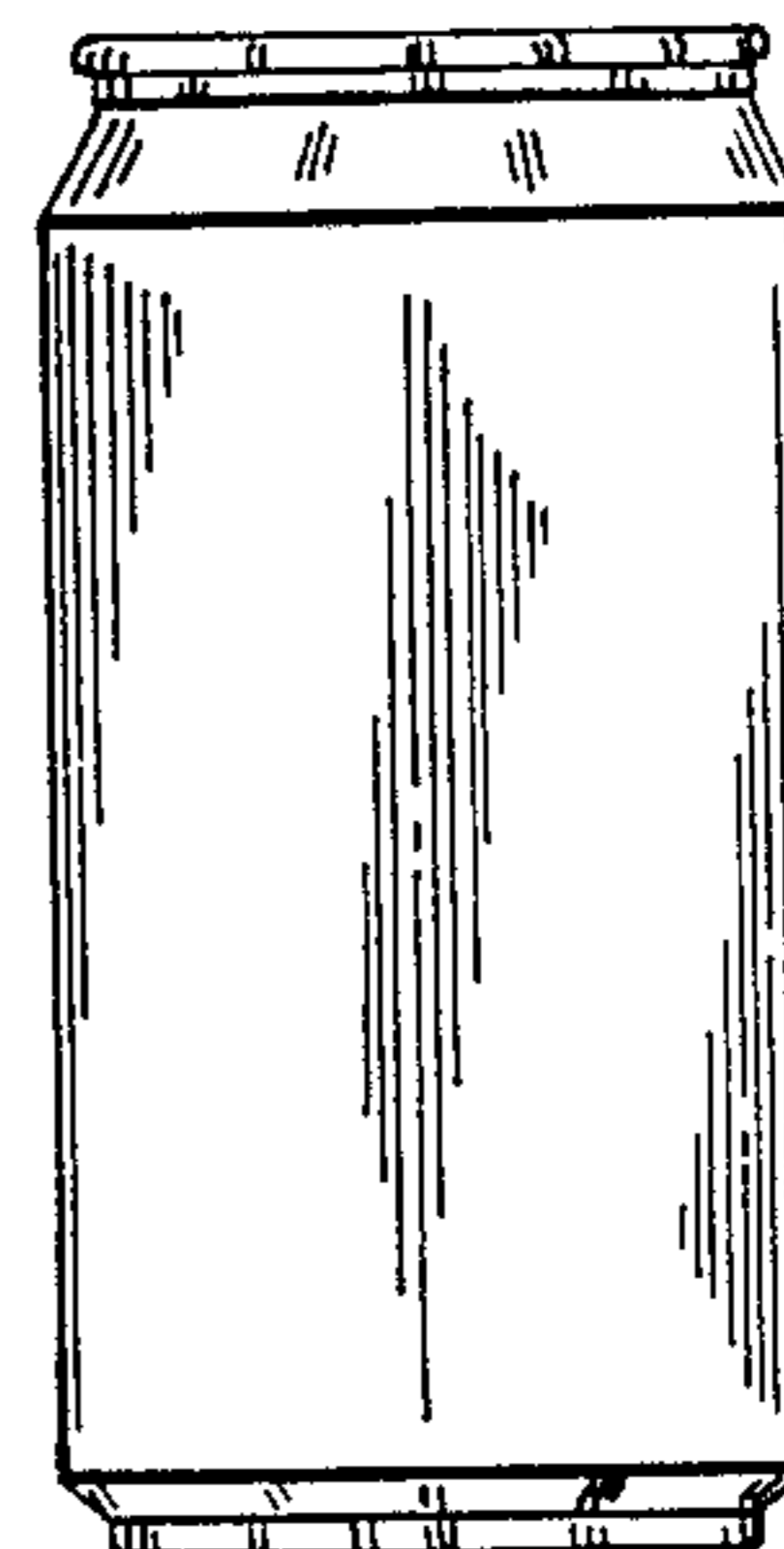


FIG. 4

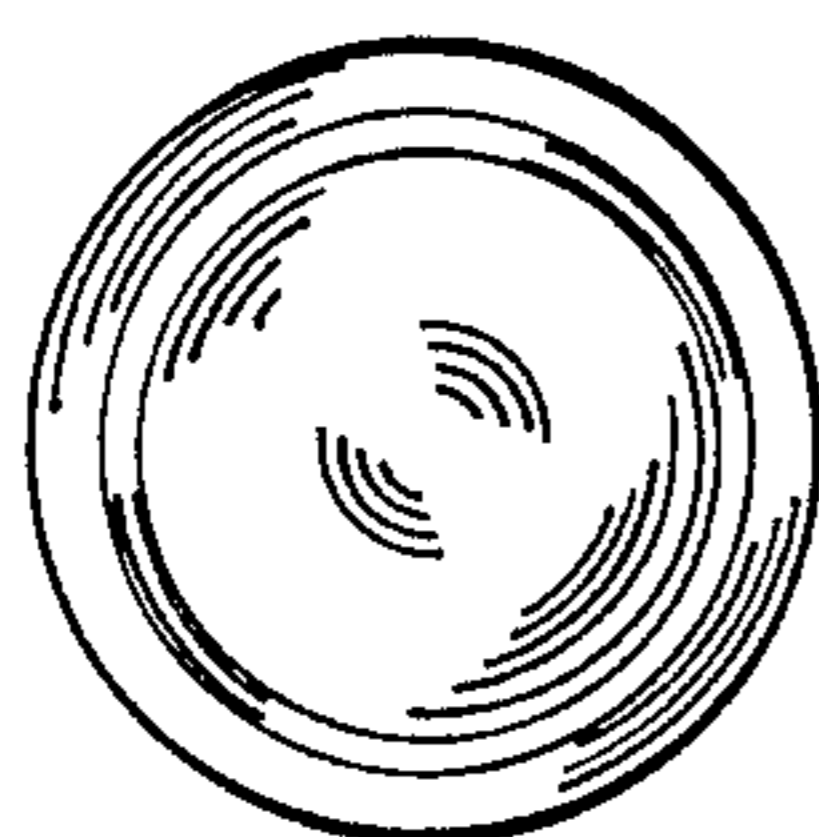


FIG. 3

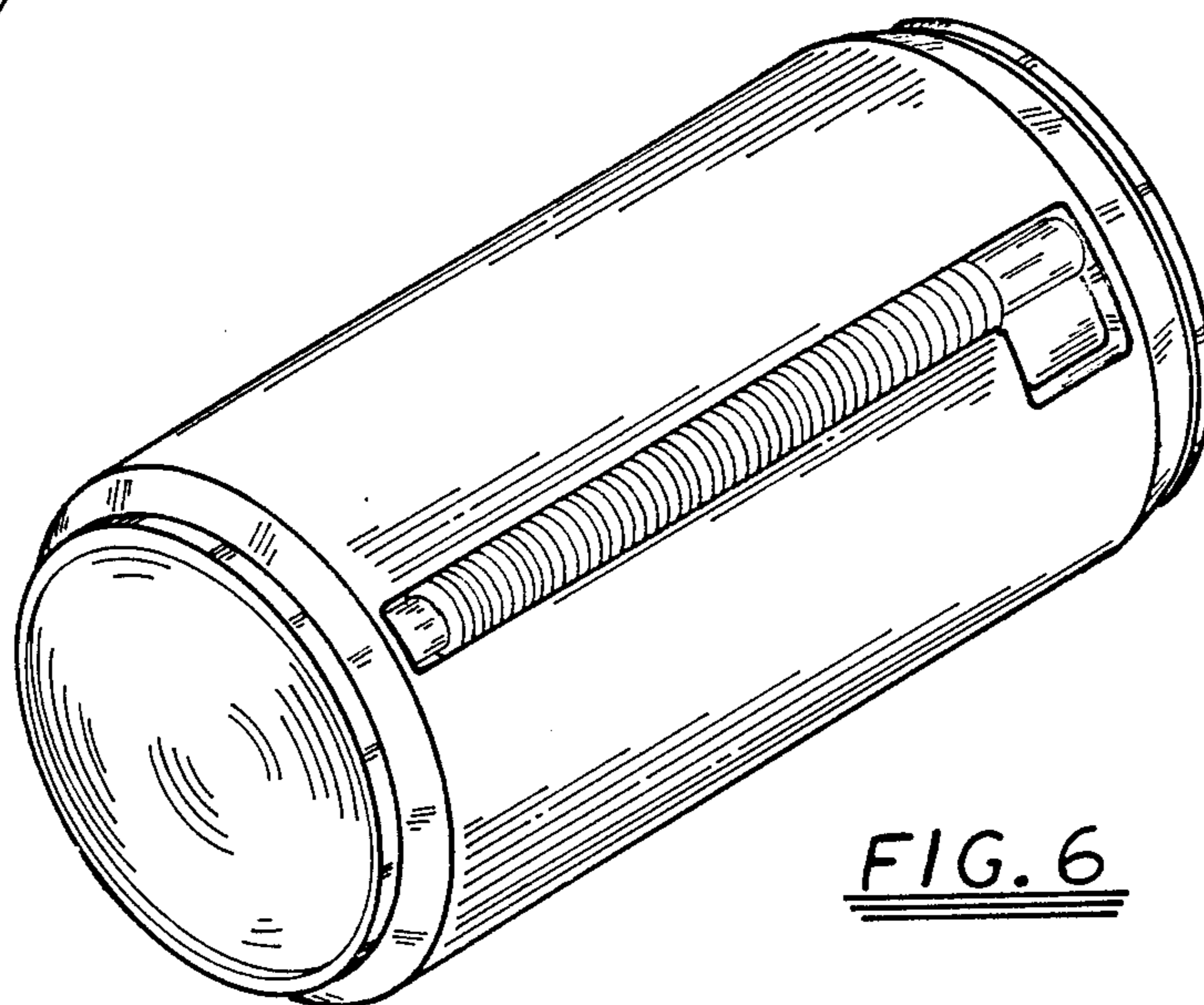


FIG. 6