

[54] SUPPORT FOR A FRAME OF AN OUTDOOR PLAY DEVICE OR THE LIKE

Attorney, Agent, or Firm—Renner, Kenner, Greive, Bobak, Taylor & Weber

[75] Inventor: Joseph A. Powell, Uniontown, Ohio

[57] CLAIM

[73] Assignee: Rainbow Fabrications, Incorporated, Uniontown, Ohio

The ornamental design for a support for a frame of an outdoor play device or the like, as shown and described.

[**] Term: 14 Years

DESCRIPTION

[21] Appl. No.: 64,799

FIG. 1 is a perspective view of a support for a frame of an outdoor play device or the like embodying my new design;

[22] Filed: Jun. 22, 1987

FIG. 2 is a rear elevational view thereof;

[52] U.S. Cl. D8/382; D8/356

FIG. 3 is a right side elevational view thereof, the left side being a mirror image;

[58] Field of Search D8/382, 354, 394; 272/113; 52/272, 275, 276, 279, 280, 285, 288, 690, 696; 403/171, 176, 170, 217, 405.1

FIG. 4 is a top plan view thereof;

FIG. 5 is a bottom plan view thereof;

FIG. 6 is a front elevational view thereof;

[56] References Cited

U.S. PATENT DOCUMENTS

D. 183,982	11/1958	Thompson	D8/394
D. 249,459	9/1978	Halliwell	D8/354
D. 264,049	4/1982	Magner	D8/382
2,330,766	9/1943	Walstrom	403/171
2,705,162	3/1955	Linsky	D8/382
2,711,917	6/1955	Blu	403/171
4,076,431	2/1978	Burvall	403/171
4,190,283	2/1980	Boucher	403/170

FIG. 7 is a perspective view of a second embodiment of the design of FIG. 1, the only difference being the configuration of the lower edge;

FIG. 8 is a front elevational view of FIG. 7;

FIG. 9 is a rear elevational view of FIG. 7;

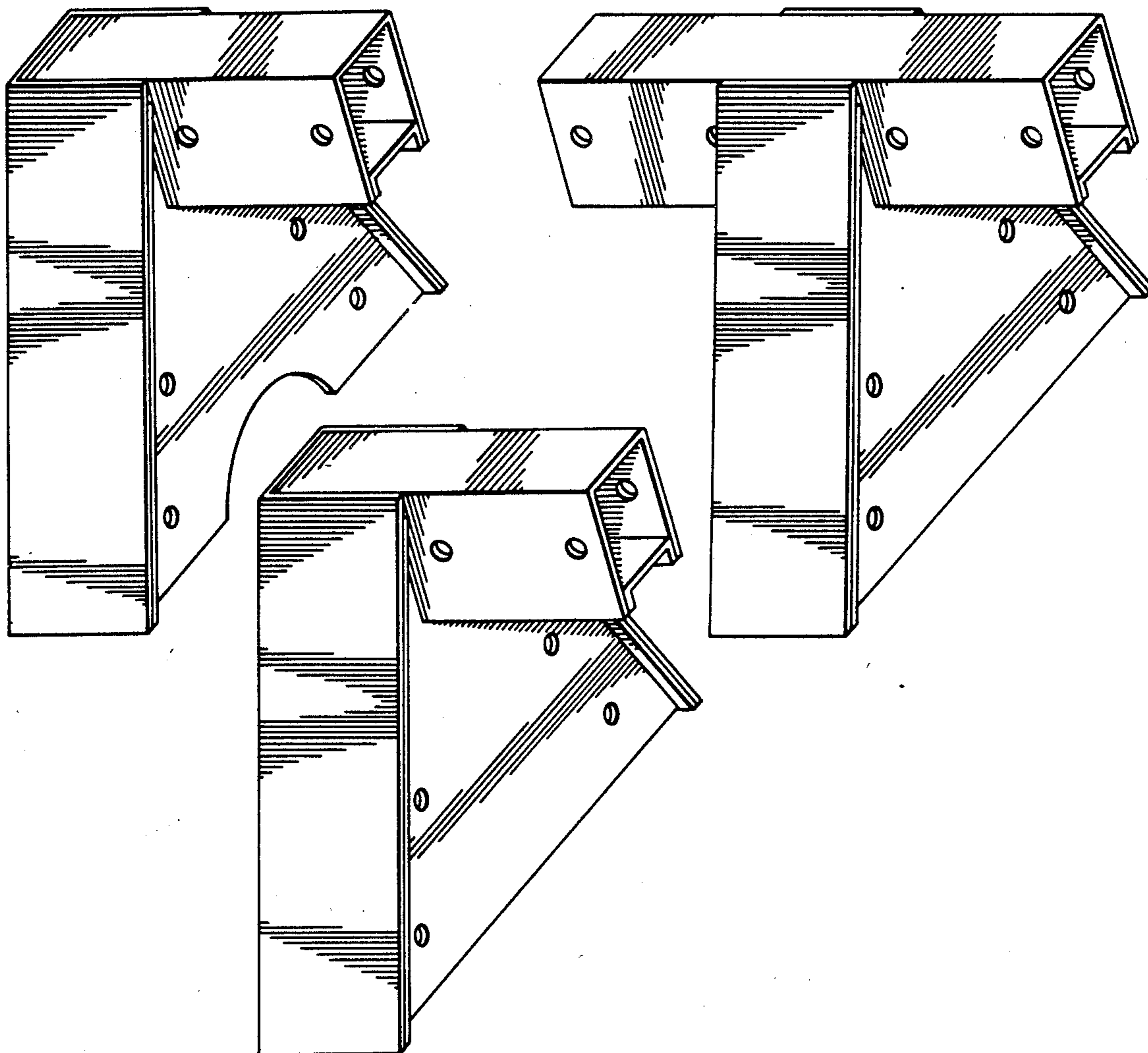
FIG. 10 is a perspective view of a third embodiment of the design of FIG. 1, the only difference being the extension of the horizontal element rearwardly;

FIG. 11 is a top plan view of FIG. 10;

FIG. 12 is a bottom plan view of FIG. 10;

FIG. 13 is a right side elevational view of FIG. 12, the left being a mirror image.

Primary Examiner—B. J. Bullock



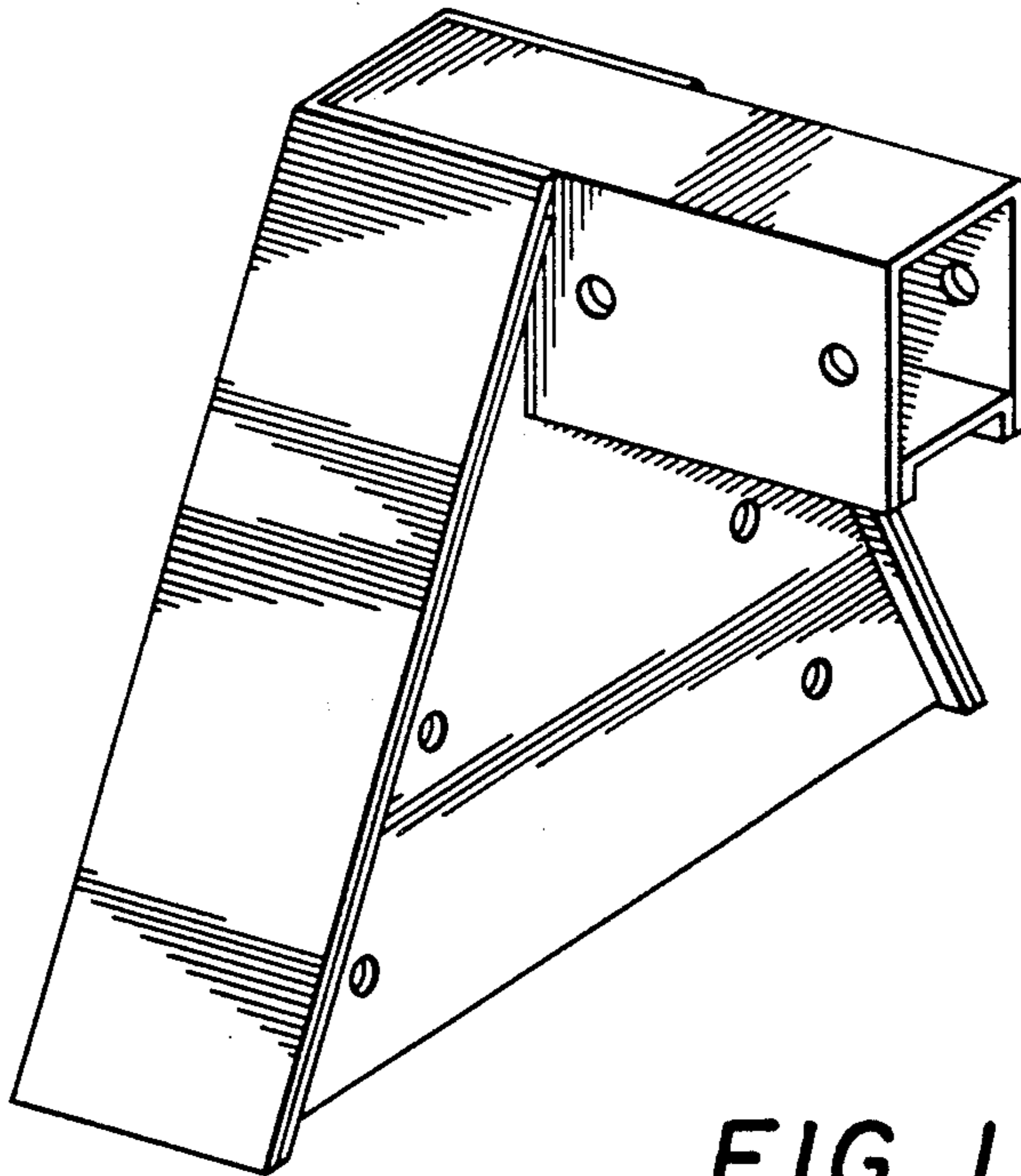


FIG. 1

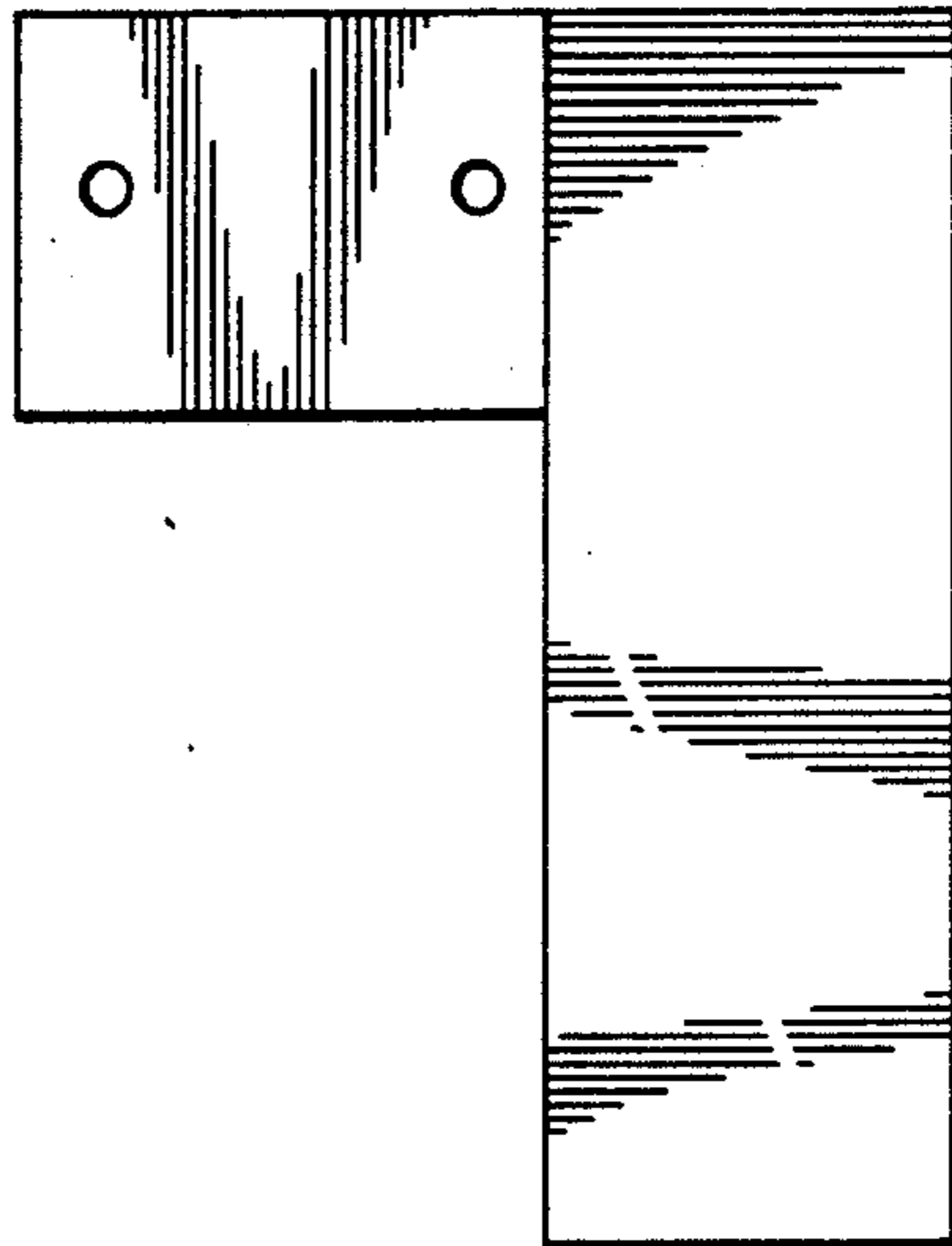


FIG. 3

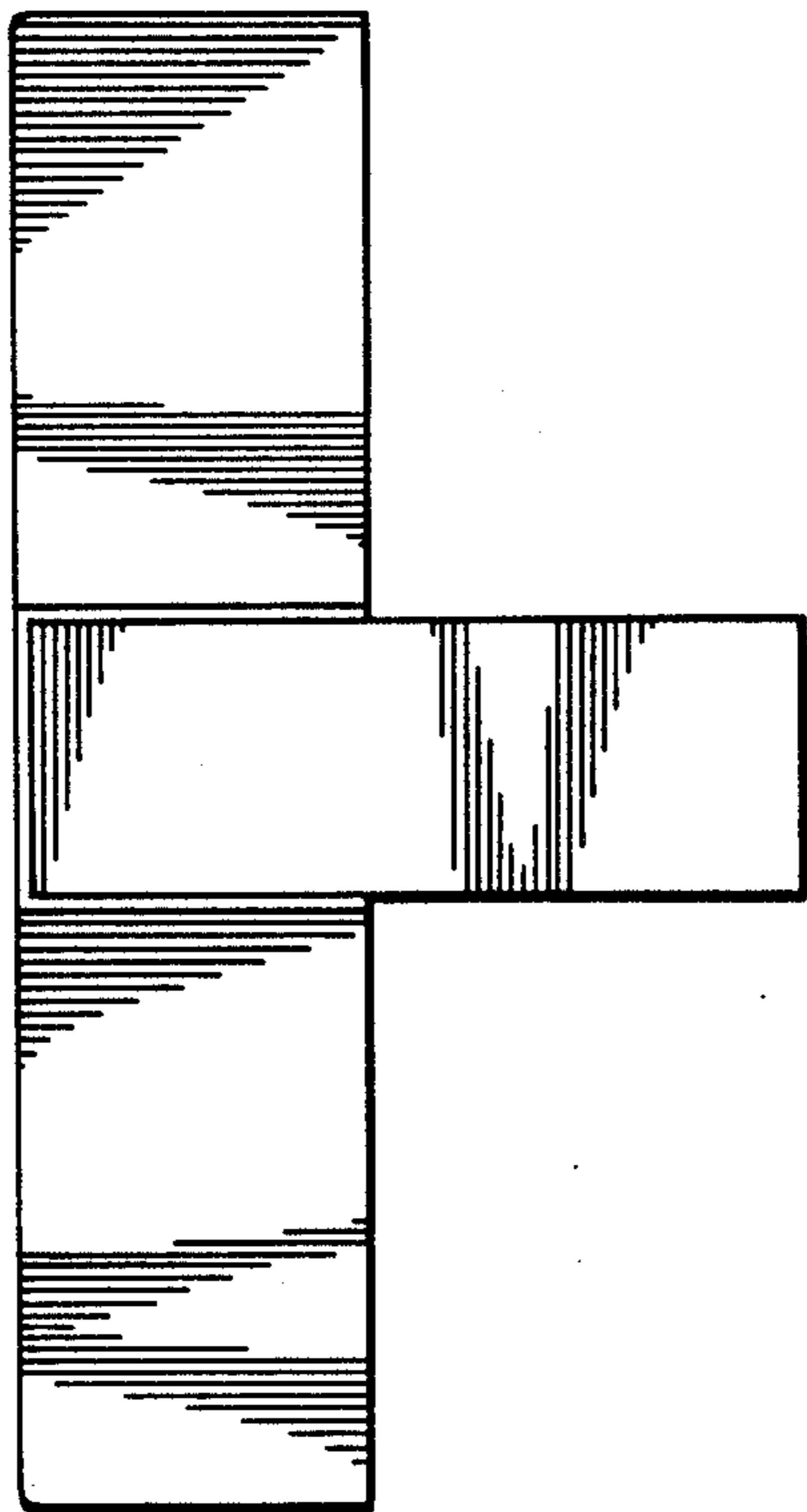


FIG. 4

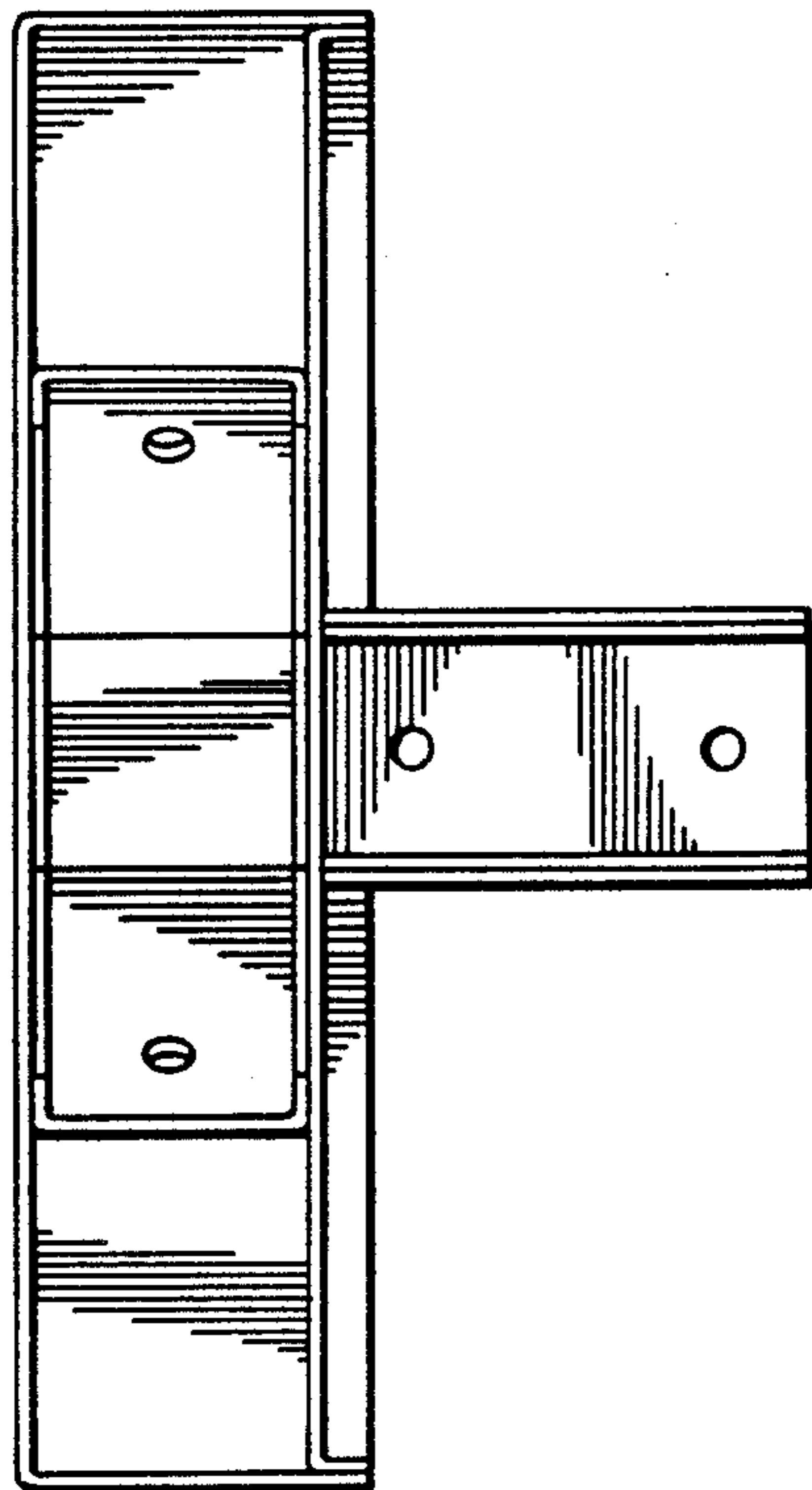


FIG. 5

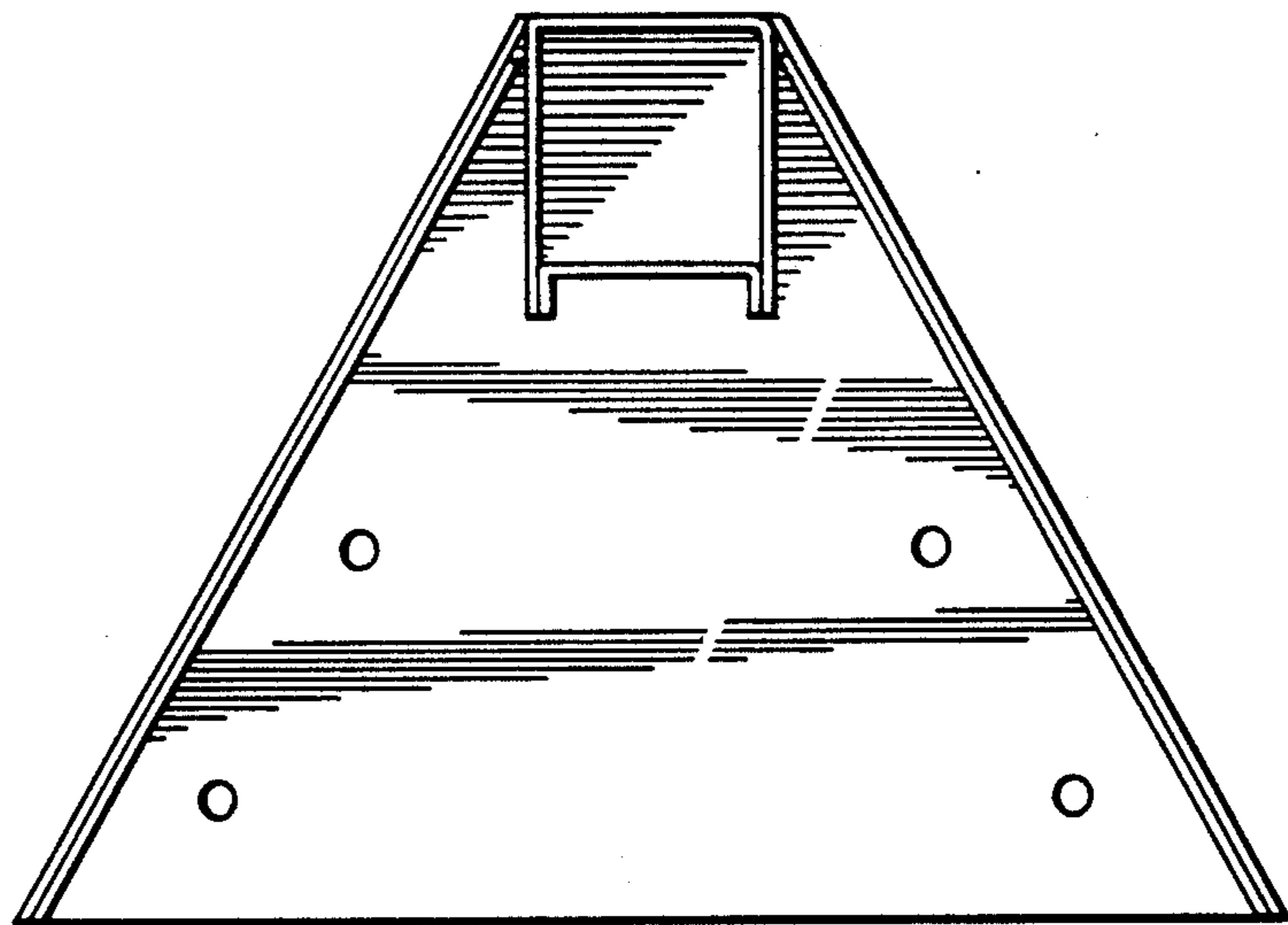


FIG. 6

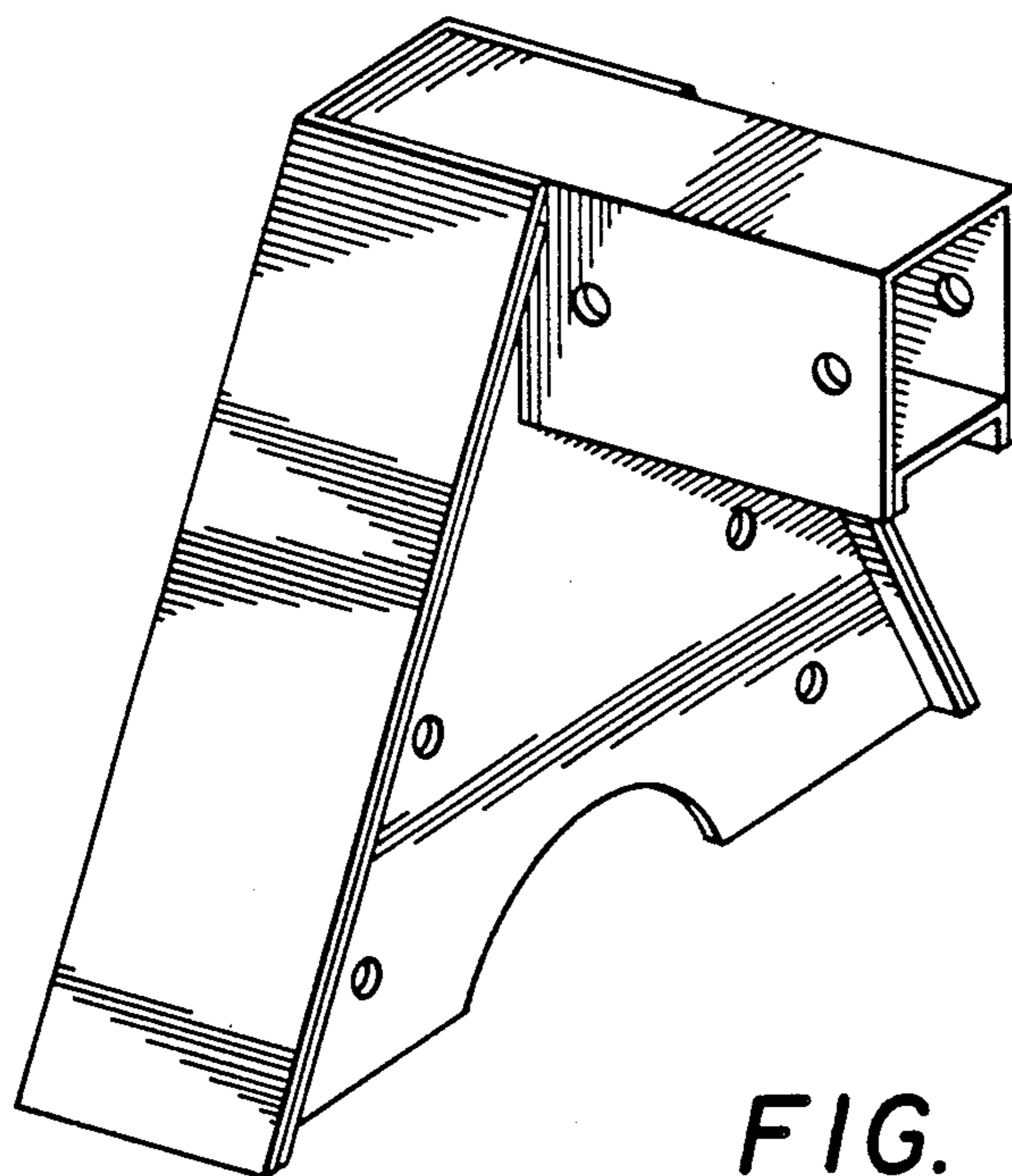


FIG. 7

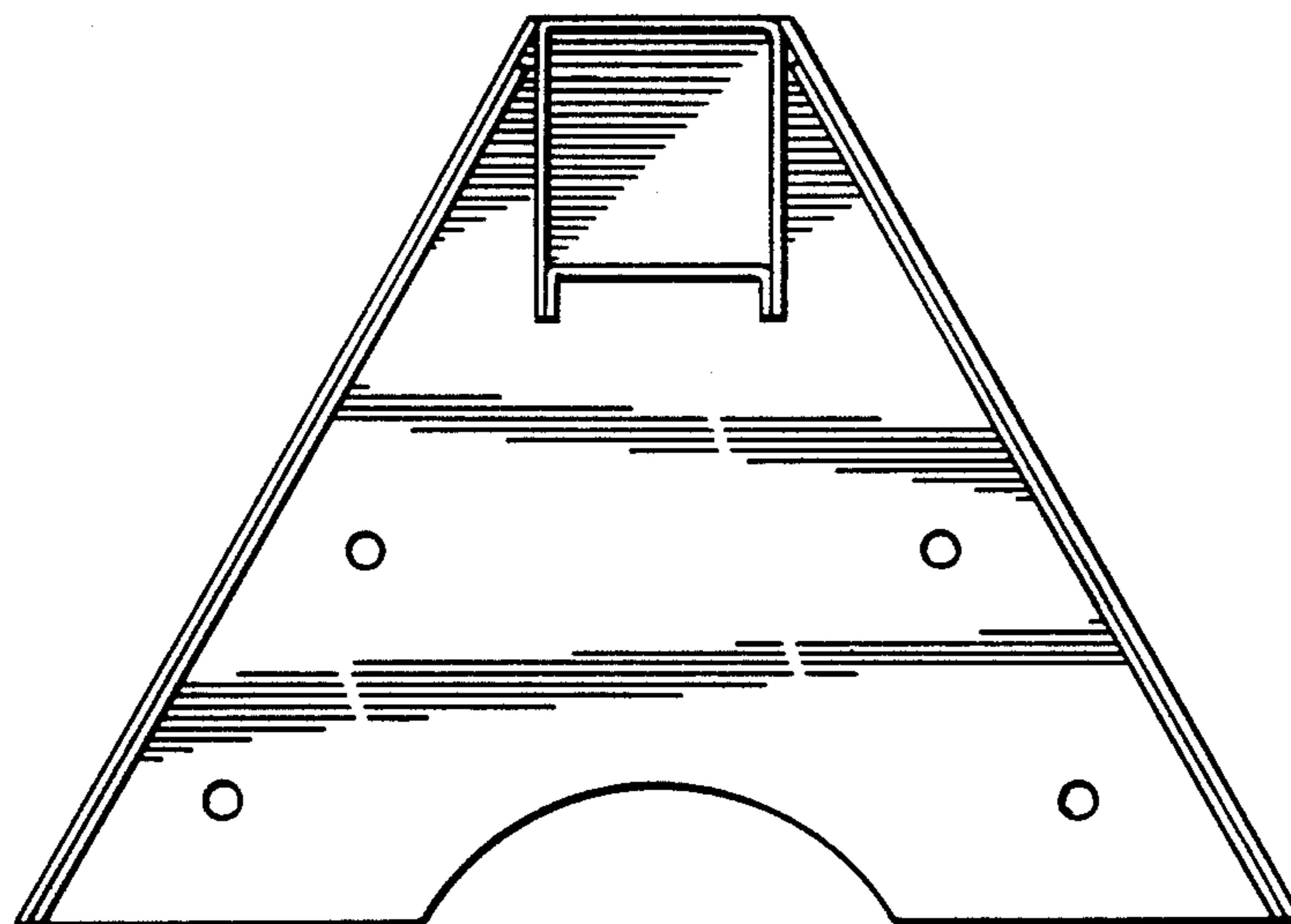


FIG. 8

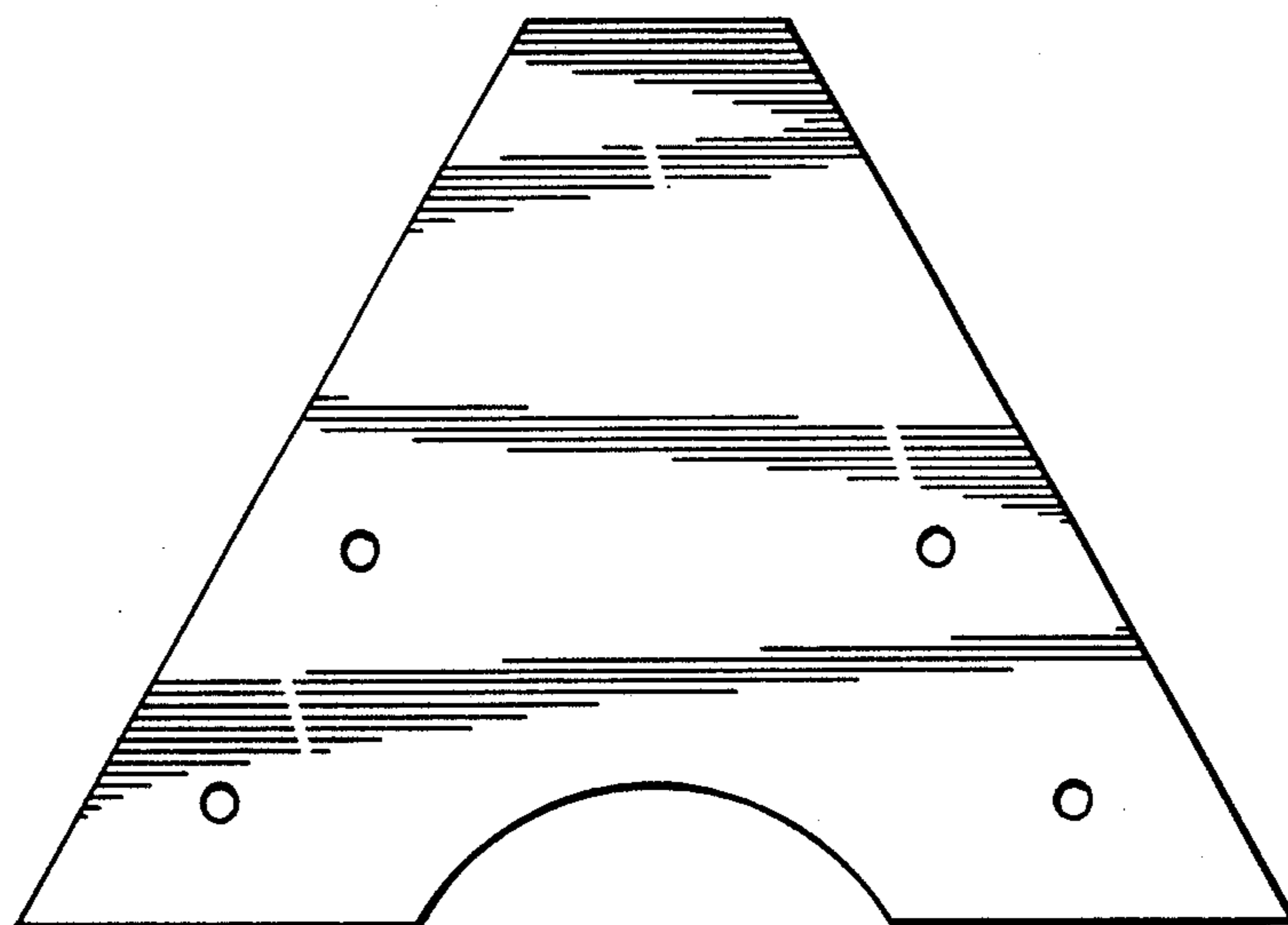


FIG. 9

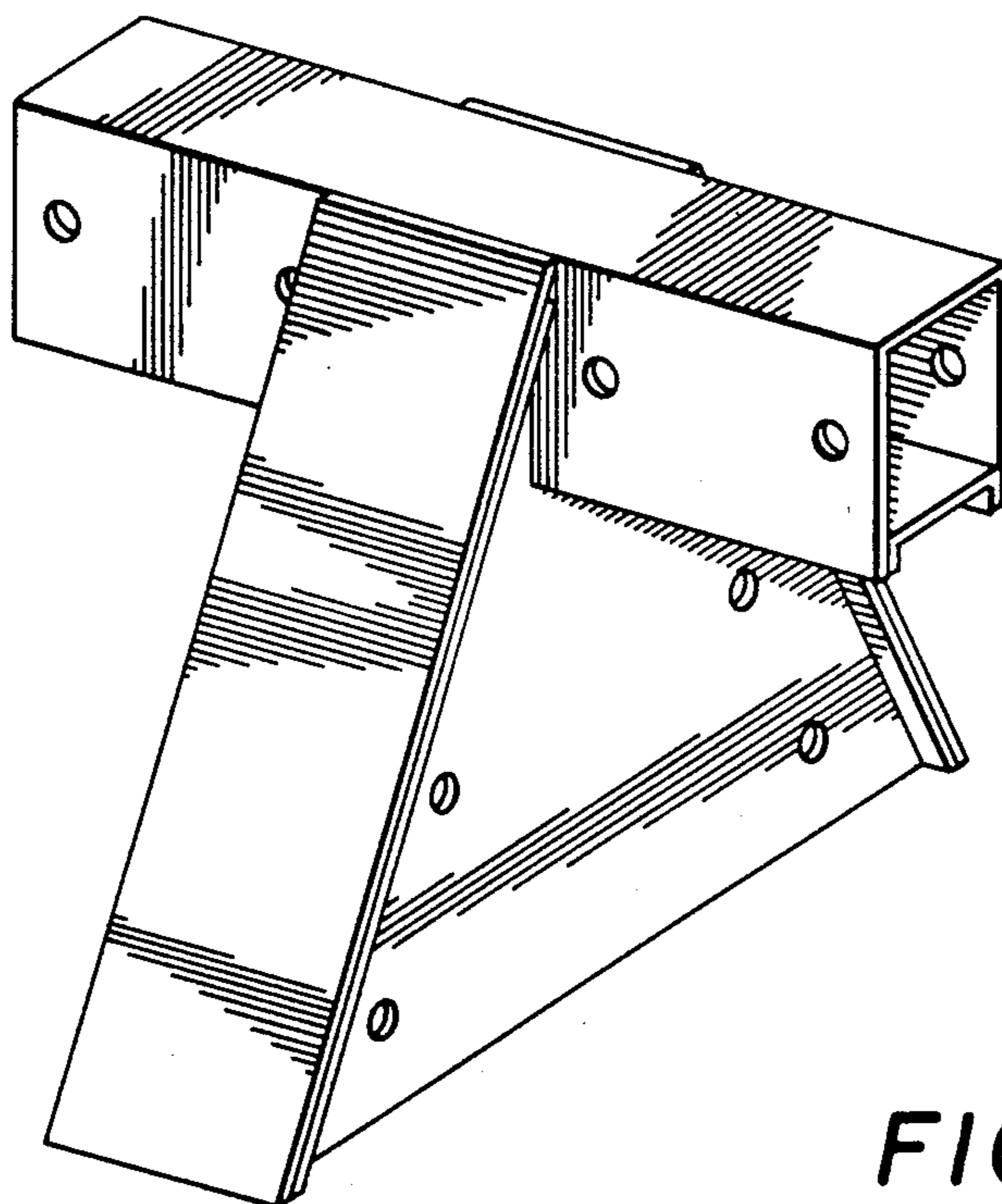


FIG. 10

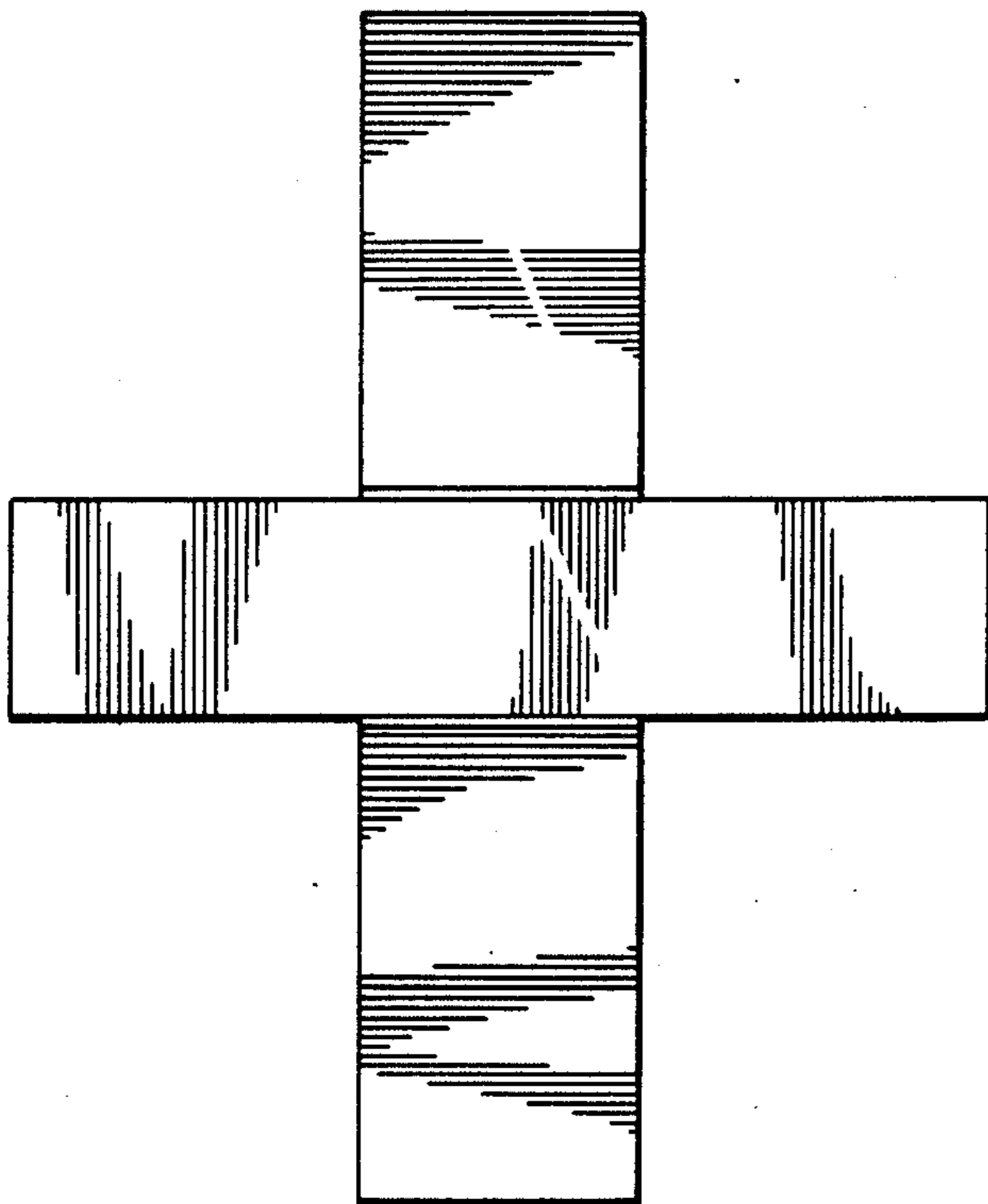


FIG. 11

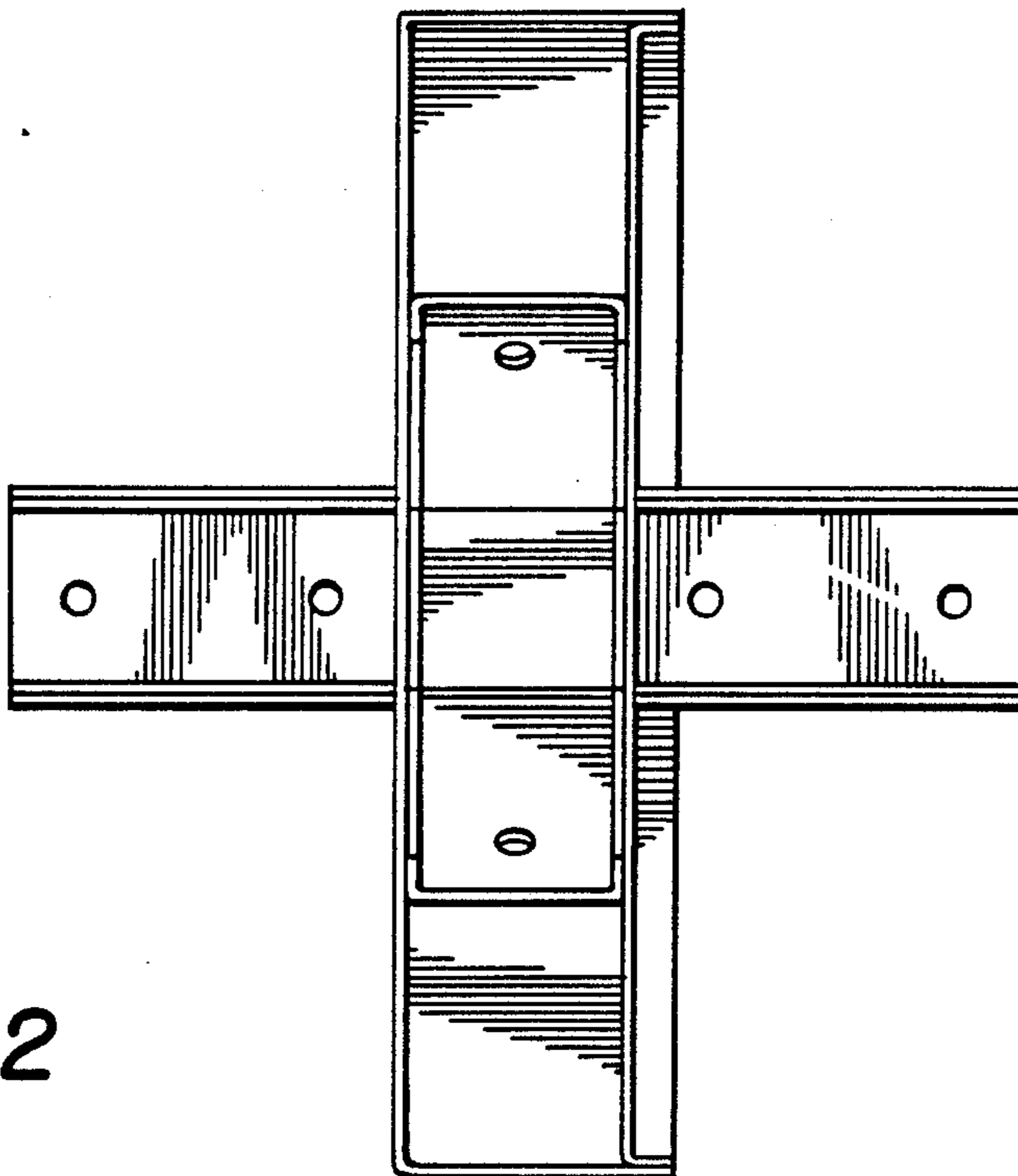


FIG. 12

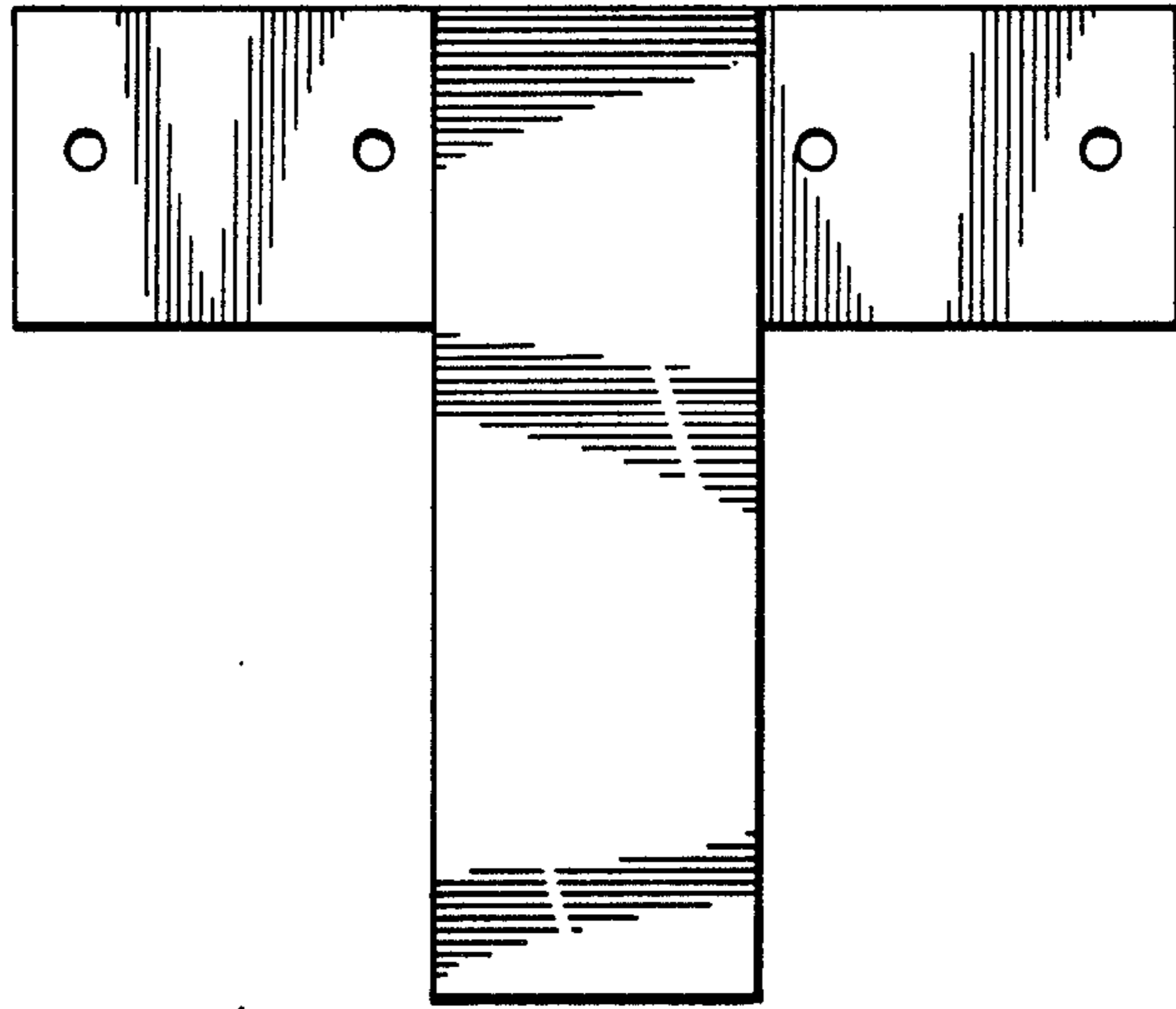


FIG. 13

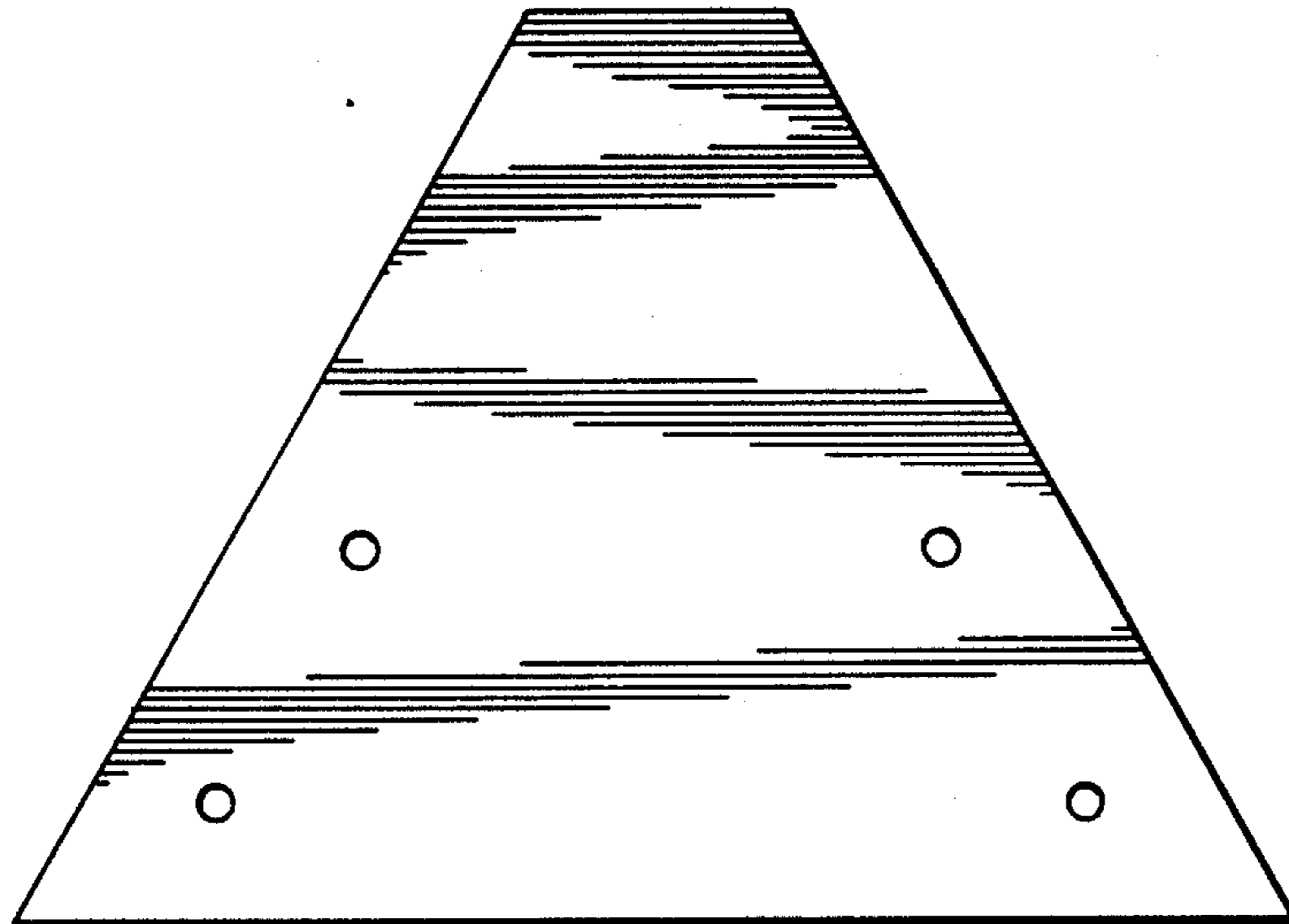


FIG. 2